



US00D937927S

(12) **United States Design Patent**
Odachi

(10) **Patent No.:** **US D937,927 S**

(45) **Date of Patent:** **** Dec. 7, 2021**

(54) **PRINTER**

(71) Applicant: **CANON KABUSHIKI KAISHA,**
Tokyo (JP)

(72) Inventor: **Ayaka Odachi,** Tokyo (JP)

(73) Assignee: **Canon Kabushiki Kaisha,** Tokyo (JP)

(**) Term: **15 Years**

(21) Appl. No.: **29/761,939**

(22) Filed: **Dec. 14, 2020**

Related U.S. Application Data

(62) Division of application No. 29/667,686, filed on Oct. 24, 2018.

(30) **Foreign Application Priority Data**

Apr. 25, 2018 (JP) 2018-009139

(51) **LOC (13) Cl.** **14-02**

(52) **U.S. Cl.**
USPC **D18/56**

(58) **Field of Classification Search**
USPC D18/18, 41, 56; D14/218; D13/168
CPC B41J 15/12; B41J 15/42; G06F 3/02
See application file for complete search history.

(56) **References Cited**

U.S. PATENT DOCUMENTS

D466,551 S	‡	12/2002	Nagai	D18/50
D487,286 S	*	3/2004	Hoshiya	D14/248
D556,821 S	*	12/2007	Horiguchi	D18/41
D688,214 S	*	8/2013	Ducret	D13/168
D730,979 S	*	6/2015	Anantha	D18/50
D744,028 S		11/2015	Odachi		
D760,177 S	*	6/2016	Gassner	D13/168
D770,316 S	*	11/2016	Wilkinson	D10/106.2
D784,934 S	*	4/2017	Fretz	D13/168

D822,759 S	‡	7/2018	Yamamoto	D18/50
D844,052 S	‡	3/2019	Oishi	D18/50
D851,698 S	*	6/2019	Oishi	D18/50
D896,786 S	*	9/2020	Yang	D14/218
D897,970 S	*	10/2020	Beilfuss	D13/162
D899,382 S	*	10/2020	Dong	D13/168
D902,180 S	*	11/2020	Shigeta	D14/218
D903,758 S		12/2020	Odachi		
D903,759 S		12/2020	Odachi		
D908,169 S	*	1/2021	Ikeda	D18/43
2012/0326987 A1	*	12/2012	Frojd	G06F 3/0202 345/168
2020/0098482 A1	*	3/2020	Groves	G06F 3/02

OTHER PUBLICATIONS

Canon—PIXMA MegaTank G5020 Wireless Inkjet Printer, posted NA [online], (retrieved Feb. 3, 2021). Retrieved from the internet, <https://www.bestbuy.com/site/canon-pixma-megatank-g5020-wireless-inkjet-printer-black/6356232.p?skuId=6356232> (Year: NA) (Year: NA).*

Co-pending Design U.S. Appl. No. 29/740,769, filed Jul. 7, 2020.

* cited by examiner

‡ imported from a related application

Primary Examiner — Kevin K Rudzinski

Assistant Examiner — J. Thorn, Sr.

(74) *Attorney, Agent, or Firm* — Venable LLP

(57) **CLAIM**

The ornamental design for a printer, as shown and described.

DESCRIPTION

FIG. 1 is a perspective view of a printer showing my new design;

FIG. 2 is a front view thereof; and,

FIG. 3 is an enlarged front view of a window portion thereof. The broken lines in the drawings illustrate portions of the printer which form no part of the claimed design.

1 Claim, 2 Drawing Sheets

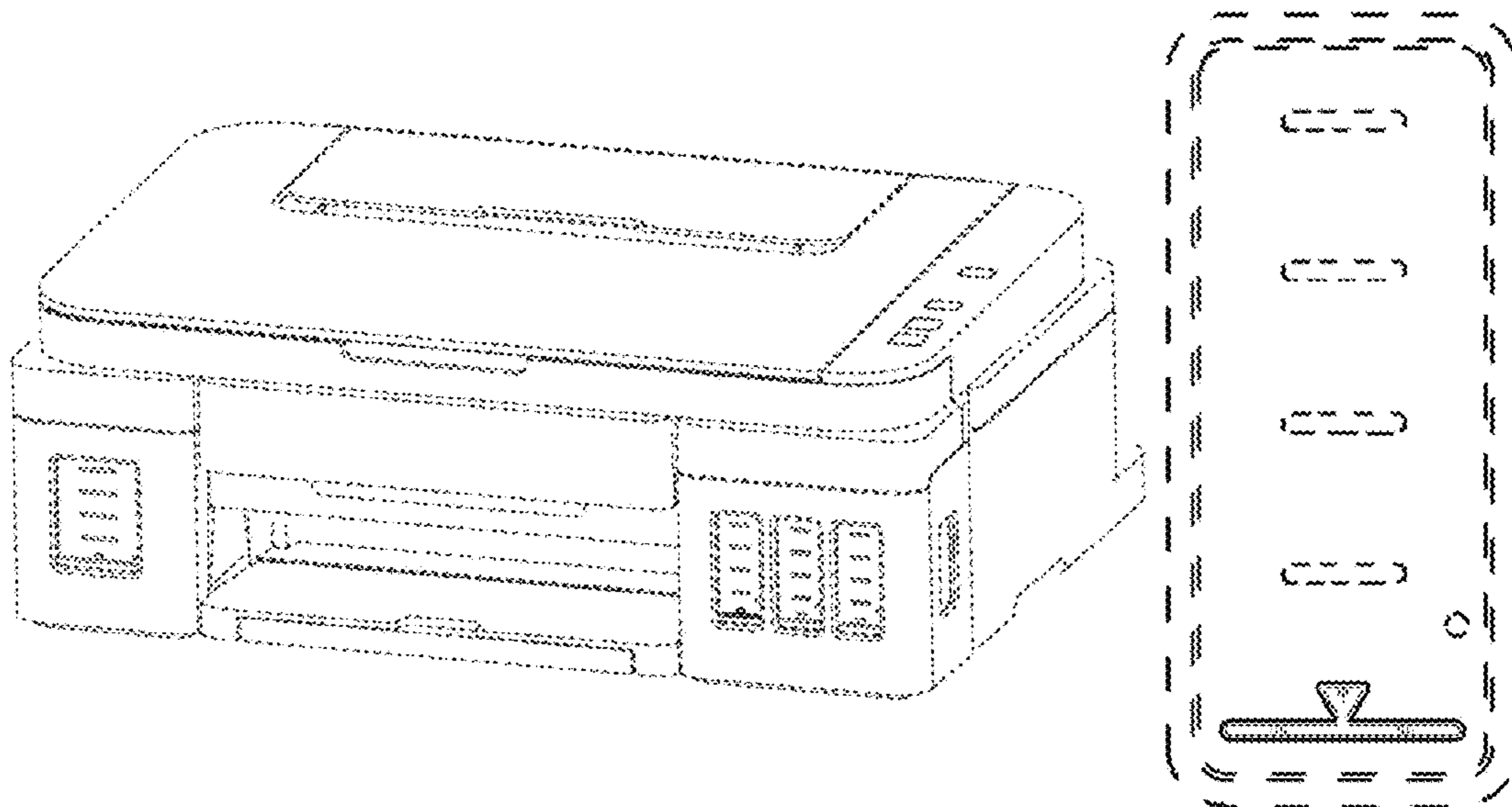


FIG. 1

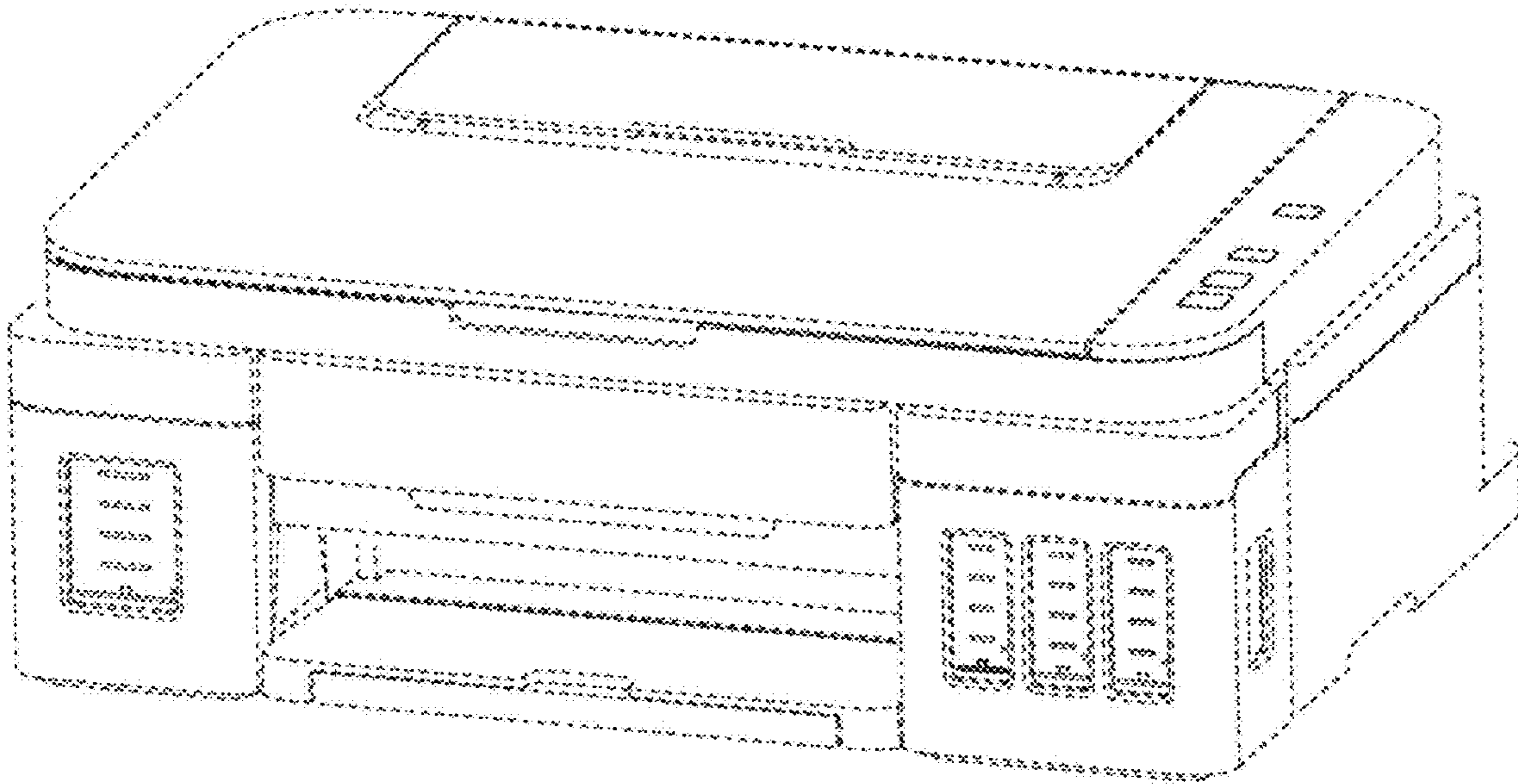


FIG. 2

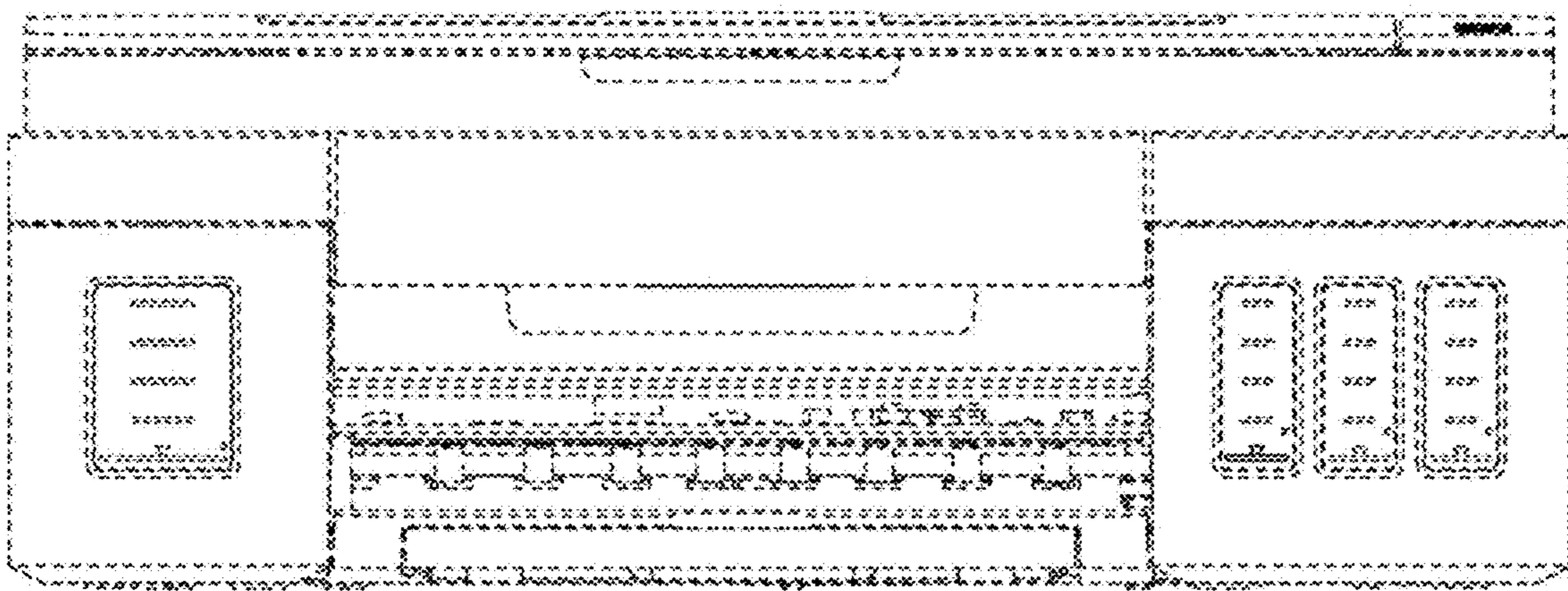


FIG. 3

