



US00D937926S

(12) **United States Design Patent** (10) **Patent No.:** **US D937,926 S**
Nagaoka et al. (45) **Date of Patent:** **** *Dec. 7, 2021**

(54) **CAMERA LENS**

FOREIGN PATENT DOCUMENTS

(71) Applicant: **Nikon Corporation**, Tokyo (JP)

JP S60-39212 B2 9/1985
JP 992668-003 S 2/1999

(72) Inventors: **Koji Nagaoka**, Tokyo (JP); **Osamu Katsuda**, Tokyo (JP)

(Continued)

(73) Assignee: **Nikon Corporation**, Tokyo (JP)

OTHER PUBLICATIONS

(*) Notice: This patent is subject to a terminal disclaimer.

Office Action for U.S. Appl. No. 29/642,048, dated Jan. 30, 2019.
(Continued)

(**) Term: **15 Years**

Primary Examiner — Ramzi S Almatrahi
(74) *Attorney, Agent, or Firm* — Wolf, Greenfield & Sacks, P.C.

(21) Appl. No.: **29/750,727**

(22) Filed: **Sep. 16, 2020**

(57) **CLAIM**

Related U.S. Application Data

The ornamental design for a camera lens, as shown and described.

(63) Continuation of application No. 29/732,928, filed on Apr. 28, 2020, now Pat. No. Des. 898,104, which is
(Continued)

DESCRIPTION

(30) **Foreign Application Priority Data**

Sep. 27, 2017 (JP) 2017-021215
Sep. 27, 2017 (JP) 2017-021216

FIG. 1 is a rear, top and right side perspective view of a camera lens showing our new design;
FIG. 2 is a front, bottom and right side perspective view thereof;
FIG. 3 is a front view thereof;
FIG. 4 is a rear view thereof;
FIG. 5 is a top plan view thereof;
FIG. 6 is a bottom plan view thereof;
FIG. 7 is a right side view thereof;
FIG. 8 is an enlarged view showing a portion defined by lines 8-8 in FIG. 1; and,
FIG. 9 is an enlarged view showing a portion defined by lines 9-9 in FIG. 2.
The broken lines illustrate portions of the camera lens that form no part of the claimed design. The dash-dotted lines denote the boundary of the claim and form no part of the claimed design.

(51) **LOC (13) Cl.** **16-05**
(52) **U.S. Cl.**
USPC **D16/219**

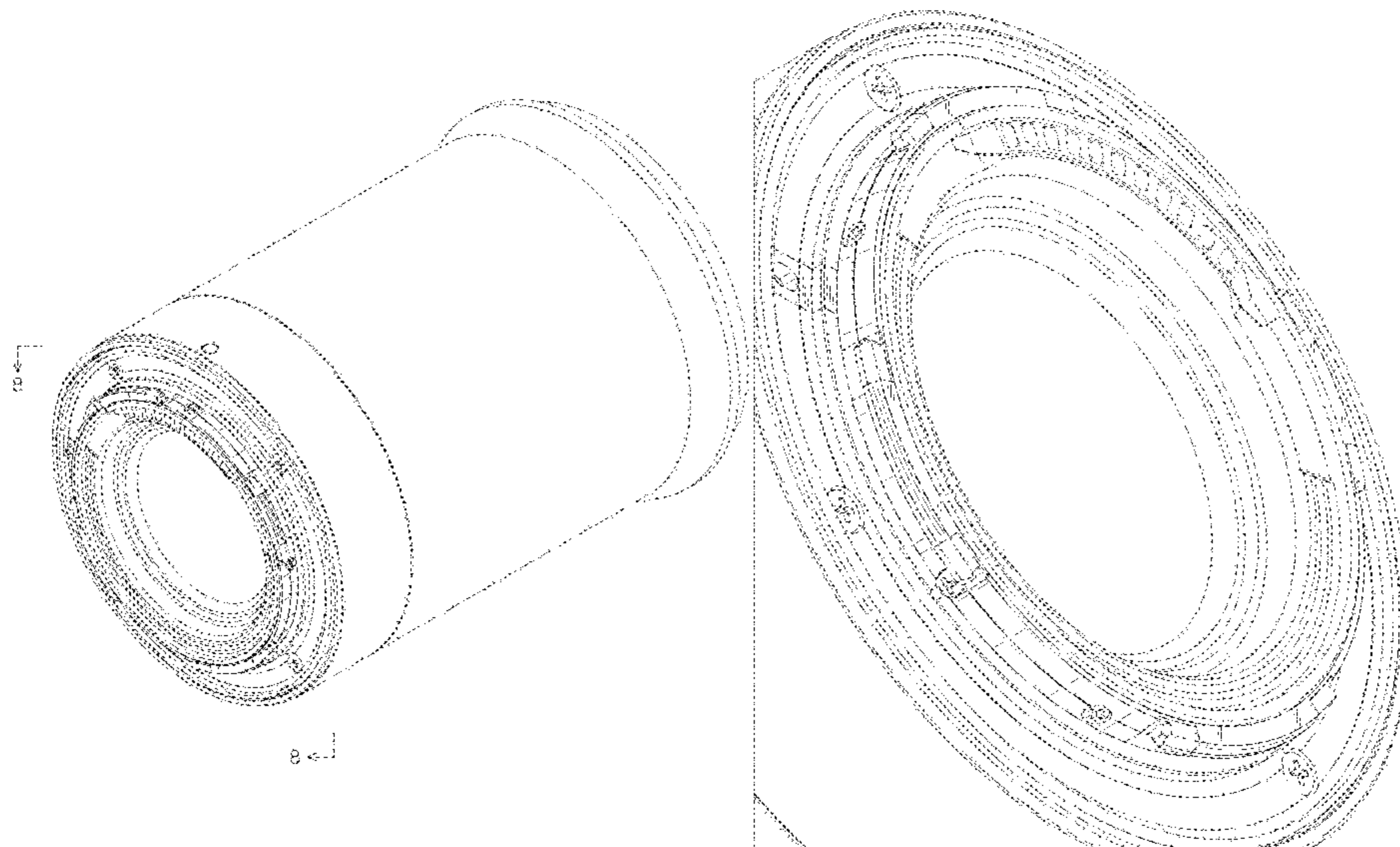
(58) **Field of Classification Search**
USPC D16/134, 136, 200, 202-205, 218, 219;
348/373-376; 359/826-828; 396/25,
396/505, 529-532, 535, 539-541
(Continued)

(56) **References Cited**

U.S. PATENT DOCUMENTS

D546,363 S 7/2007 Tokiwa et al.
D546,863 S 7/2007 Ito et al.
(Continued)

1 Claim, 9 Drawing Sheets



Related U.S. Application Data

a continuation-in-part of application No. 29/642,042, filed on Mar. 27, 2018, now Pat. No. Des. 885,463.

(58) **Field of Classification Search**

CPC G03B 17/02; G03B 19/04; G03B 17/56; G03B 17/04; G03B 15/03; G03B 17/14; H04N 5/2251; H04N 5/2252; H04N 5/2253; H04N 5/2254; G02B 7/02; G02B 7/04; G02B 7/14

See application file for complete search history.

(56) **References Cited**

U.S. PATENT DOCUMENTS

D549,264 S 8/2007 Tokiwa
 D631,496 S 1/2011 Tainaka
 7,988,372 B2 8/2011 Lee et al.
 D648,363 S 11/2011 Takagi et al.
 D657,408 S 4/2012 Tainaka
 D670,751 S 11/2012 Koyama et al.
 D671,976 S 12/2012 Akita et al.
 D676,475 S 2/2013 Tainaka
 D681,090 S 4/2013 Tainaka
 D681,710 S 5/2013 Sato
 D688,292 S 8/2013 Koyama et al.
 D692,475 S 10/2013 Hasuda
 D695,807 S 12/2013 Tainaka
 D695,808 S 12/2013 Takahashi
 D696,709 S 12/2013 Sato
 D698,838 S 2/2014 Tainaka
 D698,839 S 2/2014 Sato
 D698,842 S 2/2014 Hasuda
 D698,843 S 2/2014 Hasuda
 D698,844 S 2/2014 Hasuda
 D699,773 S 2/2014 Hasuda
 D705,335 S 5/2014 Oikawa et al.
 D705,841 S 5/2014 Hasuda
 D706,326 S 6/2014 Hasuda
 D706,853 S 6/2014 Hasuda
 D718,361 S 11/2014 Noh
 D721,117 S 1/2015 Hasuda
 D726,240 S 4/2015 Oikawa et al.
 D727,989 S 4/2015 Hasuda
 D727,994 S 4/2015 Hasuda
 D729,862 S 5/2015 Awazu et al.

D731,577 S 6/2015 Hasuda
 D732,101 S 6/2015 Hasuda
 D732,102 S 6/2015 Hasuda
 D741,938 S 10/2015 Lee et al.
 D745,591 S 12/2015 Oh
 D750,152 S 2/2016 Awazu et al.
 D776,742 S 1/2017 Awazu et al.
 D780,822 S 3/2017 Awazu et al.
 D786,954 S 5/2017 Tagawa et al.
 D822,750 S 7/2018 Yoon
 D822,751 S 7/2018 Kim
 D831,093 S 10/2018 Tokiwa et al.
 D837,276 S 1/2019 Ikegame
 D837,277 S 1/2019 Ikegame
 D838,765 S 1/2019 Tokiwa et al.
 D838,766 S 1/2019 Tokiwa et al.
 D870,185 S 12/2019 Nagaoka et al.
 D873,327 S 1/2020 Weber et al.
 D885,463 S 5/2020 Nagaoka et al.
 D900,196 S * 10/2020 Tamura D16/219
 D900,197 S * 10/2020 Tamura D16/219
 D903,741 S * 12/2020 Kim D16/219
 2013/0265664 A1 10/2013 Iinuma et al.

FOREIGN PATENT DOCUMENTS

JP 992668-004 S 2/1999
 JP 3511229 B2 3/2004

OTHER PUBLICATIONS

[No Author Listed] Leica Updates Firmware for Its S Type 006 Camera—Download Version 2.4.0.0. SoftNews Net SRL. <https://drivers.softpedia.com/blog/Leica-Updates-Firmware-for-Its-S-Type-006-Camera-Download-Version-2-4-0-0-459046.shtml>, 5 pages, Sep. 17, 2014.
 [No Author Listed] The first full-frame mirrorless camera from Leica “Leica SL.” Impress Corporation. <https://dc.watch.impress.co.jp/docs/news/726618.html>, 12 pages, Oct. 21, 2015.
 [No Author Listed] The Lens Mount Guide: Part 1. KEH Camera. <http://blog.keh.com/the-lens-mount-guide-part-1/>, 12 pages, Dec. 2, 2011.
 [No Author Listed] The Lens Mount Guide: Part 3. KEH Camera. <http://blog.keh.com/the-lens-mount-guide-part-3/>, 12 pages, Dec. 16, 2011.

* cited by examiner

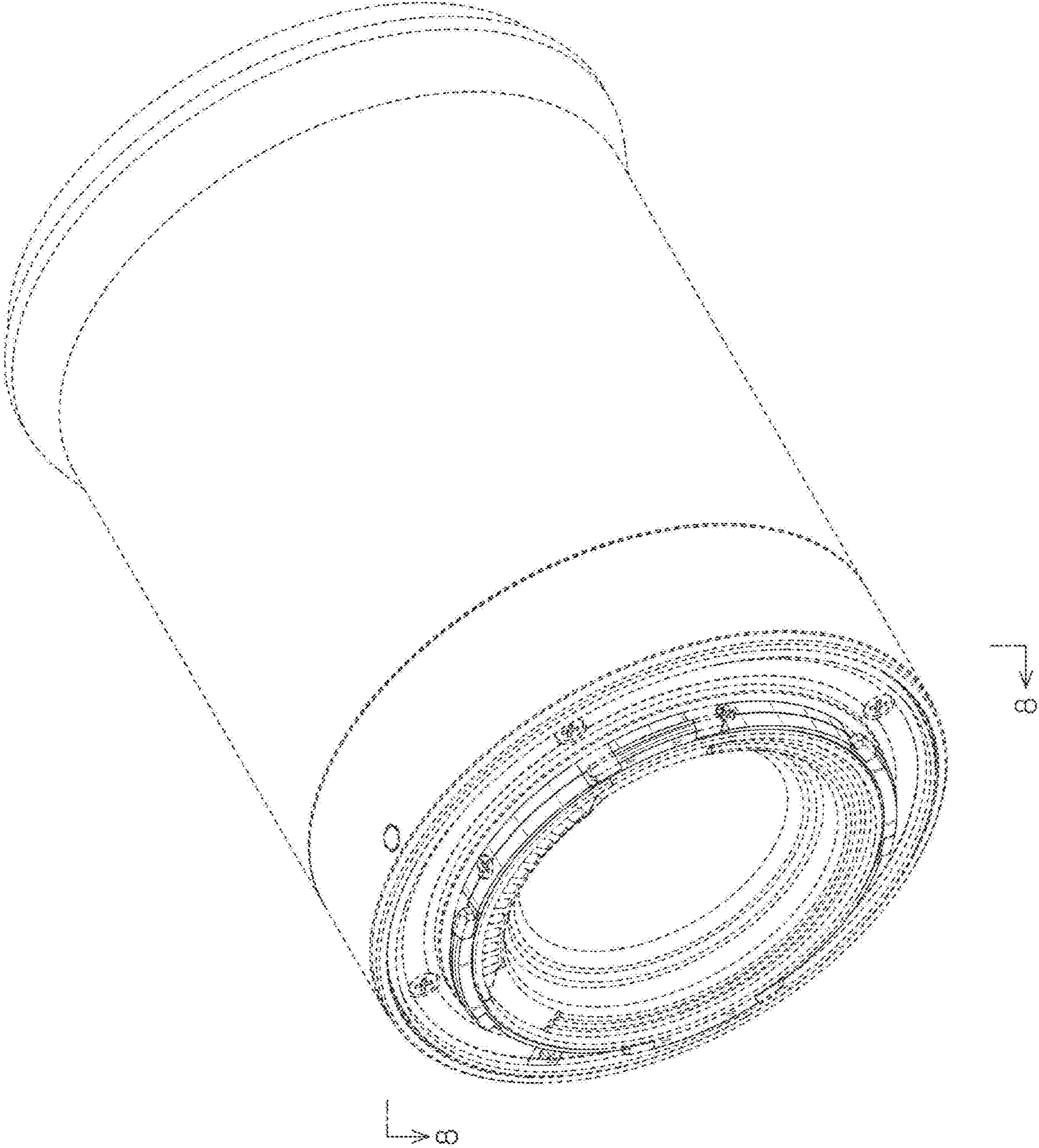


FIG. 1

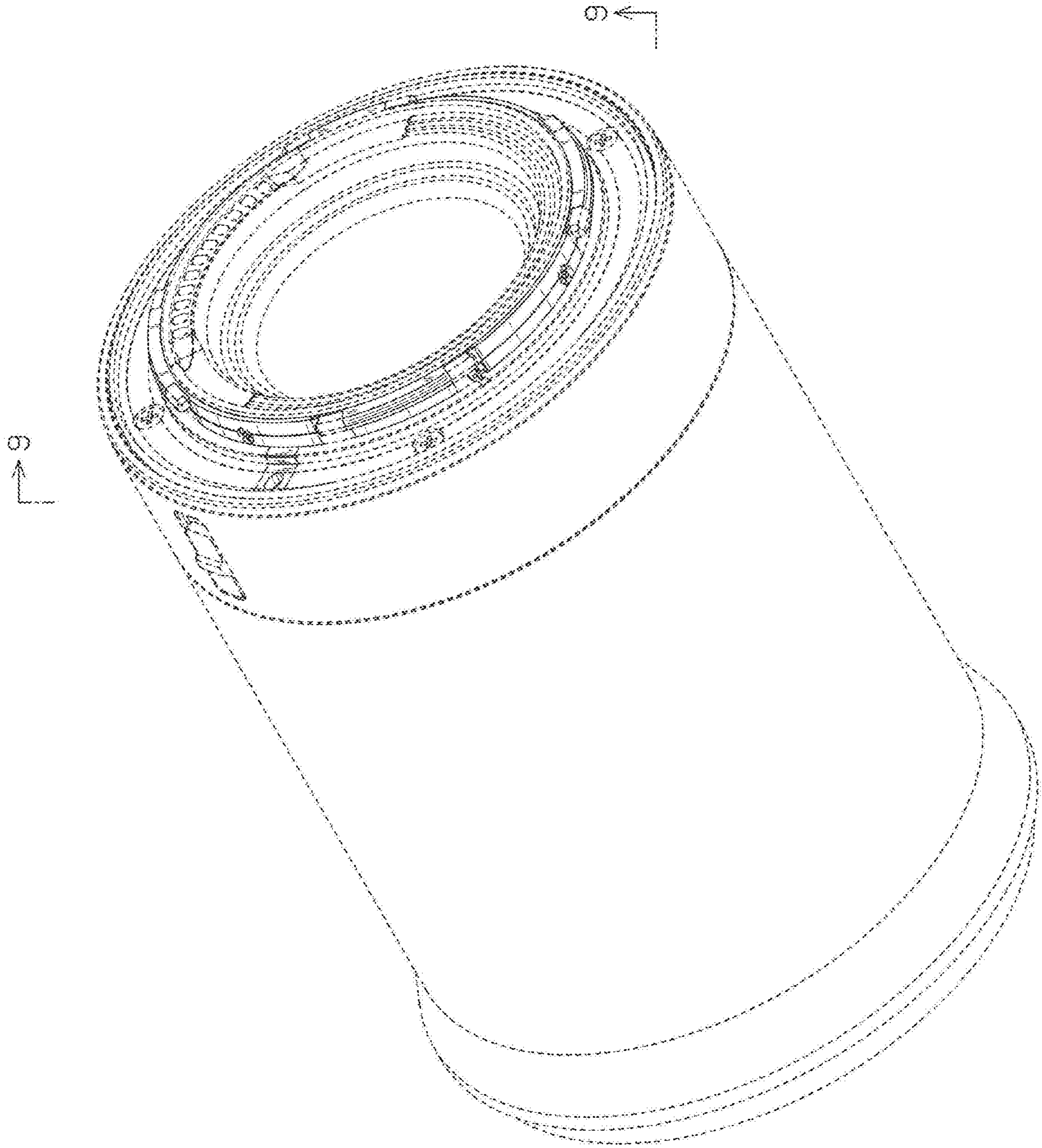


FIG. 2

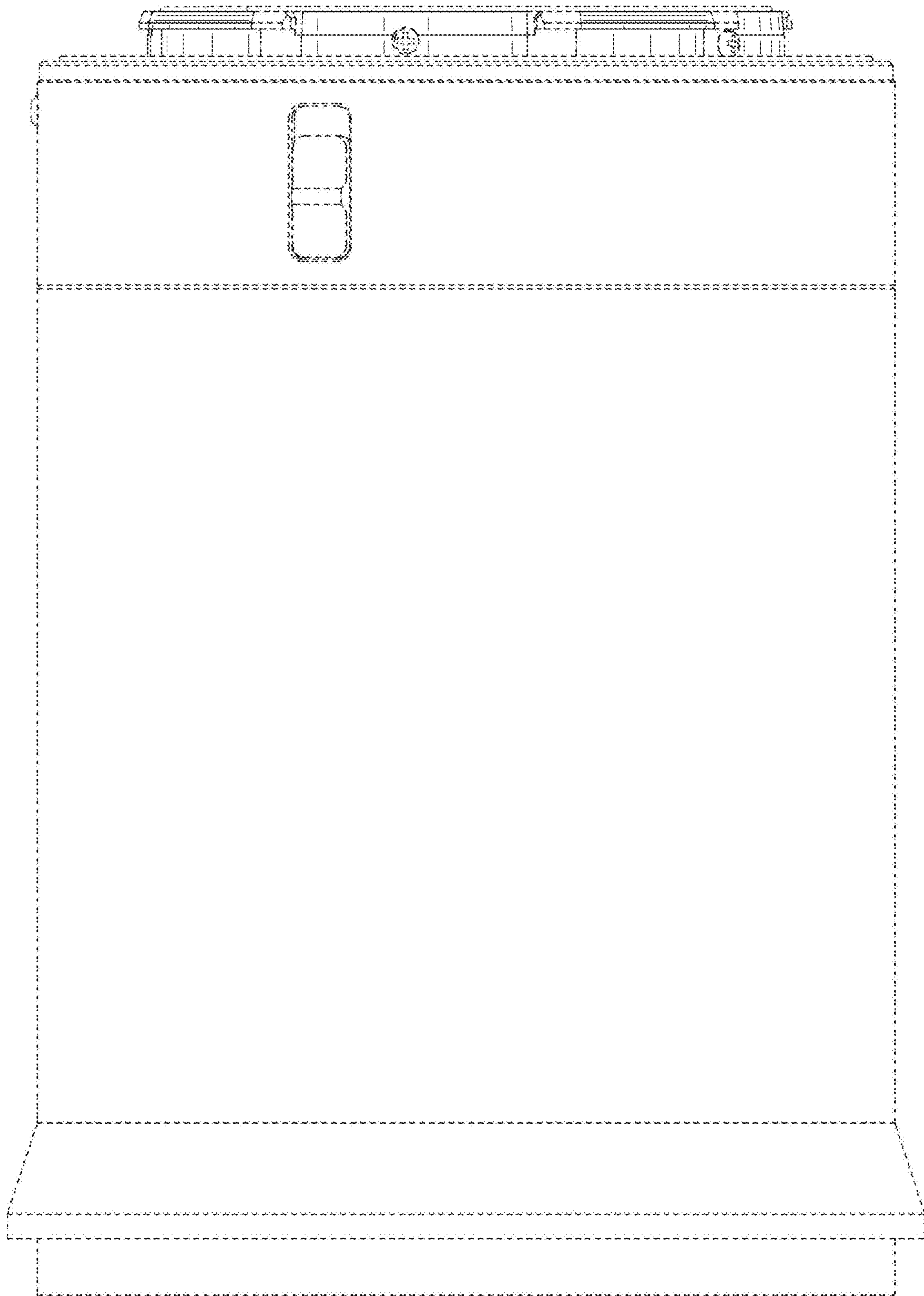


FIG.3

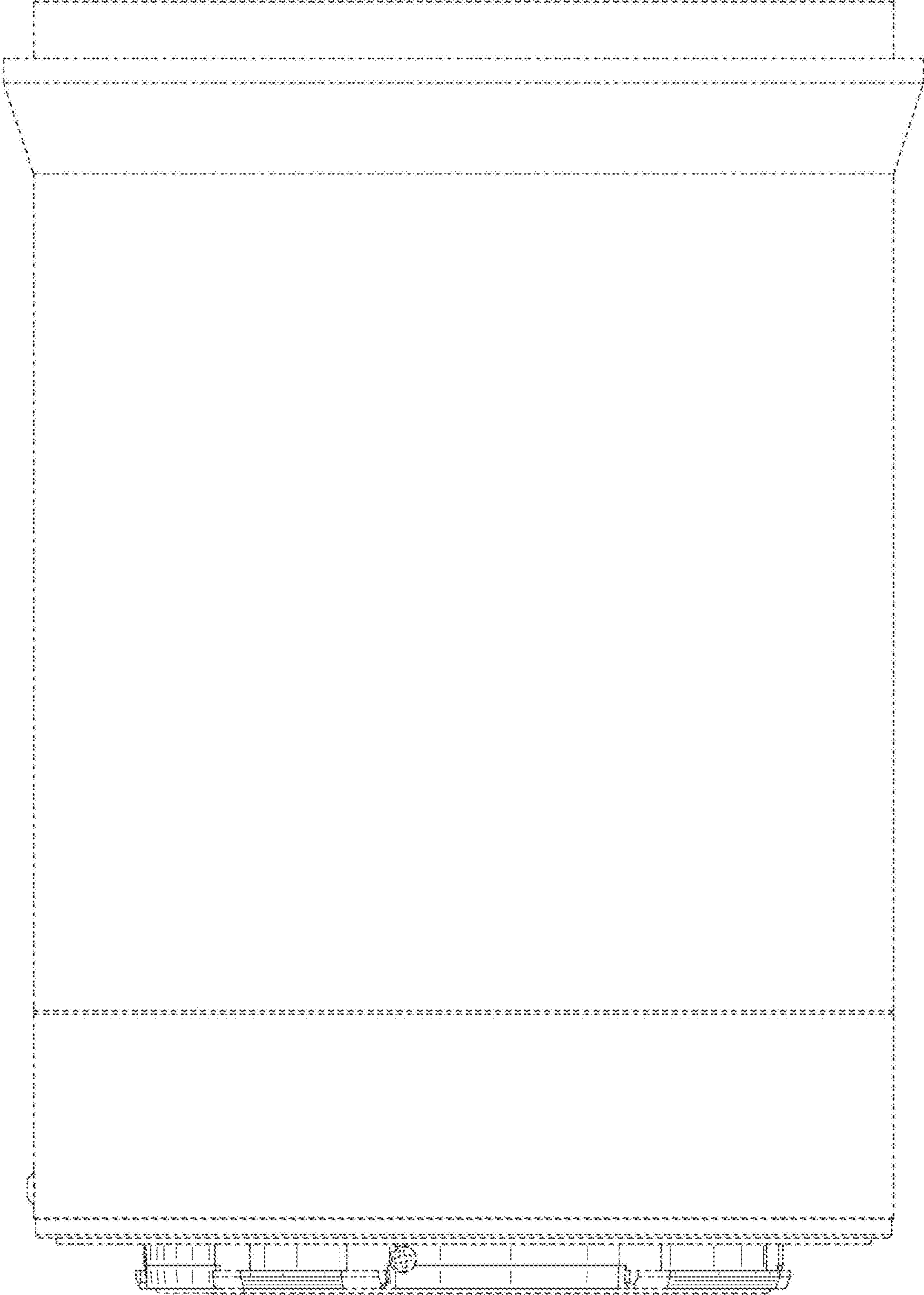


FIG.4

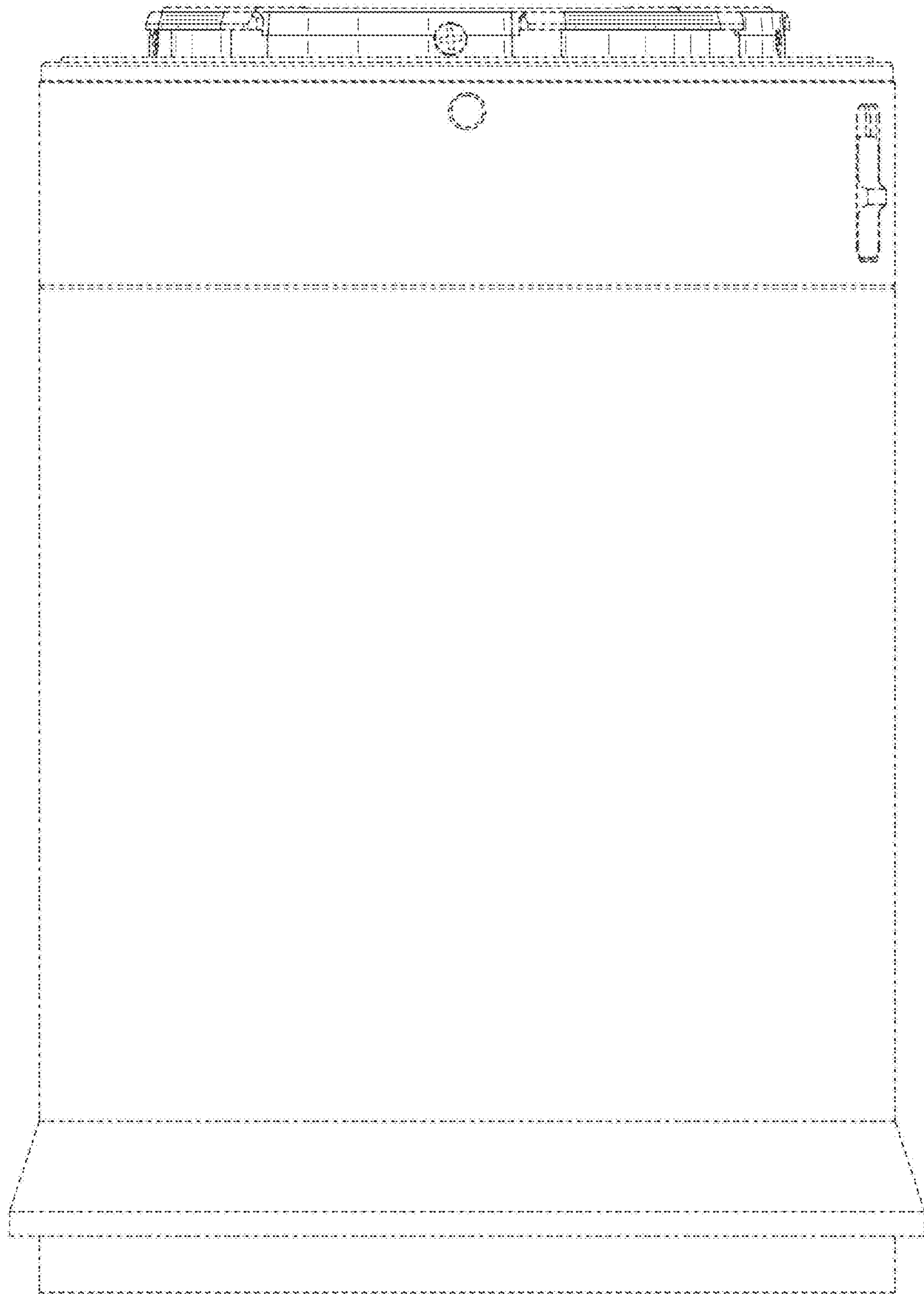


FIG. 5

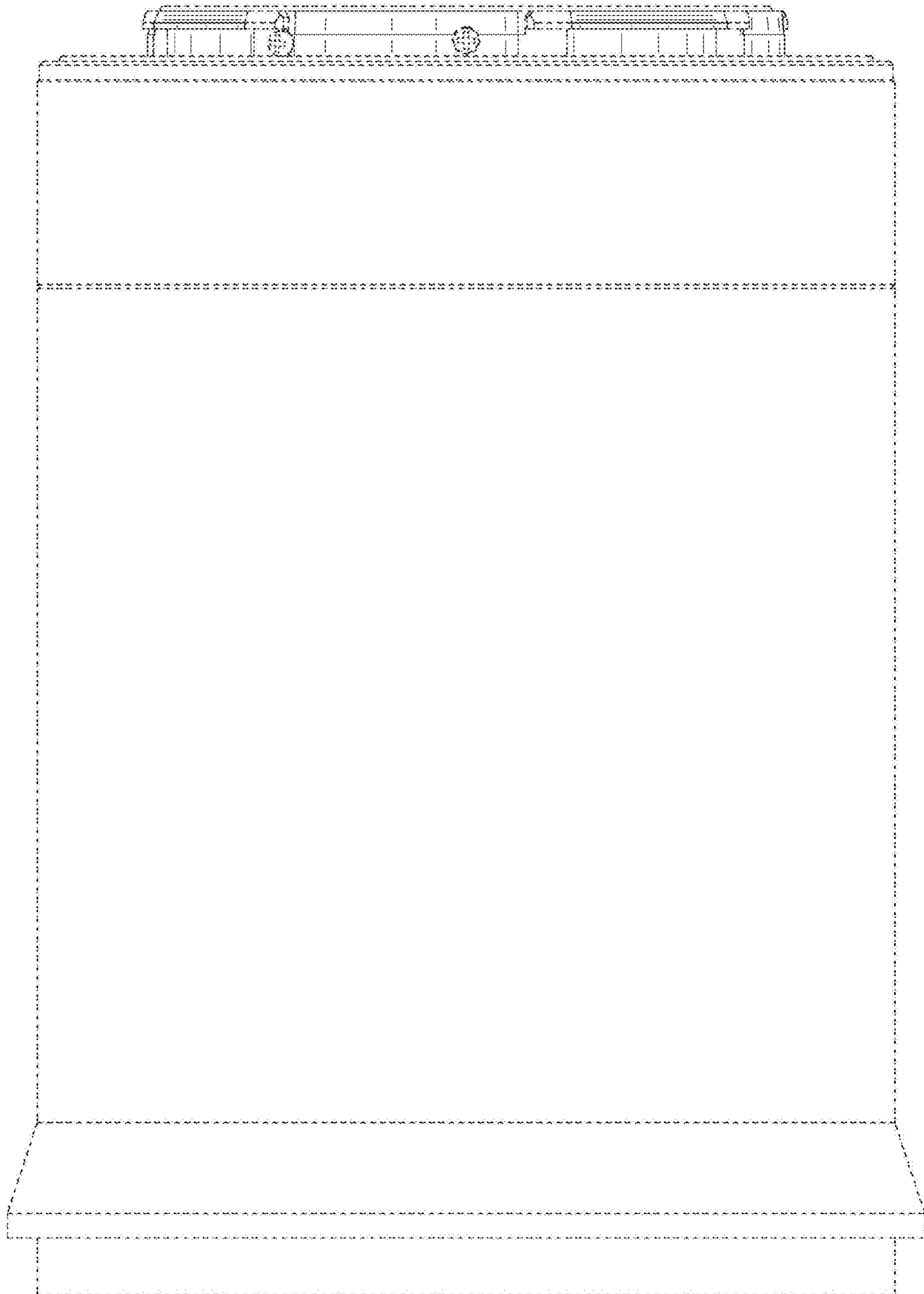


FIG. 6

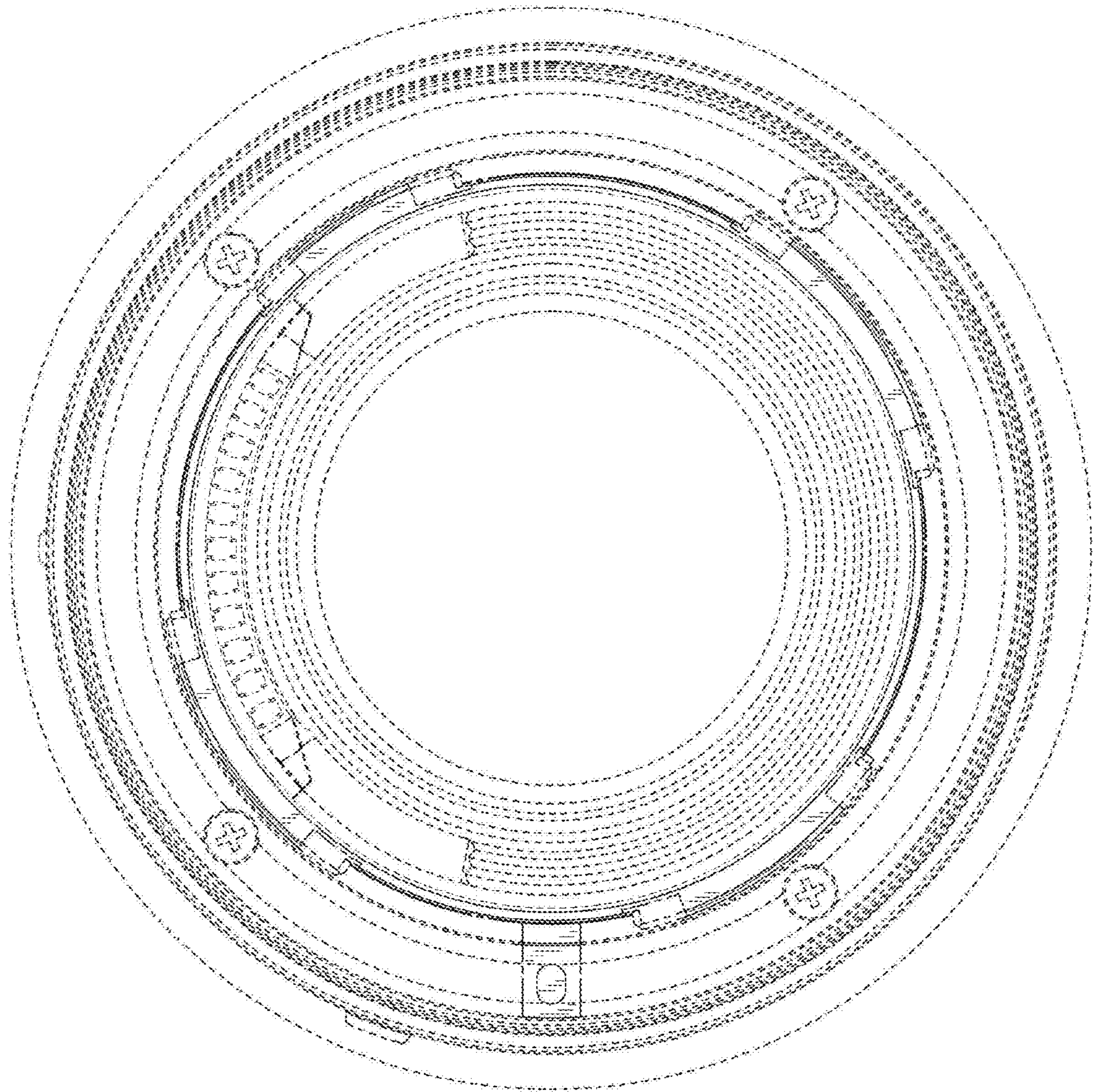


FIG.7

FIG.8

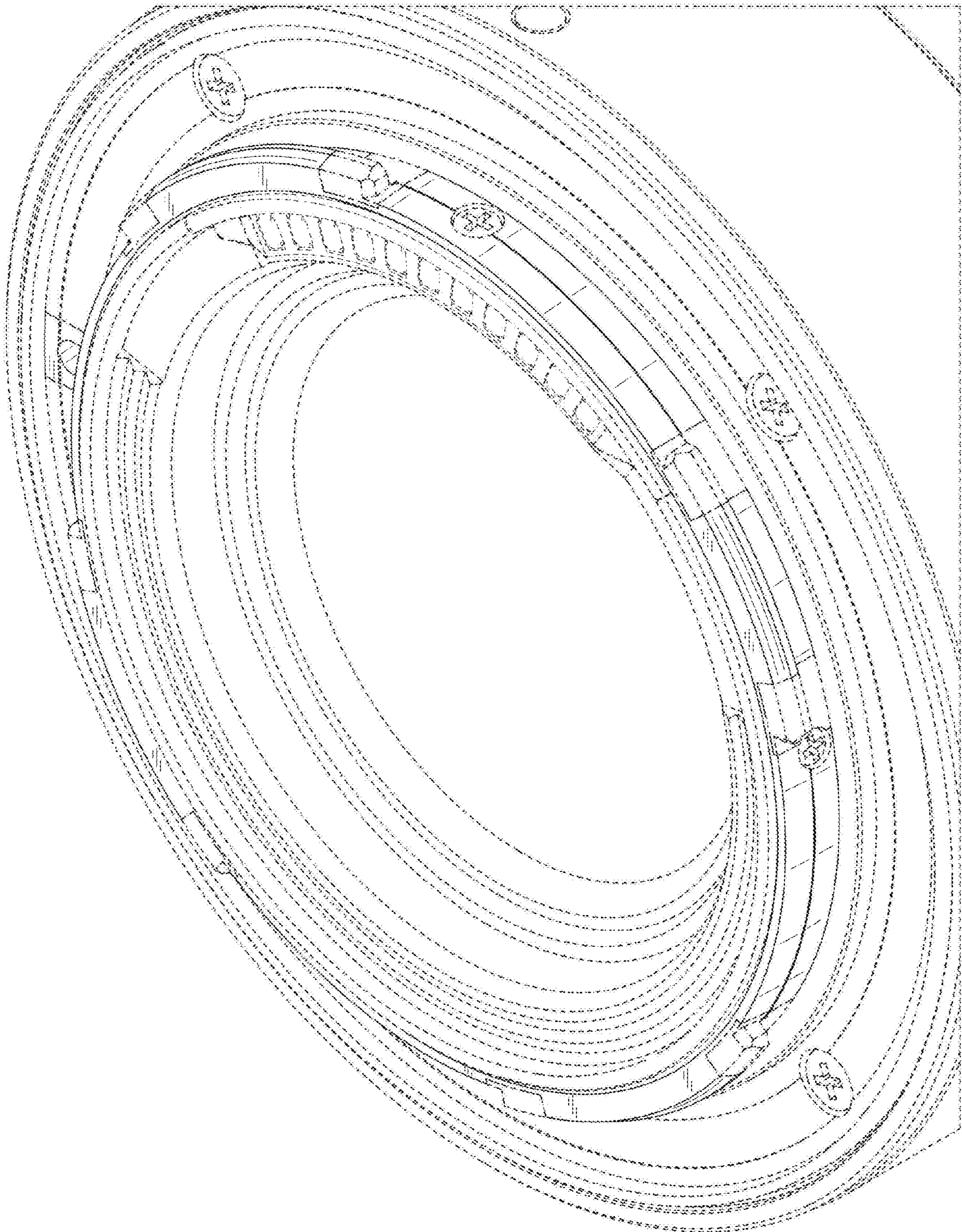


FIG.9

