



US00D937925S

(12) **United States Design Patent**  
**Takano**

(10) **Patent No.:** **US D937,925 S**

(45) **Date of Patent:** **\*\* Dec. 7, 2021**

(54) **INTERCHANGEABLE LENS FOR CAMERA**

(71) Applicant: **CANON KABUSHIKI KAISHA,**  
Tokyo (JP)

(72) Inventor: **Seishiro Takano,** Tokyo (JP)

(73) Assignee: **Canon Kabushiki Kaisha,** Tokyo (JP)

(\*\*) Term: **15 Years**

(21) Appl. No.: **29/744,249**

(22) Filed: **Jul. 28, 2020**

**Related U.S. Application Data**

(62) Division of application No. 35/507,100, filed on Nov. 14, 2018 (U.S. filing date under 35 U.S.C. 384), and having an international filing date of Nov. 14, 2018, now abandoned.

(30) **Foreign Application Priority Data**

May 15, 2018 (JP) ..... 2018-010508

(51) **LOC (13) Cl.** ..... **16-05**

(52) **U.S. Cl.**  
USPC ..... **D16/219**

(58) **Field of Classification Search**

USPC ..... D16/134, 136, 200, 202–205, 218, 219,  
D16/235, 242

CPC ..... G03B 17/02; G03B 19/04; G03B 17/56;  
G03B 17/04; G03B 15/03; G03B 17/14;  
H04N 5/2251; H04N 5/2252; H04N  
5/2253; H04N 5/2254; G02B 7/02; G02B  
7/04; G02B 7/14

See application file for complete search history.

(56) **References Cited**

**U.S. PATENT DOCUMENTS**

D412,922 S \* 8/1999 Sekine ..... D16/134  
D420,029 S \* 2/2000 Kimura ..... D16/134

D562,863 S \* 2/2008 Yasutomi ..... D16/134  
D562,864 S \* 2/2008 Yasutomi ..... D16/134  
D562,865 S \* 2/2008 Yasutomi ..... D16/134  
D688,292 S \* 8/2013 Koyama ..... D16/219  
D705,335 S 5/2014 Oikawa et al.  
D726,240 S 4/2015 Oikawa et al.  
D729,300 S \* 5/2015 Ono ..... D16/219  
D745,590 S \* 12/2015 Oh ..... D16/219  
D783,700 S 4/2017 Tagawa et al.  
D786,954 S \* 5/2017 Tagawa ..... D16/219  
D794,107 S \* 8/2017 Tagawa ..... D16/219  
D801,409 S \* 10/2017 Tsuge ..... D16/219  
D827,893 S \* 9/2018 Kunzendorf ..... D26/49

(Continued)

**FOREIGN PATENT DOCUMENTS**

JP 1456035 11/2012  
JP 1456461 11/2012

(Continued)

*Primary Examiner* — Bao-Yen T Nguyen

(74) *Attorney, Agent, or Firm* — Venable LLP

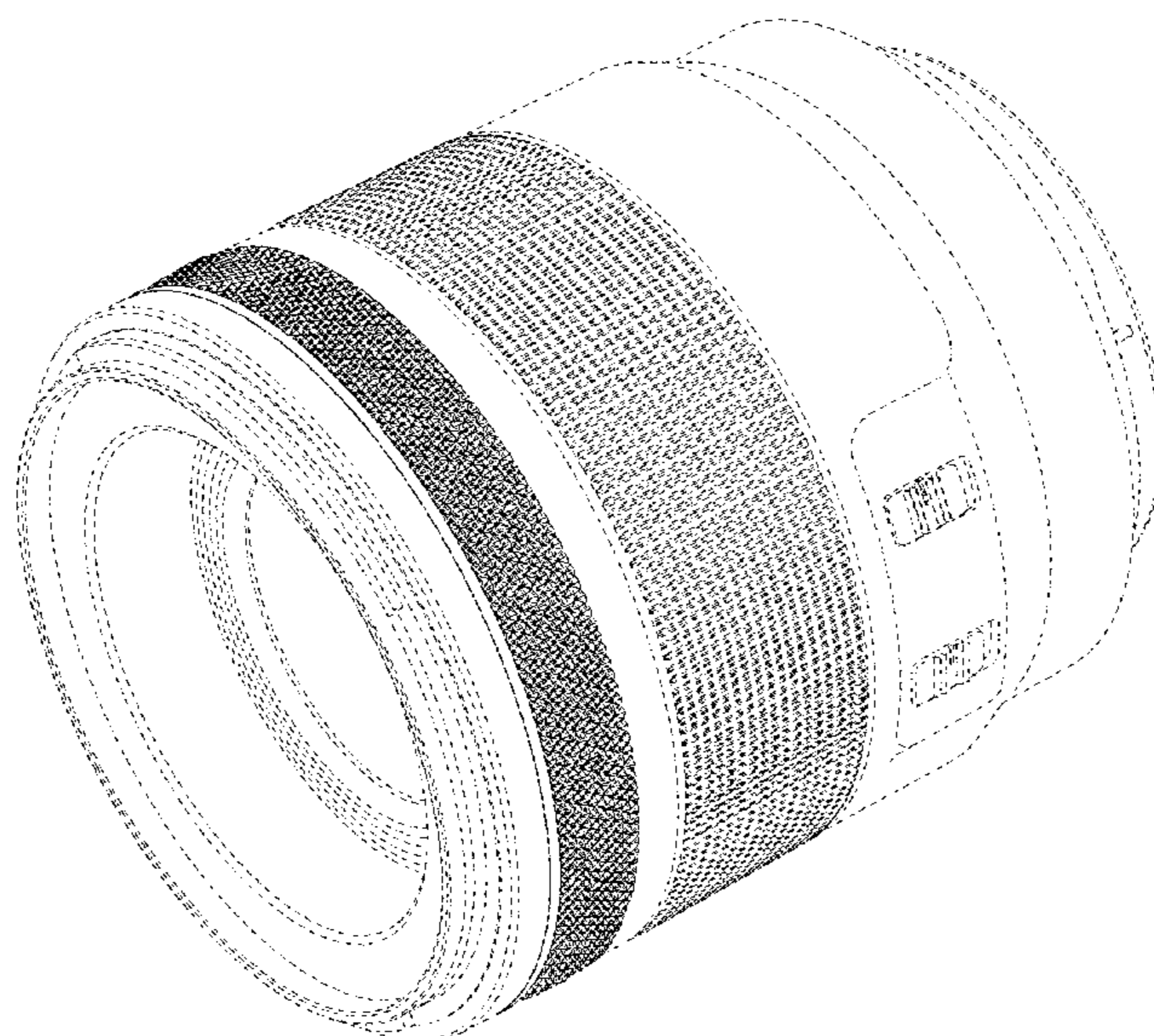
(57) **CLAIM**

The ornamental design for an interchangeable lens for camera, as shown and described.

**DESCRIPTION**

FIG. 1 is a Front view of an interchangeable lens for camera showing my new design;  
FIG. 2 is a Back view thereof;  
FIG. 3 is a Top view thereof;  
FIG. 4 is a Bottom view thereof;  
FIG. 5 is a Left view thereof;  
FIG. 6 is a Right view thereof; and,  
FIG. 7 is a Perspective view thereof.  
The broken lines show portions of the interchangeable lens for camera that form no part of the claimed design.

**1 Claim, 7 Drawing Sheets**



(56)

**References Cited**

U.S. PATENT DOCUMENTS

D881,261 S	*	4/2020	Ikegame .....	D16/219
D896,873 S	*	9/2020	Lee .....	D16/219
D904,492 S	*	12/2020	Saito .....	D16/219
D918,987 S	*	5/2021	Mori .....	D16/219

FOREIGN PATENT DOCUMENTS

JP	1456462	11/2012
JP	1456463	11/2012
JP	1456464	11/2012
JP	1456465	11/2012
JP	1555184	8/2016
JP	2016-126069 A	7/2017

\* cited by examiner



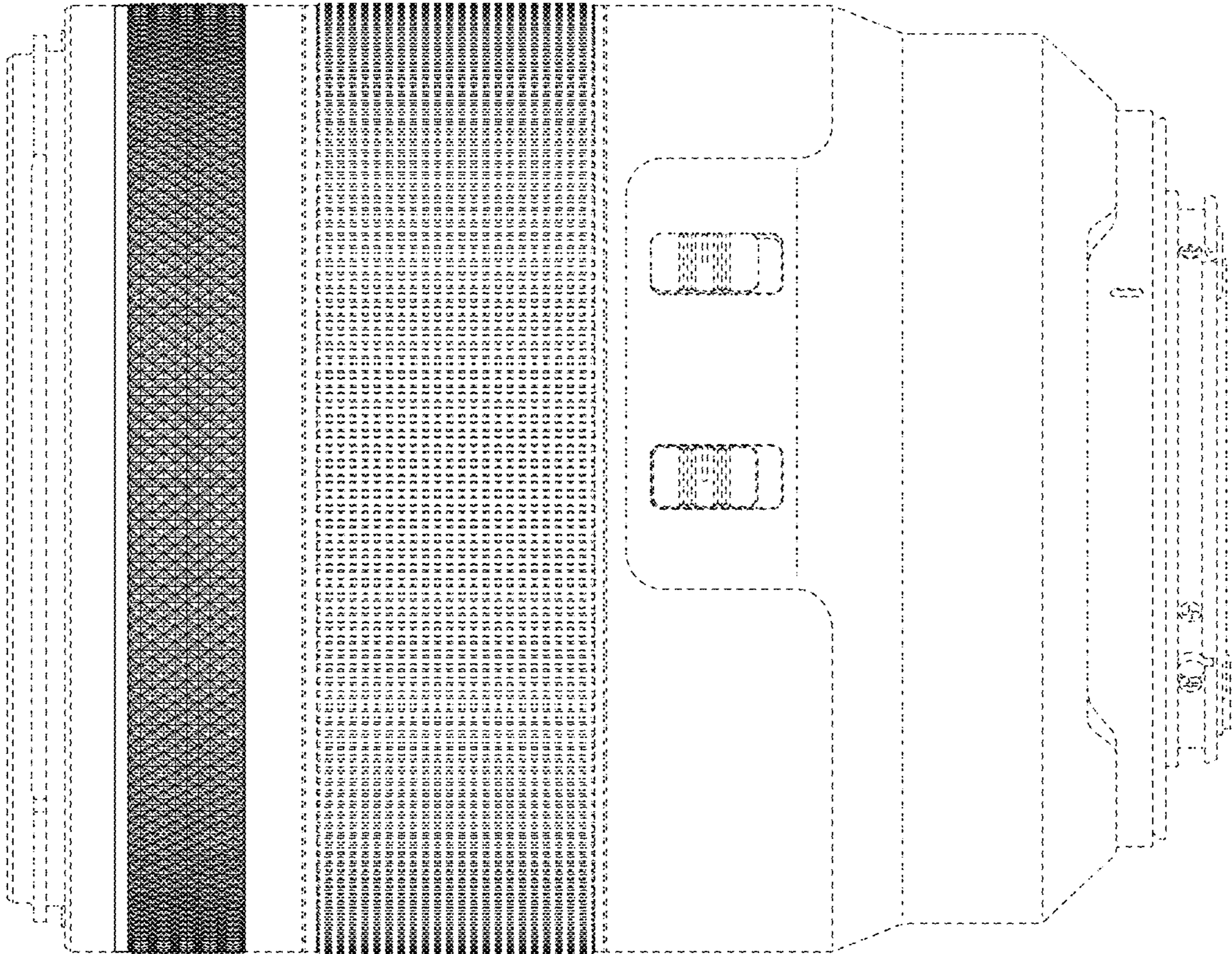


FIG. 1

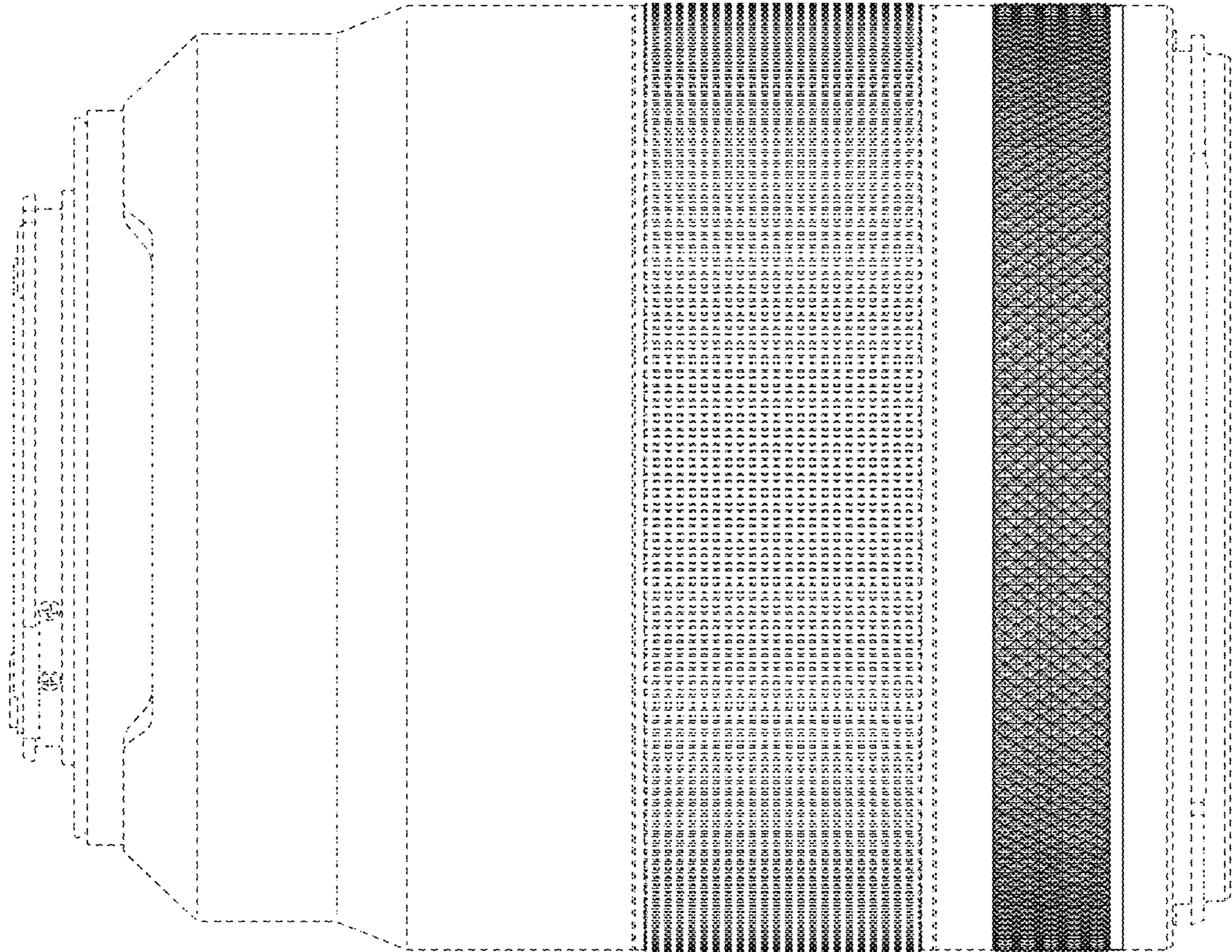


FIG. 2



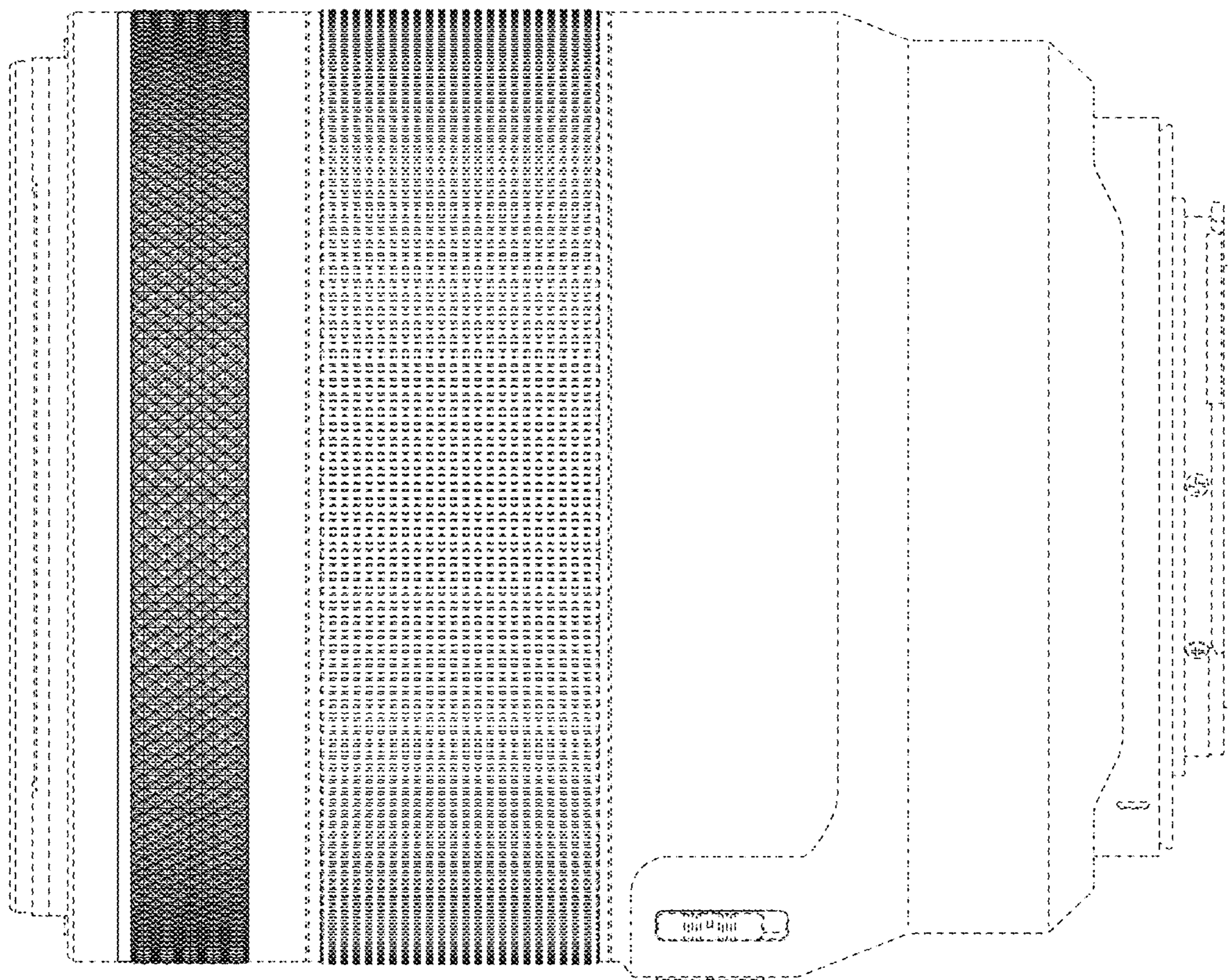


FIG. 3

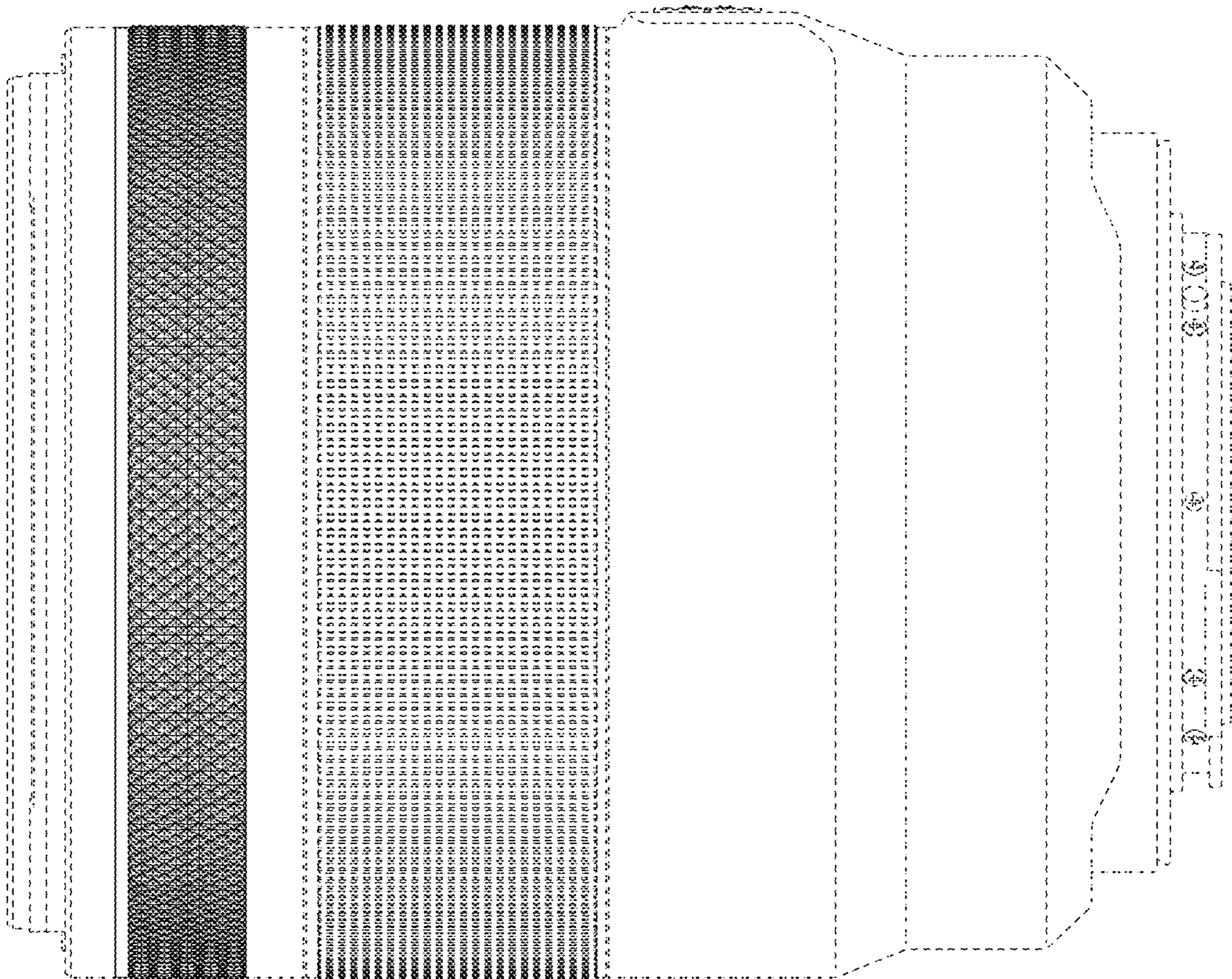
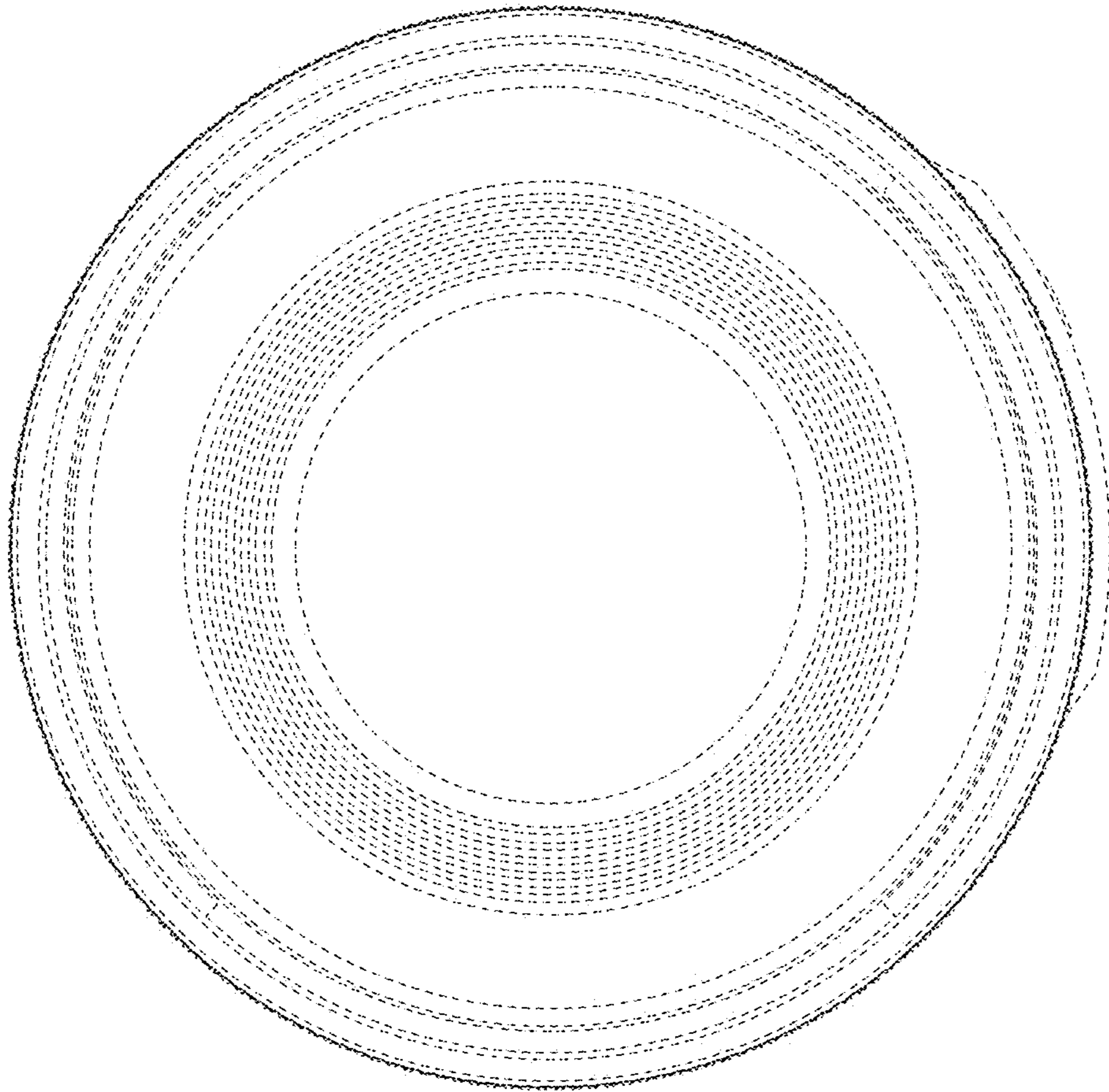
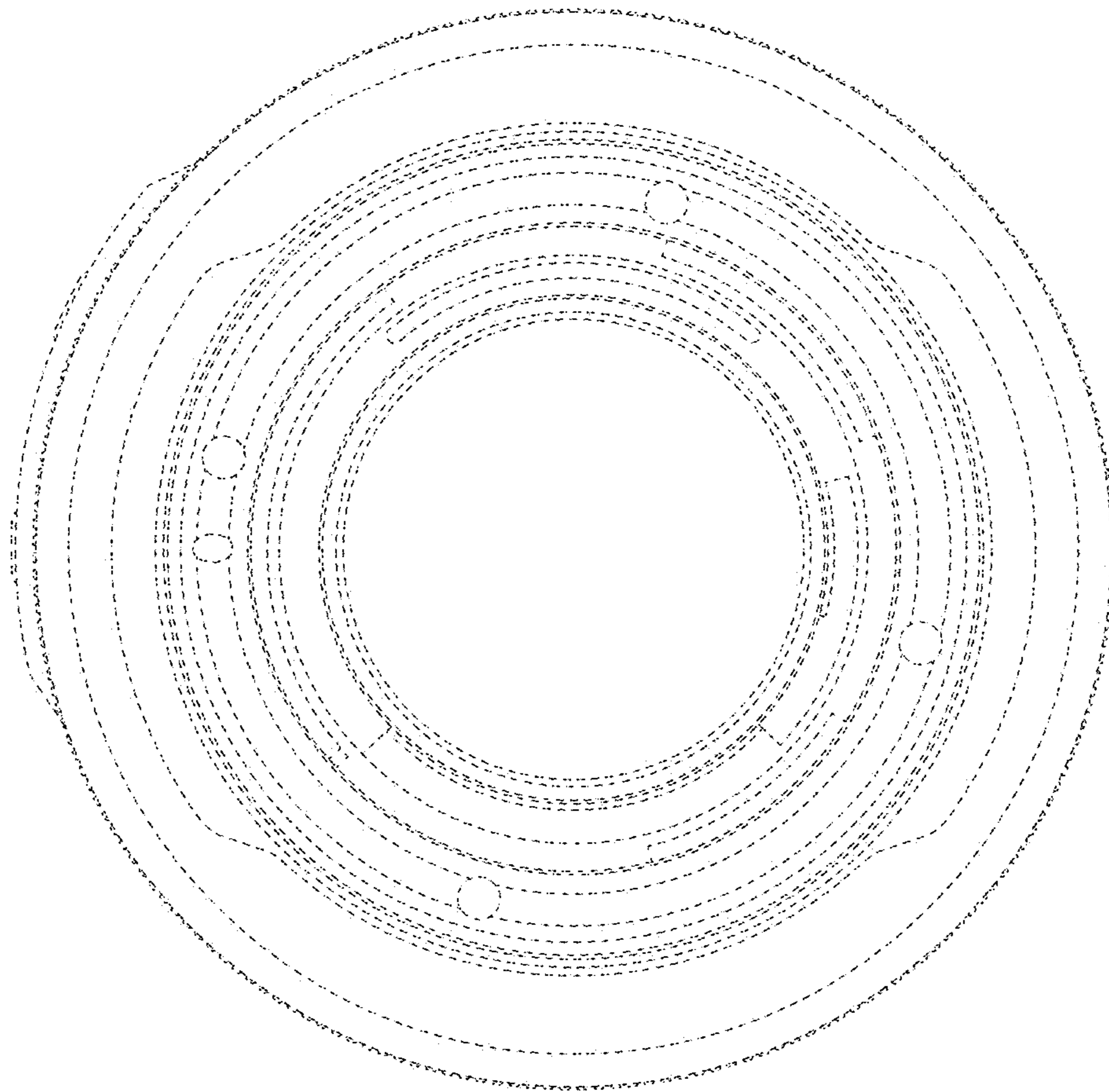


FIG. 4





*FIG. 5*



*FIG. 6*



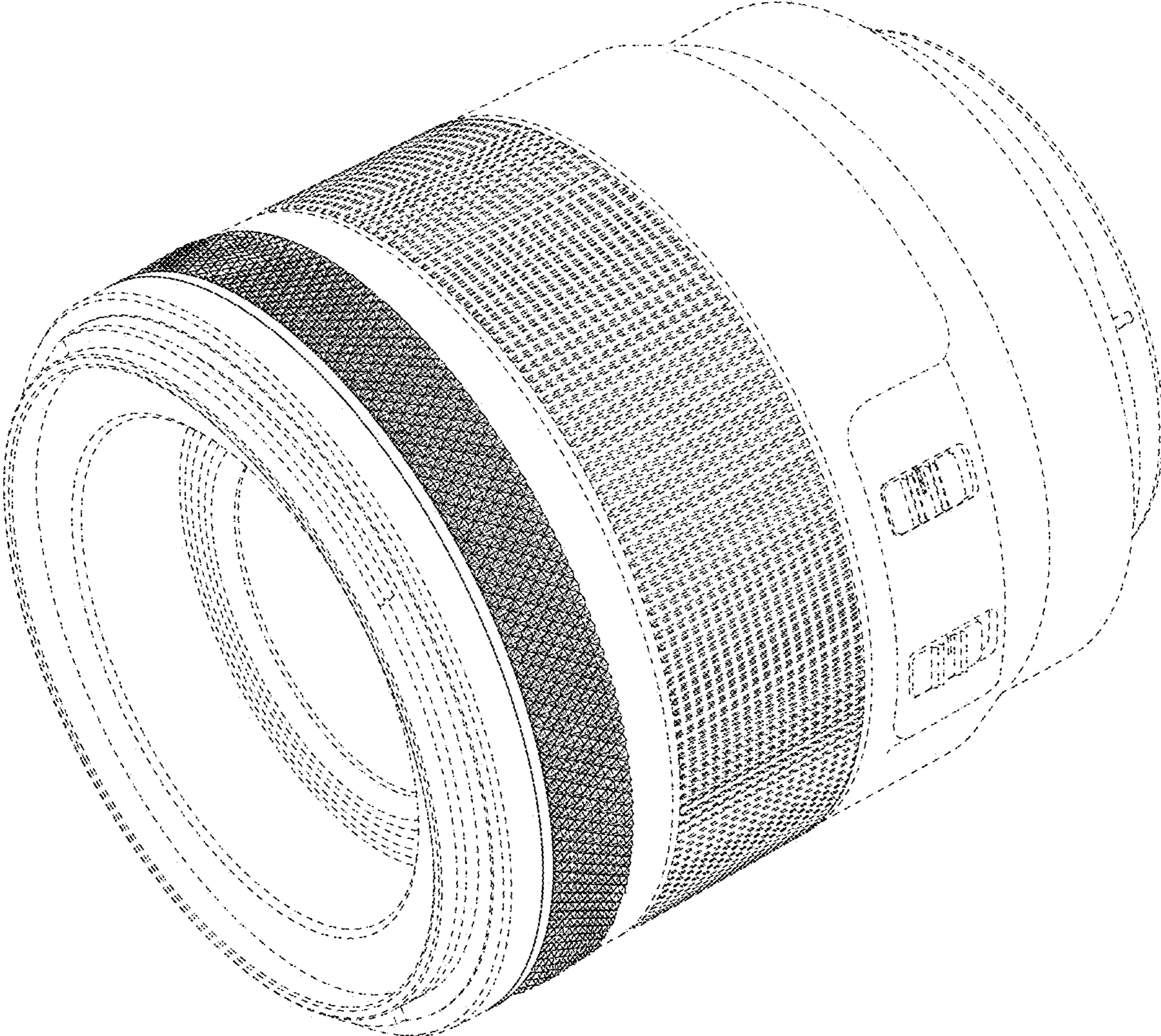


FIG. 7