



US00D937924S

(12) **United States Design Patent**
Dong

(10) **Patent No.:** **US D937,924 S**

(45) **Date of Patent:** **** Dec. 7, 2021**

(54) **WIFI CAMERA**

(71) Applicant: **Shenzhen Skyline Security Co., Ltd.**,
Shenzhen (CN)

(72) Inventor: **Yuanpeng Dong**, Shenzhen (CN)

(73) Assignee: **SHENZHEN SKYLINE SECURITY CO., LTD.**, Shenzhen (CN)

(**) Term: **15 Years**

(21) Appl. No.: **29/716,634**

(22) Filed: **Dec. 11, 2019**

(51) **LOC (13) Cl.** **16-01**

(52) **U.S. Cl.**
USPC **D16/203**

(58) **Field of Classification Search**
USPC D16/200, 202–206, 218, 219, 242;
348/143, 148, 151, 373–376; 396/419,
396/427, 535, 539–541
CPC G03B 17/02; G03B 19/04; G03B 17/56;
G03B 17/04; G03B 15/03; H04N 5/2251;
H04N 5/2252; H04N 5/2253; H04N
5/2254; H04N 7/181; H04N 7/183; H04N
7/18; G08B 13/1963; G08B 13/19619;
G08B 13/19632; F16M 11/04; F16M
13/00

See application file for complete search history.

(56) **References Cited**

U.S. PATENT DOCUMENTS

D550,738 S * 9/2007 Hsia D16/202
D609,732 S * 2/2010 Frank D16/203

D626,984 S * 11/2010 Miyaji D16/202
D704,240 S * 5/2014 McBride D16/203
D741,389 S * 10/2015 Park D16/203
D751,619 S * 3/2016 Jeong D16/203
D753,204 S * 4/2016 Luo D16/202
D813,290 S * 3/2018 Song D16/203
D813,926 S * 3/2018 Shin D16/203
D836,698 S * 12/2018 Hathway D16/203
D849,094 S * 5/2019 Gan D16/203
D861,762 S * 10/2019 Gan D16/203
D863,402 S * 10/2019 Guo D16/203

* cited by examiner

Primary Examiner — Ramzi Almatrahi

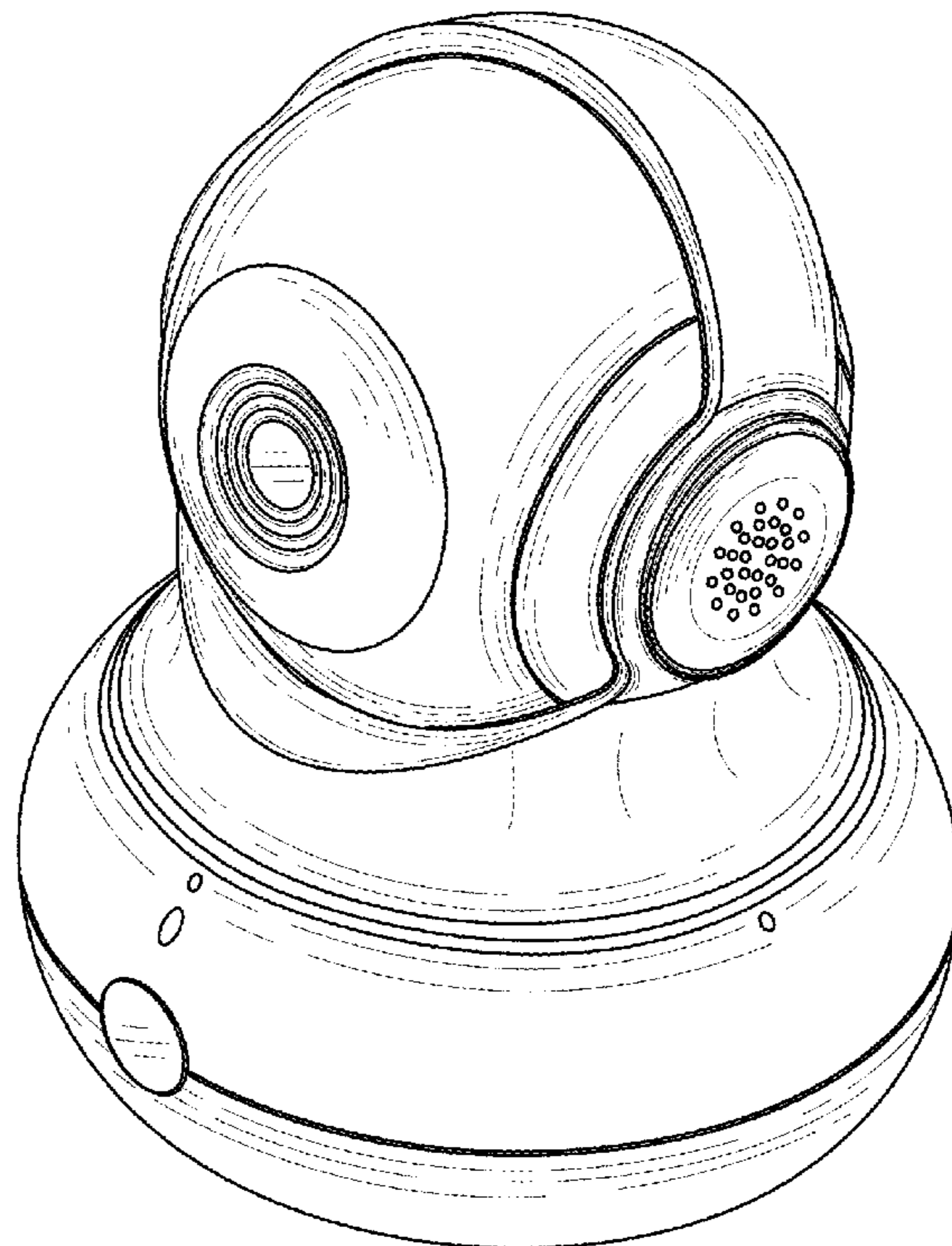
(57) **CLAIM**

The ornamental design for a WiFi camera, as shown and described.

DESCRIPTION

FIG. 1 is a front perspective view of a WiFi camera showing my new design;
FIG. 2 is a front elevational view thereof;
FIG. 3 is a rear elevational view thereof;
FIG. 4 is a left side elevational view thereof;
FIG. 5 is a right side elevational view thereof;
FIG. 6 is a top plan view thereof; and,
FIG. 7 is a bottom plan view thereof.
The broken lines depict portions of the WiFi camera in which the design is embodied that form no part of the claimed design.

1 Claim, 7 Drawing Sheets



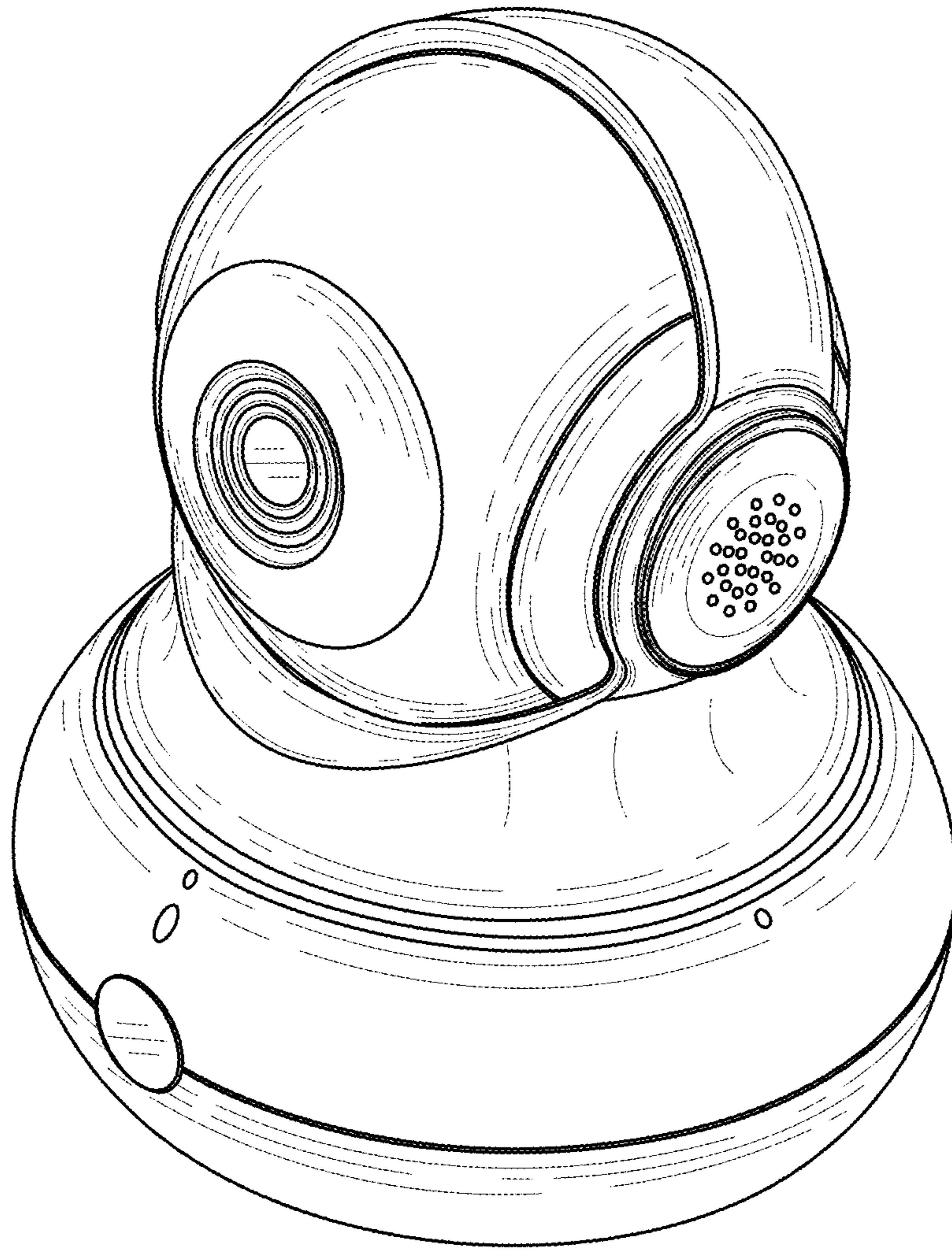


FIG. 1

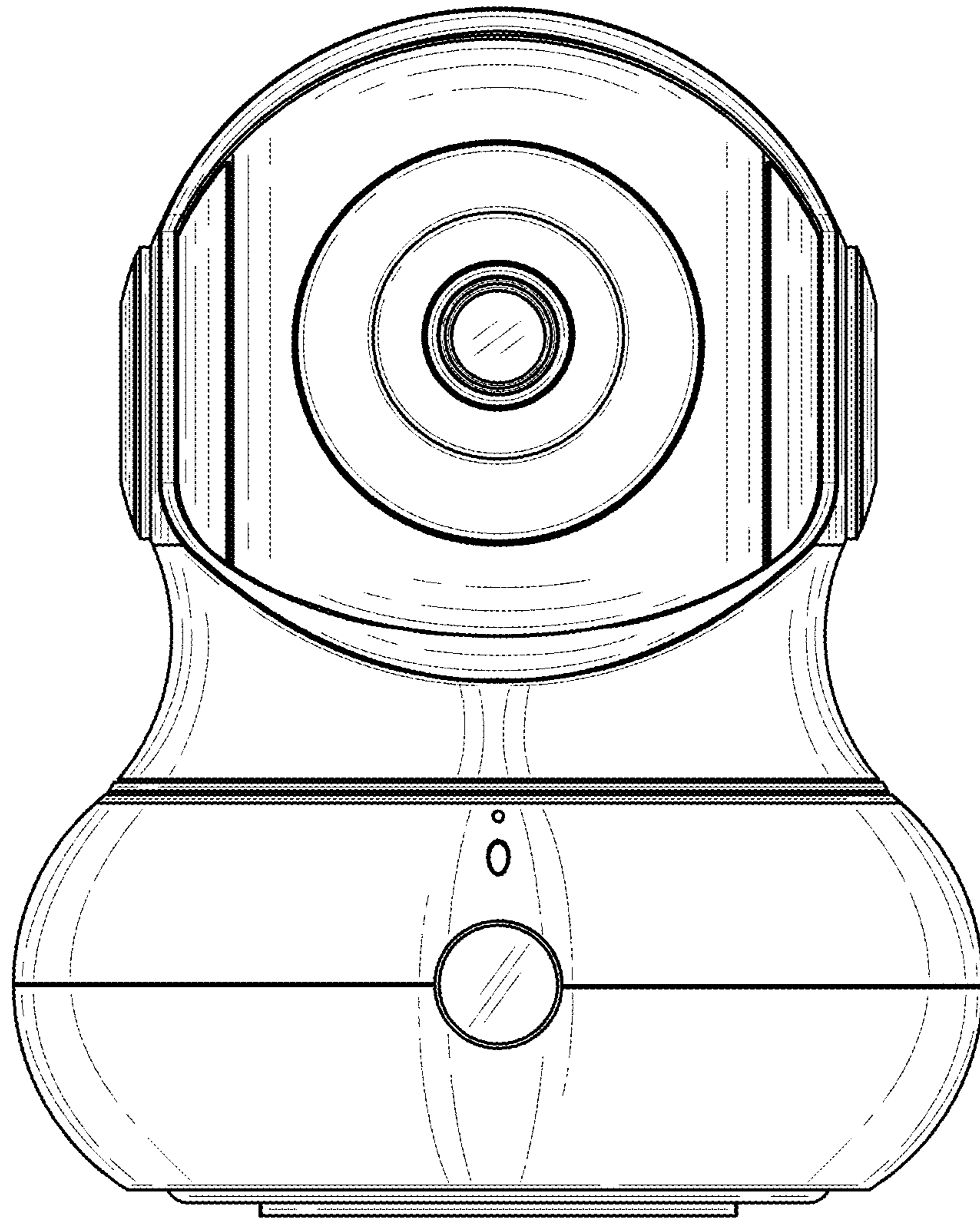


FIG. 2

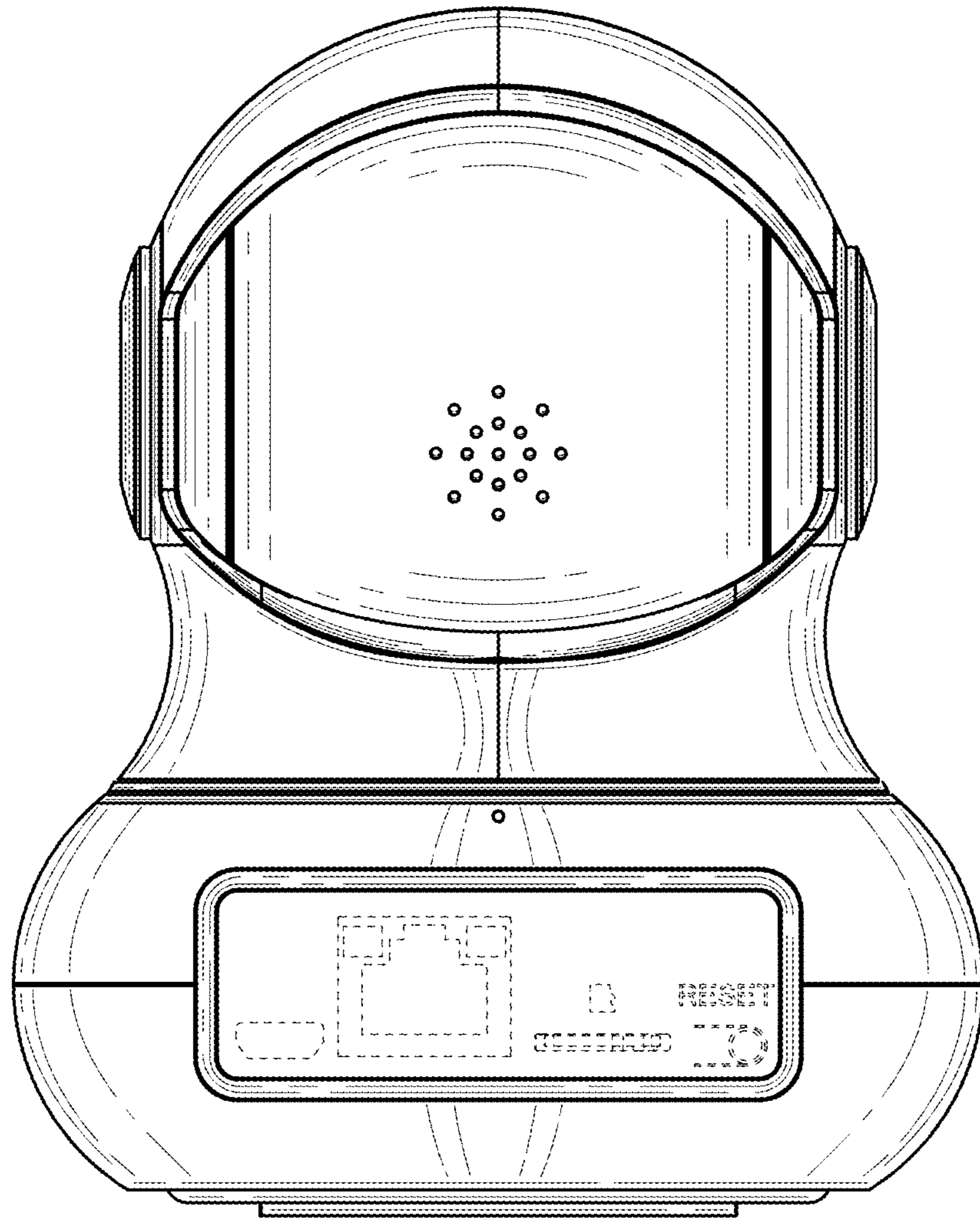


FIG. 3

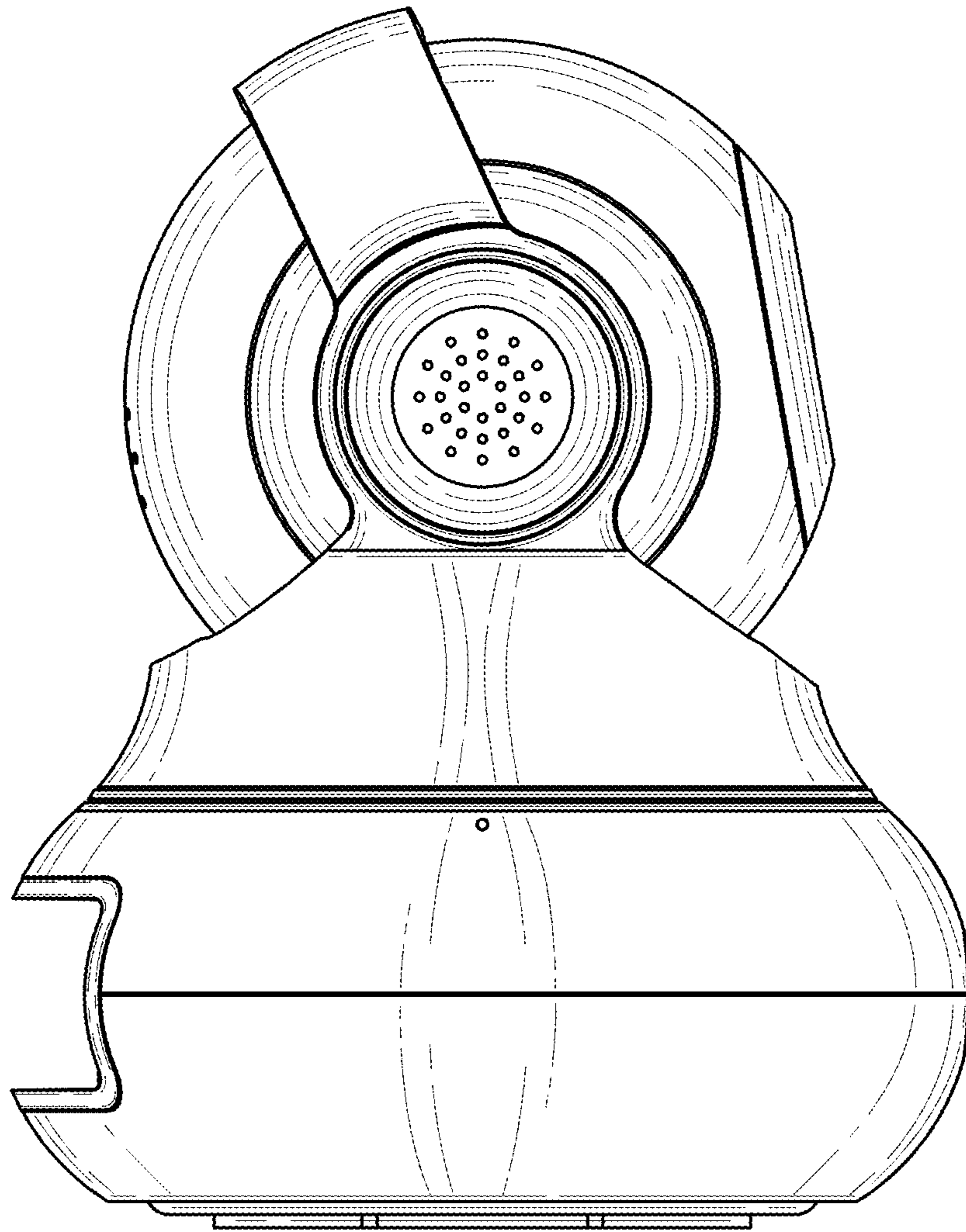


FIG. 4

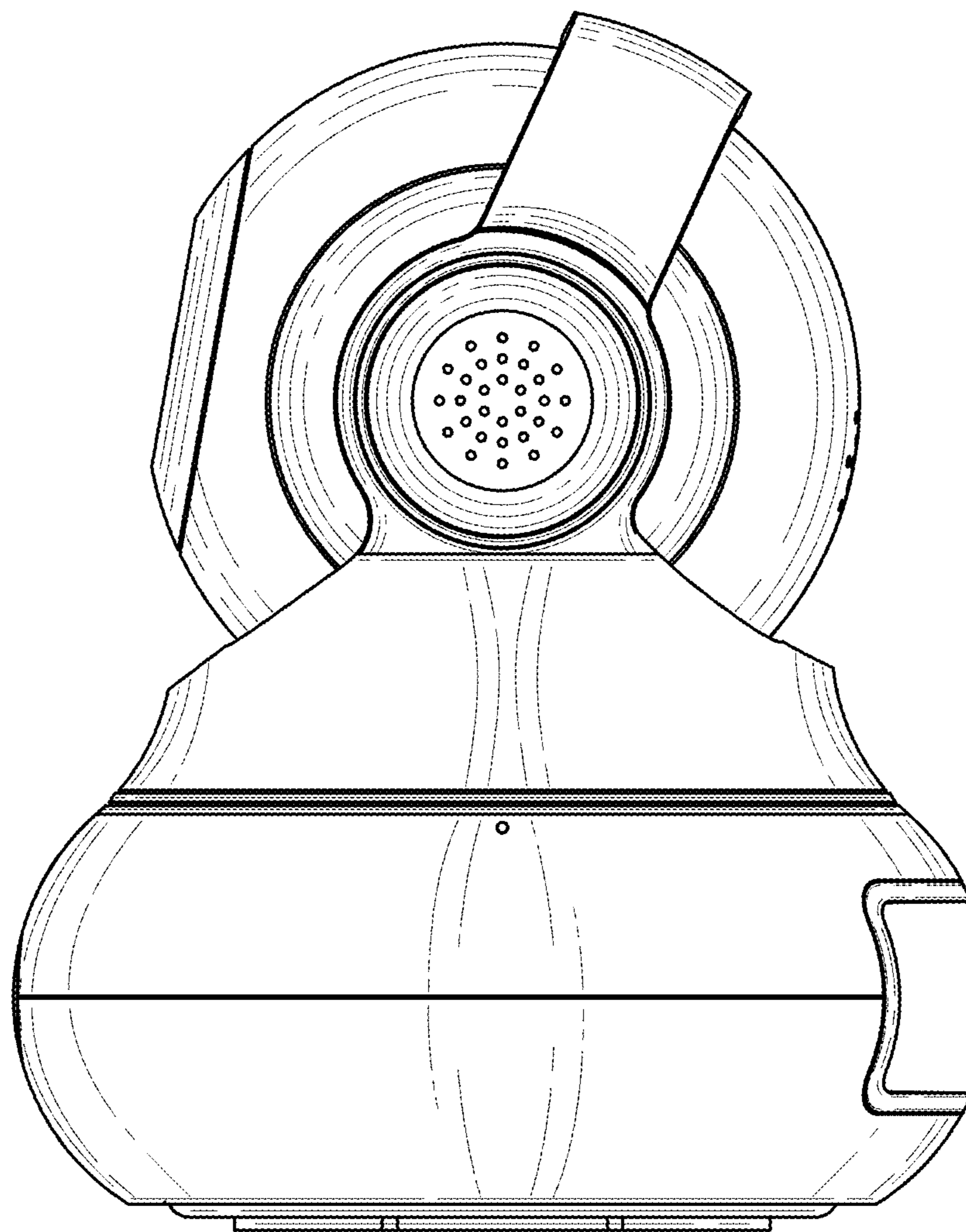


FIG. 5

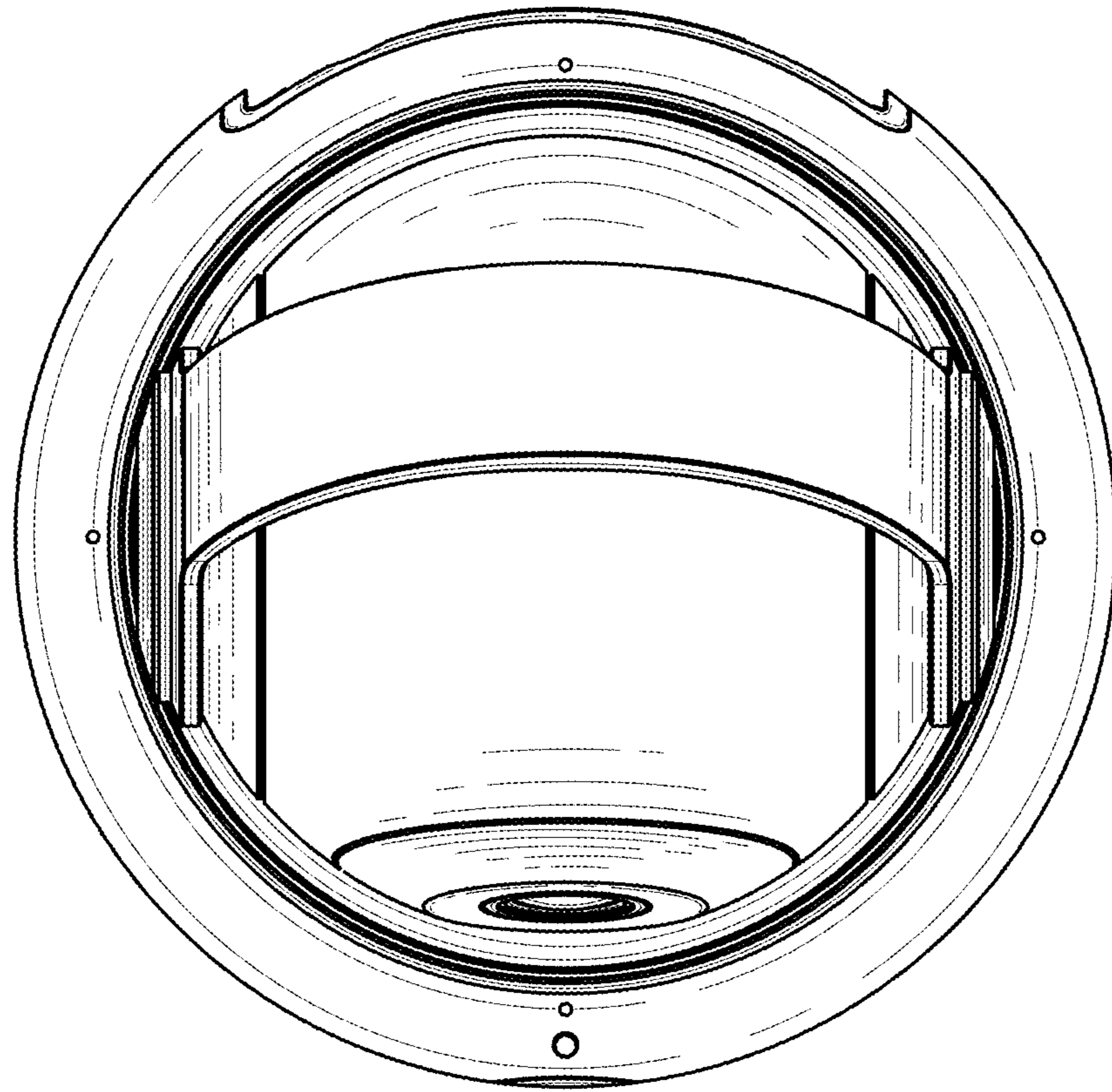


FIG. 6

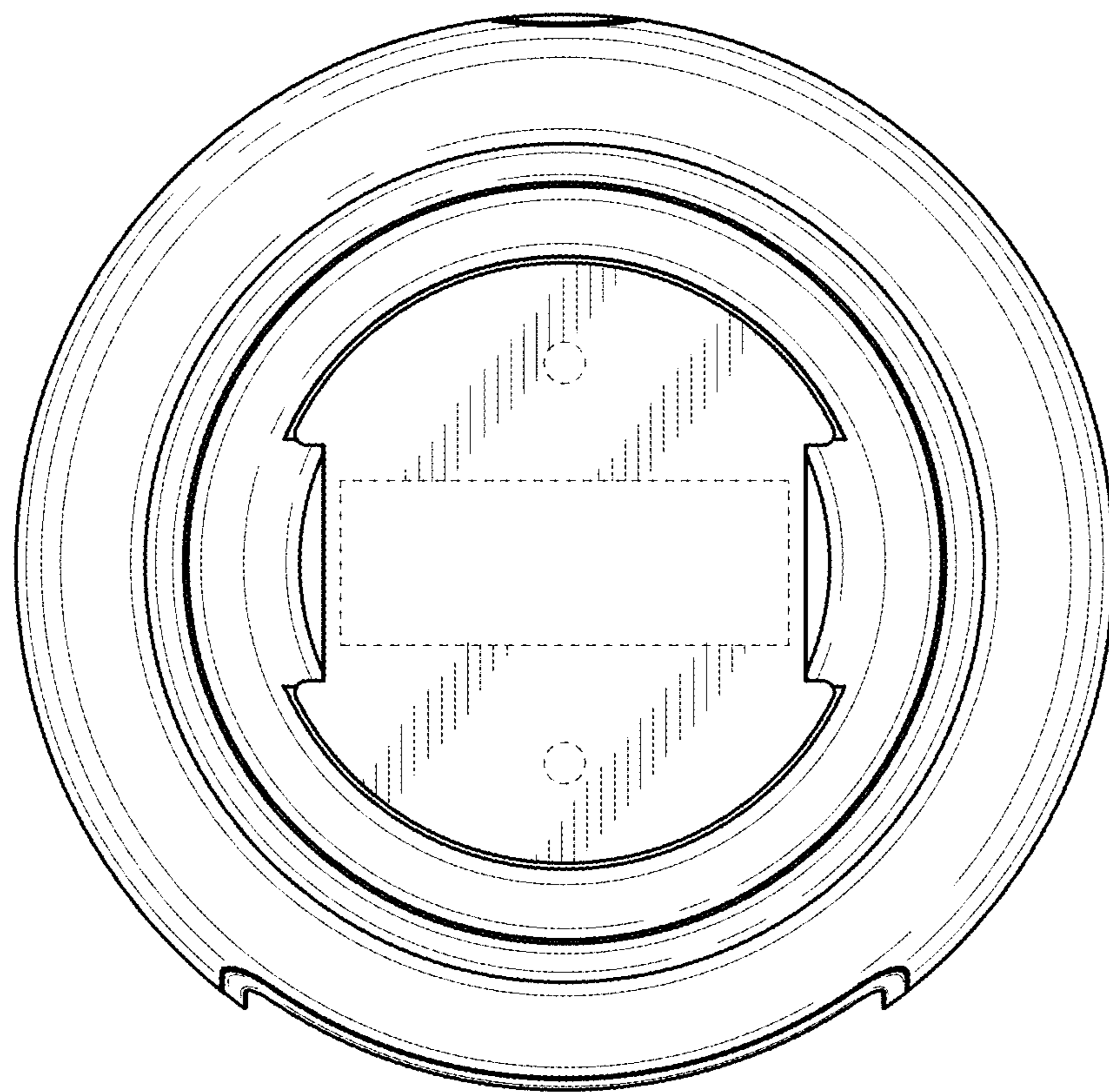


FIG. 7