



US00D937922S

(12) **United States Design Patent**  
**Petty et al.**

(10) **Patent No.:** **US D937,922 S**

(45) **Date of Patent:** **\*\* Dec. 7, 2021**

(54) **CAMERA**

(71) Applicant: **Blackmagic Design Pty Ltd**, Port Melbourne (AU)

(72) Inventors: **Grant Petty**, Port Melbourne (AU); **Simon Kidd**, Port Melbourne (AU); **Michael Cornish**, Port Melbourne (AU); **Andrew Godin**, Port Melbourne (AU); **Shannon Smith**, Port Melbourne (AU); **Ryan Harper**, Port Melbourne (AU)

(73) Assignee: **Blackmagic Design Pty Ltd**

(\*\*) Term: **15 Years**

(21) Appl. No.: **29/705,854**

(22) Filed: **Sep. 16, 2019**

(51) **LOC (13) Cl.** ..... **16-01**

(52) **U.S. Cl.**  
USPC ..... **D16/202**

(58) **Field of Classification Search**  
USPC ..... D16/200, 202–206, 208, 209, 218, 219;  
348/294, 373–376; 359/826; 396/6, 529,  
396/535, 539–541  
CPC ..... G03B 15/03; G03B 17/02; G03B 17/04;  
G03B 17/56; G03B 19/04; H04N 5/2251;  
H04N 5/2252; H04N 5/2253; H04N  
5/2254; H04N 2101/00  
See application file for complete search history.

(56) **References Cited**

**U.S. PATENT DOCUMENTS**

D422,613 S	4/2000	Nagaoka	
D487,105 S	2/2004	Takahashi	
D497,173 S	10/2004	Ogura	
D497,174 S	10/2004	Omino et al.	
D524,346 S	7/2006	Haga	
D528,580 S *	9/2006	Sumita	D16/202
D542,321 S *	5/2007	Takahashi	D16/202

D557,308 S	12/2007	Matsuda	
D558,809 S	1/2008	Nakamura	
D558,812 S	1/2008	Takahashi	
D559,291 S	1/2008	Hayashi	
D561,806 S	2/2008	Funakoshi et al.	
D564,560 S	3/2008	Funakoshi	
D564,561 S *	3/2008	Takahashi	D16/200

(Continued)

**OTHER PUBLICATIONS**

Blackmagic Design Announces New Blackmagic Pocket Cinema Camera 6K, posted Aug. 8, 2019. Available from Internet, <<https://www.blackmagicdesign.com/media/release/20190808-01>>.

(Continued)

*Primary Examiner* — Ramzi Almatrahi

(74) *Attorney, Agent, or Firm* — Saidman DesignLaw Group, LLC

(57) **CLAIM**

The ornamental design for a camera, as shown and described.

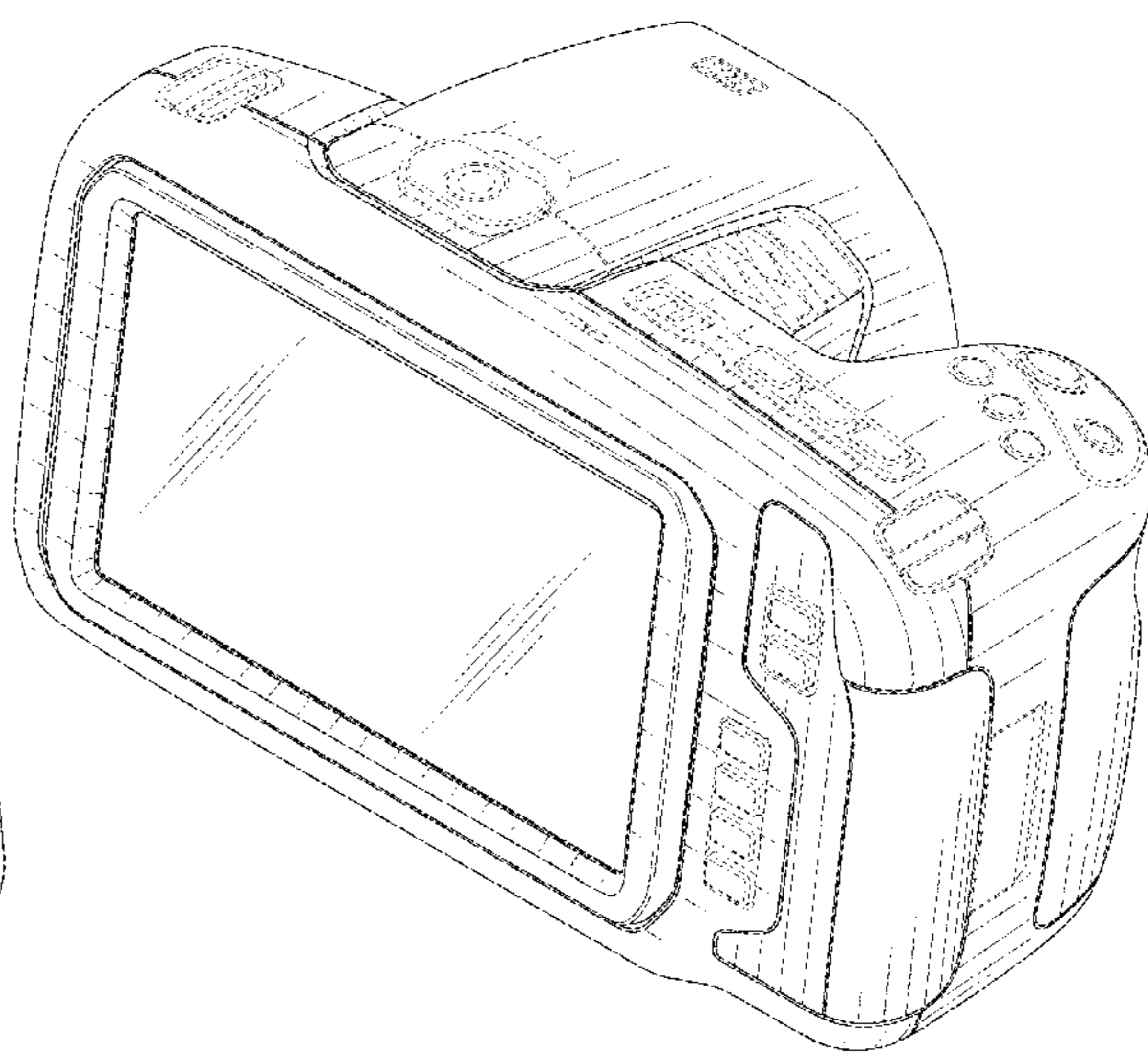
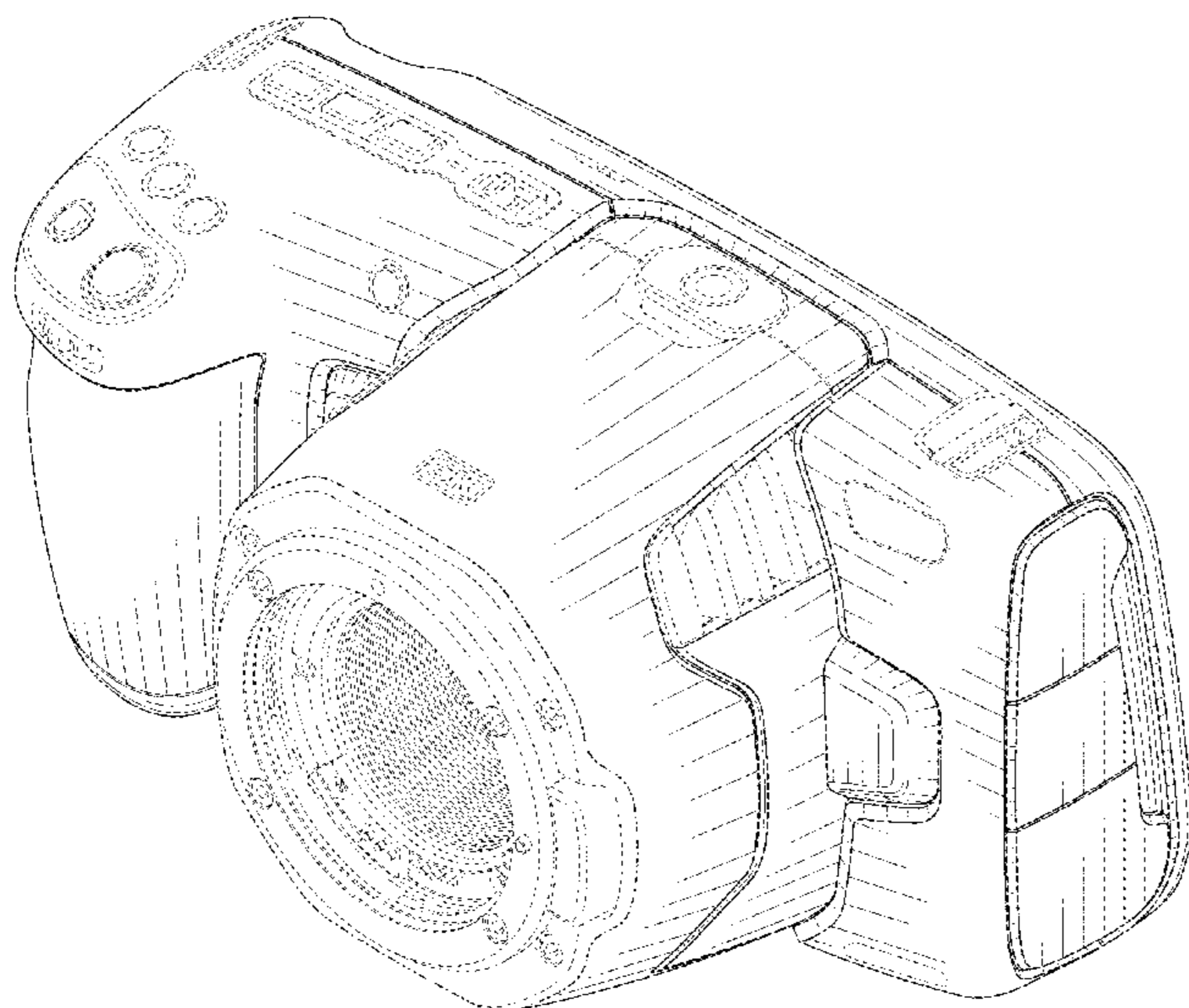
**DESCRIPTION**

FIG. 1 is a front perspective view of a camera showing our new design;  
FIG. 2 is a rear perspective view thereof;  
FIG. 3 is a front view thereof;  
FIG. 4 is a rear view thereof;  
FIG. 5 is a left side view thereof;  
FIG. 6 is a right side view thereof;  
FIG. 7 is a top view thereof; and,  
FIG. 8 is a bottom view thereof.

The portions illustrated in dashed broken lines and the portions illustrated within dashed broken lines depict portions of the camera in which the design is embodied that form no part of the claimed design.

The dot-dash lines denote the boundary of the claim and form no part of the claimed design.

**1 Claim, 8 Drawing Sheets**



(56)

References Cited

U.S. PATENT DOCUMENTS

D567,835 S \* 4/2008 Sumita ..... D16/202  
 D576,192 S 9/2008 Isozaki  
 D594,892 S \* 6/2009 Kamiya ..... D16/202  
 D595,755 S 7/2009 Funakoshi  
 D604,349 S 11/2009 Miyashita  
 D605,679 S 12/2009 Hayashi  
 D607,481 S 1/2010 Takahashi  
 D609,730 S 2/2010 Nakamura  
 D611,976 S 3/2010 Kim et al.  
 D639,325 S 6/2011 Yamauchi et al.  
 D640,720 S 6/2011 Yoshii et al.  
 D672,802 S 12/2012 Nojima et al.  
 D690,755 S 10/2013 Nikaido  
 D701,550 S \* 3/2014 Umehara ..... D16/202  
 D709,936 S 7/2014 Sakai  
 D720,787 S \* 1/2015 Tainaka ..... D16/202  
 D723,607 S 3/2015 Noh

D724,131 S \* 3/2015 Kim ..... D16/219  
 D726,797 S \* 4/2015 Ham ..... D16/202  
 D732,099 S 6/2015 Nagaoka et al.  
 D733,782 S \* 7/2015 Sakai ..... D16/202  
 D743,473 S \* 11/2015 Baba ..... D16/220  
 D749,658 S 2/2016 Watanabe  
 D755,273 S 5/2016 Baba et al.  
 D779,575 S 2/2017 Kobayashi  
 D789,434 S \* 6/2017 Abe ..... D16/202  
 D795,325 S \* 8/2017 Germade ..... D16/202  
 D795,939 S 8/2017 Hoshi  
 D806,771 S 1/2018 Nikaido et al.  
 D865,836 S 11/2019 Puusaari  
 D870,185 S 12/2019 Nagaoka et al.  
 2008/0074536 A1 3/2008 Tamura

OTHER PUBLICATIONS

U.S. Appl. No. 29/663,926, filed Sep. 20, 2018 (unpublished).

\* cited by examiner

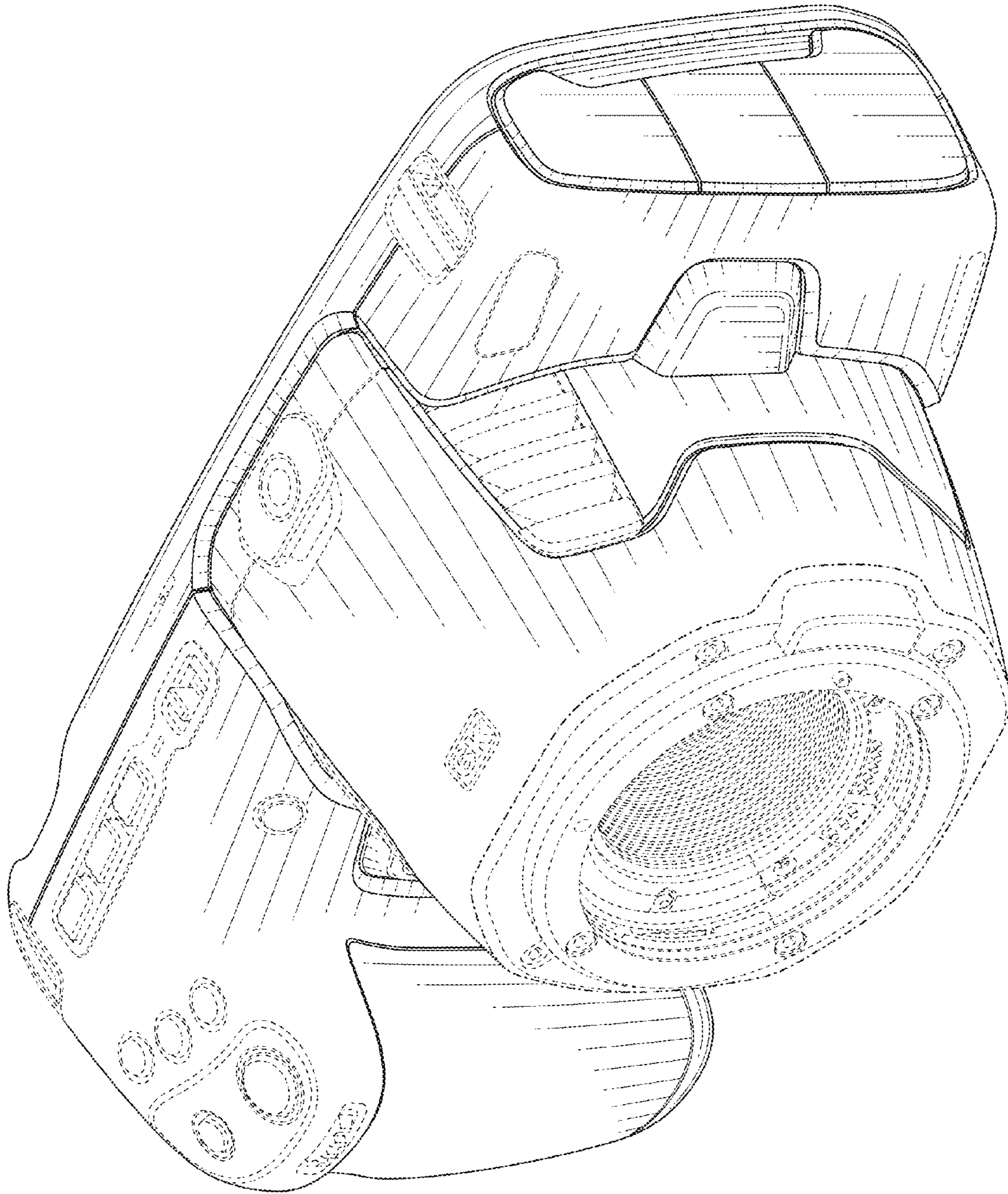


FIG. 1

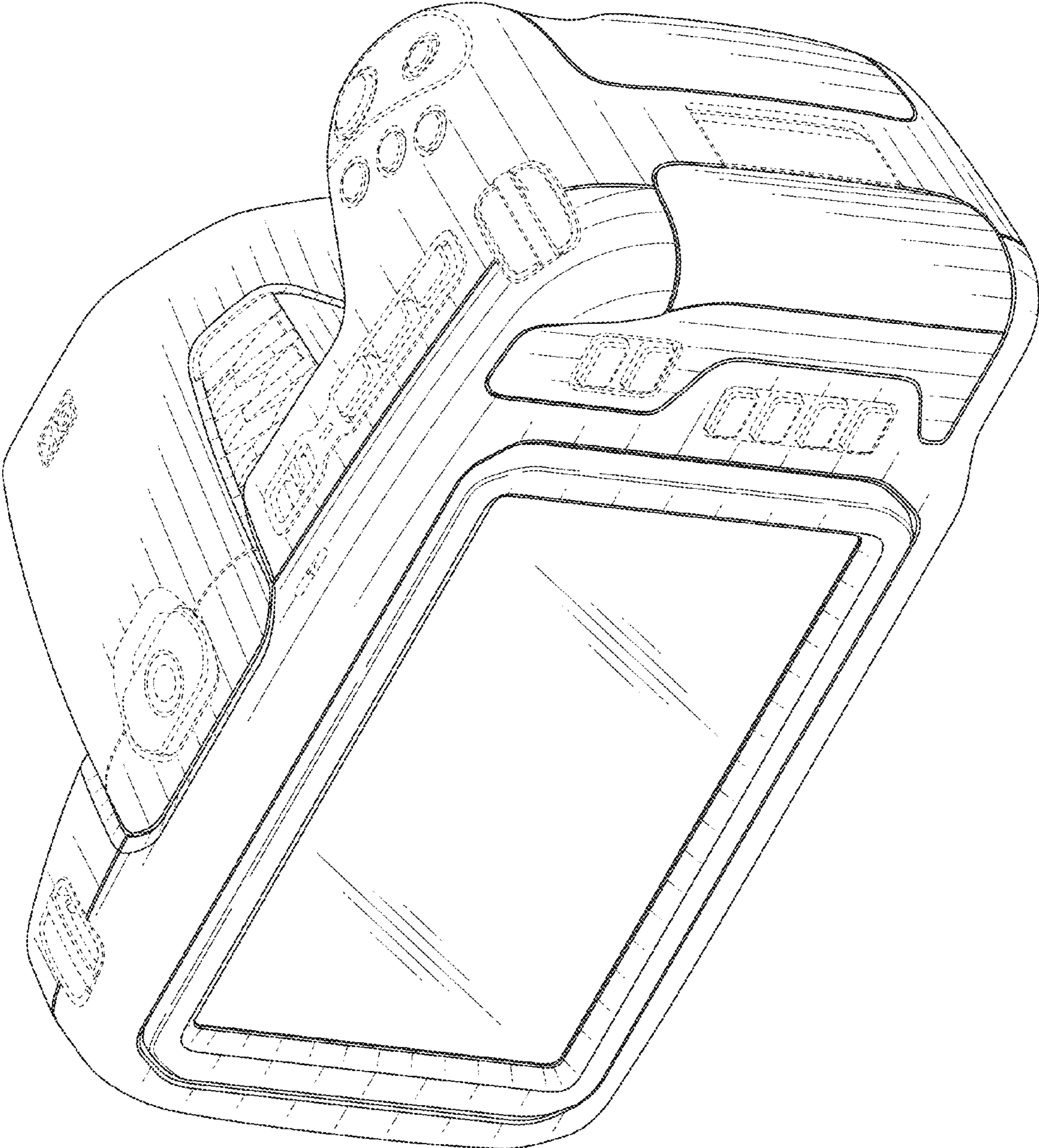


FIG. 2

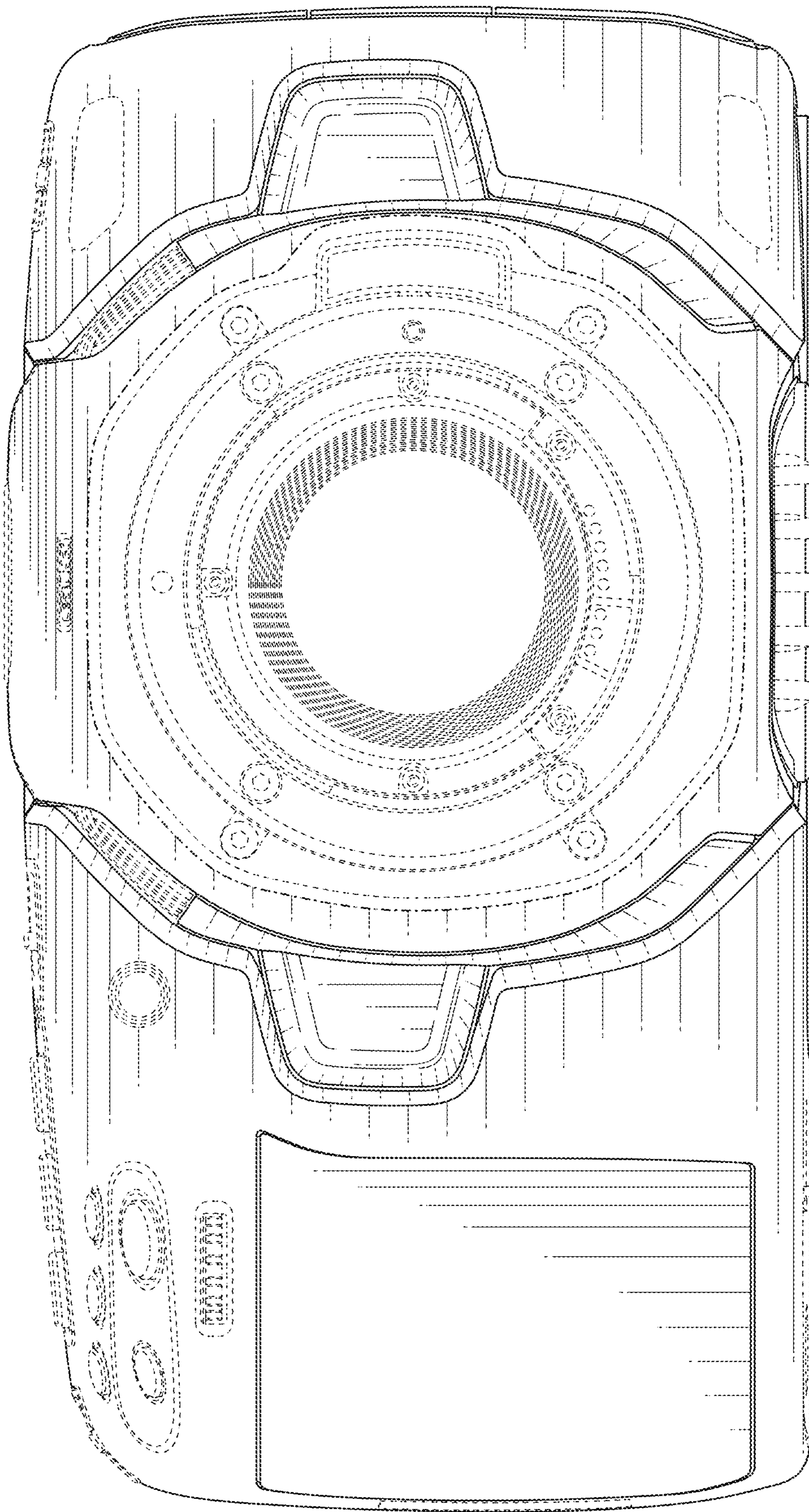


FIG. 3

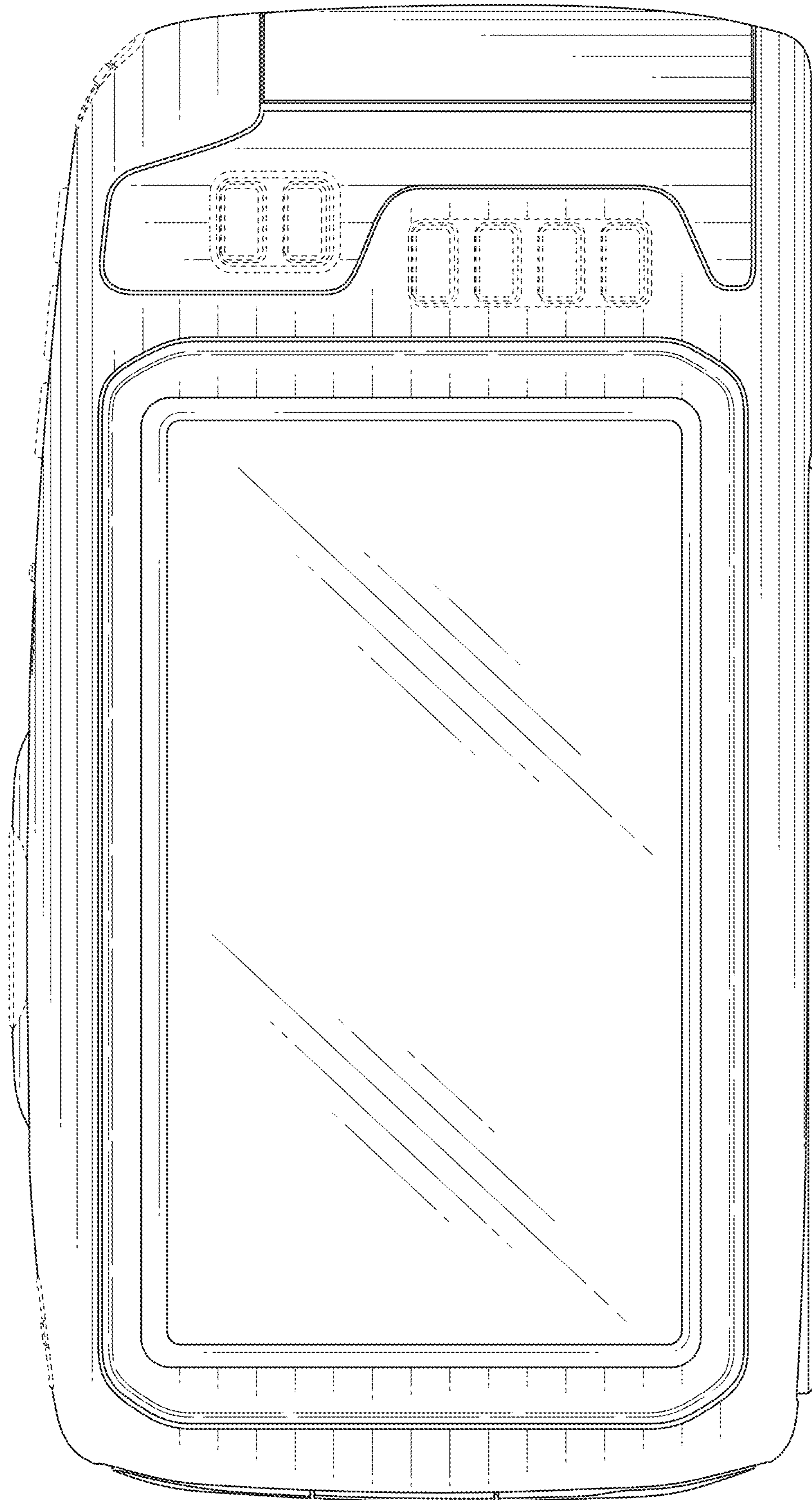


FIG. 4

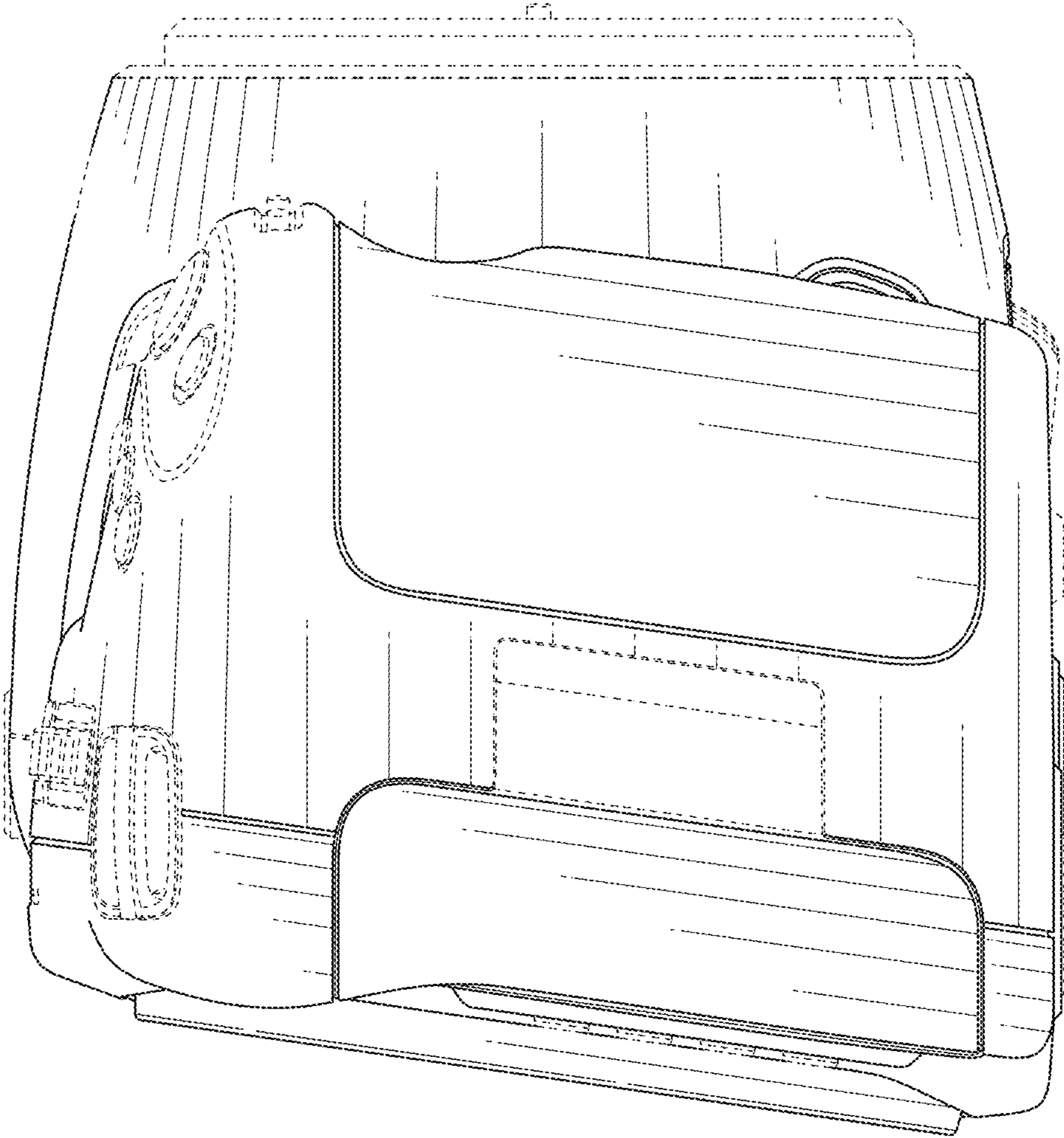


FIG. 5

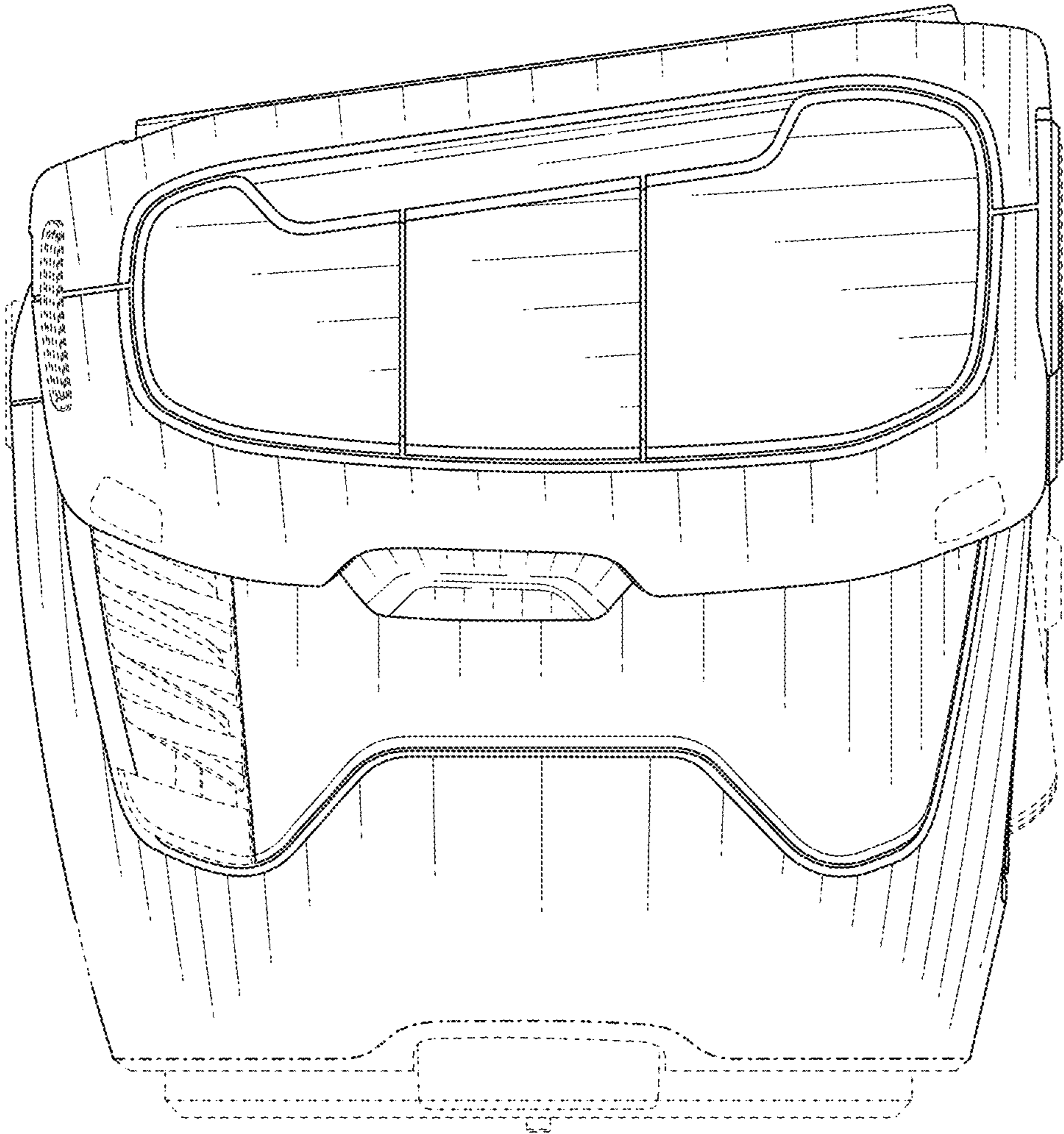


FIG. 6



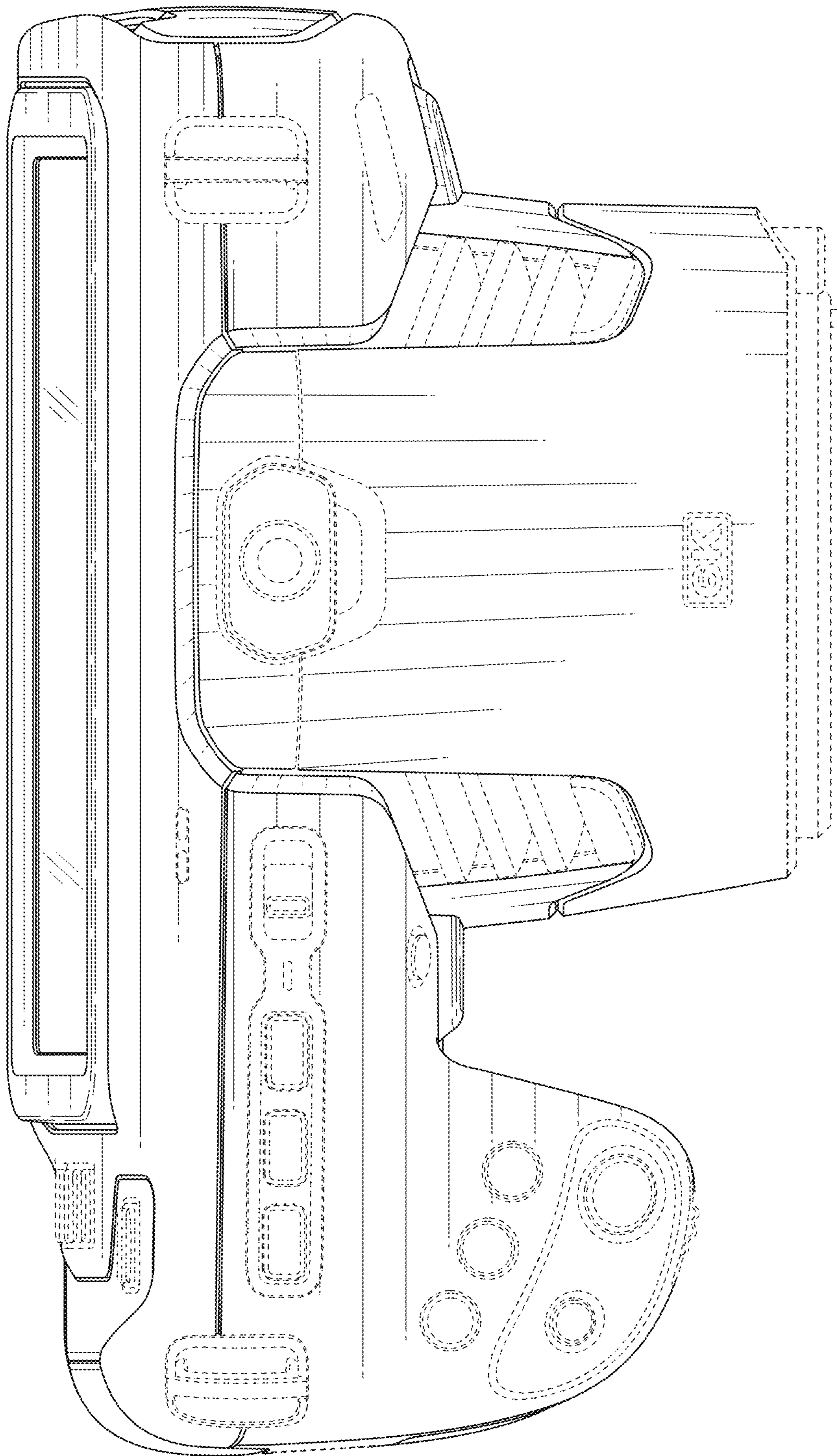


FIG. 7

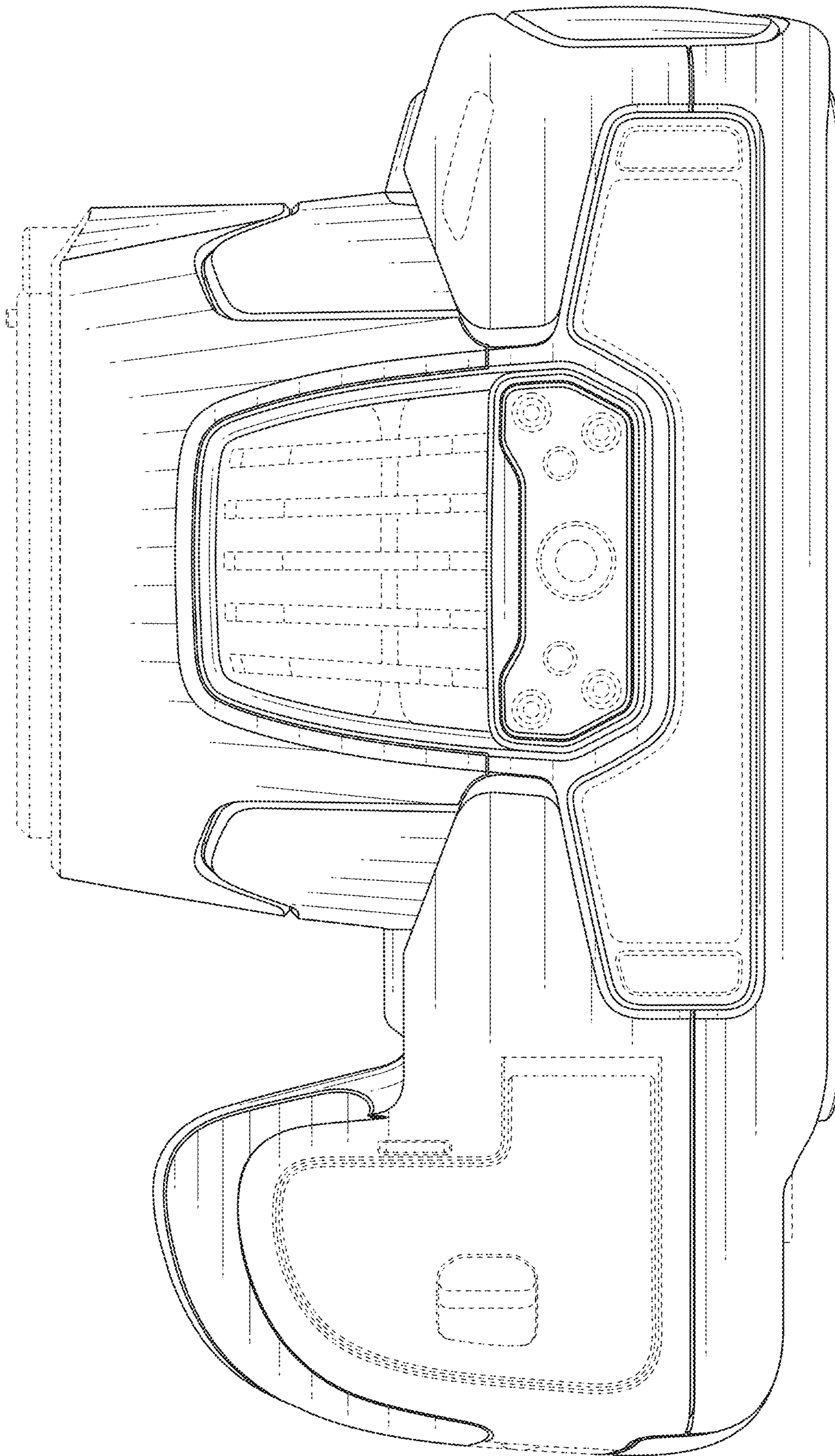


FIG. 8