



US00D937921S

(12) **United States Design Patent**  
**Huang**

(10) **Patent No.:** **US D937,921 S**

(45) **Date of Patent:** **\*\* Dec. 7, 2021**

- (54) **WATCH WINDER**
- (71) Applicant: **Yuemi Huang**, Shenzhen (CN)
- (72) Inventor: **Yuemi Huang**, Shenzhen (CN)
- (\*\*) Term: **15 Years**
- (21) Appl. No.: **29/747,849**
- (22) Filed: **Aug. 26, 2020**
- (51) **LOC (13) Cl.** ..... **15-99**
- (52) **U.S. Cl.**  
USPC ..... **D15/199**
- (58) **Field of Classification Search**  
USPC ..... D3/273-294, 298; D9/414, 418, 420,  
D9/421, 423, 431-432; D15/199  
CPC ... G04B 5/00; G04B 5/04; G04D 7/00; G04D  
7/009  
See application file for complete search history.

8,714,813 B2 *	5/2014	Liao	.....	H02J 50/10	368/206
D707,118 S *	6/2014	Au	.....	D9/420	
D719,991 S *	12/2014	Ko	.....	D15/199	
D781,944 S *	3/2017	Lee	.....	D15/199	
D886,879 S *	6/2020	Liu	.....	D15/199	
D886,880 S *	6/2020	Liu	.....	D15/199	
D905,144 S *	12/2020	Liang	.....	D15/199	
D905,773 S *	12/2020	Liang	.....	D15/199	
2005/0254352 A1 *	11/2005	Wolf, V	.....	G04D 7/009	368/206

\* cited by examiner

*Primary Examiner* — Patricia A Palasik

(74) *Attorney, Agent, or Firm* — Westbridge IP LLC

(57) **CLAIM**

The ornamental design for a watch winder, as shown and described.

**DESCRIPTION**

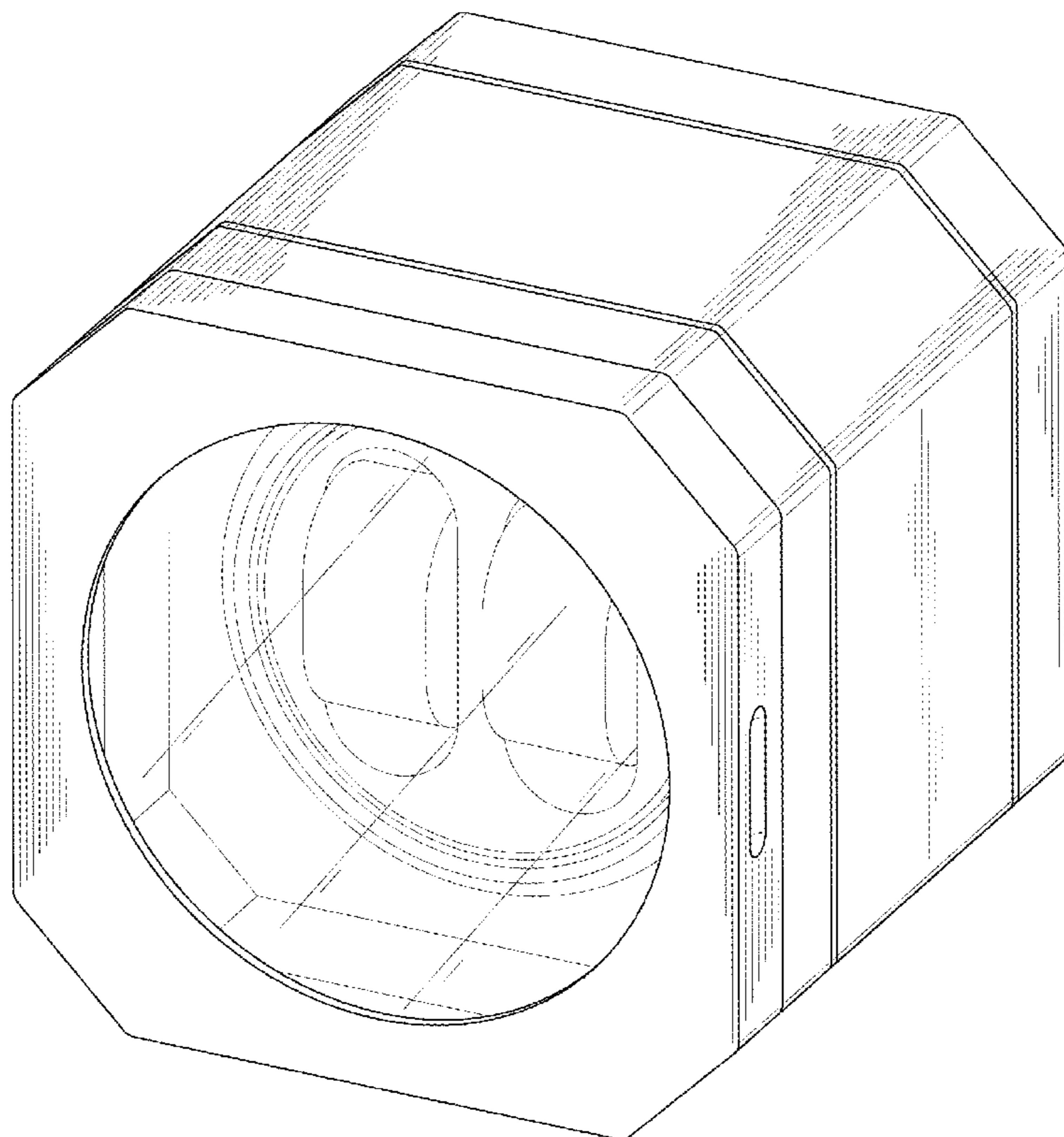
FIG. 1 is a front perspective view of a watch winder showing my new design;  
 FIG. 2 is a rear perspective view of FIG. 1;  
 FIG. 3 is a front elevational view of FIG. 1;  
 FIG. 4 is a rear elevational view of FIG. 1;  
 FIG. 5 is a left side view of FIG. 1;  
 FIG. 6 is a right side view of FIG. 1;  
 FIG. 7 is a top plan view of FIG. 1; and,  
 FIG. 8 is a bottom plan view of FIG. 1.  
 The broken lines in the drawings illustrate the portions of the watch winder which form no part of the claimed design.

**1 Claim, 8 Drawing Sheets**

(56) **References Cited**

**U.S. PATENT DOCUMENTS**

D507,709 S *	7/2005	Au	.....	D9/418
D510,210 S *	10/2005	Au	.....	D3/294
D514,848 S *	2/2006	Au	.....	D3/294
D520,540 S *	5/2006	Siu	.....	D15/199
7,530,733 B2 *	5/2009	Louie	.....	G04D 7/009
				368/206
7,575,367 B2 *	8/2009	Wolf, V	.....	G04B 3/006
				368/206
7,927,009 B2 *	4/2011	Huang	.....	G04D 7/009
				368/206



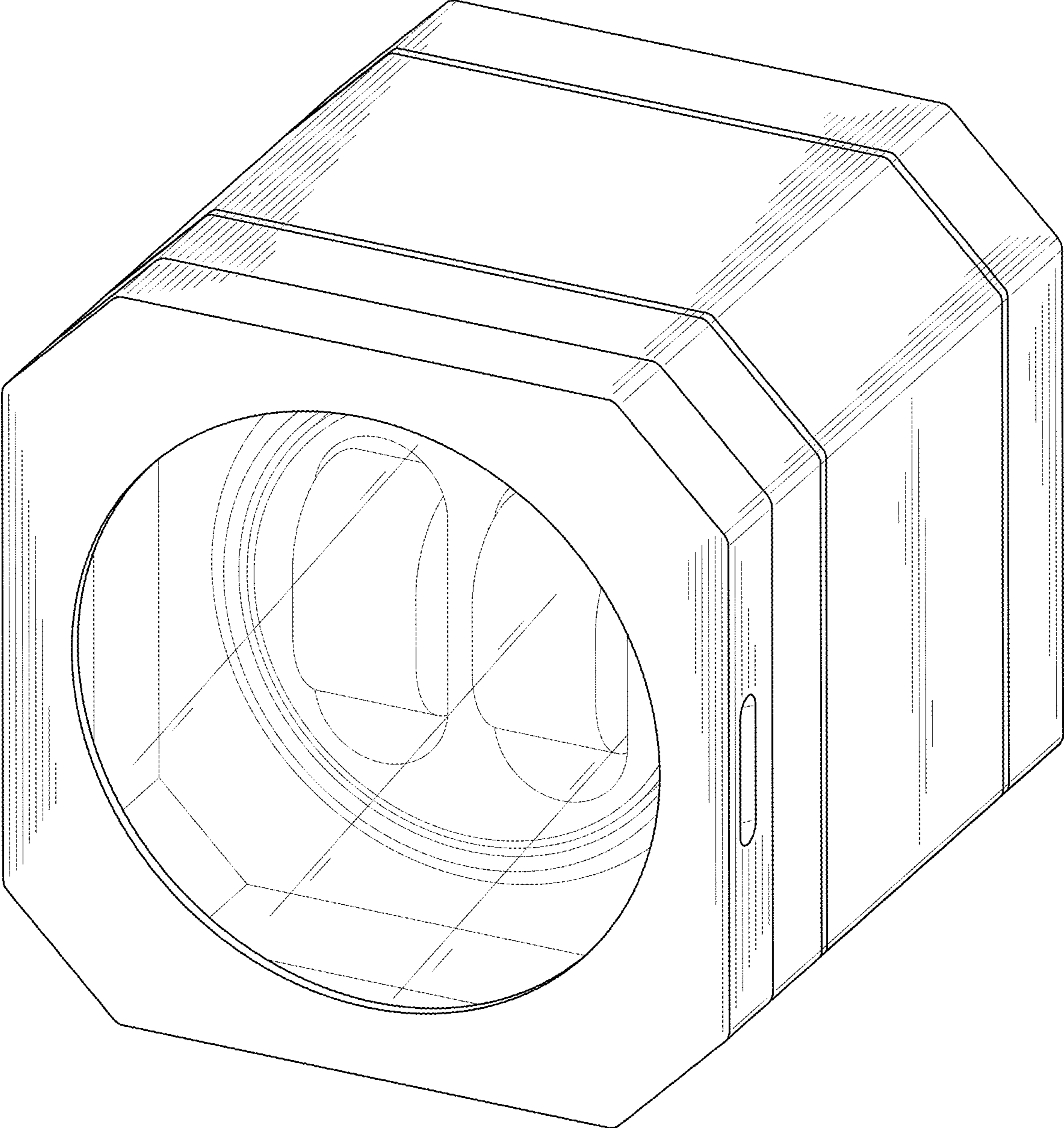


FIG. 1

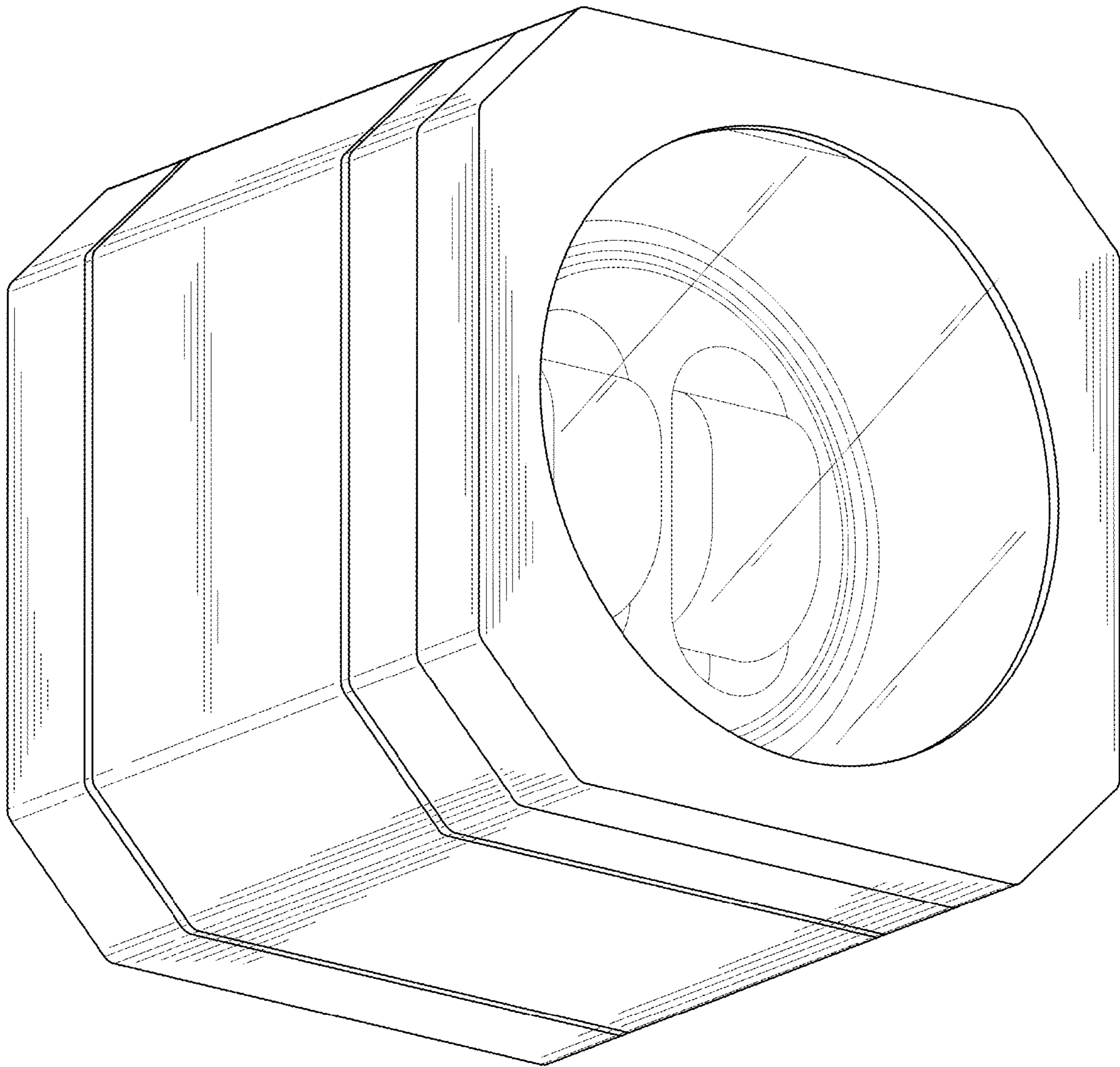


FIG. 2

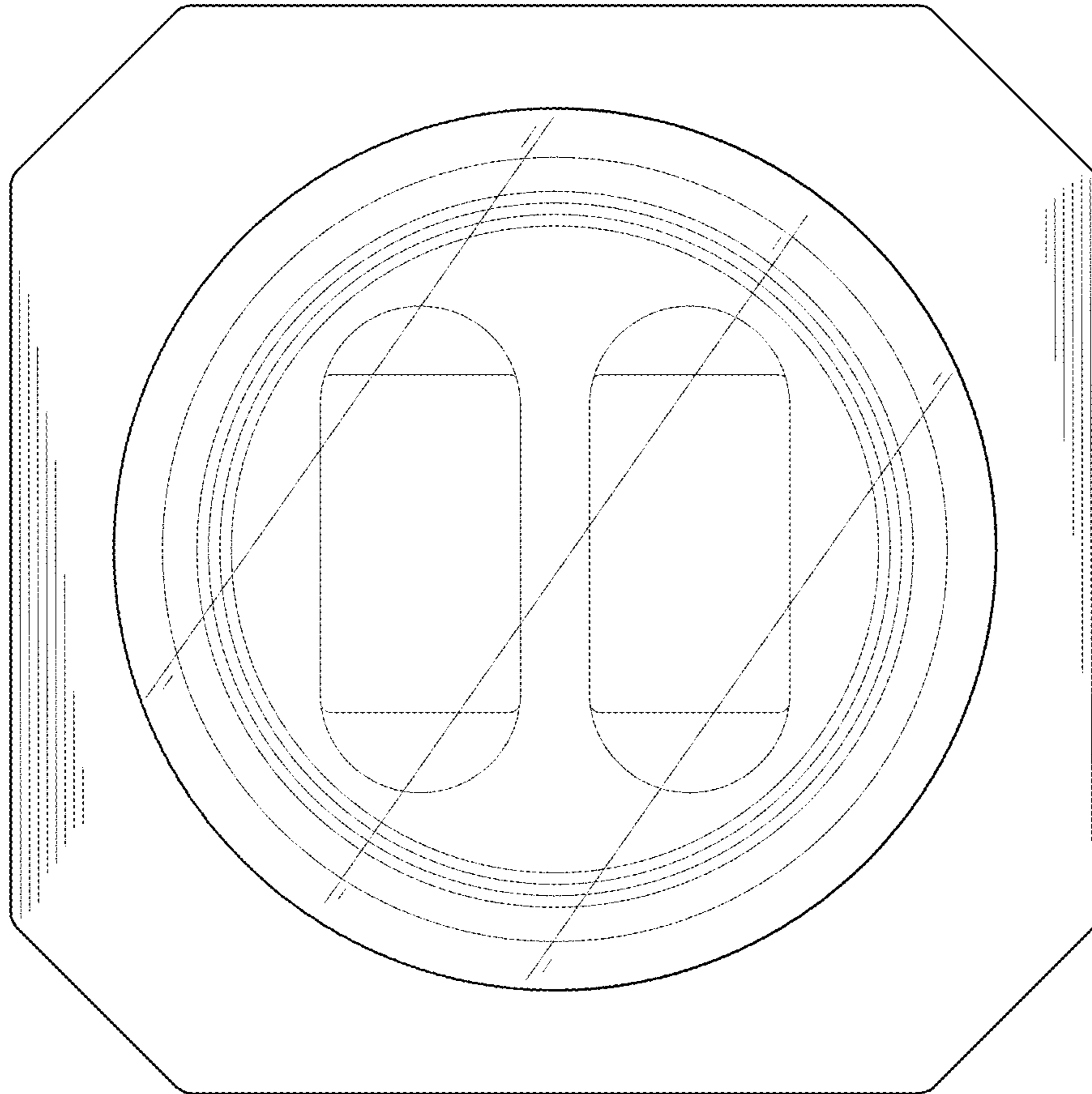


FIG. 3

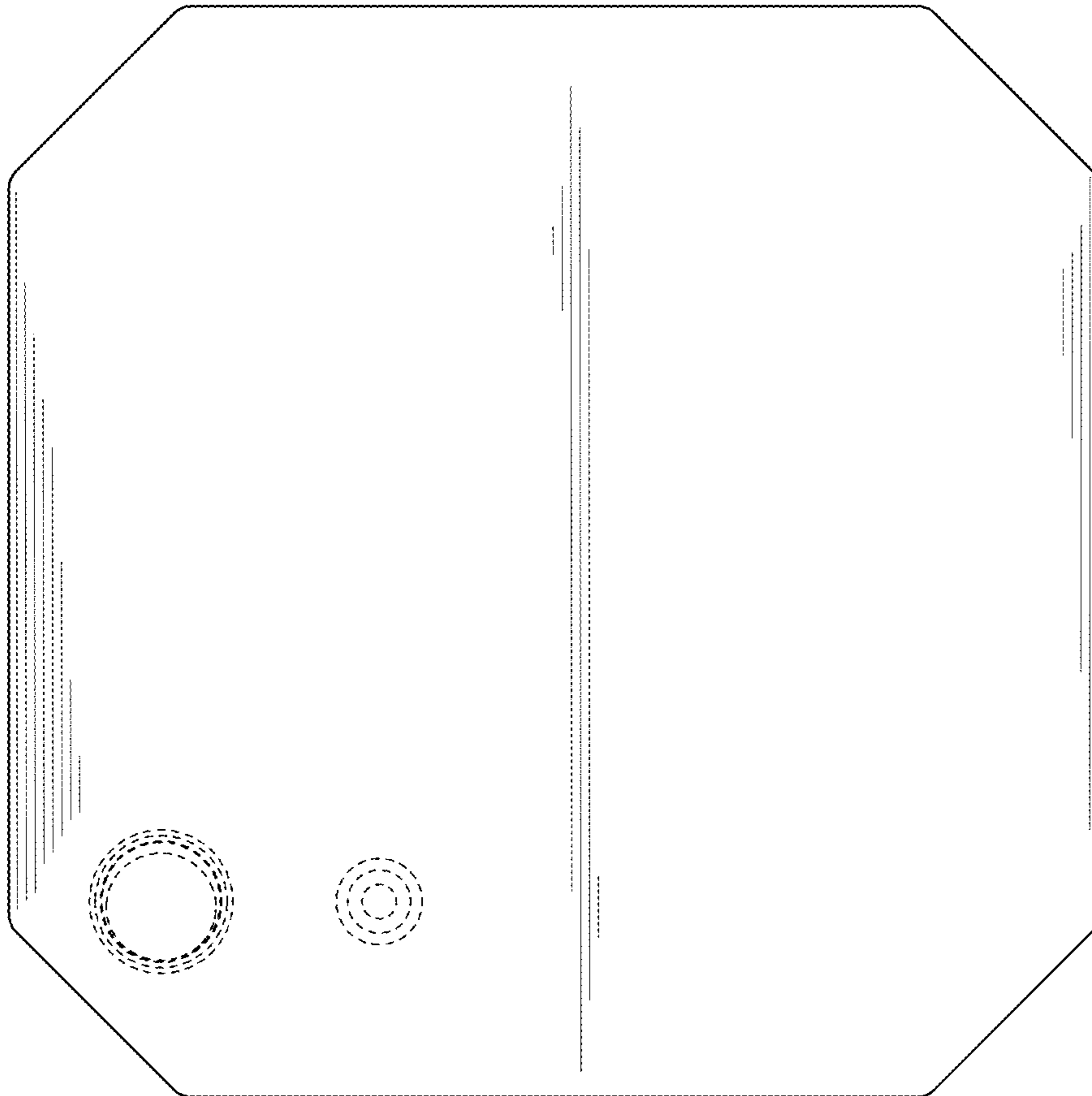


FIG. 4

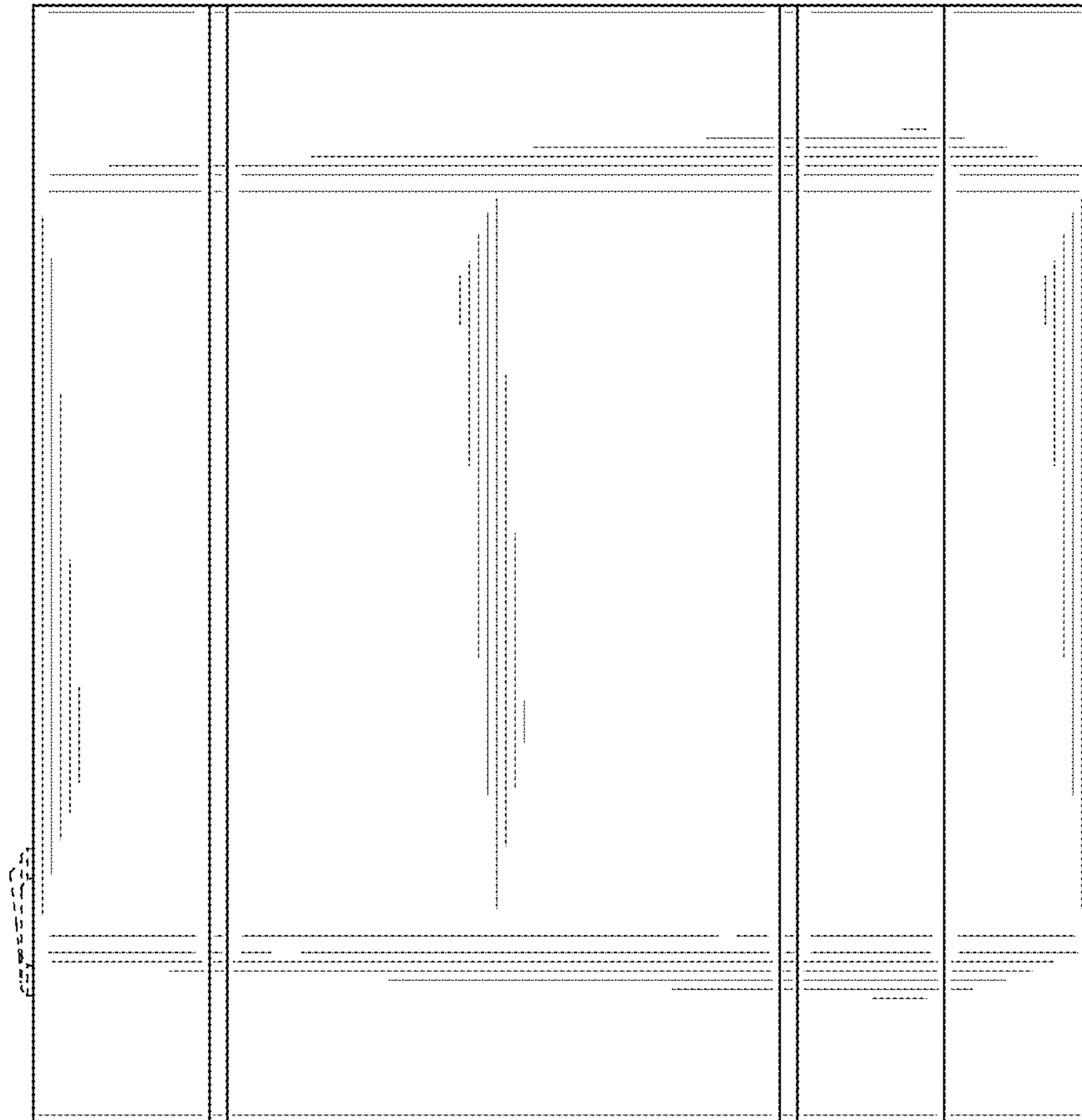


FIG. 5

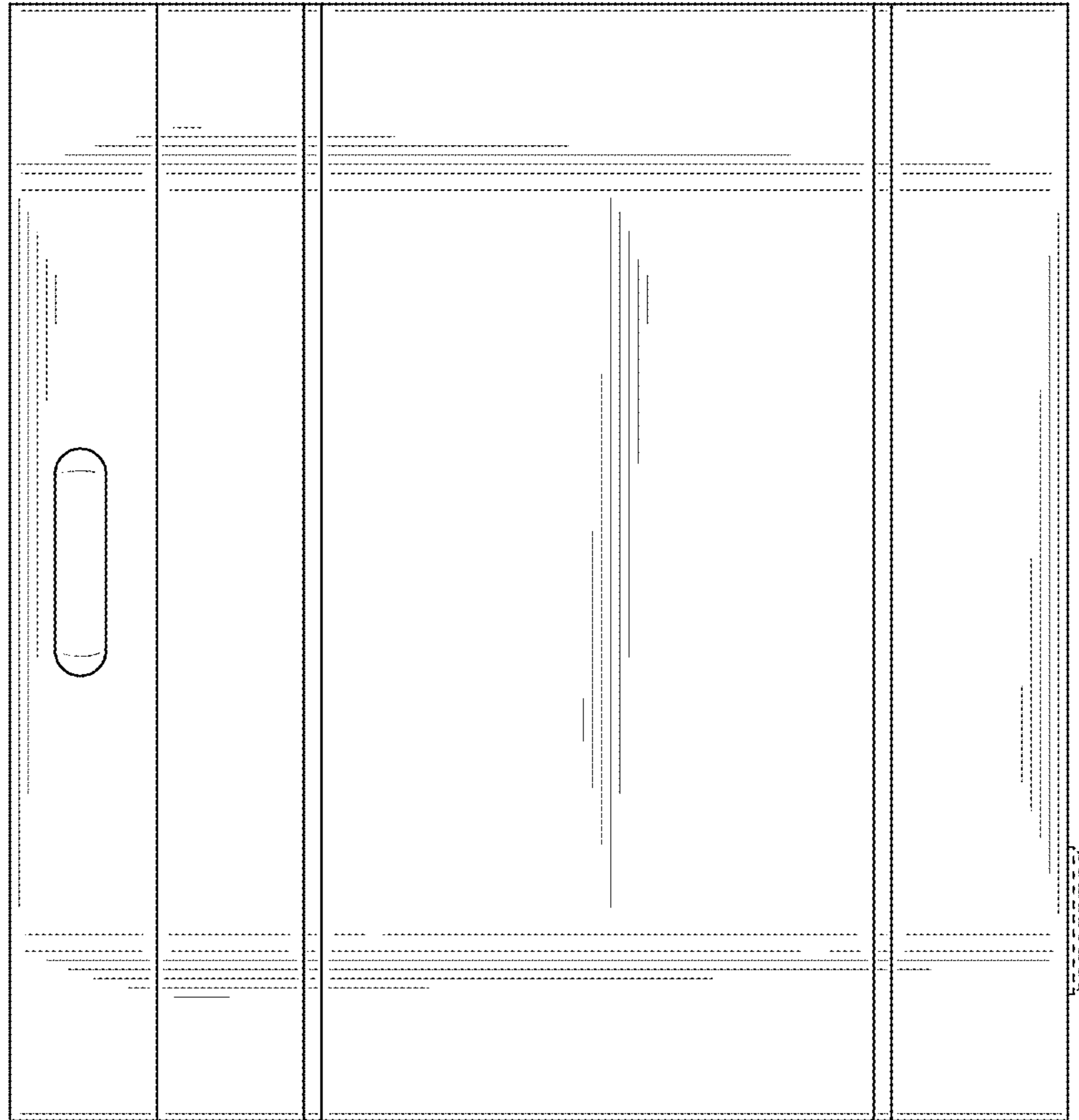


FIG. 6

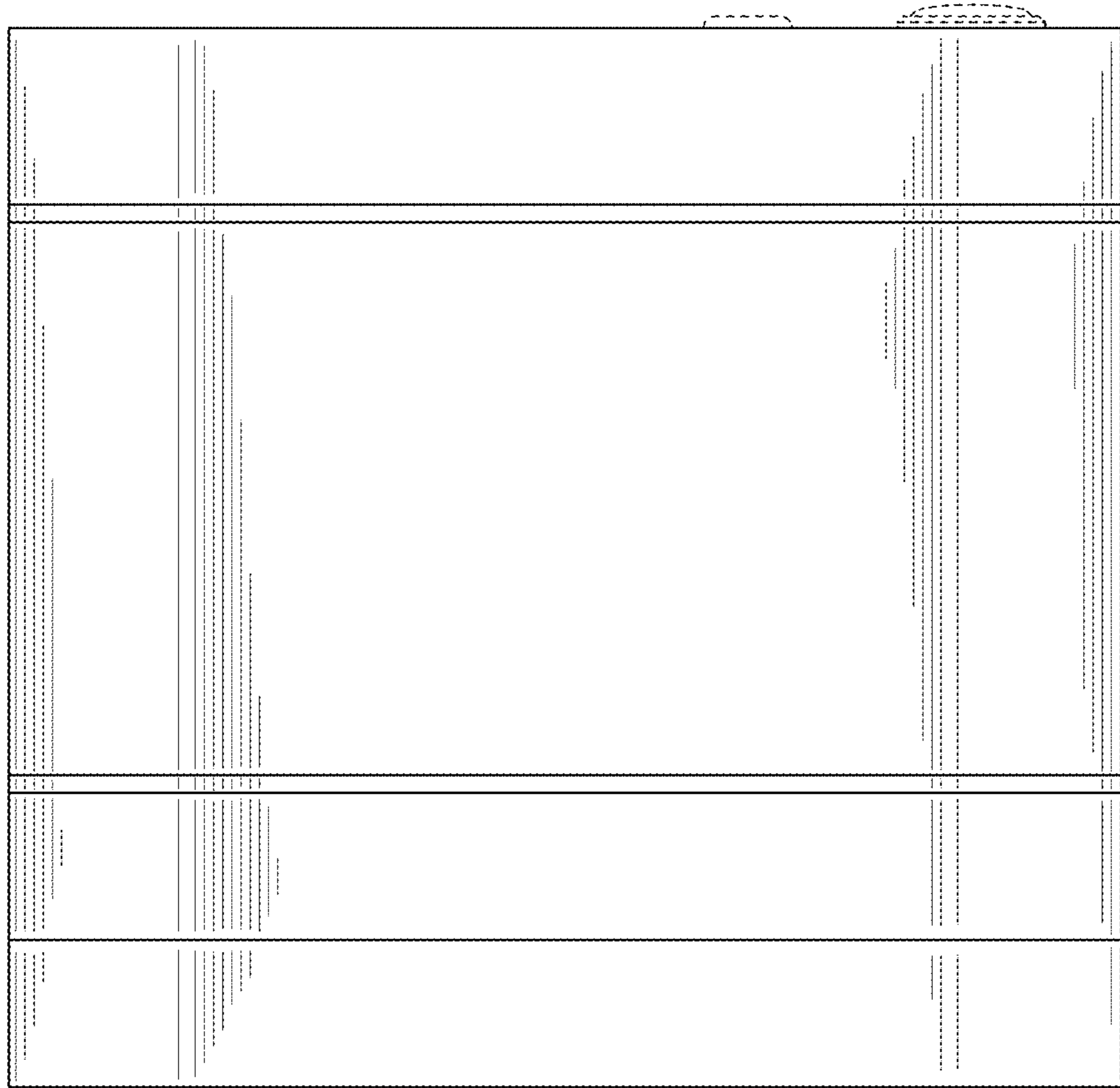


FIG. 7



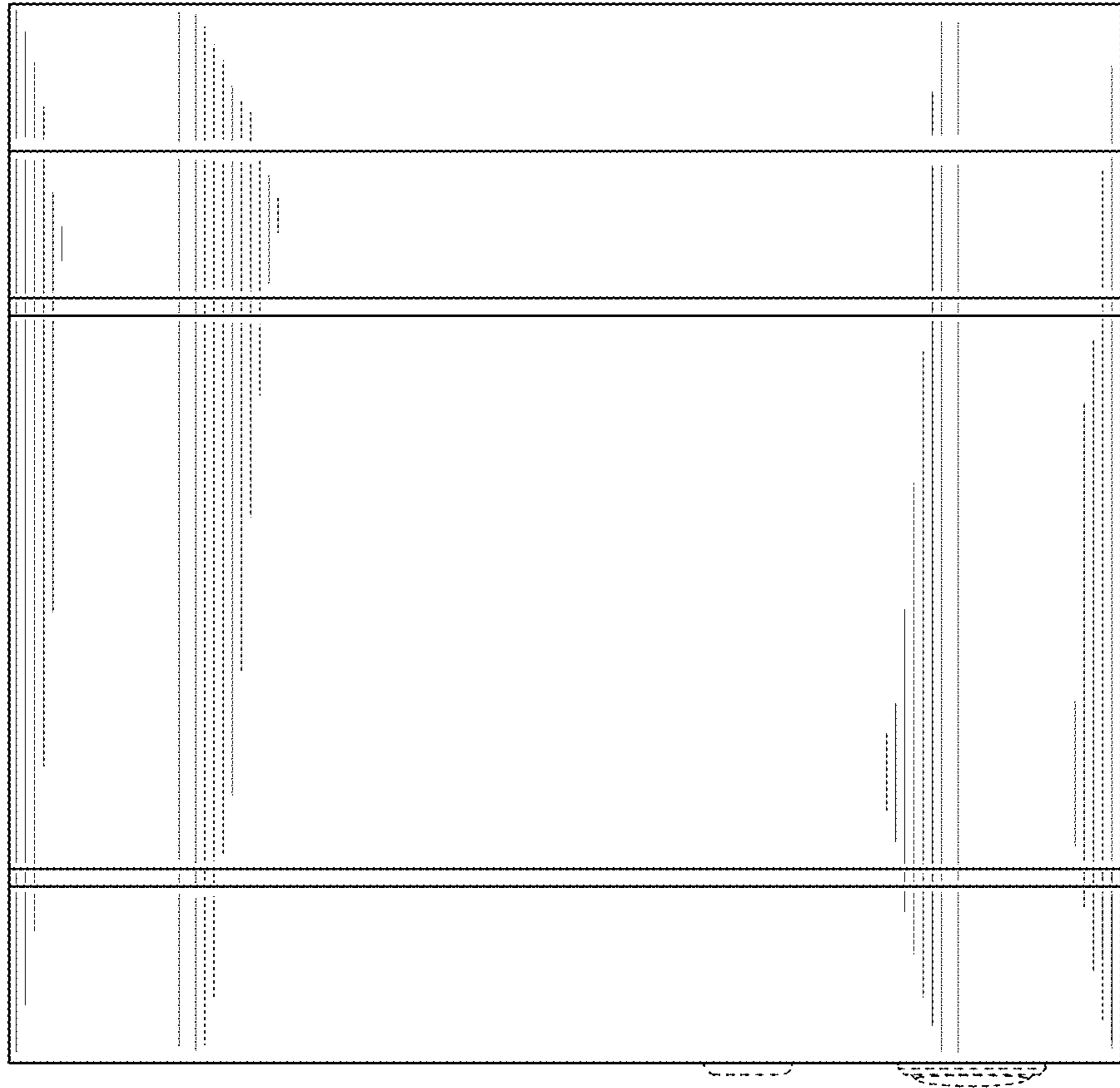


FIG. 8