



US00D937920S

(12) **United States Design Patent** (10) **Patent No.:** **US D937,920 S**  
**Gidwell** (45) **Date of Patent:** **\*\* Dec. 7, 2021**

(54) **VIRTUAL MOBILITY ROBOT**  
(71) Applicant: **Toyota Research Institute, Inc.**, Los Altos, CA (US)  
(72) Inventor: **Christopher Tidwell**, Sherborn, MA (US)  
(73) Assignee: **TOYOTA RESEARCH INSTITUTE, INC.**, Los Altos, CA (US)

D857,073 S \* 8/2019 Gayne ..... D15/199  
D859,485 S \* 9/2019 Sutherland ..... D15/199  
D869,533 S \* 12/2019 Kim ..... D15/199  
D870,787 S \* 12/2019 Kim ..... D15/199  
D870,788 S \* 12/2019 Kim ..... D15/199  
D871,477 S \* 12/2019 Kolb ..... D15/199  
D872,788 S \* 1/2020 Sutherland ..... D15/199  
D873,173 S \* 1/2020 Brucker ..... D12/1  
D879,174 S \* 3/2020 Kammermeier ..... D15/199  
D879,852 S \* 3/2020 Chen ..... D15/199  
D884,764 S \* 5/2020 Mori ..... D15/199

(Continued)

(\*\*) Term: **15 Years**

**FOREIGN PATENT DOCUMENTS**

(21) Appl. No.: **29/717,846**

JP 1655898 3/2020

(22) Filed: **Dec. 19, 2019**

**OTHER PUBLICATIONS**

(51) **LOC (13) Cl.** ..... **15-99**

(52) **U.S. Cl.** ..... **D15/199**  
USPC .....

Japanese Design Application No. 2020-012273, Notice of Reasons for Rejection, dated Jun. 30, 2020.

(Continued)

(58) **Field of Classification Search**  
USPC ..... D15/199; D21/578-583, 621, 622; D32/21; D34/34  
CPC ..... B23K 9/133; B23K 9/287; B25J 9/0018; B25J 19/0025; Y10T 74/20; Y10T 74/20207; Y10T 74/20311; Y10T 74/20305; Y10S 901/01  
See application file for complete search history.

*Primary Examiner* — Patricia A Palasik  
(74) *Attorney, Agent, or Firm* — Dinsmore & Shohl LLP

(57) **CLAIM**

The ornamental design for a virtual mobility robot, as shown and described.

(56) **References Cited**

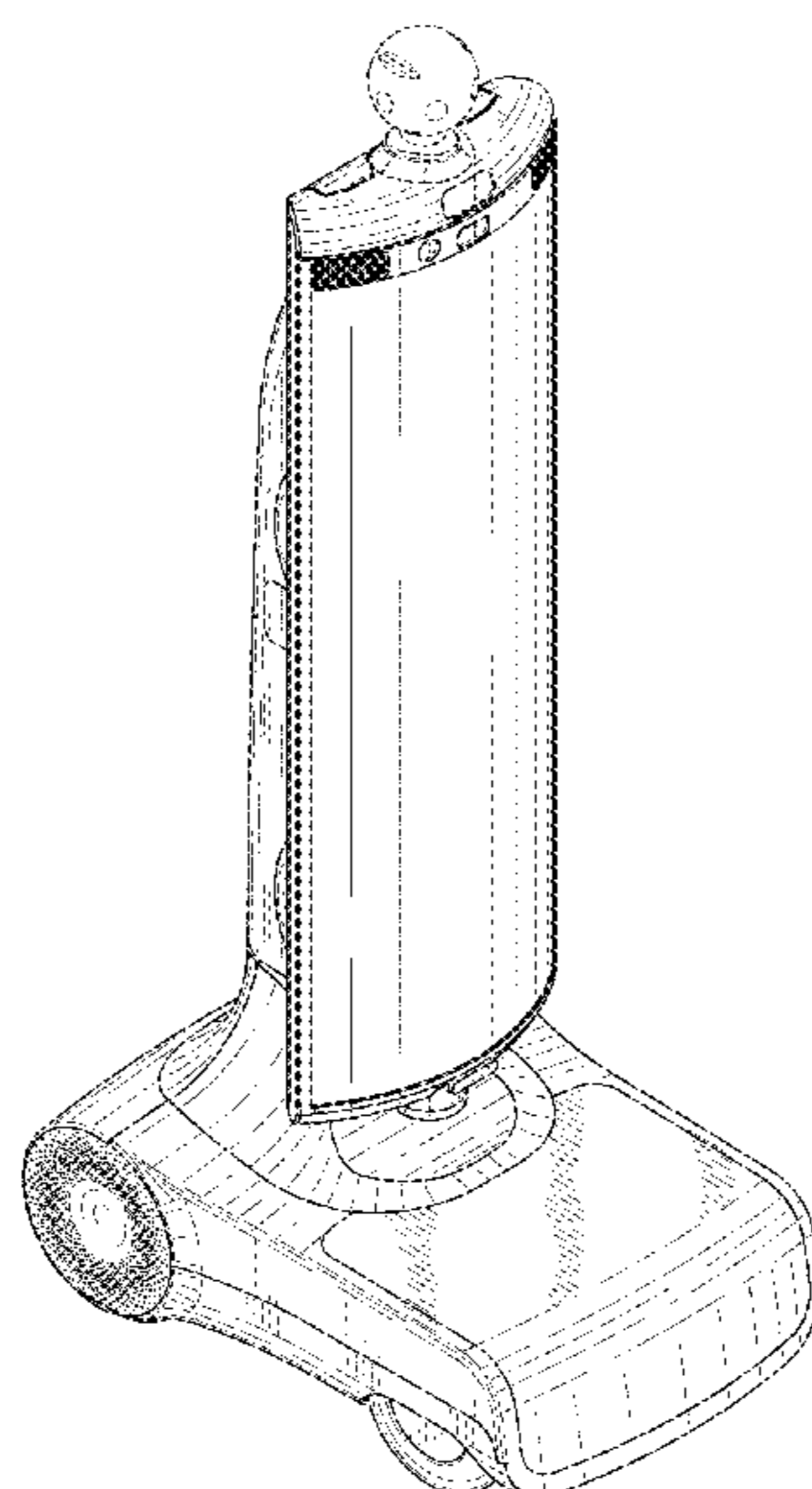
**DESCRIPTION**

**U.S. PATENT DOCUMENTS**

D295,105 S \* 4/1988 Dawson ..... D34/18  
D810,167 S \* 2/2018 Yang ..... D15/199  
D810,799 S \* 2/2018 Sokuza ..... D15/199  
D811,458 S \* 2/2018 Wang ..... D15/199  
D813,281 S \* 3/2018 Kittmann ..... D15/199  
D817,375 S \* 5/2018 Deyle ..... D15/199  
D819,711 S \* 6/2018 Li ..... D15/199  
D837,852 S \* 1/2019 Nilsson ..... D15/199  
D840,453 S \* 2/2019 Yoo ..... D15/199  
D841,067 S \* 2/2019 Camporesi ..... D15/199  
D849,813 S \* 5/2019 Sutherland ..... D15/199  
D855,673 S \* 8/2019 Sutherland ..... D15/199

FIG. 1 is a front perspective view of a virtual mobility robot illustrating my new design;  
FIG. 2 is a front view of the design of FIG. 1;  
FIG. 3 is a rear view of the design of FIG. 1;  
FIG. 4 is a side view of the design of FIG. 1;  
FIG. 5 is a side view of the design of FIG. 1;  
FIG. 6 is a top view of the design of FIG. 1; and,  
FIG. 7 is a bottom view of the design of FIG. 1.  
The broken lines represent portions of the structure that form no part of the claim.

**1 Claim, 7 Drawing Sheets**



(56)

**References Cited**

U.S. PATENT DOCUMENTS

D887,468	S *	6/2020	Hirvesaar .....	D15/199
D888,790	S *	6/2020	Yao .....	D15/199
D890,239	S *	7/2020	Srivastava .....	D15/199
D892,188	S *	8/2020	Galluzzo .....	D15/199
D893,570	S *	8/2020	Zheng .....	D15/199
D894,987	S *	9/2020	Li .....	D15/199
D915,486	S *	4/2021	Gidwell .....	D15/199
D921,080	S *	6/2021	Chen .....	D15/199
D924,294	S *	7/2021	Gidwell .....	D15/199
2004/0042885	A1 *	3/2004	Rokkaku .....	B60L 15/38 414/529
2009/0035181	A1 *	2/2009	Chung .....	G01N 35/0099 422/68.1
2010/0316468	A1 *	12/2010	Lert .....	B65G 1/1373 414/273
2011/0135189	A1 *	6/2011	Lee .....	B25J 9/1682 382/153
2014/0074287	A1 *	3/2014	LaFary .....	B25J 9/1676 700/253
2015/0073589	A1 *	3/2015	Khodl .....	B65G 1/1378 700/218
2017/0337506	A1 *	11/2017	Wise .....	G06Q 10/087
2018/0072212	A1 *	3/2018	Alfaro .....	G05D 1/0278
2018/0099811	A1 *	4/2018	Shen .....	B66F 9/063

OTHER PUBLICATIONS

Japanese Design Application No. 2020-012273, Notice of Reasons for Rejection, dated Nov. 10, 2020.

\* cited by examiner

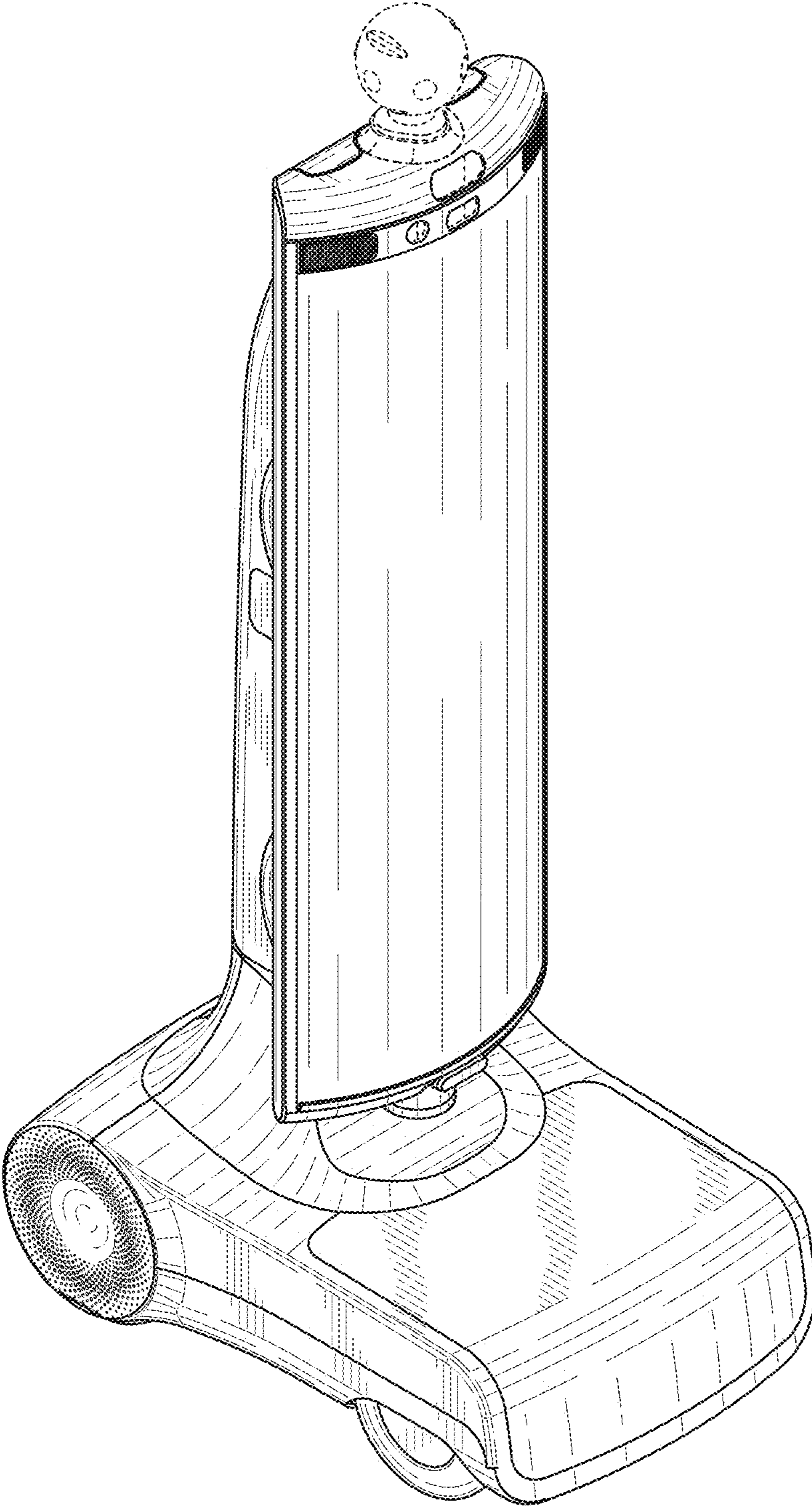


FIG. 1

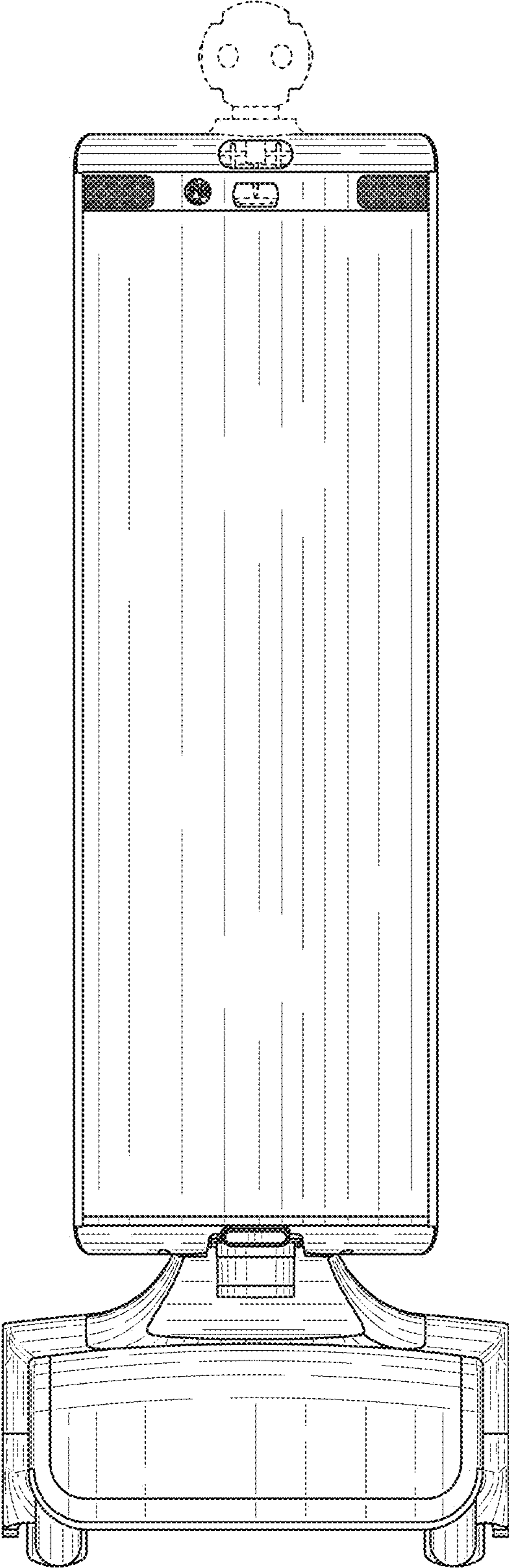


FIG. 2

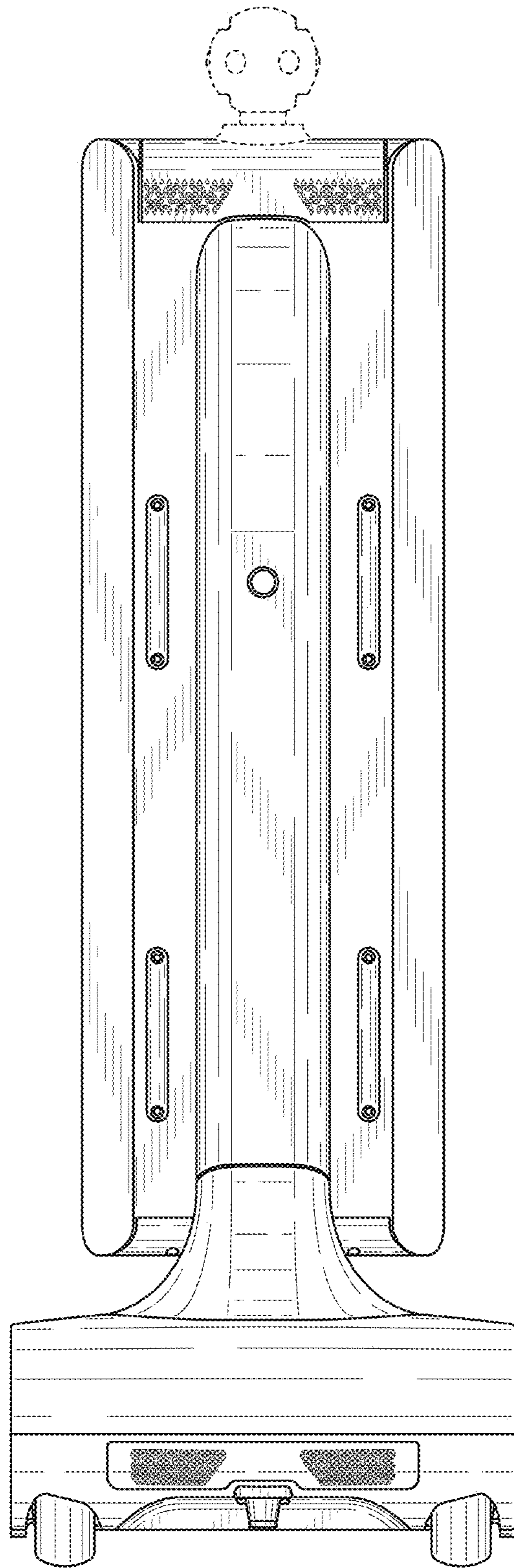


FIG. 3

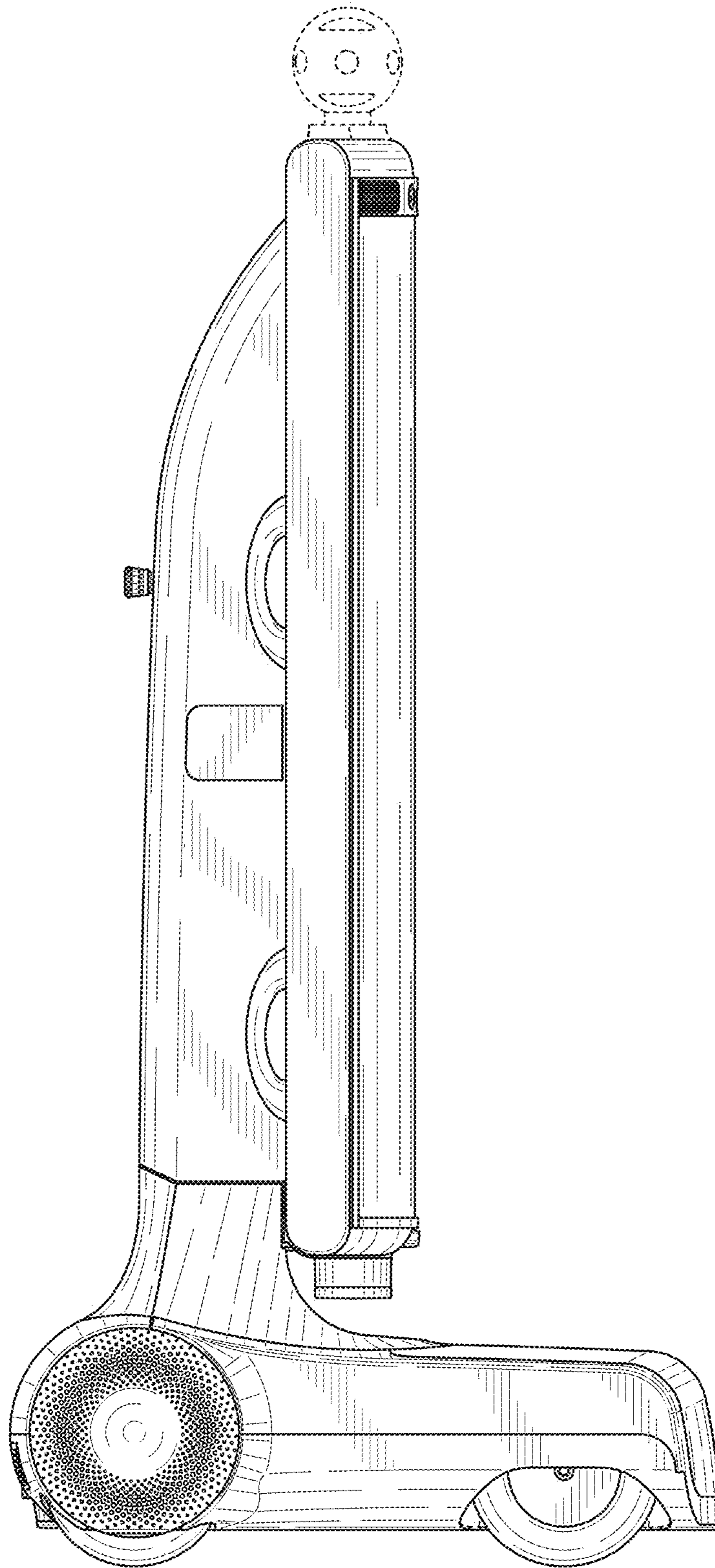


FIG. 4

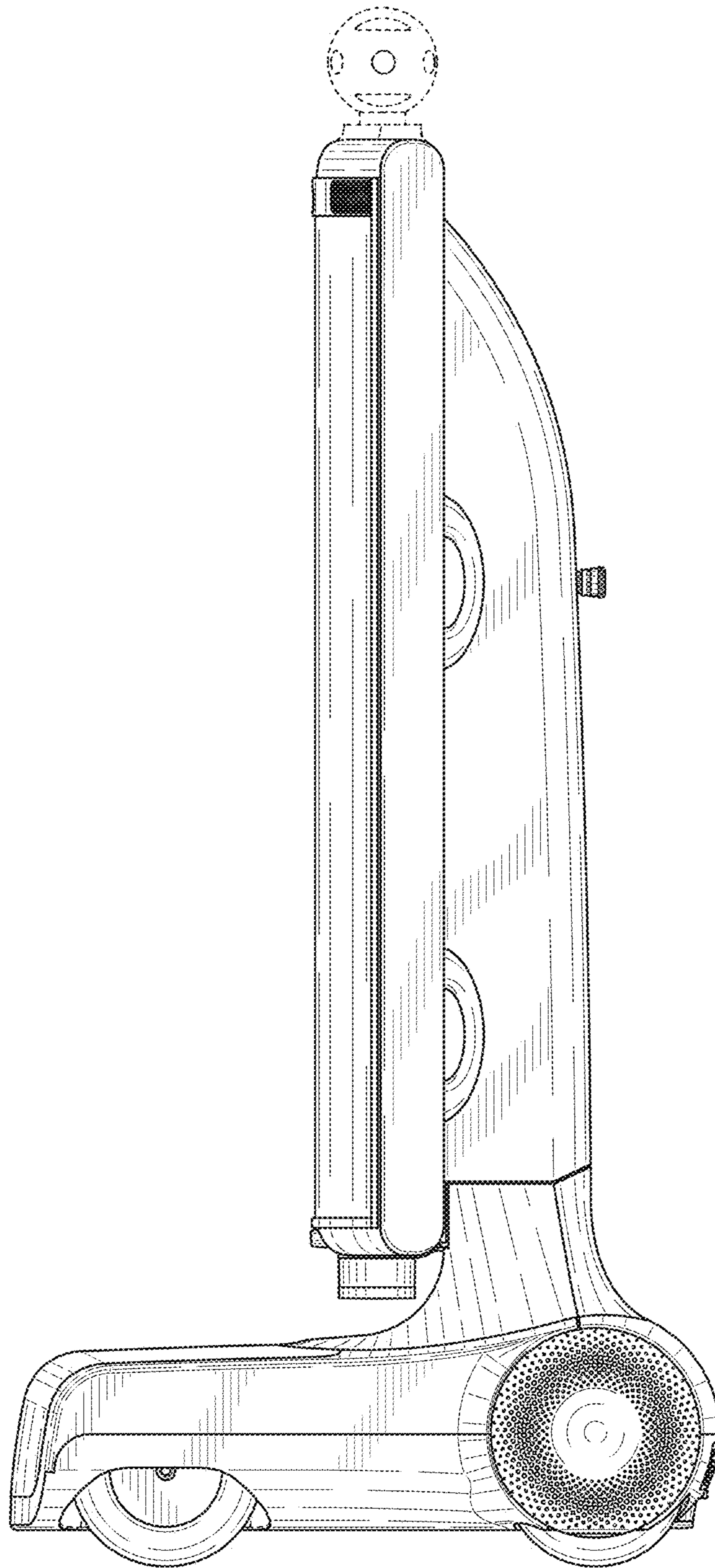


FIG. 5

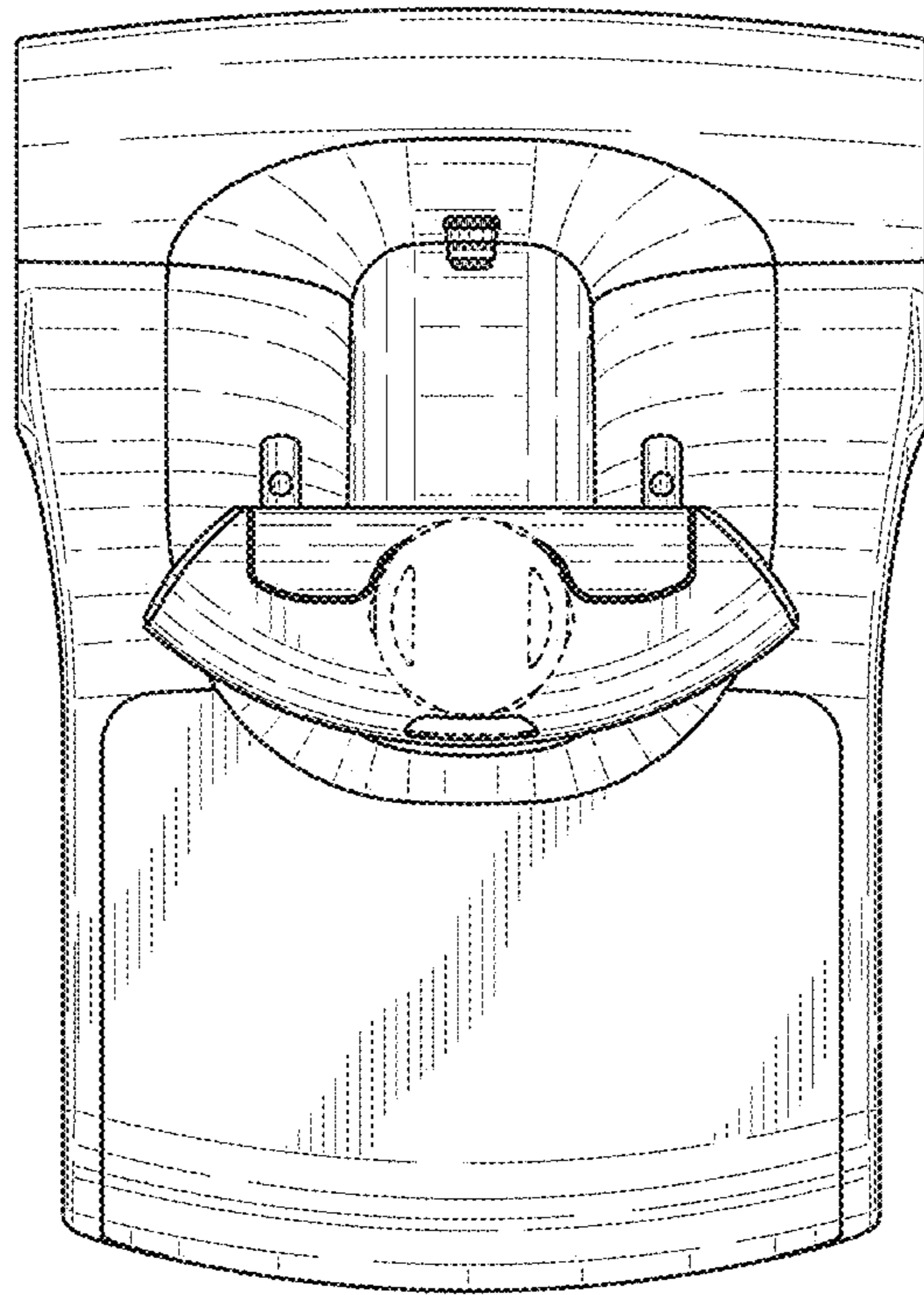


FIG. 6



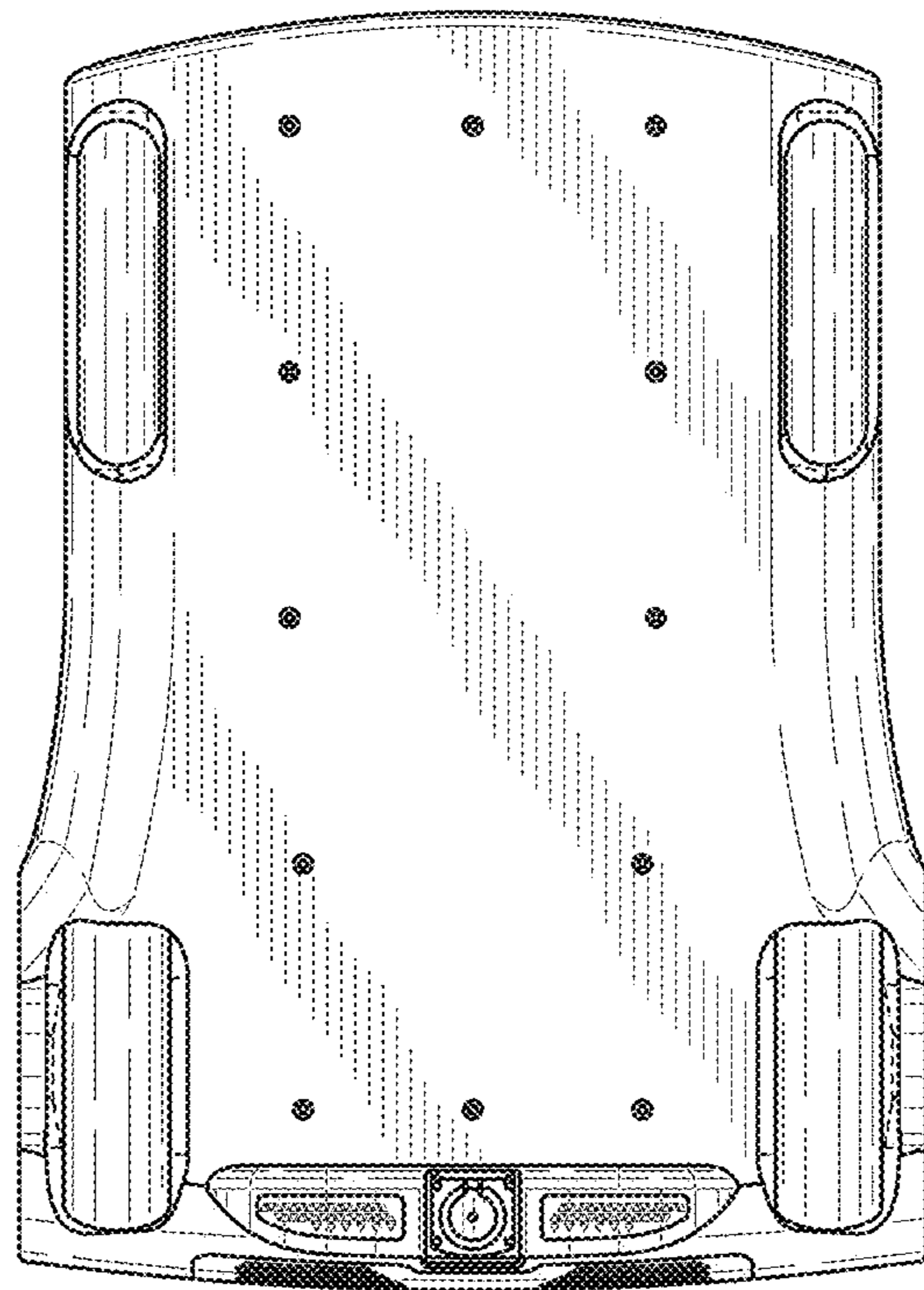


FIG. 7