

US00D937915S

(12) **United States Design Patent**  
**Gou**

(10) **Patent No.:** **US D937,915 S**

(45) **Date of Patent:** **\*\* Dec. 7, 2021**

(54) **CONTROLLING APPARATUS FOR  
SOLDERING**

(71) Applicant: **Guangzhou Yihua Electronic  
Equipment Co., Ltd., Guangdong (CN)**

(72) Inventor: **Mingkang Gou, Guangdong (CN)**

(73) Assignee: **Guangzhou Yihua Electronic  
Equipment Co., Ltd., Guangdong (CN)**

(\*\*) Term: **15 Years**

(21) Appl. No.: **29/748,319**

(22) Filed: **Aug. 28, 2020**

(51) **LOC (13) Cl.** ..... **15-09**

(52) **U.S. Cl.**  
USPC ..... **D15/144.2**

(58) **Field of Classification Search**  
USPC ..... D8/29, 29.1, 29.2, 30, 71; D10/46, 50,  
D10/78; D13/123, 133; D14/126;  
D15/122, 123, 127, 144, 144.1, 144.2  
CPC ..... B23K 3/0338; B23K 3/2214; G02B  
27/2214; G02B 6/06  
See application file for complete search history.

(56) **References Cited**

**U.S. PATENT DOCUMENTS**

D428,427 S \* 7/2000 Neef ..... D15/144.2  
D527,402 S \* 8/2006 Loch ..... D15/144.2  
D530,349 S \* 10/2006 Ishihara ..... D15/144.2

D576,459 S \* 9/2008 Mochizuki ..... D8/30  
D590,853 S \* 4/2009 Yokoyama ..... D15/144.2  
D656,525 S \* 3/2012 Mochizuki ..... D15/144.2  
D740,339 S \* 10/2015 Teraoka ..... D15/144.2  
D829,790 S \* 10/2018 Gou ..... D15/144  
D831,716 S \* 10/2018 Gou ..... D15/144  
D831,717 S \* 10/2018 Gou ..... D15/144  
D888,789 S \* 6/2020 Gou ..... D15/144.2  
D912,113 S \* 3/2021 Gou ..... D15/144.2  
D920,403 S \* 5/2021 Gou ..... D15/144  
D920,404 S \* 5/2021 Gou ..... D15/144

\* cited by examiner

*Primary Examiner* — Michael C Stout

*Assistant Examiner* — Fritzgerald L Butac

(74) *Attorney, Agent, or Firm* — Lucas & Mercanti, LLP

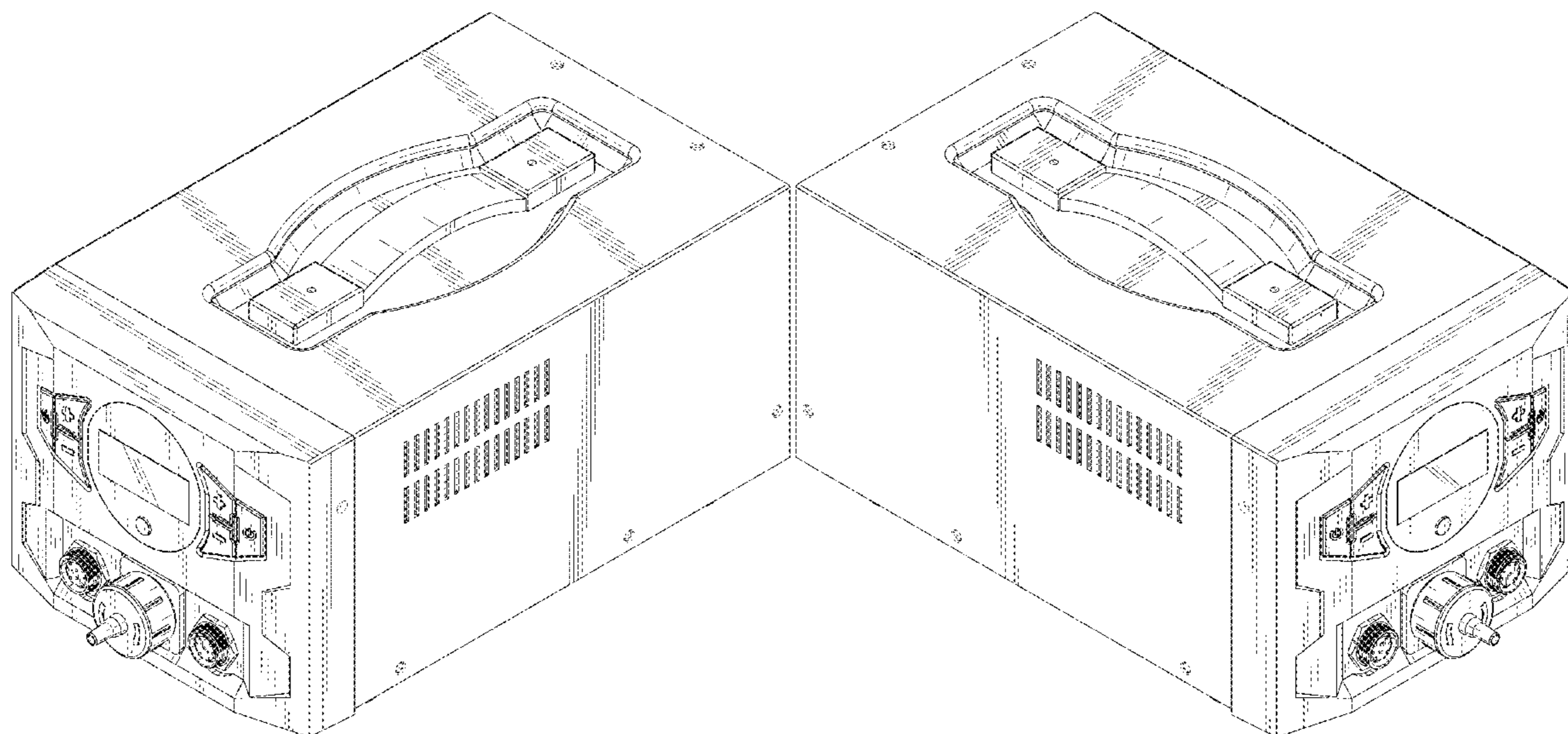
(57) **CLAIM**

The ornamental design for a controlling apparatus for soldering, as shown and described.

**DESCRIPTION**

FIG. 1 is a top, front, left side perspective view of the controlling apparatus;  
FIG. 2 is a top, front, right side perspective view thereof;  
FIG. 3 is a front view thereof;  
FIG. 4 is a rear view thereof;  
FIG. 5 is a top view thereof;  
FIG. 6 is a bottom view thereof;  
FIG. 7 is a left side view thereof; and,  
FIG. 8 is a right side view thereof.  
The broken lines show portions of a controlling apparatus for soldering which forms no part of the claimed design.

**1 Claim, 8 Drawing Sheets**



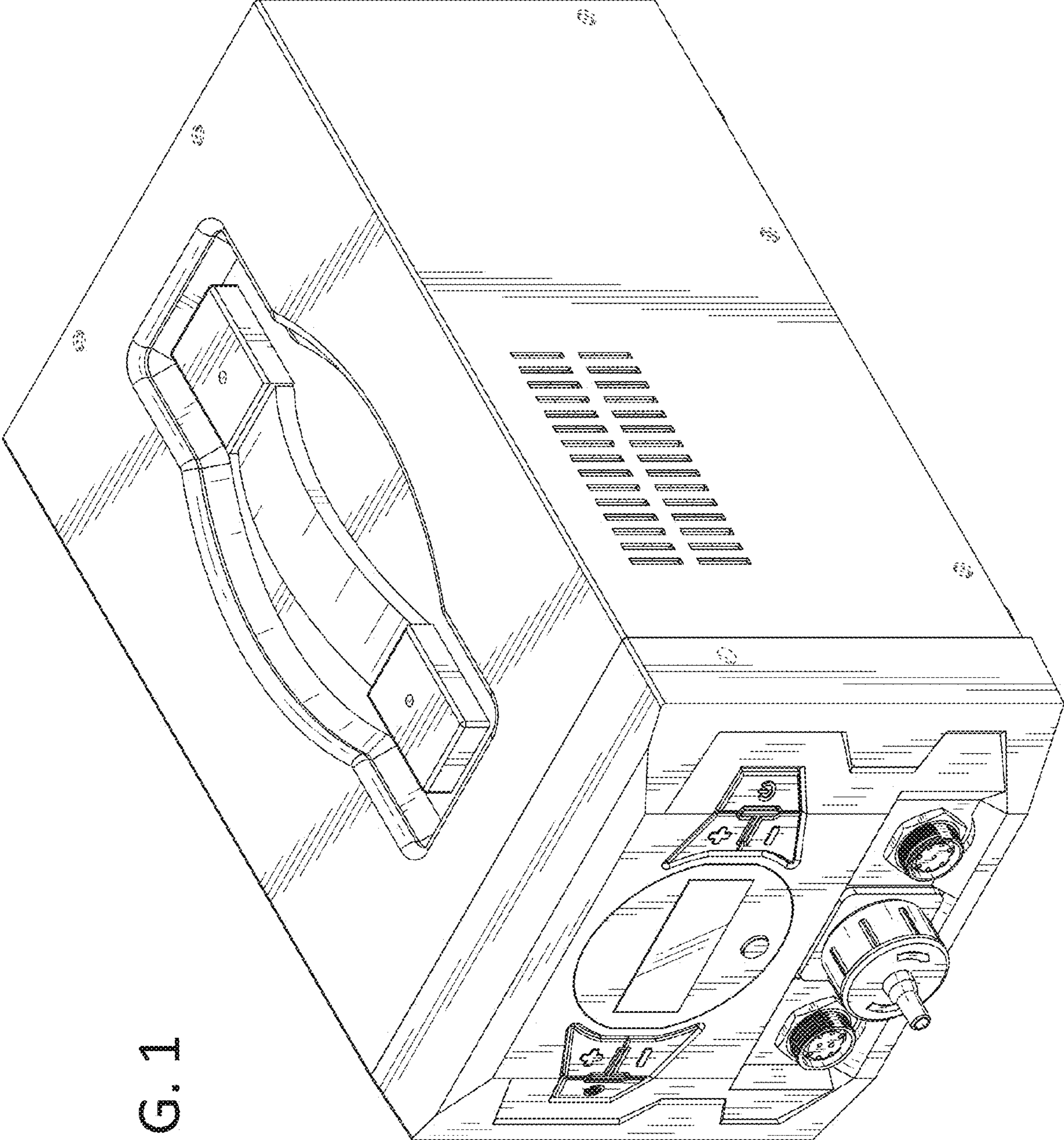
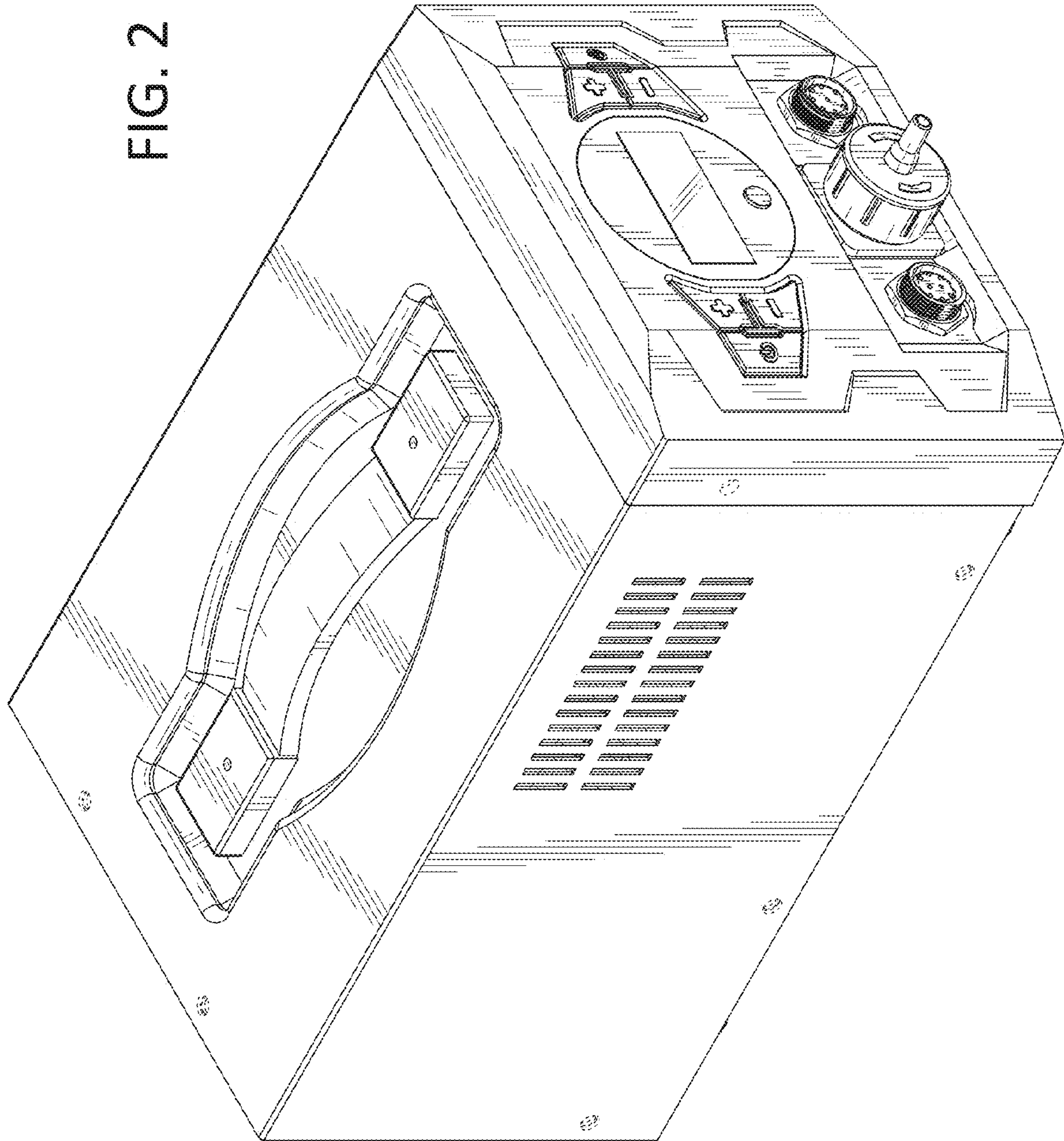


FIG. 1

FIG. 2



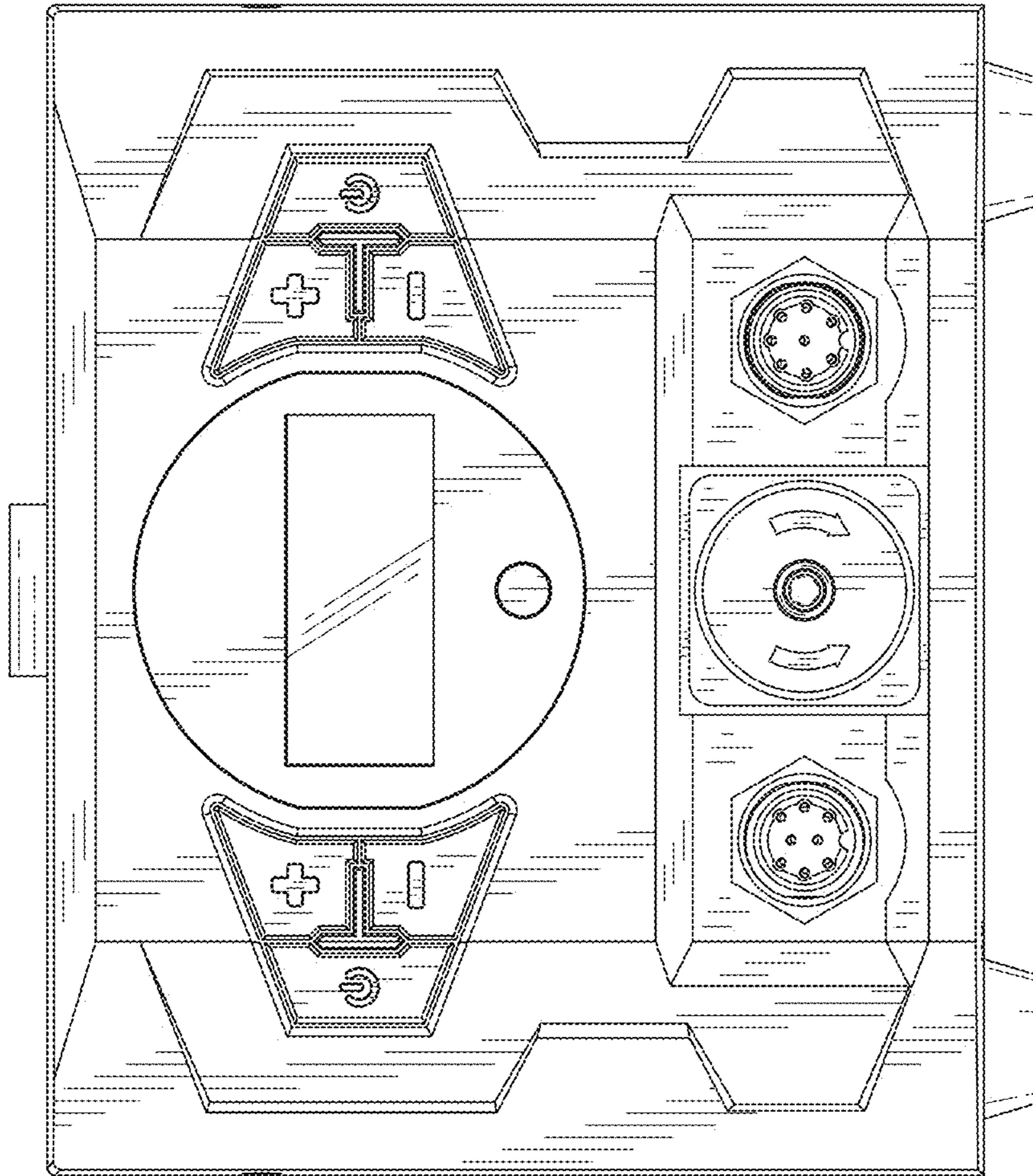


FIG. 3

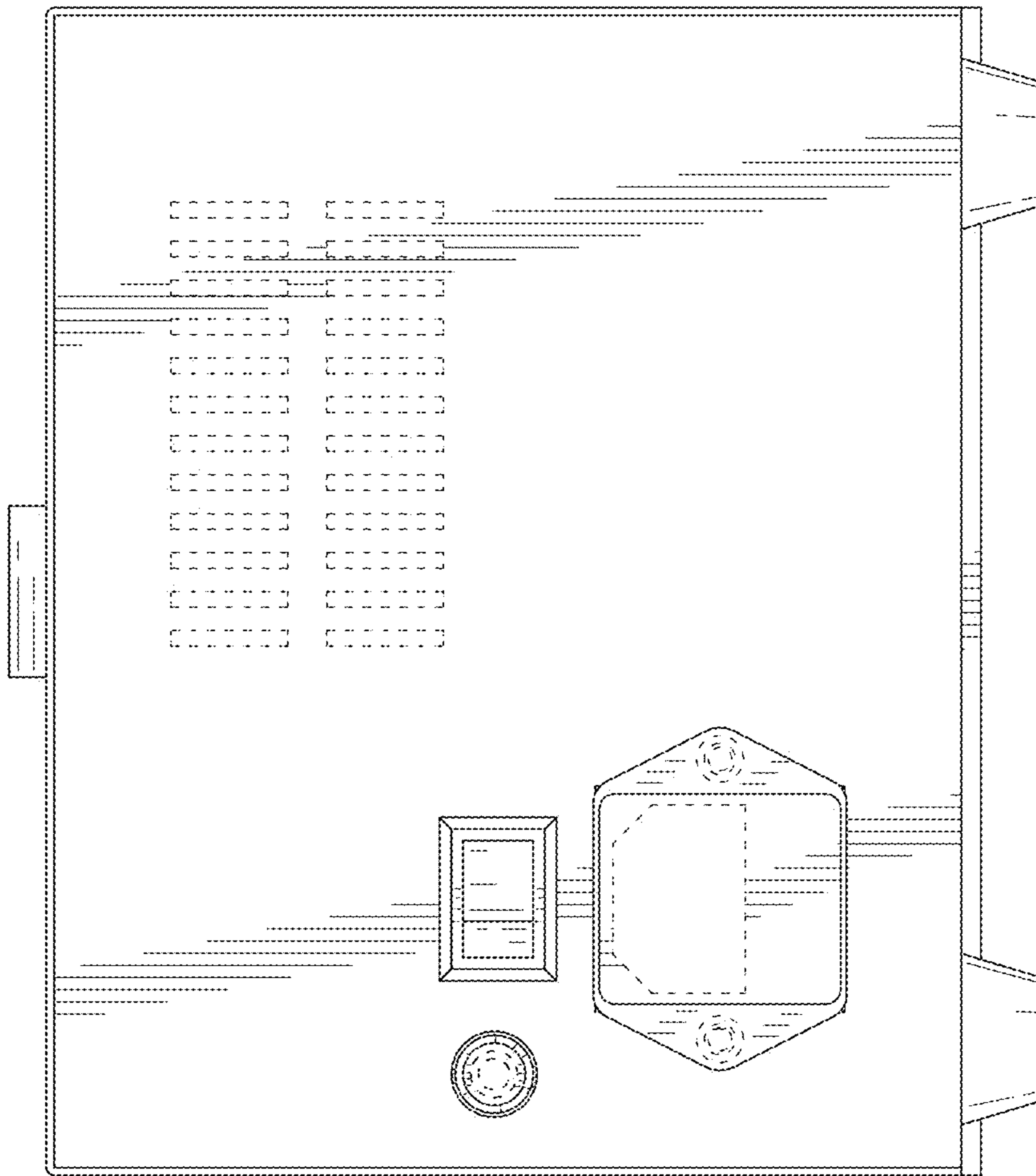


FIG. 4

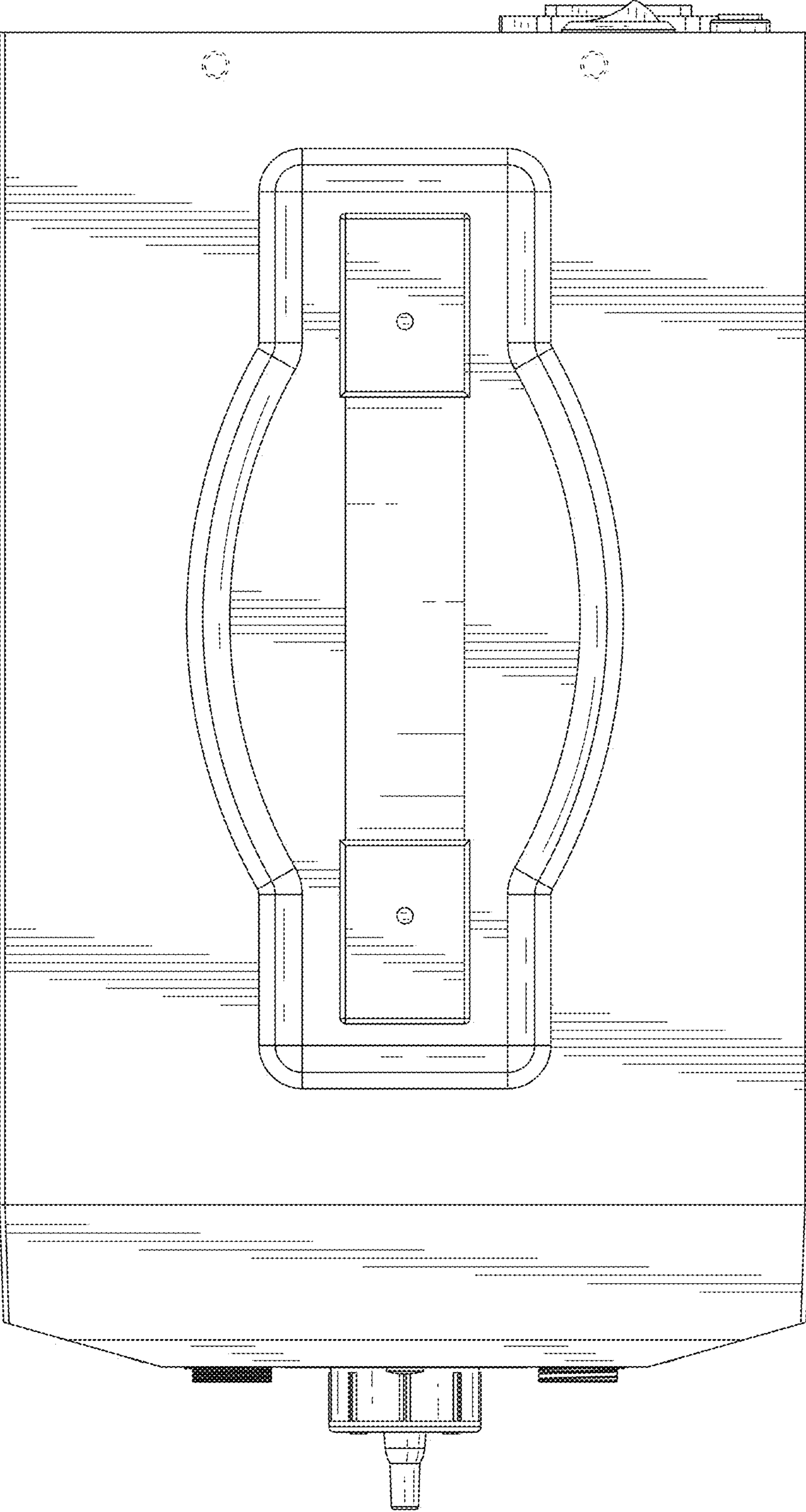


FIG. 5

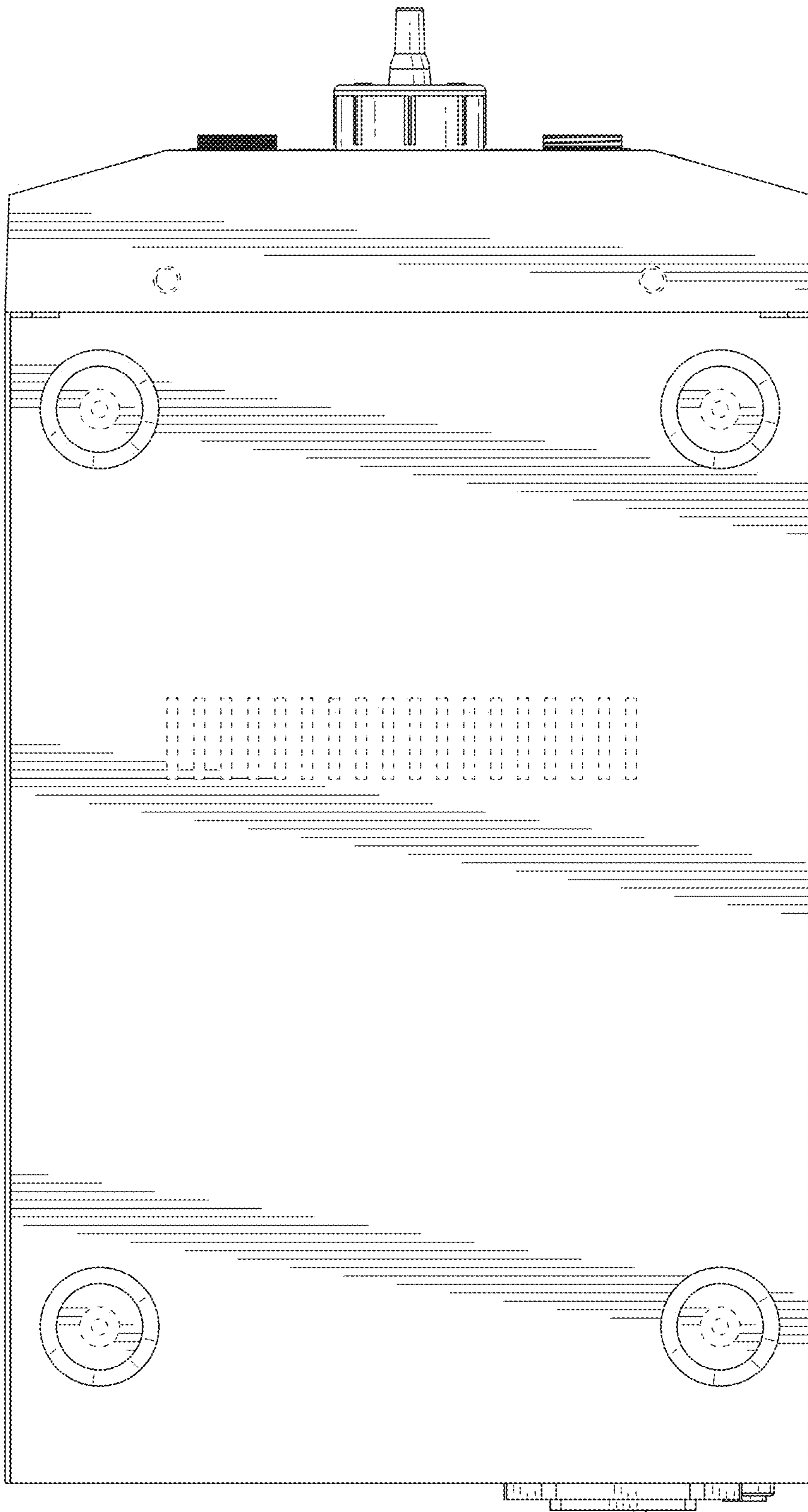


FIG. 6

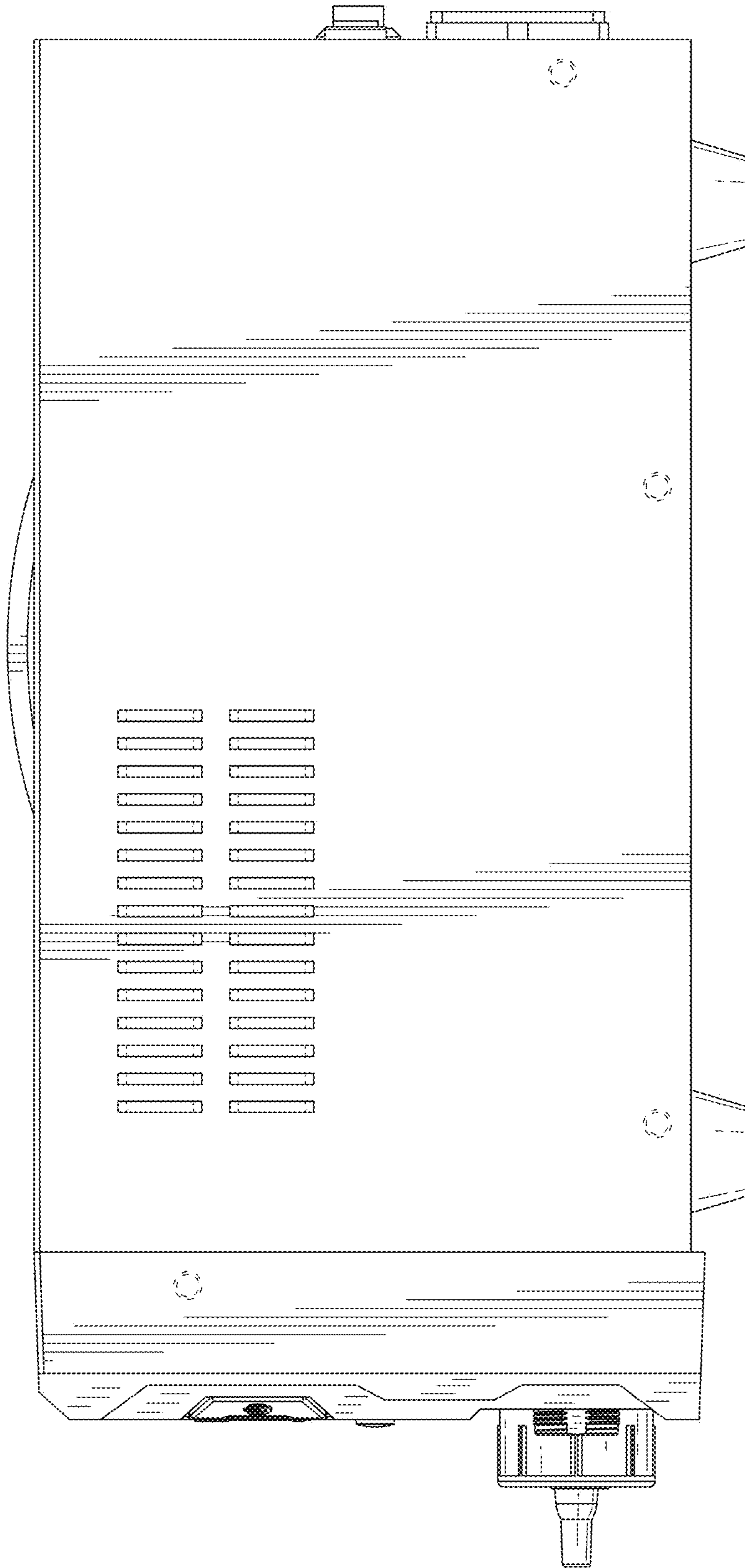


FIG. 7



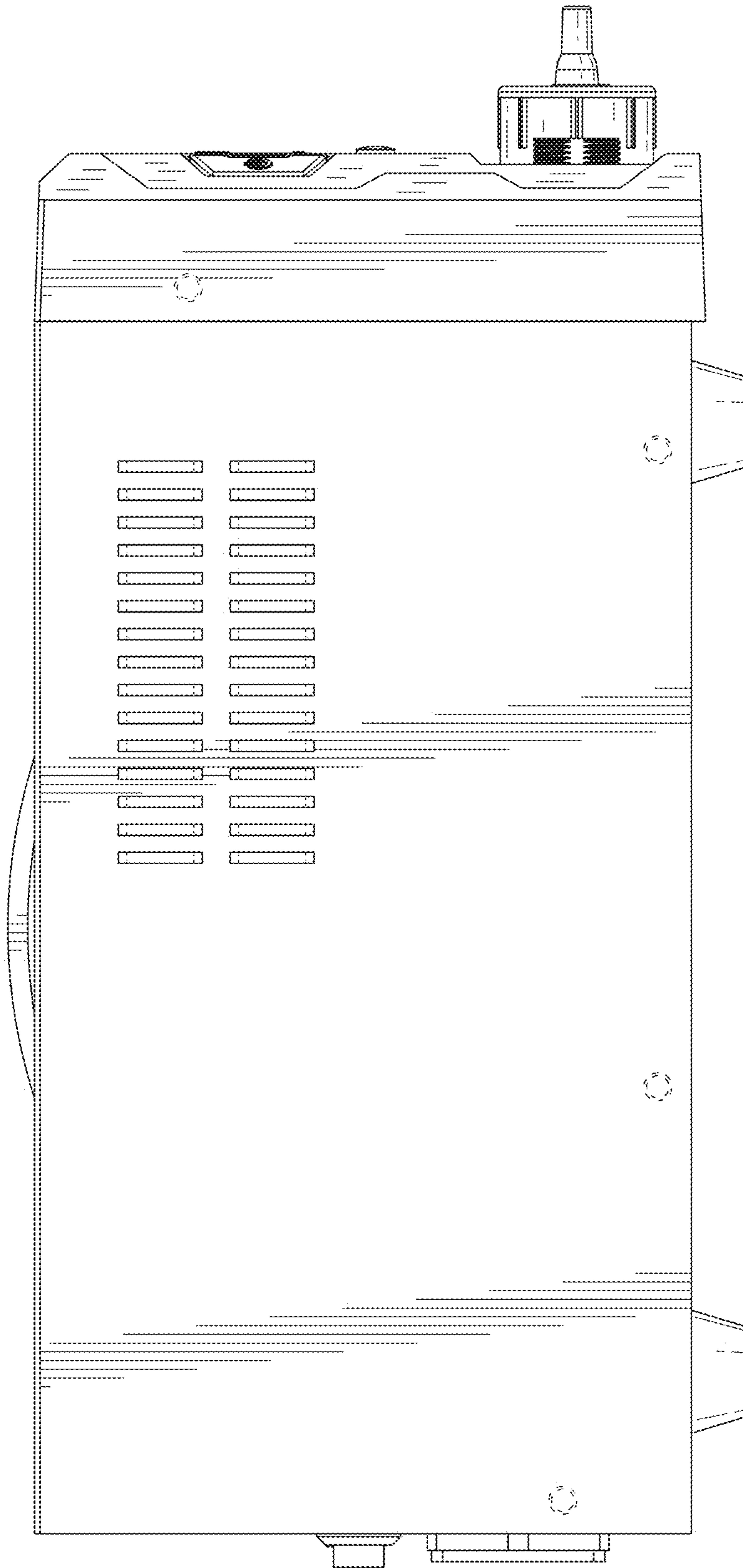


FIG. 8