



US00D937912S

(12) **United States Design Patent** (10) **Patent No.:** **US D937,912 S**
Reches et al. (45) **Date of Patent:** **** Dec. 7, 2021**

(54) **THREE-DIMENSIONAL PRINTER**
(71) Applicant: **Formlabs, Inc.**, Somerville, MA (US)
(72) Inventors: **Yoav Reches**, Cambridge, MA (US);
John E. Ouchterlony, Cambridge, MA
(US); **Brian Chan**, Cambridge, MA
(US); **Luke Plummer**, Medford, MA
(US)
(73) Assignee: **Formlabs, Inc.**, Somerville, MA (US)

(**) Term: **15 Years**

(21) Appl. No.: **29/739,150**

(22) Filed: **Jun. 23, 2020**

(51) **LOC (13) Cl.** **15-09**

(52) **U.S. Cl.**
USPC **D15/122**

(58) **Field of Classification Search**
USPC D15/122, 135, 138, 145, 146; D18/6-7,
D18/14, 19, 50, 54, 54.1, 55, 59
CPC .. B29C 47/12; B29C 67/0059; B29C 67/6659
See application file for complete search history.

(56) **References Cited**

U.S. PATENT DOCUMENTS

D732,586 S	*	6/2015	Chen	D15/122
D732,587 S	*	6/2015	Hsu	D15/122
D735,267 S		7/2015	Chung et al.		
D742,439 S	*	11/2015	Kraibuhler	D15/122
D763,330 S		8/2016	Olive et al.		
D766,998 S	*	9/2016	Kao	D15/122
D770,545 S	*	11/2016	Olive	D15/122
D771,164 S	*	11/2016	Noorazar	D15/122
D777,808 S		1/2017	Chang et al.		
D783,693 S	*	4/2017	Reches	D15/122
D785,085 S		4/2017	Lee et al.		

D787,574 S	*	5/2017	Lee	D15/122
D788,843 S		6/2017	Lee et al.		
D808,453 S		1/2018	Share et al.		
D809,574 S		2/2018	Lin		
D810,156 S		2/2018	Lin		
D835,162 S	*	12/2018	Reches	D15/122
D836,141 S		12/2018	Torrealba et al.		
D841,702 S	*	2/2019	Moroni	D15/122
D854,591 S	*	7/2019	Gupta	D15/122
D893,564 S	*	8/2020	Jeffery	D15/122
D895,698 S	*	9/2020	Palmer	D15/122
D903,730 S	*	12/2020	Johnson	D15/122
D905,134 S	*	12/2020	Chen	D15/122

* cited by examiner

Primary Examiner — Patricia A Palasik

(74) *Attorney, Agent, or Firm* — Wolf, Greenfield & Sacks, P.C.

(57) **CLAIM**

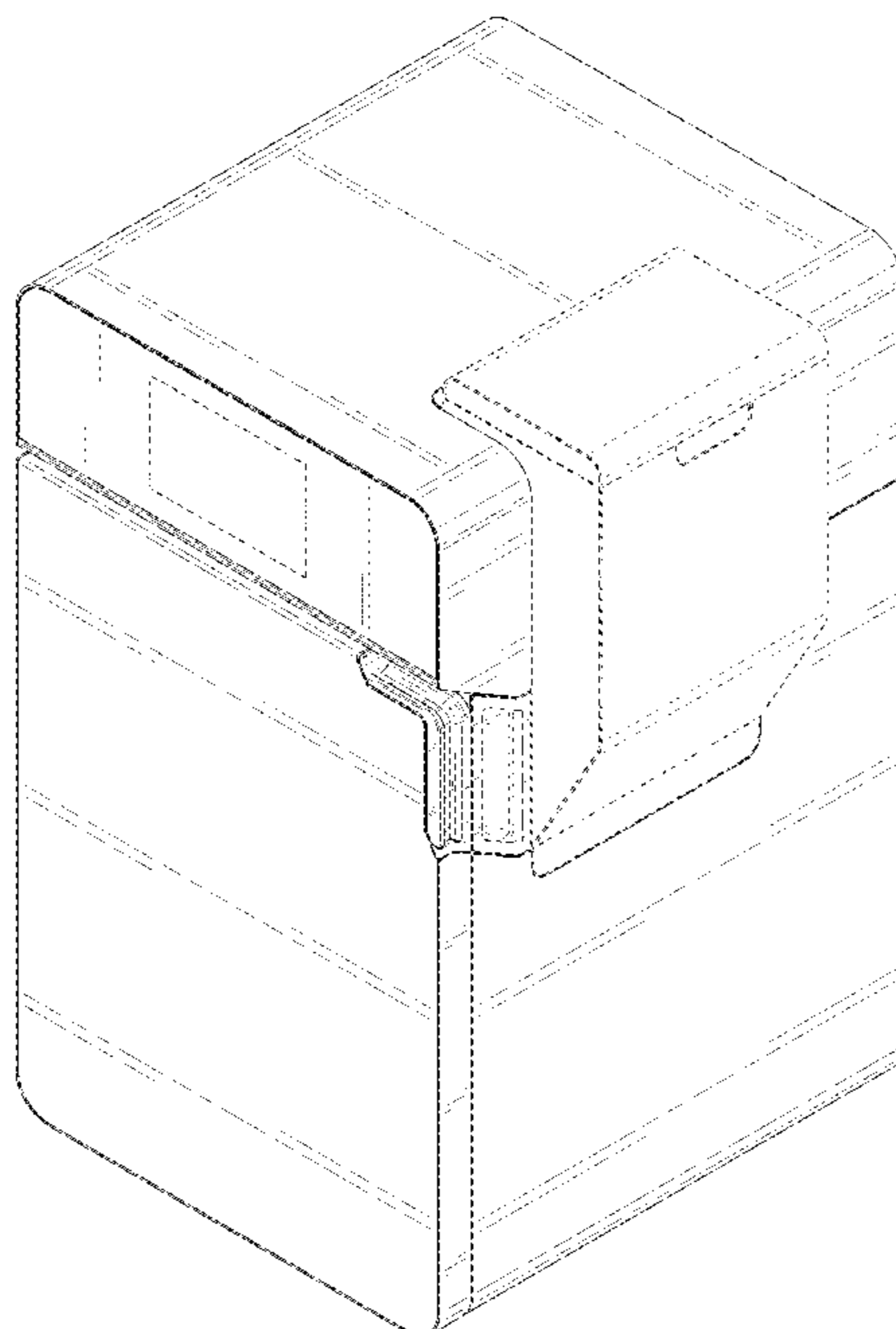
The ornamental design for a three-dimensional printer, as shown and described.

DESCRIPTION

FIG. 1 is a top, front, right side perspective view of a three-dimensional printer according to our new design; FIG. 2 is a top, rear, right side perspective view thereof; FIG. 3 is a front elevation view thereof; FIG. 4 is a rear elevation view thereof; FIG. 5 is a left side elevation view thereof; FIG. 6 is a right side elevation view thereof; FIG. 7 is a top plan view thereof; and, FIG. 8 is a bottom plan view thereof.

The dash-dash broken lines illustrate portions of the three-dimensional printer that form no part of the claimed design. The dot-dash broken lines represent boundaries of the claimed design and form no part of the claimed design.

1 Claim, 8 Drawing Sheets



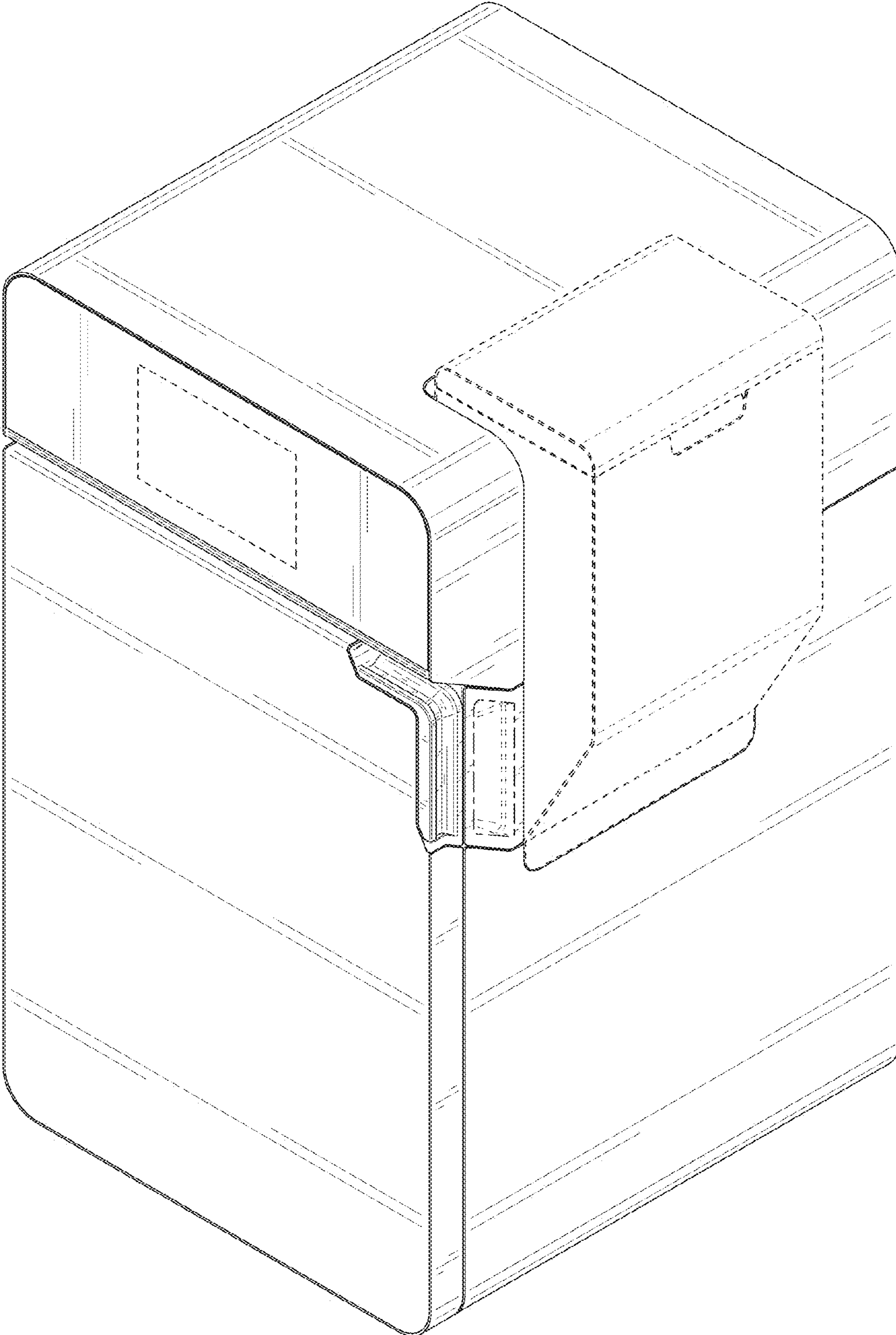


FIG. 1

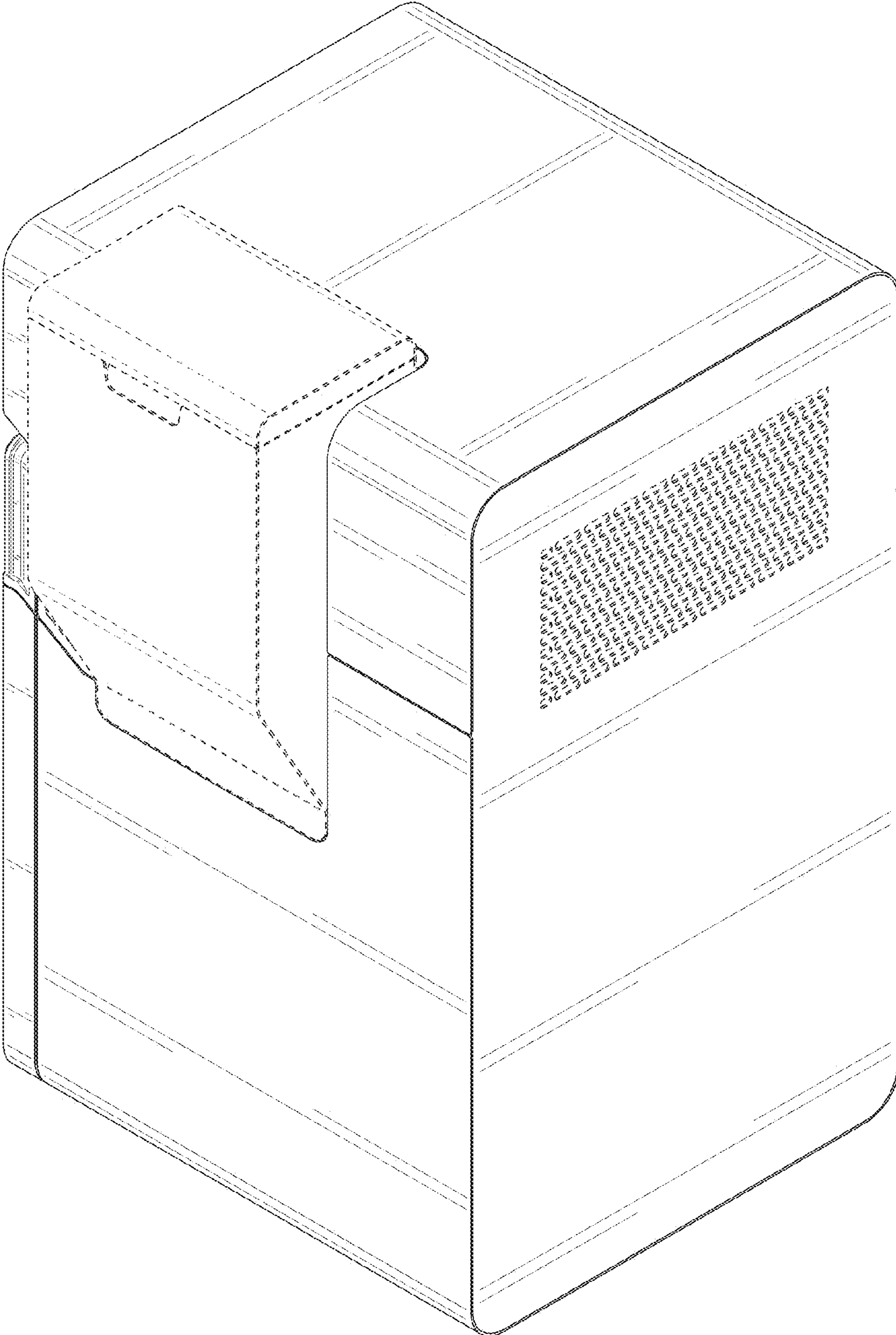


FIG. 2

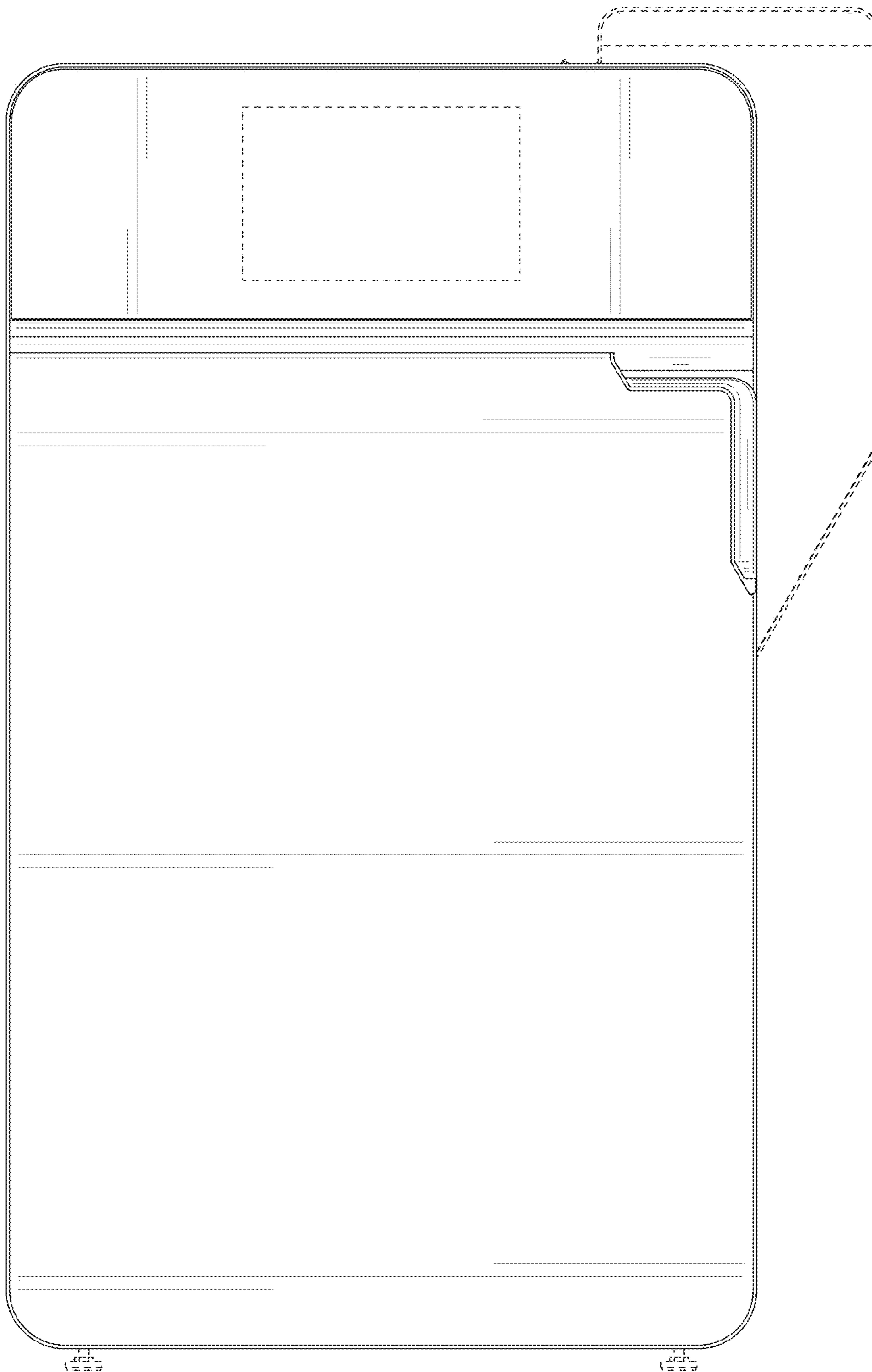


FIG. 3

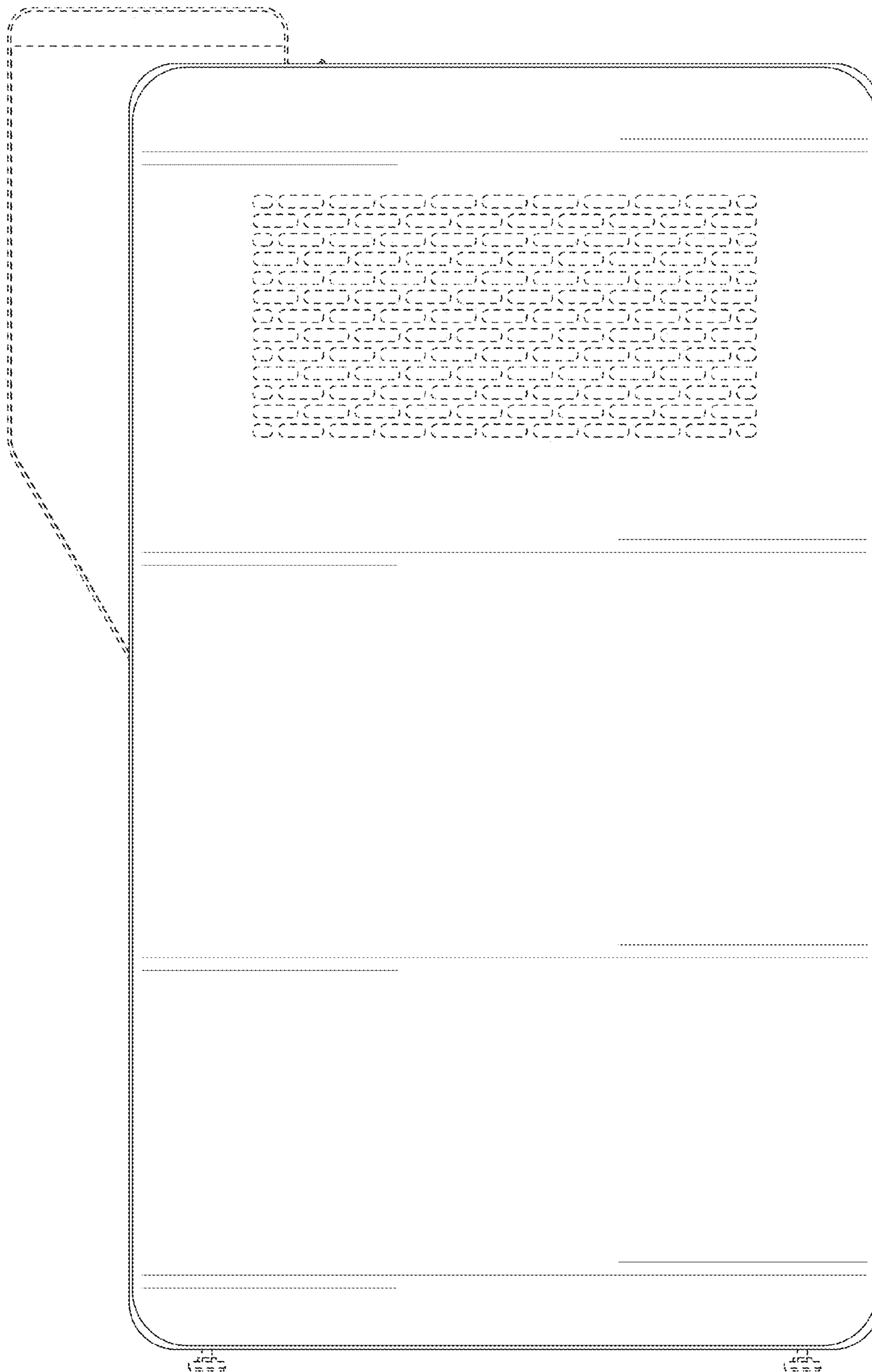


FIG. 4

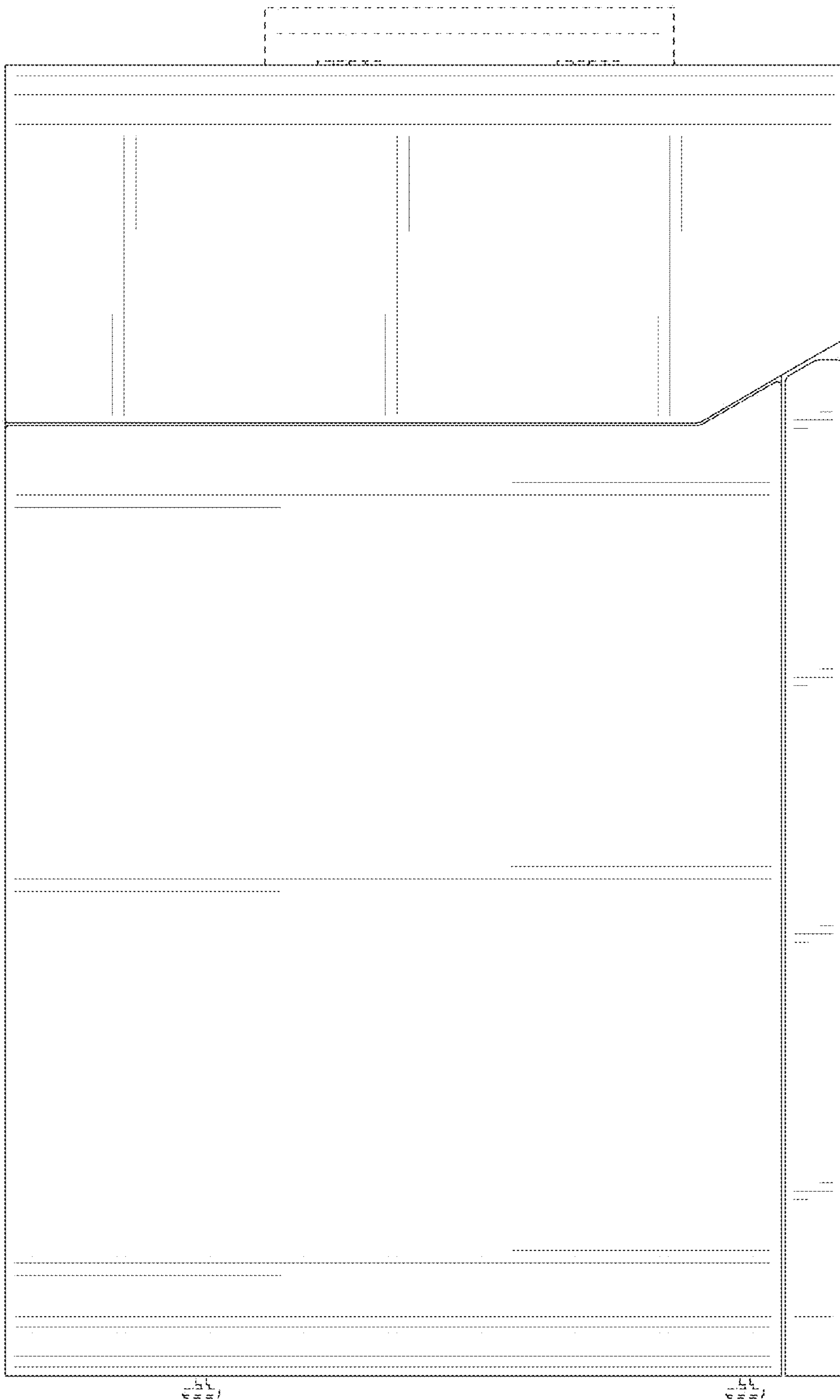


FIG. 5

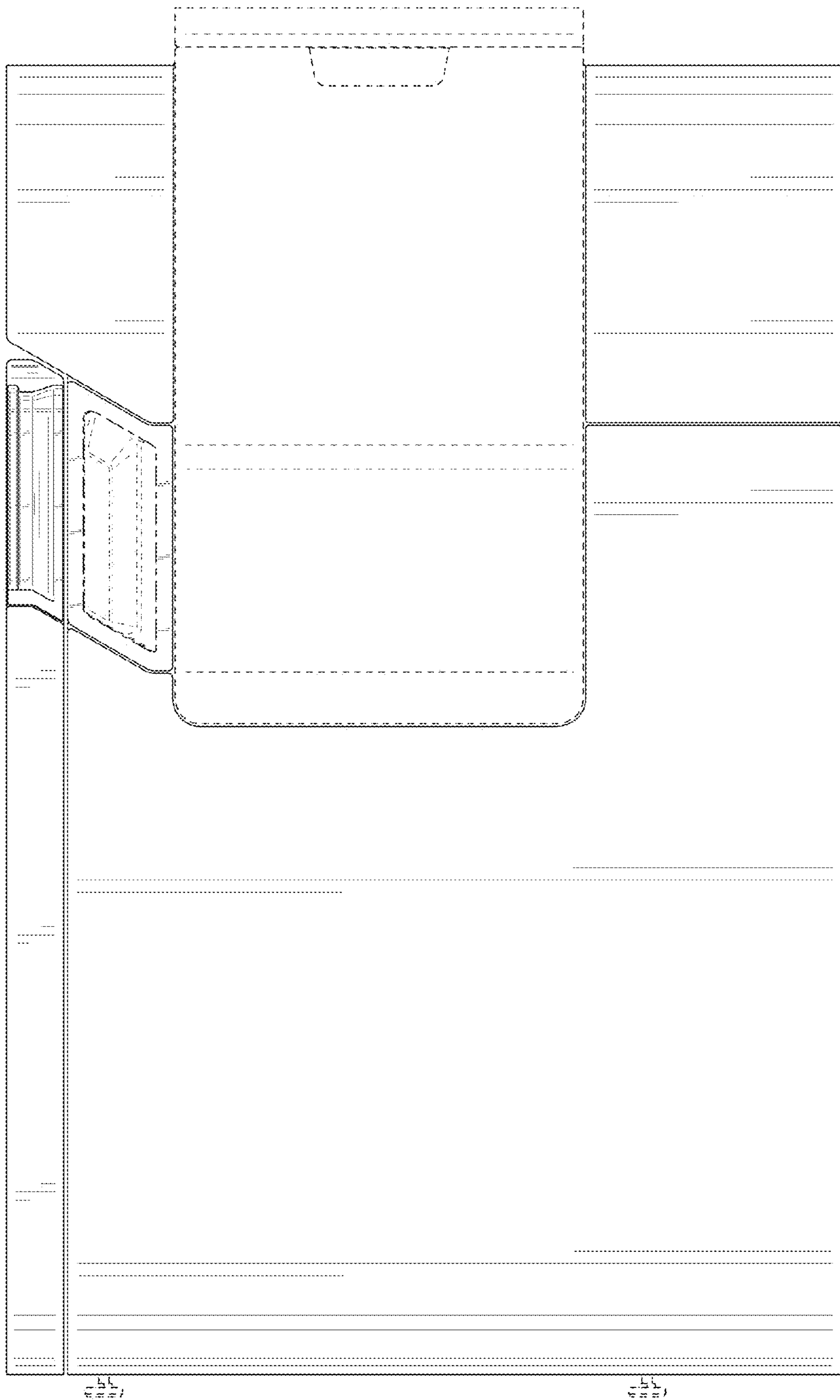


FIG. 6

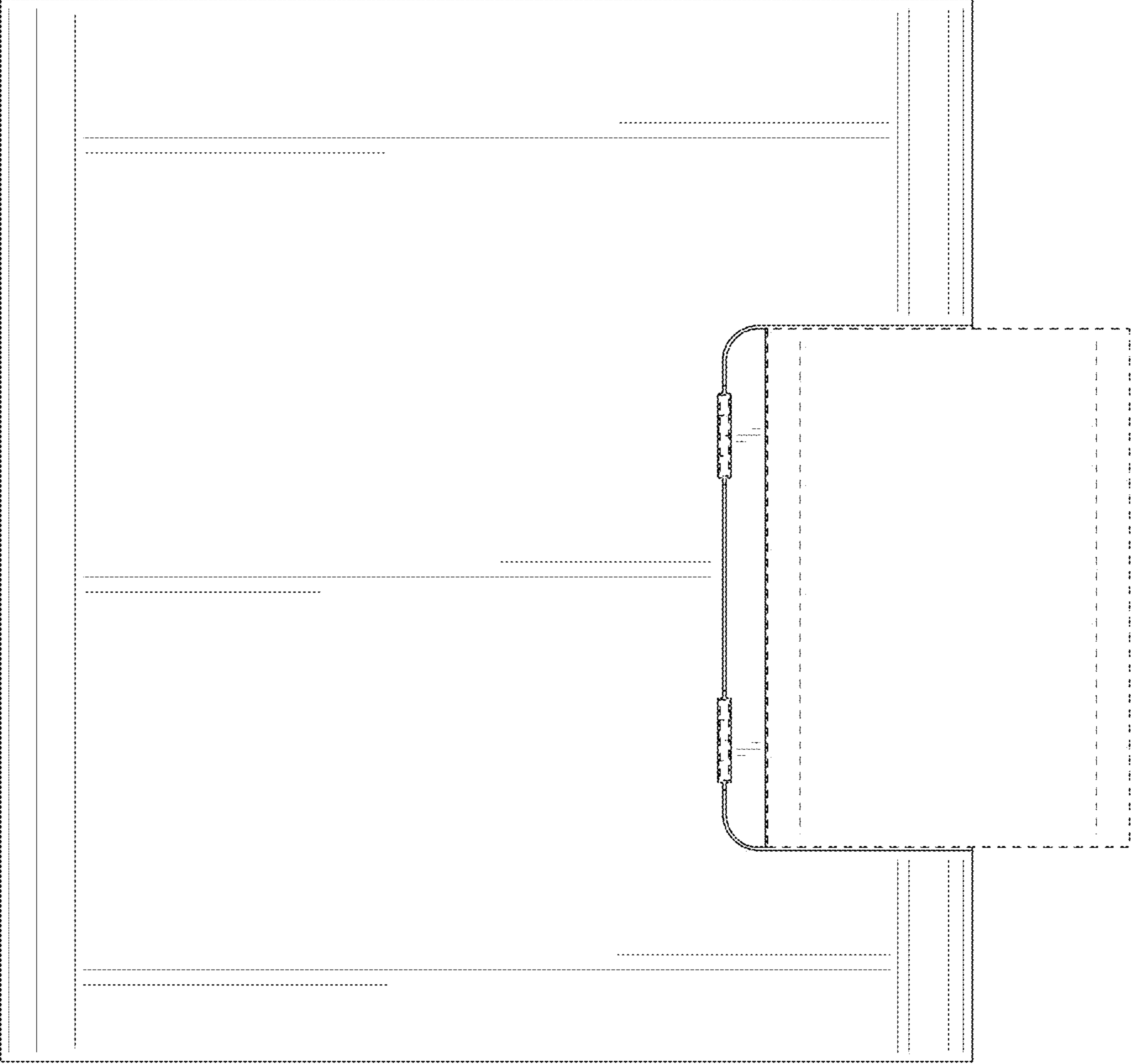


FIG. 7

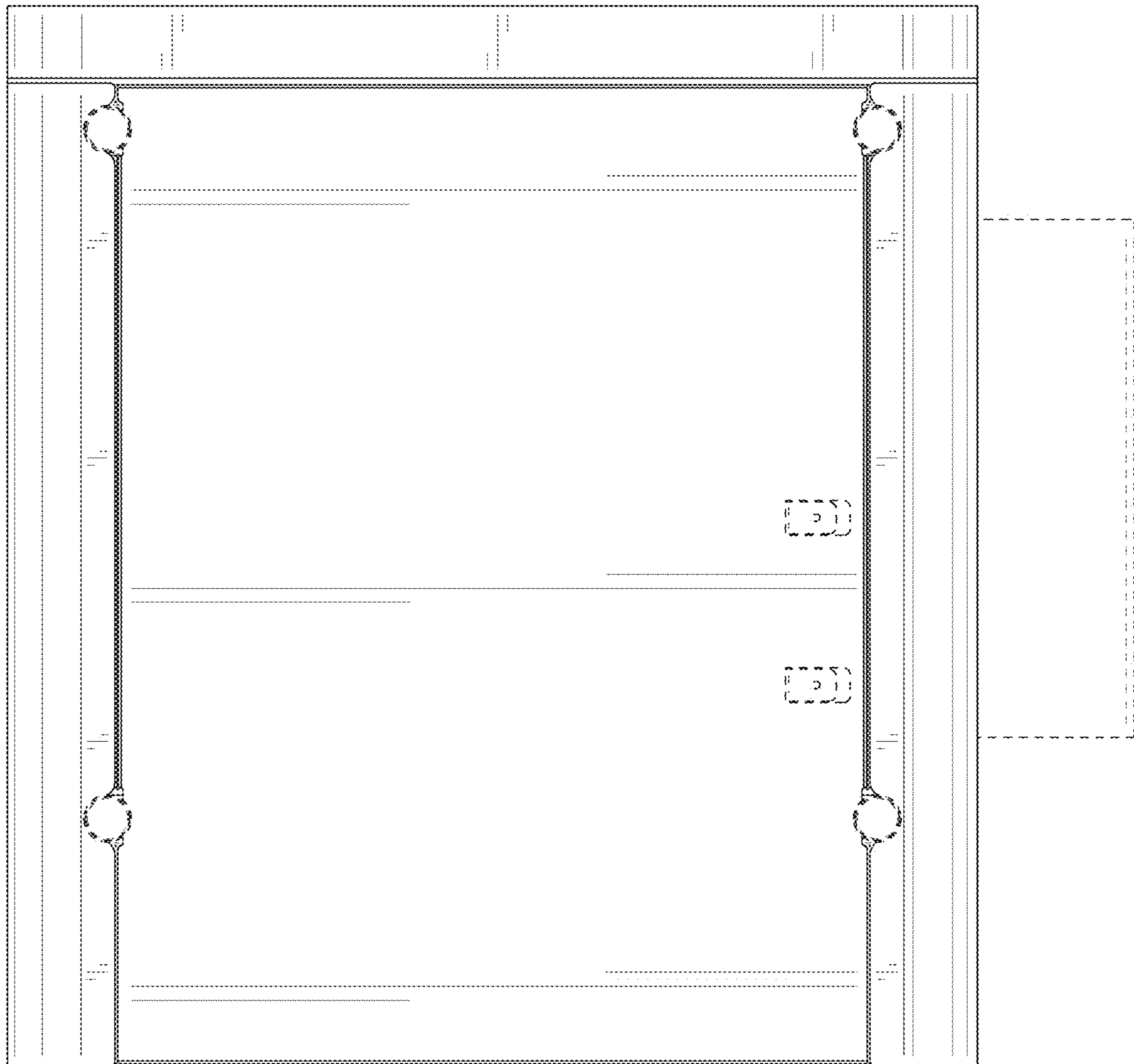


FIG. 8