



US00D937910S

(12) **United States Design Patent**
Huang

(10) **Patent No.:** **US D937,910 S**

(45) **Date of Patent:** **** Dec. 7, 2021**

(54) **MINI MIRROR REFRIGERATOR**

(71) Applicant: **Ningbo Junyue Electric Co., Ltd.**,
Zhejiang (CN)

(72) Inventor: **Wenming Huang, Yuyao (CN)**

(**) Term: **15 Years**

(21) Appl. No.: **29/759,959**

(22) Filed: **Nov. 26, 2020**

(51) **LOC (13) Cl.** **15-07**

(52) **U.S. Cl.**
USPC **D15/81**

(58) **Field of Classification Search**
USPC D15/79-91
CPC F25D 17/065; F25D 2317/061; F25D
2323/023; F25D 23/028; F25D 23/126;
F25D 11/02; F25D 2201/126; F25D
2201/1262; F25D 2201/14; F25D
2323/021; F25D 23/02; F25D 23/025;
F25D 23/04; F25D 23/062; F25D 23/064;
F25D 23/065; F25D 23/067; F25D
2400/361; F25D 25/025; F25D 25/04;
F25D 29/005; F25D 29/006; F25D
31/005; F25D 3/06

See application file for complete search history.

(56) **References Cited**

U.S. PATENT DOCUMENTS

D354,064 S * 1/1995 Sims D15/81
D468,755 S 1/2003 Muniz-Rivera et al.
D477,000 S 7/2003 Aldous et al.
D486,467 S 2/2004 Yuen et al.
D494,606 S 8/2004 Krieger et al.
D502,471 S 3/2005 Yuen et al.
D537,456 S 2/2007 Davis et al.

D567,828 S * 4/2008 Moran D15/79
D568,909 S 5/2008 Santiago et al.
D618,257 S * 6/2010 Hanamure D15/79
D726,782 S * 4/2015 Haygeman D15/79
D726,783 S * 4/2015 Haygeman D15/79
D730,953 S * 6/2015 Dickens D15/79
D739,882 S * 9/2015 Schaefer D15/79
D744,011 S 11/2015 Reaux et al.
D844,033 S * 3/2019 Lim D15/79
D867,407 S * 11/2019 Wang D15/79
D886,163 S * 6/2020 Yao D15/81
D896,856 S 9/2020 Zhou et al.

* cited by examiner

Primary Examiner — Khawaja Anwar

(74) *Attorney, Agent, or Firm* — Rumit Ranjit Kanakia

(57) **CLAIM**

The ornamental design for a mini mirror refrigerator, as shown and described.

DESCRIPTION

FIG. 1 is a front view of the mini mirror refrigerator showing my new design;

FIG. 2 is a rear view thereof;

FIG. 3 is a left-hand-side view thereof;

FIG. 4 is a right-hand-side view thereof;

FIG. 5 is a top view thereof;

FIG. 6 is a bottom view thereof;

FIG. 7 is a front perspective view thereof;

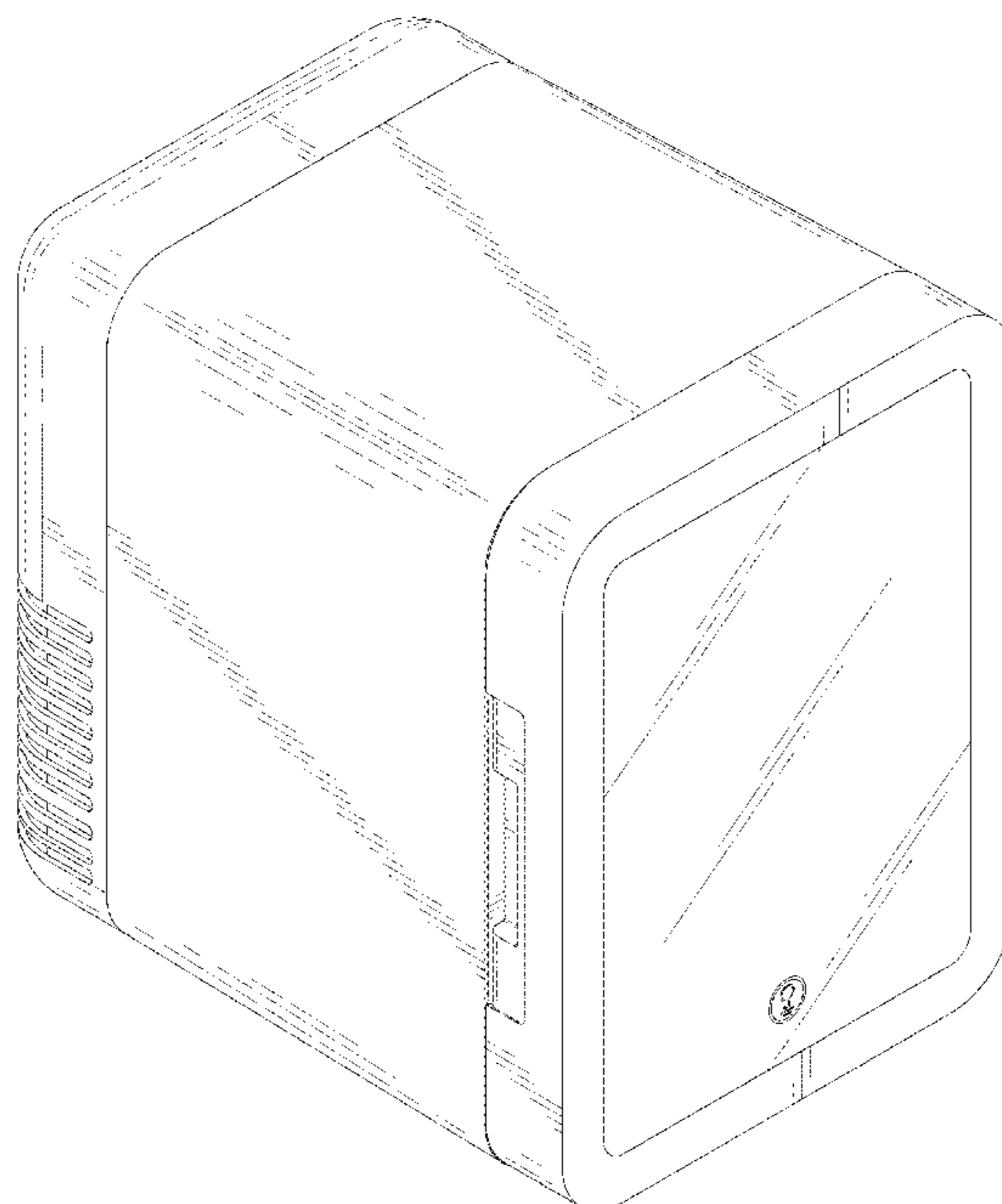
FIG. 8 is a top perspective view thereof;

FIG. 9 is a front view of the mini mirror refrigerator when open; and,

FIG. 10 is a front perspective view of the inside of the mini mirror refrigerator.

The broken lines illustrate portions of the environment structure which forms no part of the claimed design.

1 Claim, 10 Drawing Sheets



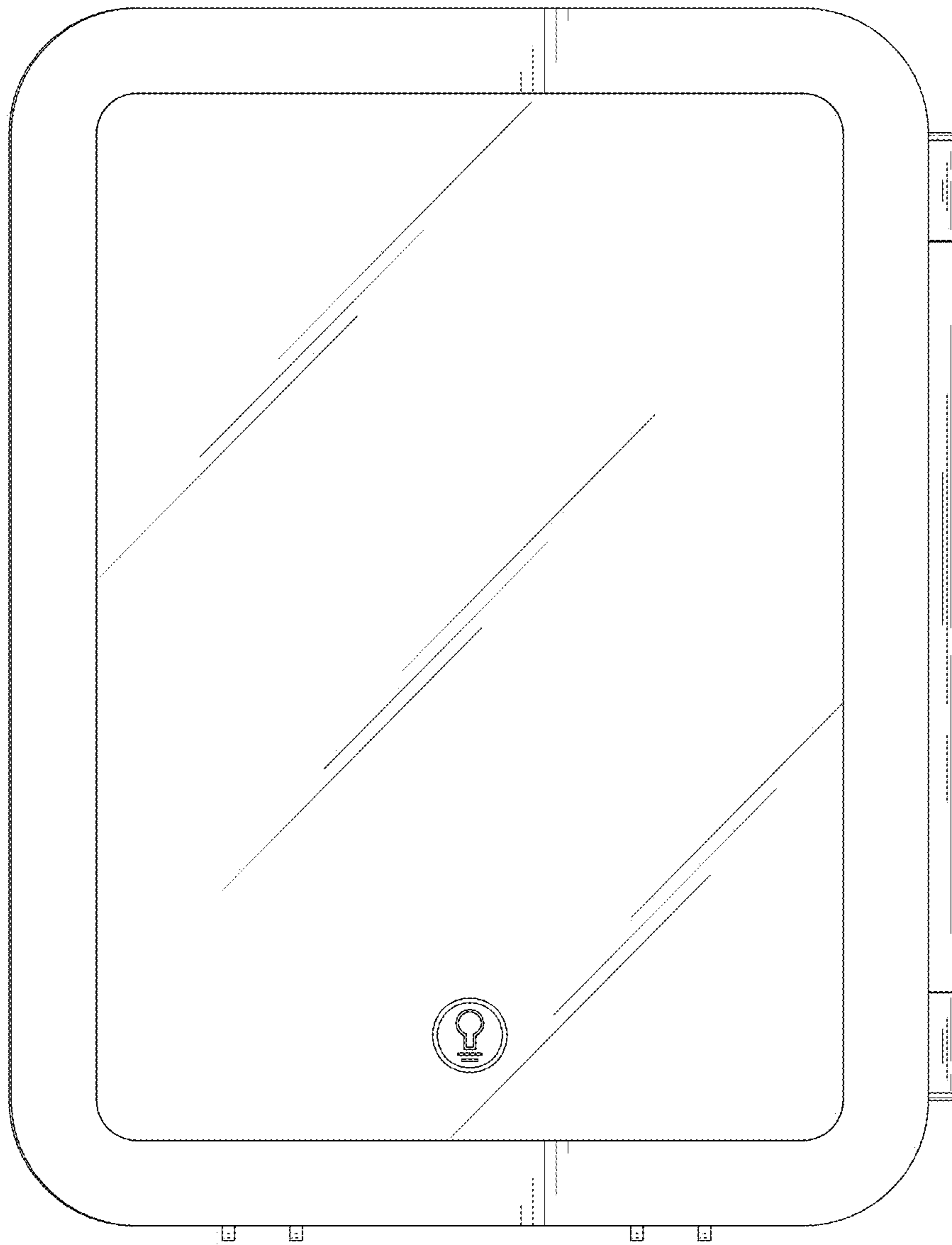


FIG. 1

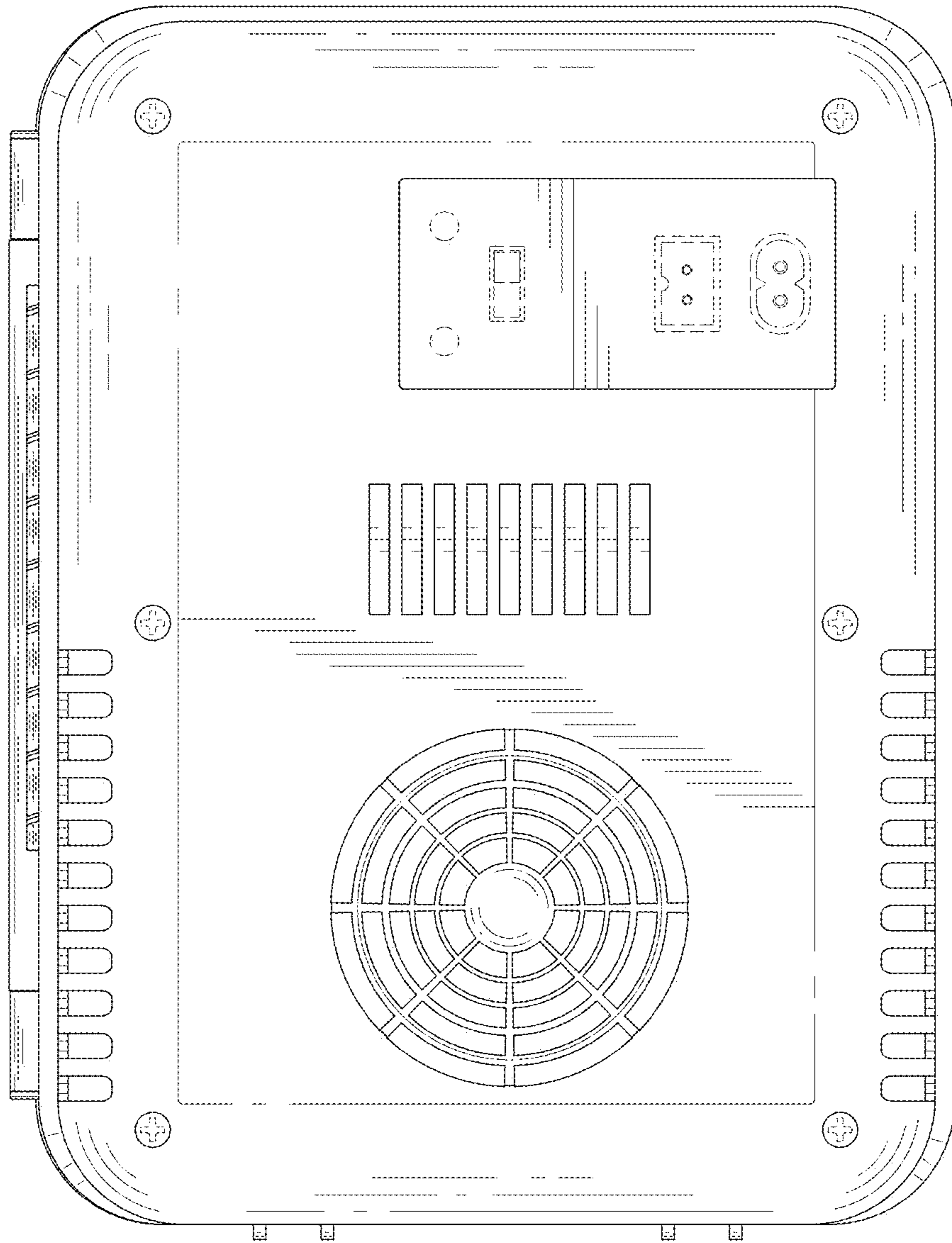


FIG. 2

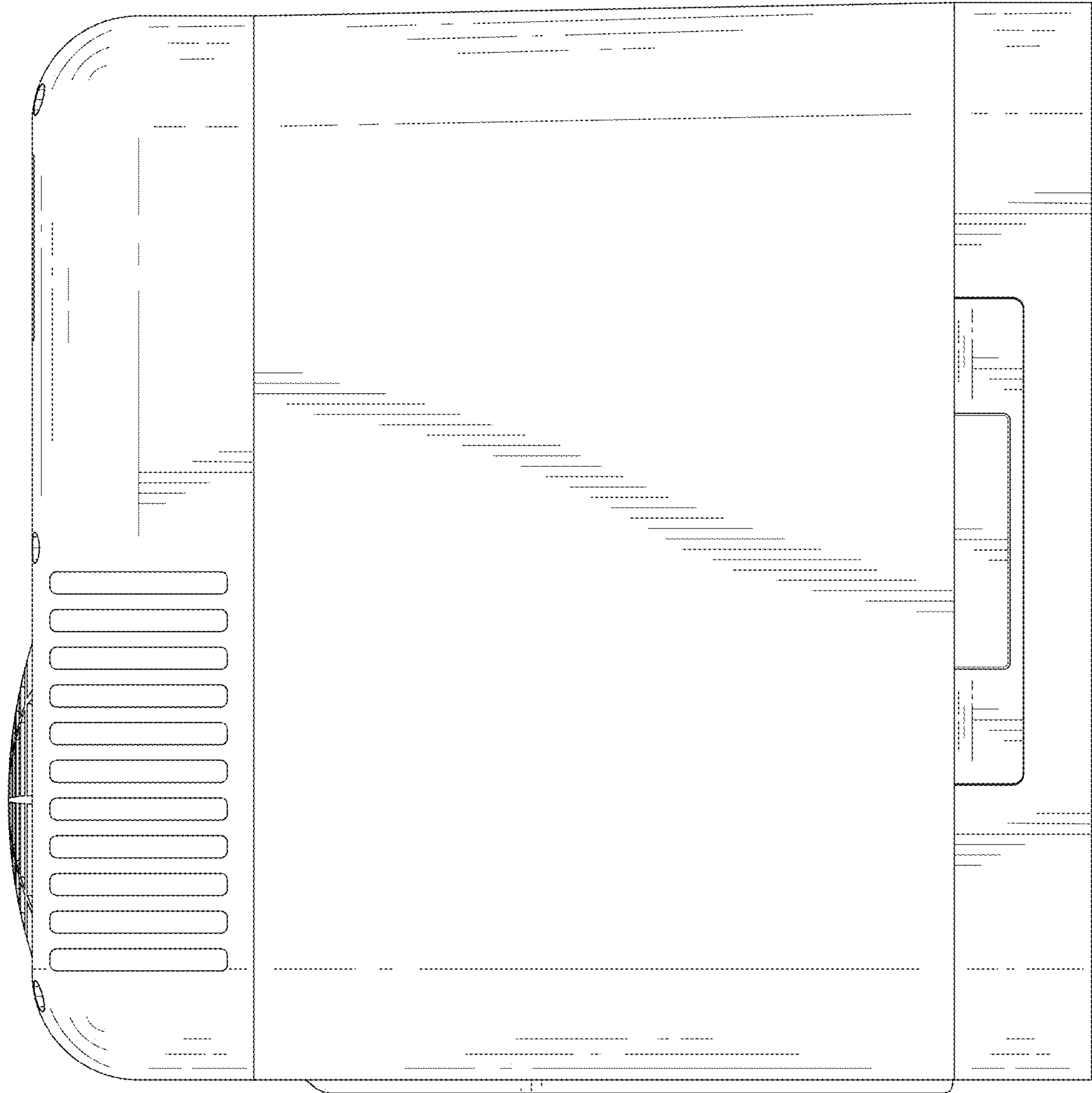


FIG. 3

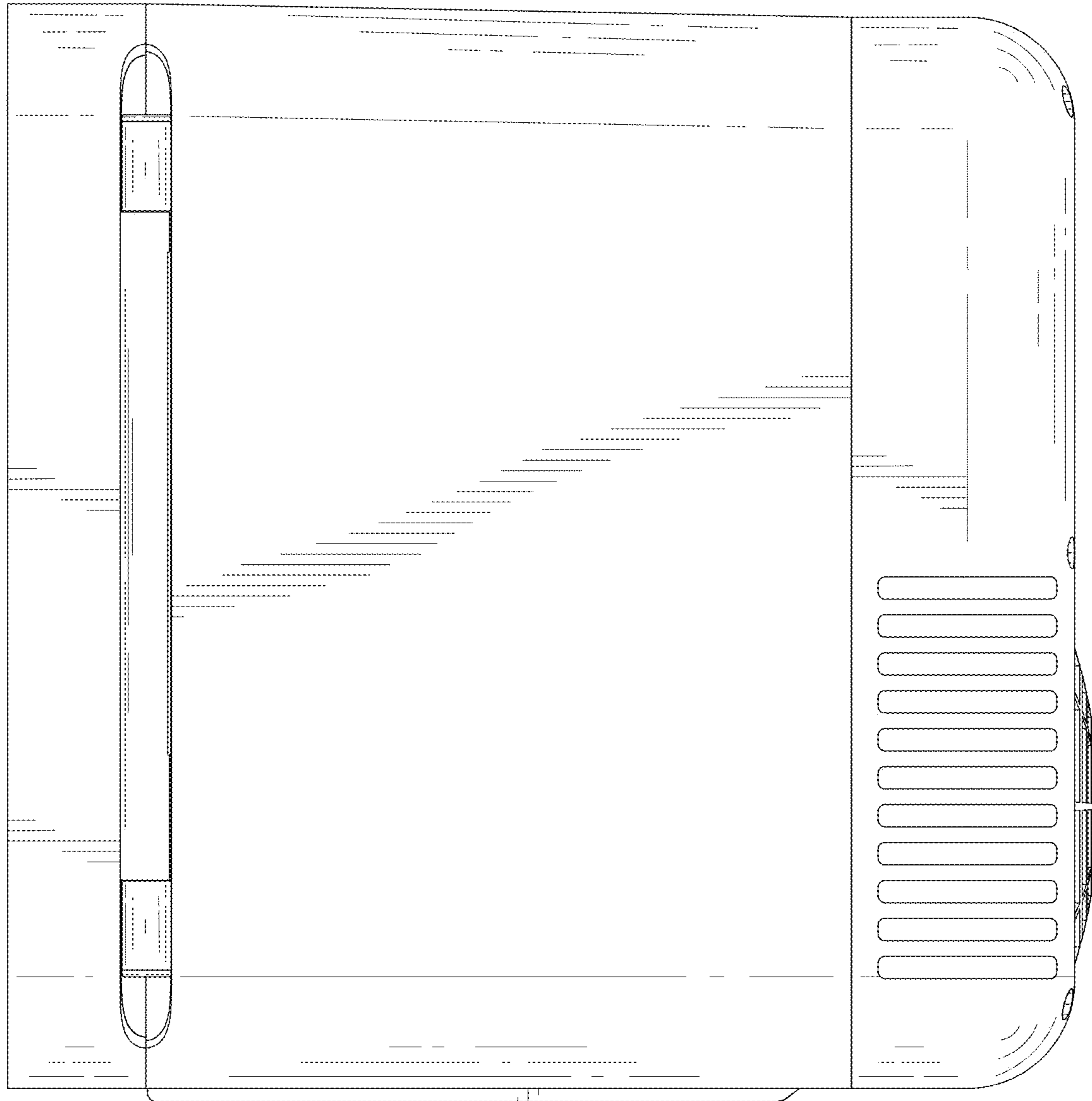


FIG. 4

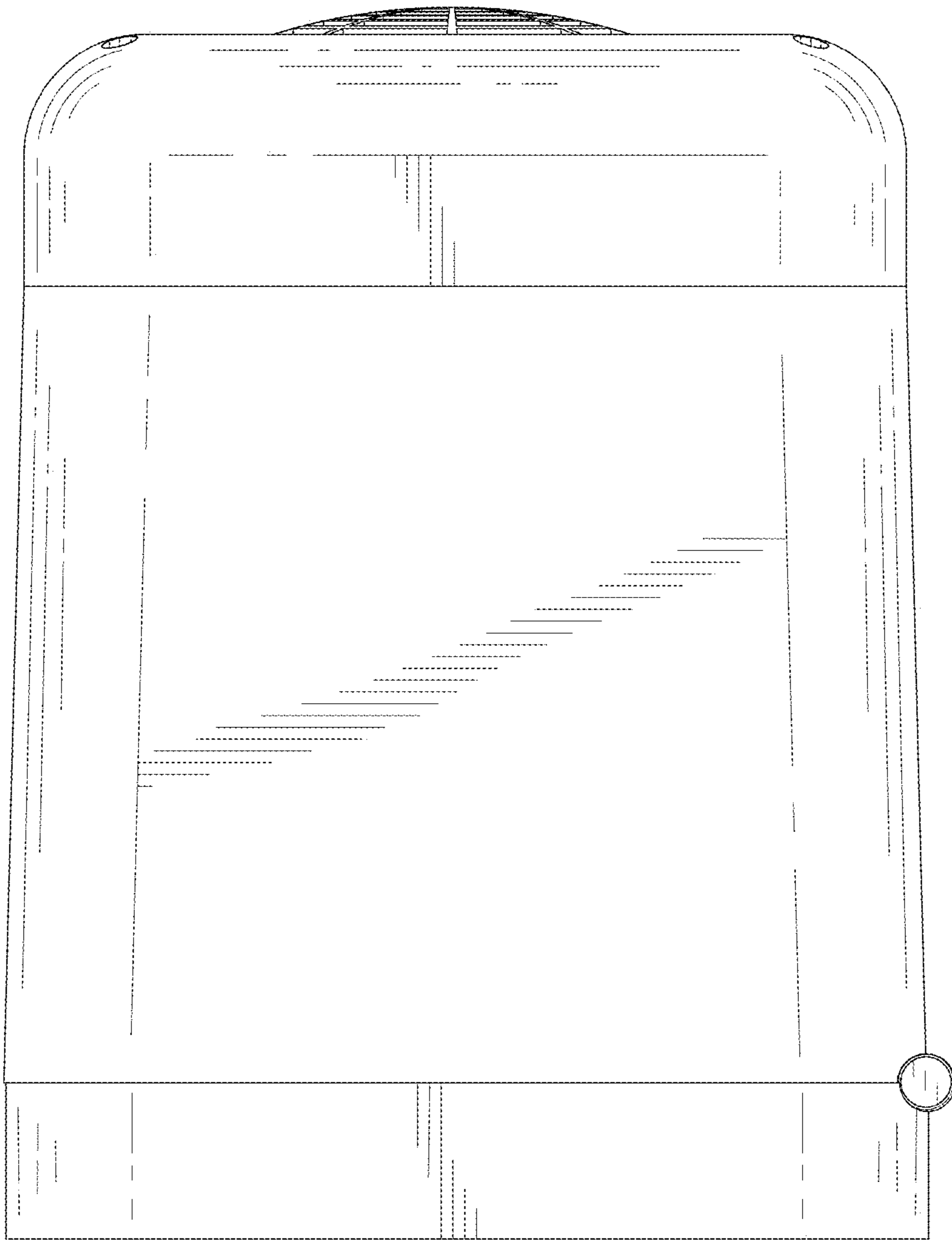


FIG. 5

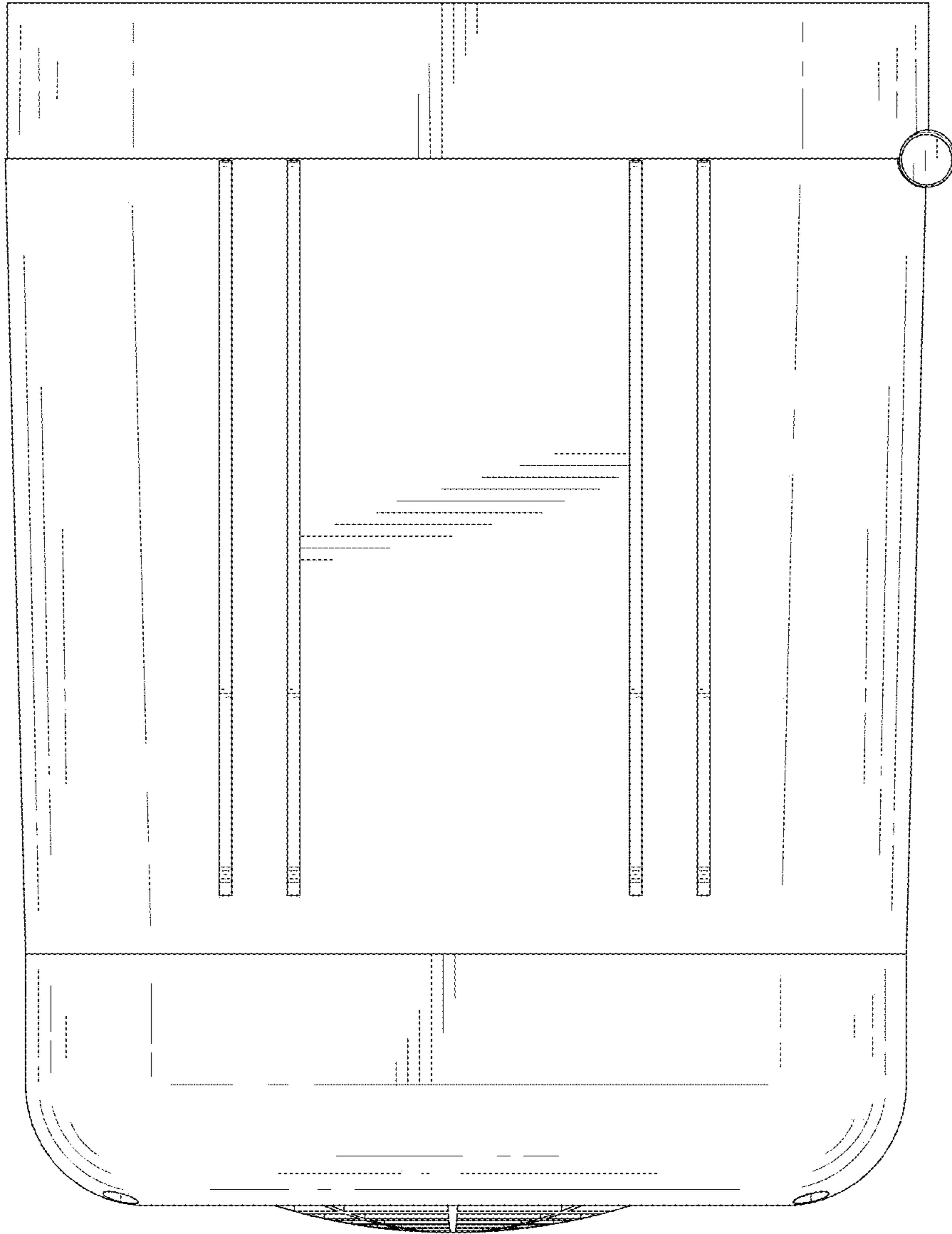


FIG. 6

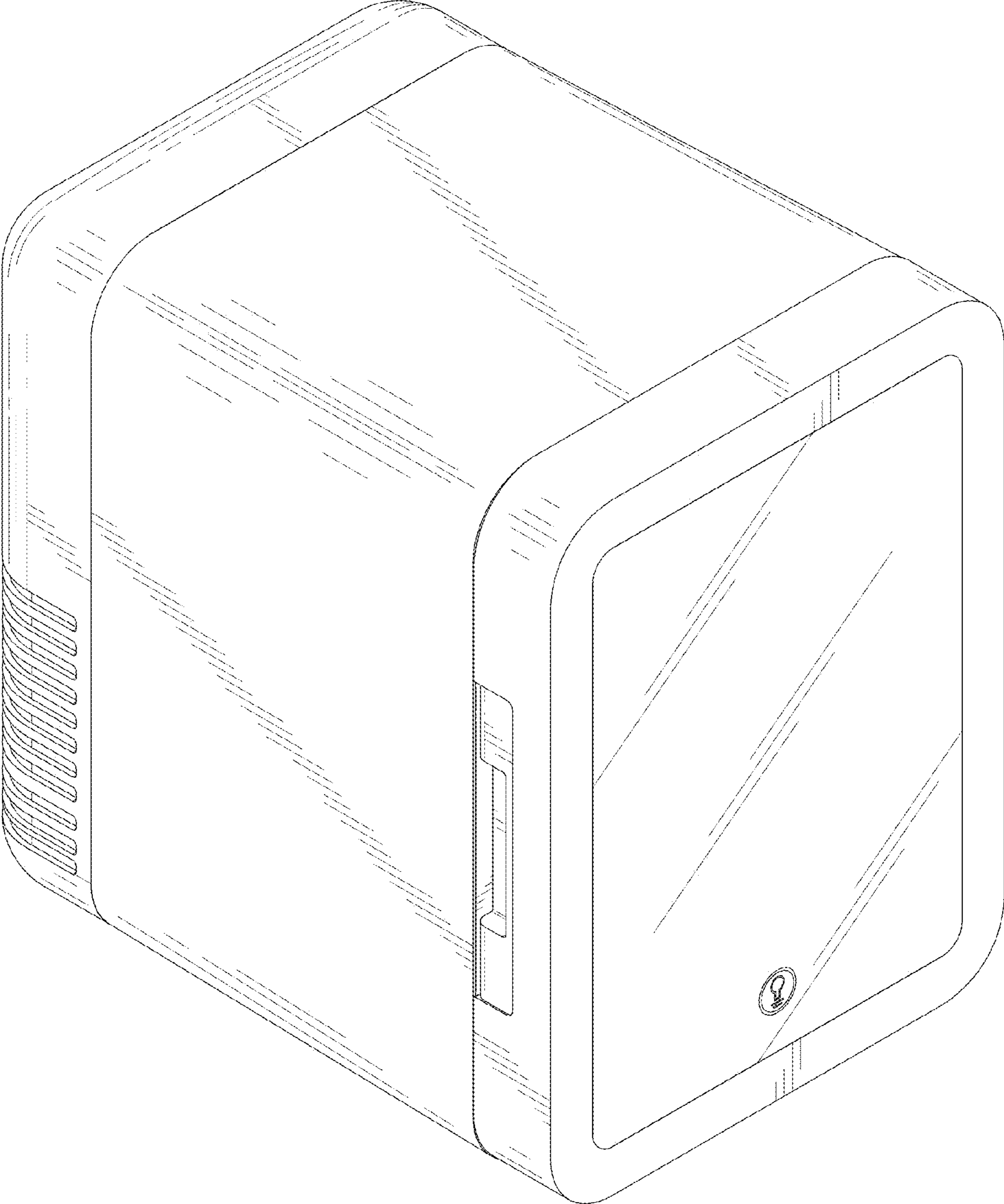


FIG. 7

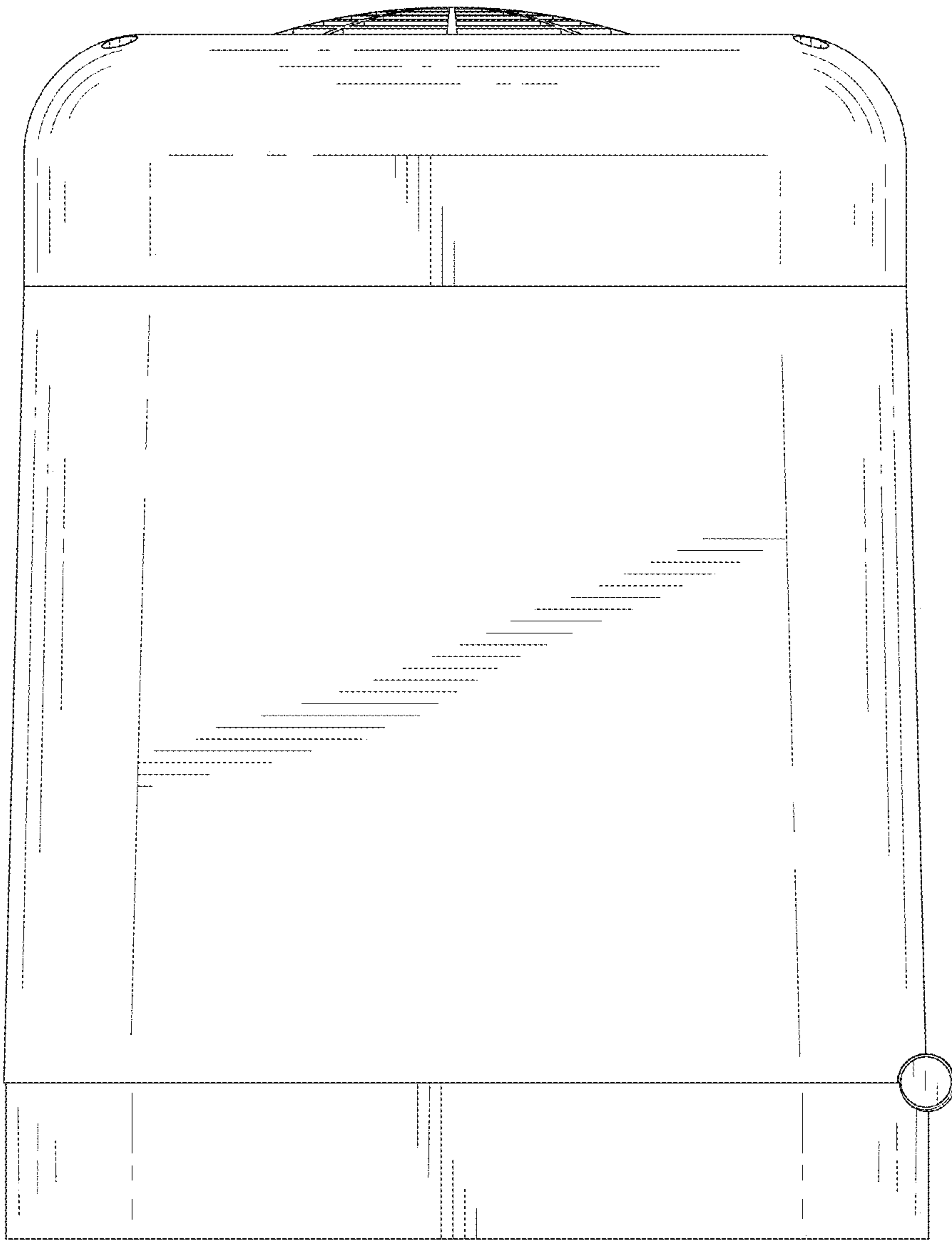


FIG. 8

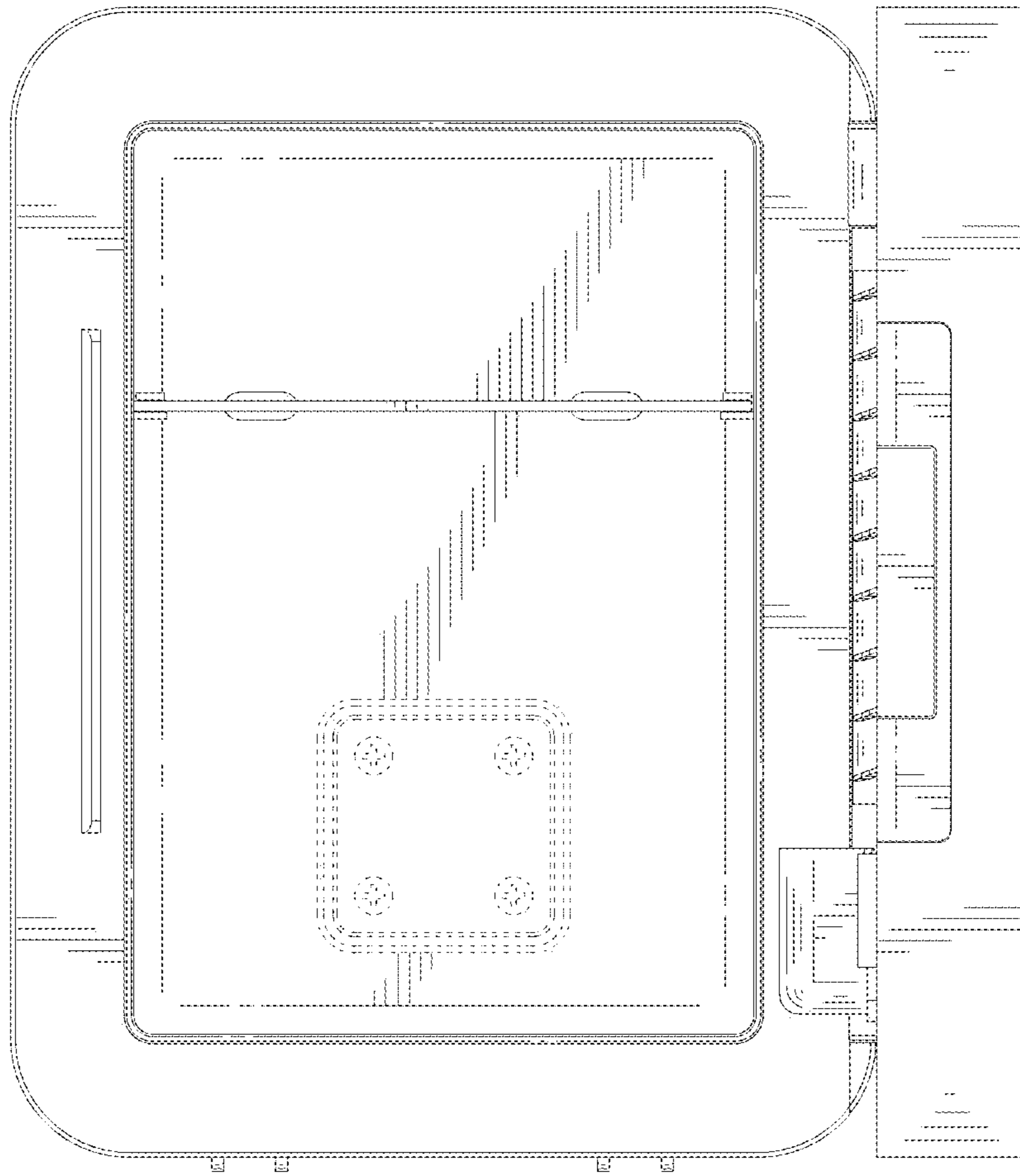


FIG. 9

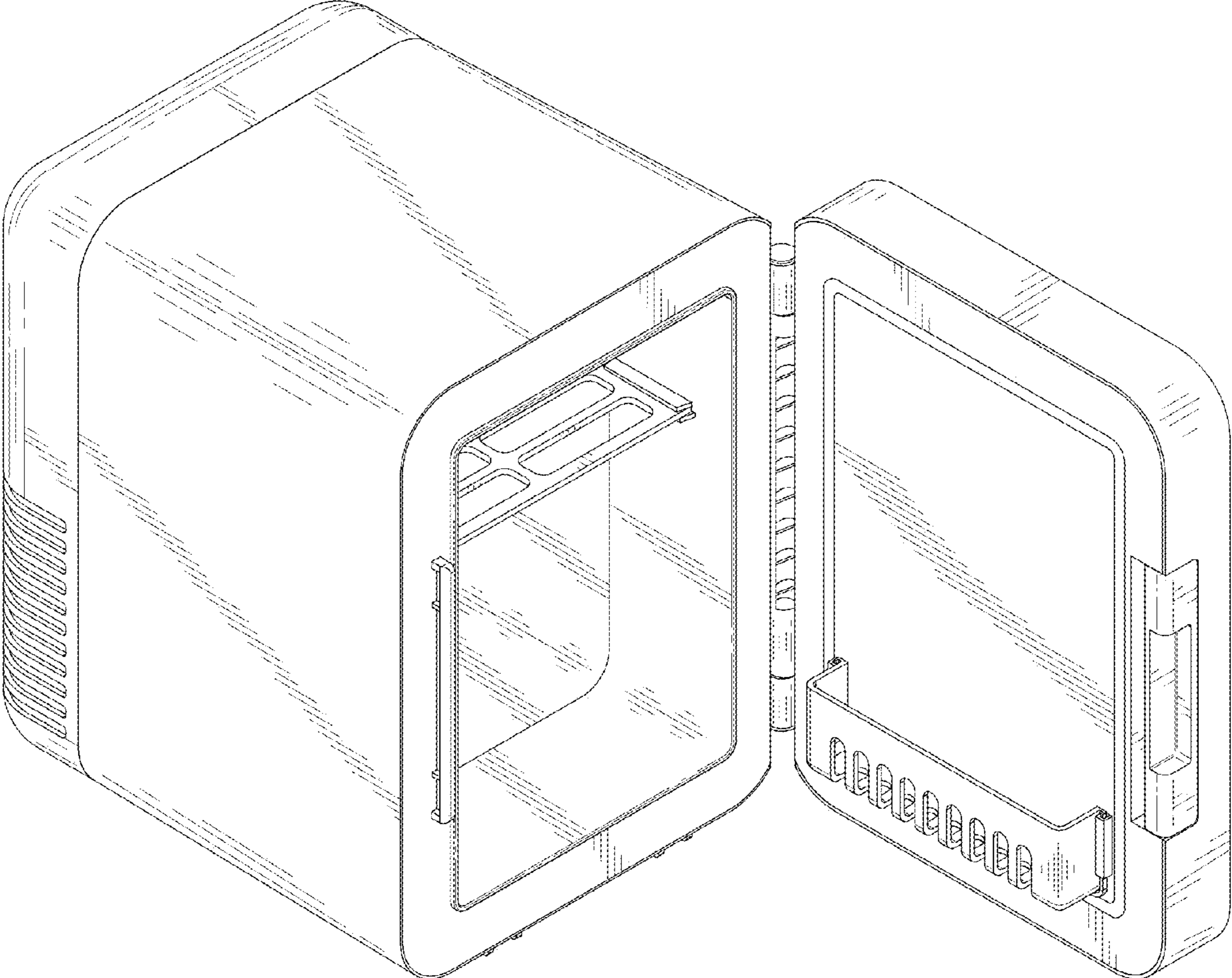


FIG. 10