



US00D937908S

(12) **United States Design Patent** (10) **Patent No.:** **US D937,908 S**
Masuda et al. (45) **Date of Patent:** **** Dec. 7, 2021**

(54) **TRACTOR**

(71) Applicant: **KUBOTA CORPORATION**, Osaka (JP)
(72) Inventors: **Ryo Masuda**, Sakai (JP); **Wataru Sasaki**, Sakai (JP); **Hiroyuki Sakai**, Sakai (JP); **Yoshitaka Higashikawa**, Sakai (JP); **Taiki Furuki**, Sakai (JP); **Tomonori Kaneko**, Sakai (JP); **Yutaka Araki**, Sakai (JP)

(73) Assignee: **Kubota Corporation**, Osaka (JP)

(**) Term: **15 Years**

(21) Appl. No.: **35/509,966**

(22) Filed: **Jun. 17, 2020**

(80) **Hague Agreement Data**

Int. Filing Date: **Jun. 17, 2020**

Int. Reg. No.: **DM/209355**

Int. Reg. Date: **Jun. 17, 2020**

Int. Reg. Pub. Date: **Jul. 31, 2020**

(30) **Foreign Application Priority Data**

Jan. 14, 2020 (JP) 2020-000405

Jan. 14, 2020 (JP) 2020-000406

(51) **LOC (13) Cl.** **12-09**

(52) **U.S. Cl.**

USPC **D15/33**

CPC **A01B 51/026** (2013.01)

(58) **Field of Classification Search**

USPC D15/10, 14, 15, 22-26, 33; 180/69.2, 180/89.1, 89.12, 900; 56/10.1, 12.7, 15.8, 56/16.7, 13.3, 202, 320.1

CPC A01B 51/026; B62D 49/02; B62D 33/06; B62D 33/0604; B62D 33/0617; B62D 25/10; B60K 15/063; B60K 15/073; B60K 2015/0637

See application file for complete search history.

(56) **References Cited**

U.S. PATENT DOCUMENTS

D329,435	S	*	9/1992	Katoh	D15/23
D387,068	S	*	12/1997	Kato	D15/23
D391,581	S	*	3/1998	Kato	D15/23
D440,234	S	*	4/2001	Katoh	D15/23
D497,621	S	*	10/2004	Inaoka	D15/28
D498,245	S	*	11/2004	Kuwae	D15/23
D519,130	S	*	4/2006	Higashikawa	D15/23
D519,131	S	*	4/2006	Kuwae	D15/23
D527,026	S	*	8/2006	Kuwae	D15/23
D555,674	S	*	11/2007	Kuwae	D15/23
D587,727	S	*	3/2009	Vos	B62D 55/065
						D15/24
D602,047	S	*	10/2009	Kushita	D15/23
D604,749	S	*	11/2009	Kushita	D15/23
D614,204	S	*	4/2010	Thompson	D15/25
D630,654	S	*	1/2011	Thompson	D15/31
D641,027	S	*	7/2011	Kawashiri	D15/23
D668,270	S	*	10/2012	Kushita	D15/23
D674,819	S	*	1/2013	Hagele	D15/23

(Continued)

Primary Examiner — Richard E Chilcot

(74) *Attorney, Agent, or Firm* — The Webb Law Firm

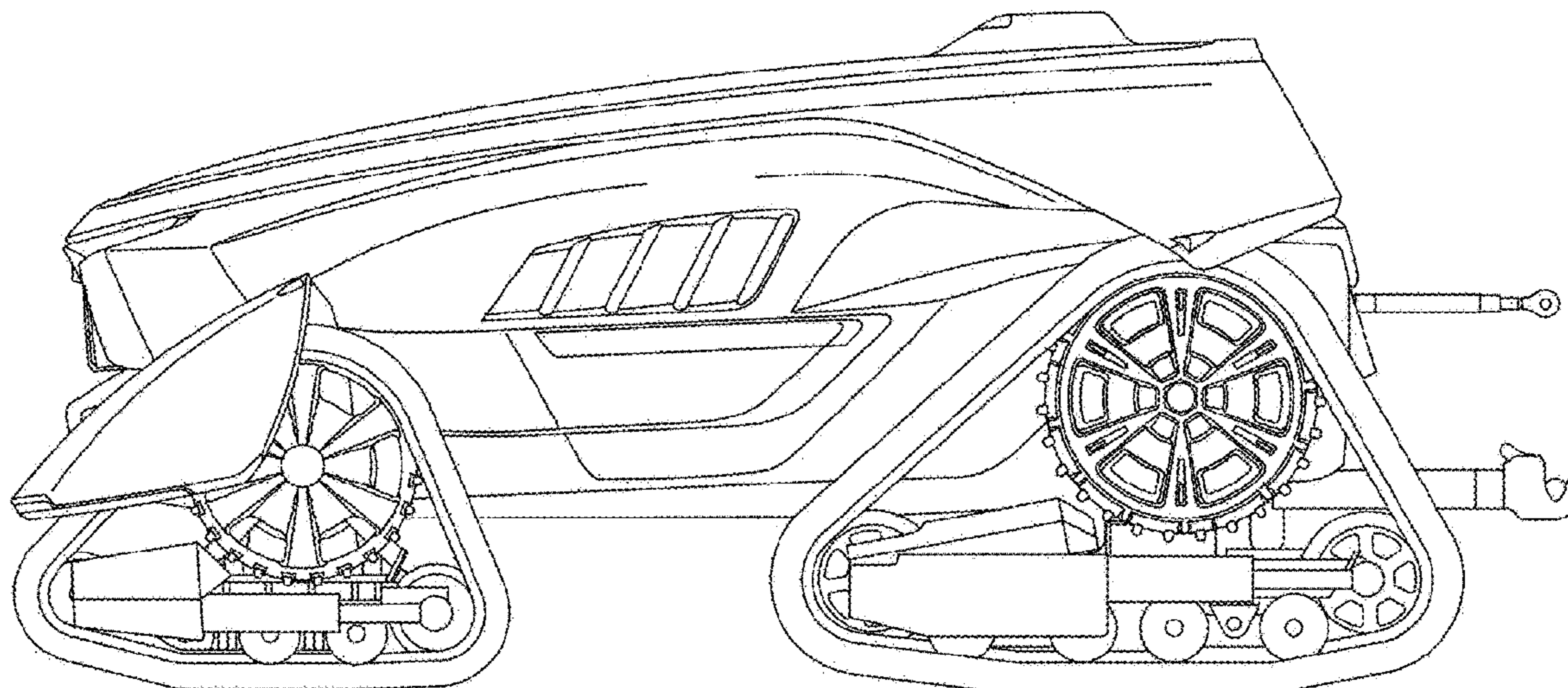
(57) **CLAIM**

The ornamental design for a tractor, as shown and described.

DESCRIPTION

1.1 is a front elevation view of a tractor, showing our new design;
1.2 is a rear elevation view thereof;
1.3 is a left side elevation view thereof;
1.4 is a right side elevation view thereof;
1.5 is a top view thereof;
1.6 is an upper left front perspective view thereof; and
1.7 is an upper right rear perspective view thereof.
A bottom view is omitted because it is plain and unornamental and forms no part of the subject matter of the claimed design.

1 Claim, 7 Drawing Sheets



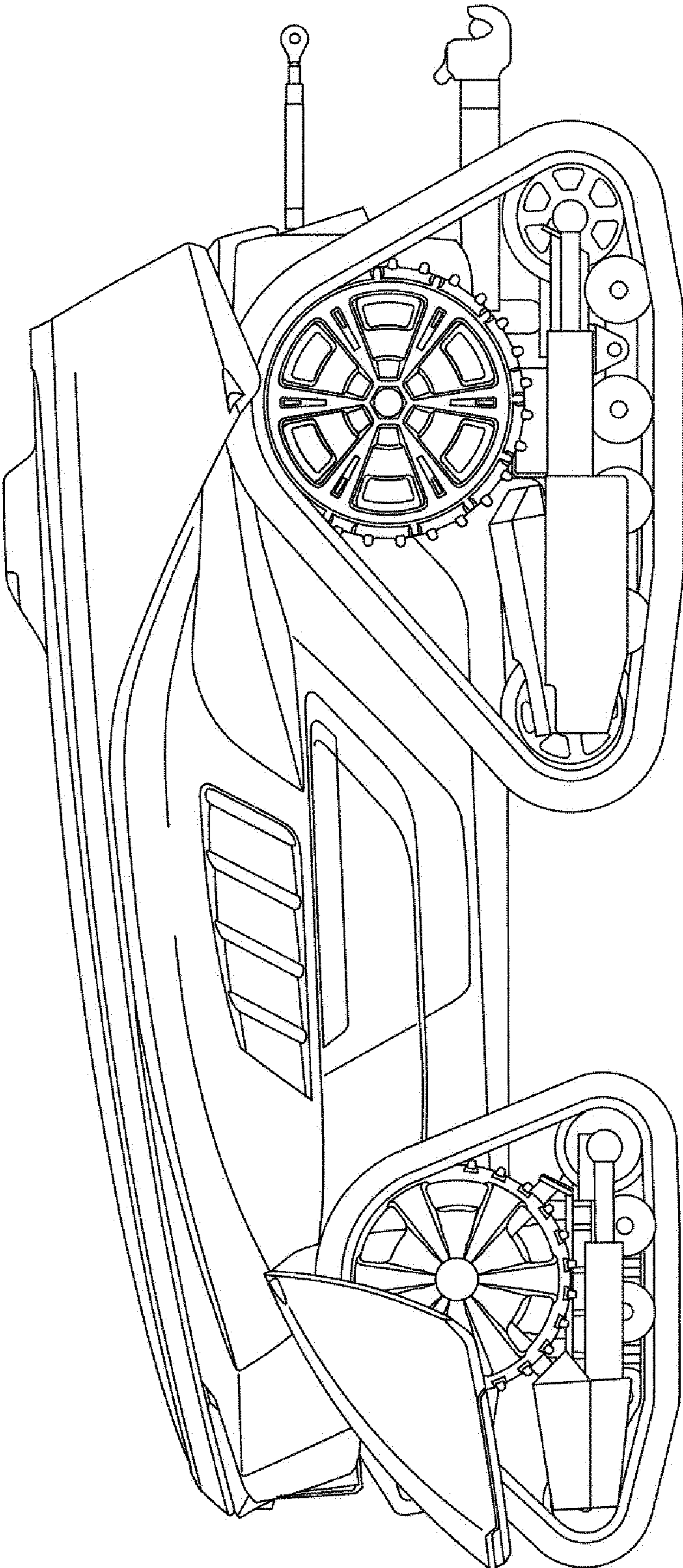
(56)

References Cited

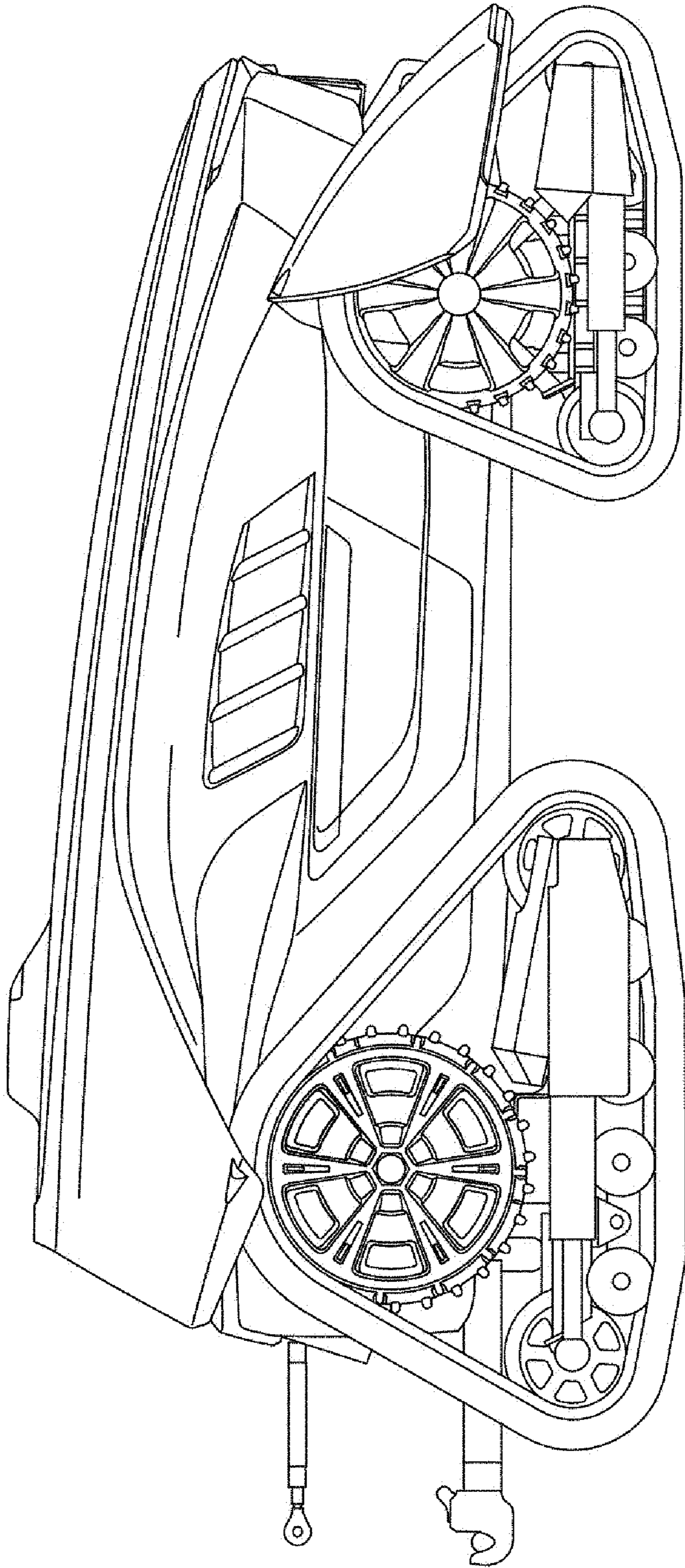
U.S. PATENT DOCUMENTS

D693,374 S *	11/2013	Chlystek	D15/23
D693,375 S *	11/2013	Chlystek	D15/23
D703,699 S *	4/2014	Shimomura	D15/23
D708,232 S *	7/2014	Furuki	D15/23
D729,851 S *	5/2015	Kushita	D15/23
D759,730 S *	6/2016	Okuyama	D15/26
D777,214 S *	1/2017	Moritaka	D15/26
D777,215 S *	1/2017	Moritaka	D15/26
D777,798 S *	1/2017	Yetkin	D15/26
D783,059 S *	4/2017	Okuyama	D15/23
D784,422 S *	4/2017	Okuyama	D15/23
D785,050 S *	4/2017	Okuyama	D15/23
D785,051 S *	4/2017	Okuyama	D15/23
D786,941 S *	5/2017	Kushita	D15/26
D849,060 S *	5/2019	Tullius	D15/24
D878,428 S *	3/2020	Furuki	D15/23
D910,088 S *	2/2021	Futagami	D15/33

* cited by examiner

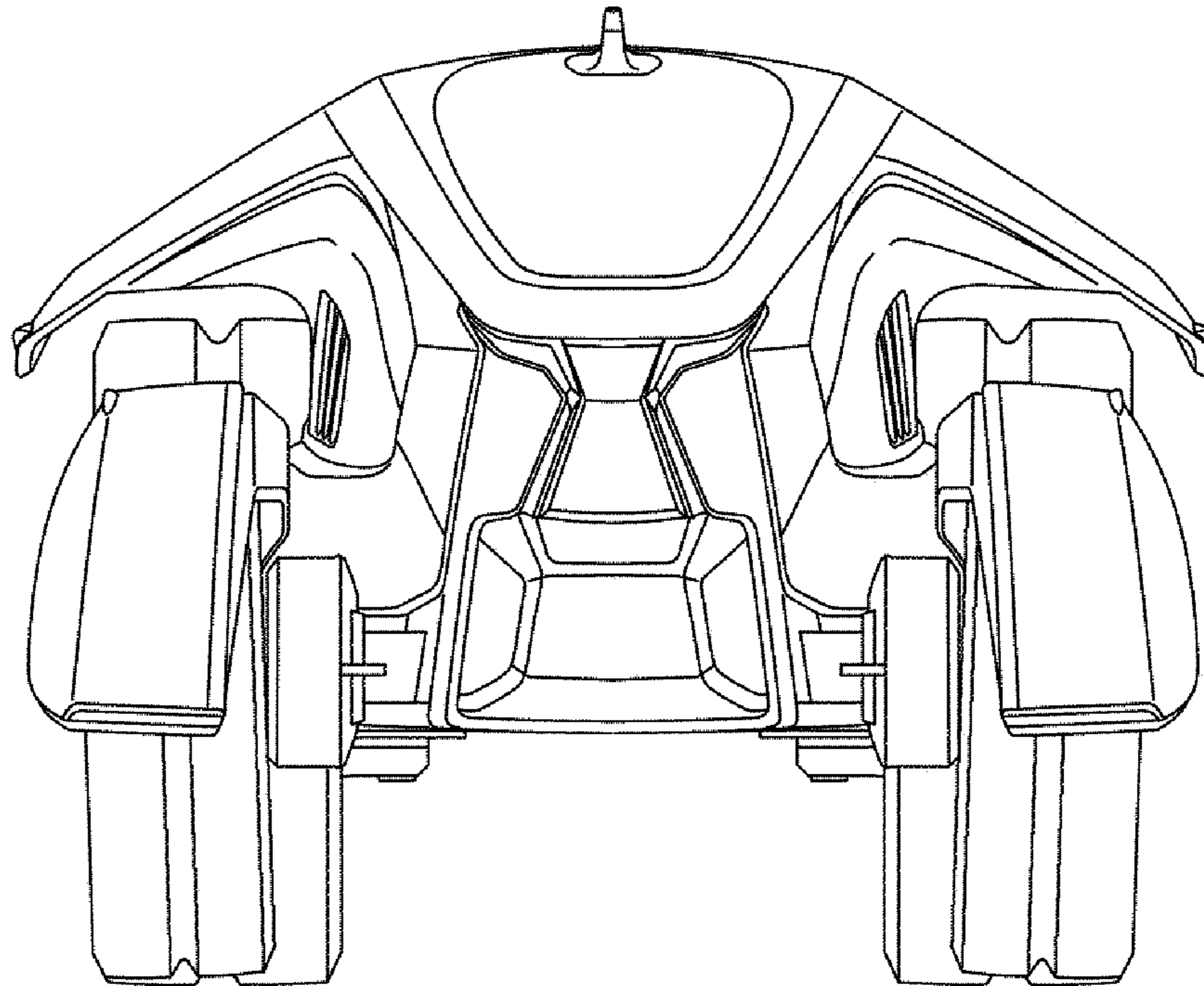


1.1

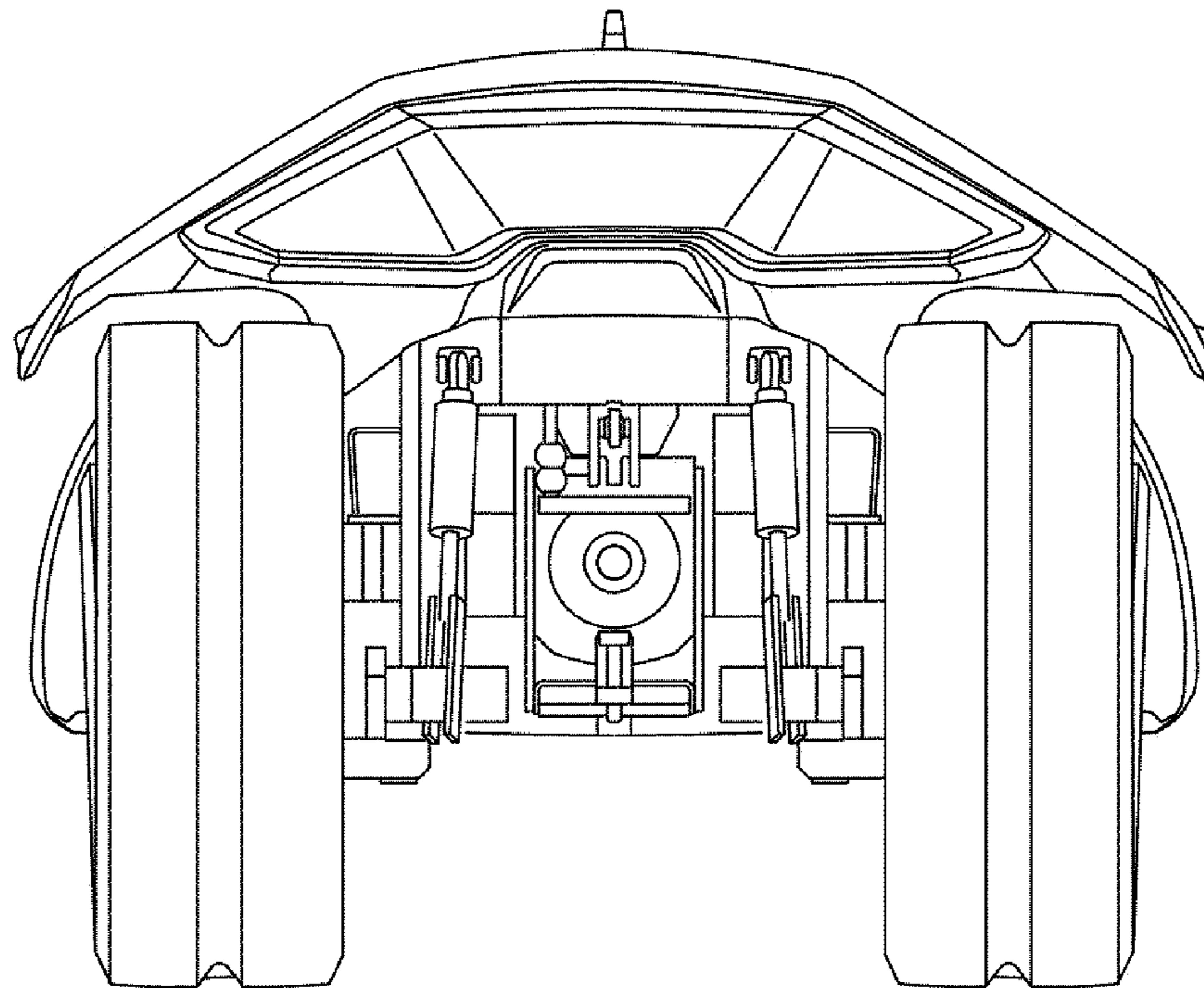


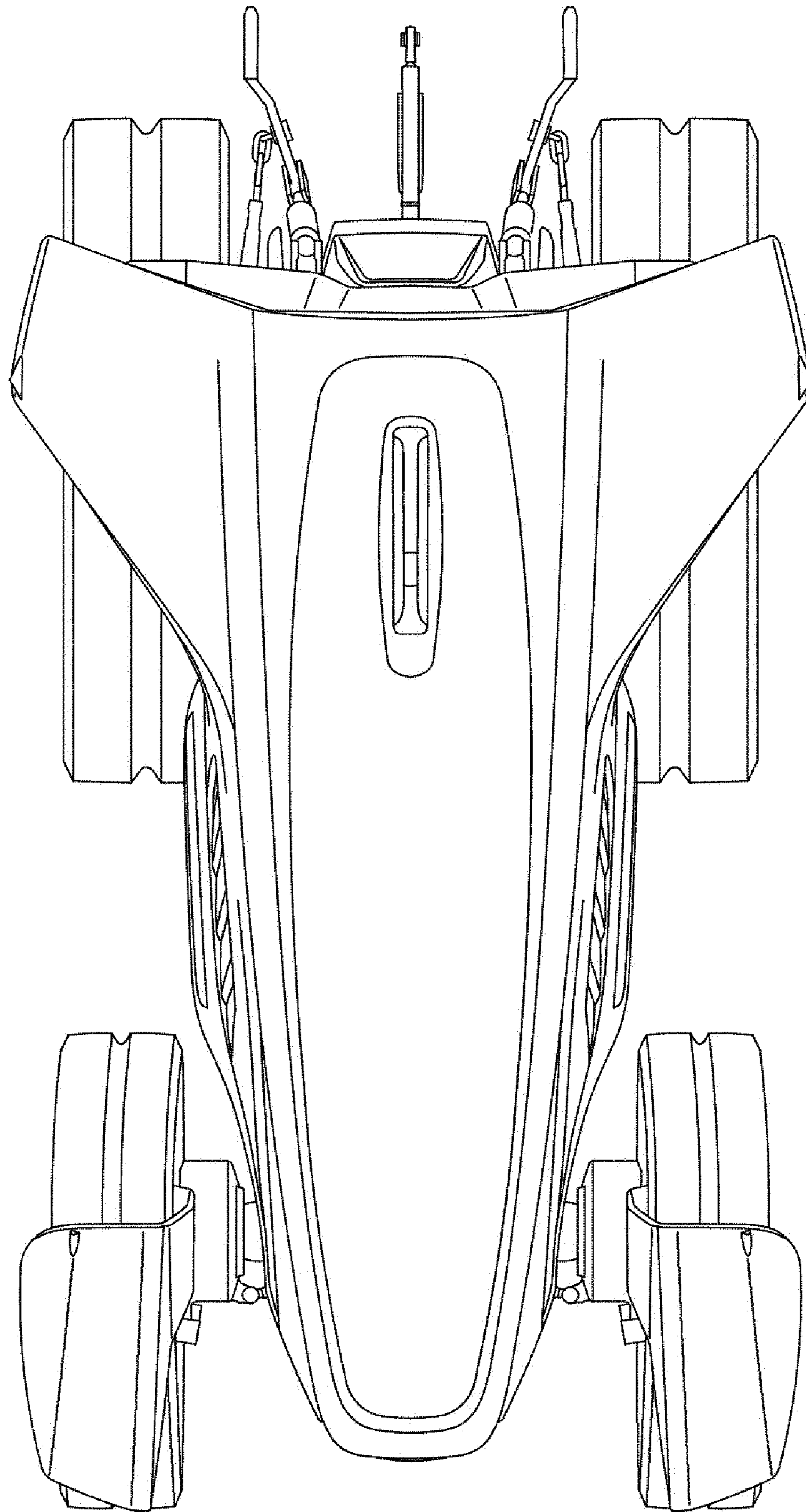
1.2

1.3

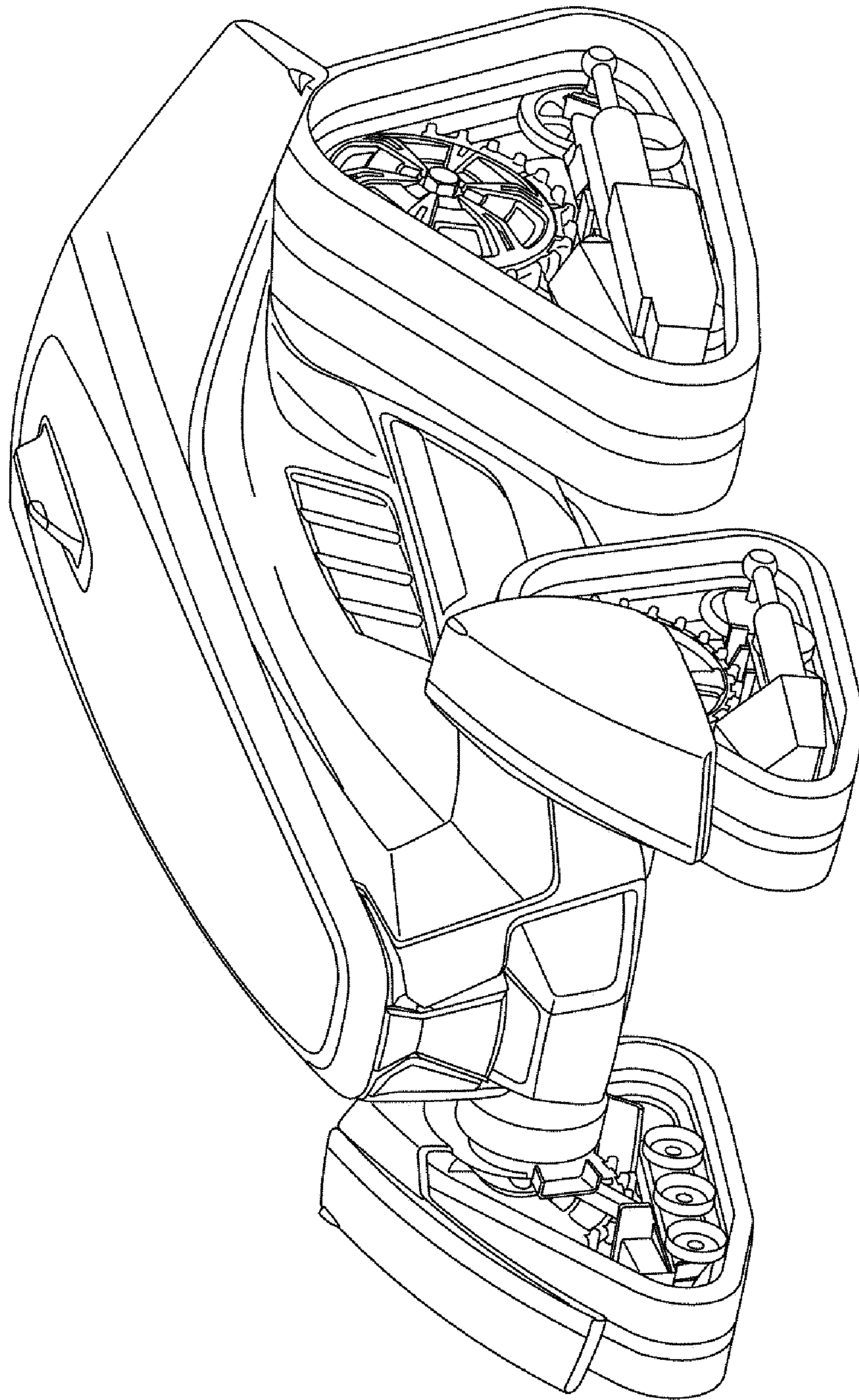


1.4

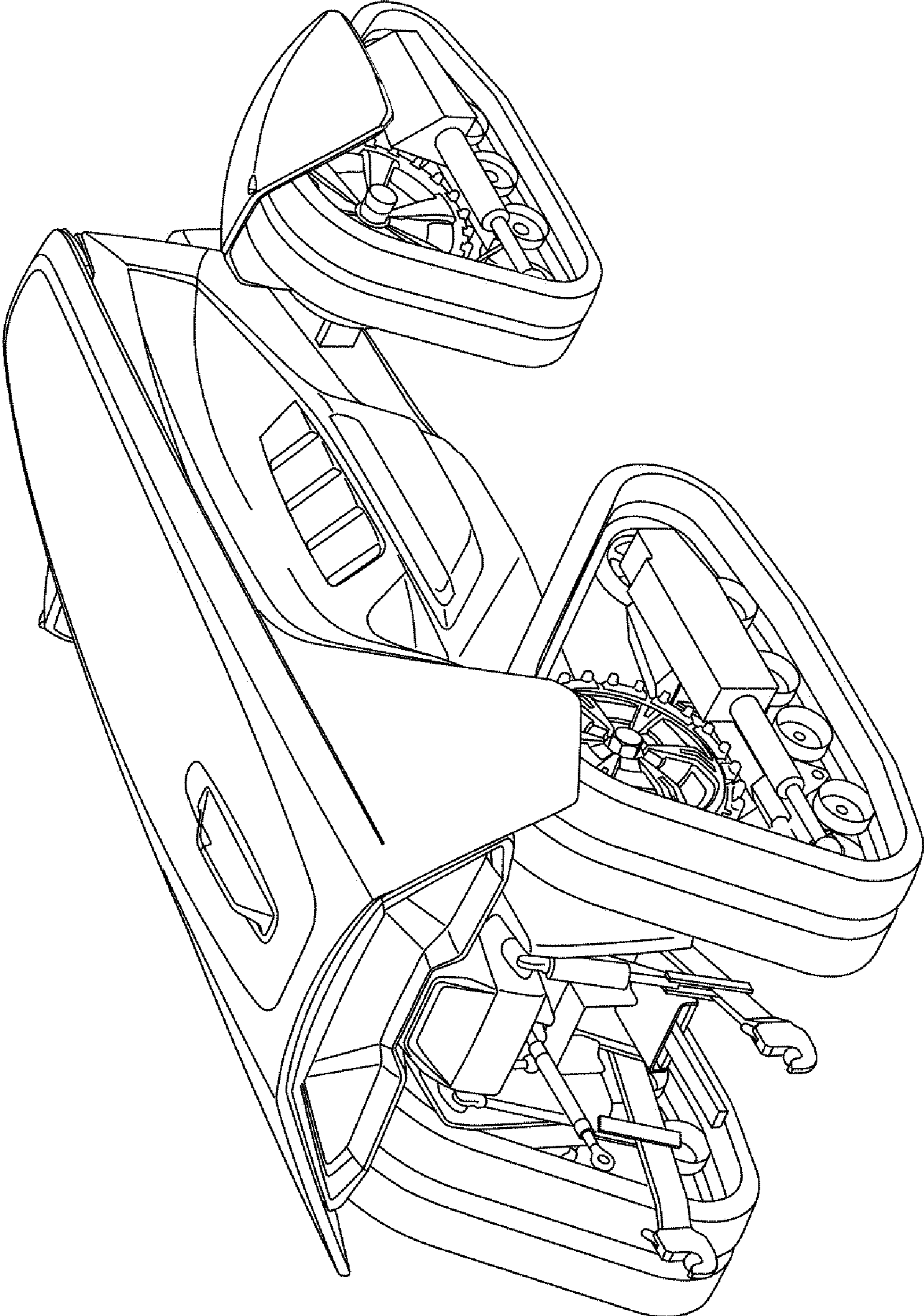




1.5



1.6



1.7