

US00D937906S

(12) **United States Design Patent** (10) **Patent No.:** **US D937,906 S**
Norman, III et al. (45) **Date of Patent:** **** Dec. 7, 2021**

(54) **PRESSURE VESSEL CLOSURE**
(71) Applicant: **Key Safety Systems, Inc.**, Sterling Heights, MI (US)
(72) Inventors: **Kent Norman, III**, St. Petersburg, FL (US); **William F. McLeod**, Sterling Heights, MI (US)
(**) Term: **15 Years**
(21) Appl. No.: **29/644,672**
(22) Filed: **Apr. 19, 2018**
(51) **LOC (13) Cl.** **15-02**
(52) **U.S. Cl.**
USPC **D15/9; D12/177**
(58) **Field of Classification Search**
USPC D9/434, 435, 439, 440, 442-450, D9/452-457, 499, 503-505, 682, 685, D9/686; D7/387, 391, 392, 392.1, 396.1, D7/396.2, 507, 509-511, 538, 900; D3/202, 203.2, 294, 318; D28/91, 91.1; D12/177; D15/9
CPC .. A61J 1/00; A61J 1/1412; B65D 1/00; B65D 1/02; B65D 1/10; B65D 1/46; B65D 5/46; B65D 41/00; B65D 41/38; B65D 41/56; B65D 41/62; B65D 47/00; B65D 47/06; B65D 47/08; B65D 2251/00; B65D 2543/00046; B65D 2543/00092; B65D 2543/00296
See application file for complete search history.

D518,377 S * 4/2006 Kortleven D9/435
D562,135 S * 2/2008 Studee D9/454
D562,626 S * 2/2008 Freeman D7/387
D600,972 S * 9/2009 Andersson D7/391
D643,442 S * 8/2011 Sato D15/9
D679,181 S * 4/2013 Vogel D9/447
D712,260 S * 9/2014 Humm D9/449
D714,144 S * 9/2014 Vogel D9/443
D719,979 S * 12/2014 Son D15/9
8,955,705 B2 * 2/2015 Vogel B65D 21/0223
220/253
D724,204 S * 3/2015 Shubin, Sr. D24/121
D726,308 S * 4/2015 Shubin, Sr. D24/121
D732,662 S * 6/2015 Shubin, Sr. D24/121
9,475,623 B2 * 10/2016 Vogel B65D 51/18

(Continued)

Primary Examiner — Wendy L Arminio
(74) *Attorney, Agent, or Firm* — Meunier Carlin & Curfman LLC

(57) **CLAIM**

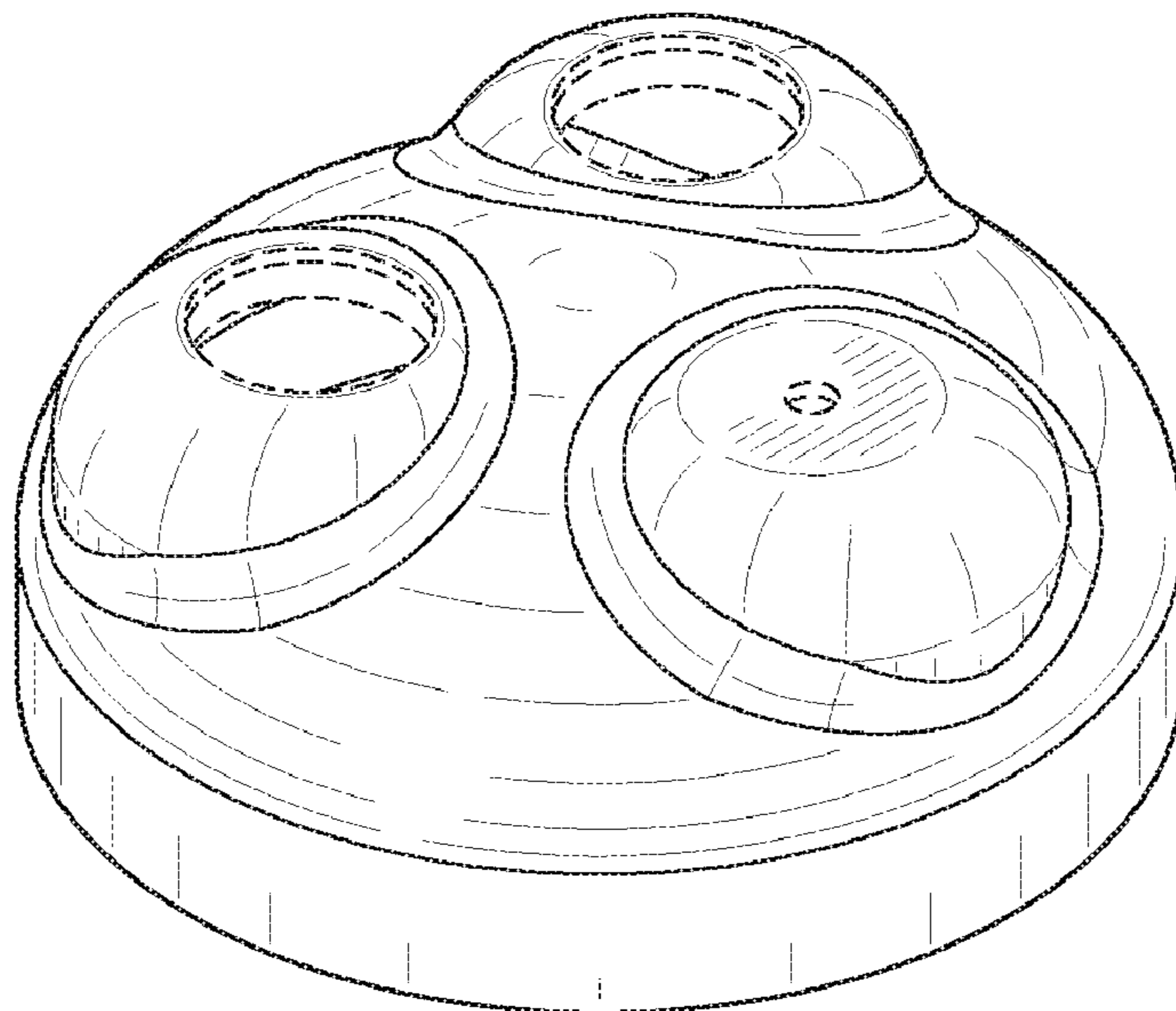
The ornamental design for a pressure vessel closure, as shown and described.

DESCRIPTION

FIG. 1 is a top perspective view of a pressure vessel closure, showing my new design.
FIG. 2 is a bottom perspective view of my new design shown in FIG. 1.
FIG. 3 is a top view of my new design shown in FIG. 1.
FIG. 4 is a bottom view of my new design shown in FIG. 1.
FIG. 5 is a side view of my new design shown in FIG. 1.
FIG. 6 is a side view of my new design shown in FIG. 1.
FIG. 7 is a side view of my new design shown in FIG. 1.
FIG. 8 is a side view of my new design shown in FIG. 1; and, FIG. 9 is a cross-sectional view taken from line 9-9 of FIG. 3.
The broken lines depict portions of the pressure vessel closure that form no part of the claimed design.

(56) **References Cited**
U.S. PATENT DOCUMENTS
3,598,270 A 8/1971 Adomaitis et al.
4,785,950 A 11/1988 Miller et al.
5,738,236 A * 4/1998 Brun, Jr. B65D 47/265
215/309
D490,822 S * 6/2004 Suehiro D15/9

1 Claim, 3 Drawing Sheets



(56)

References Cited

U.S. PATENT DOCUMENTS

D795,766 S * 8/2017 Banno D12/177
D798,110 S * 9/2017 Valenti D7/507
D824,426 S * 7/2018 Mish D15/9
D840,227 S * 2/2019 Lebon D9/447
D843,779 S * 3/2019 Slown D7/392.1
D872,771 S * 1/2020 Mish D15/9
D909,265 S * 2/2021 Inagaki D12/177
2009/0020032 A1 * 1/2009 Trevillyan B60R 21/2644
102/276
2019/0322239 A1 * 10/2019 Norman, III B60R 21/017
2019/0323662 A1 * 10/2019 Norman, III B60R 21/274

* cited by examiner

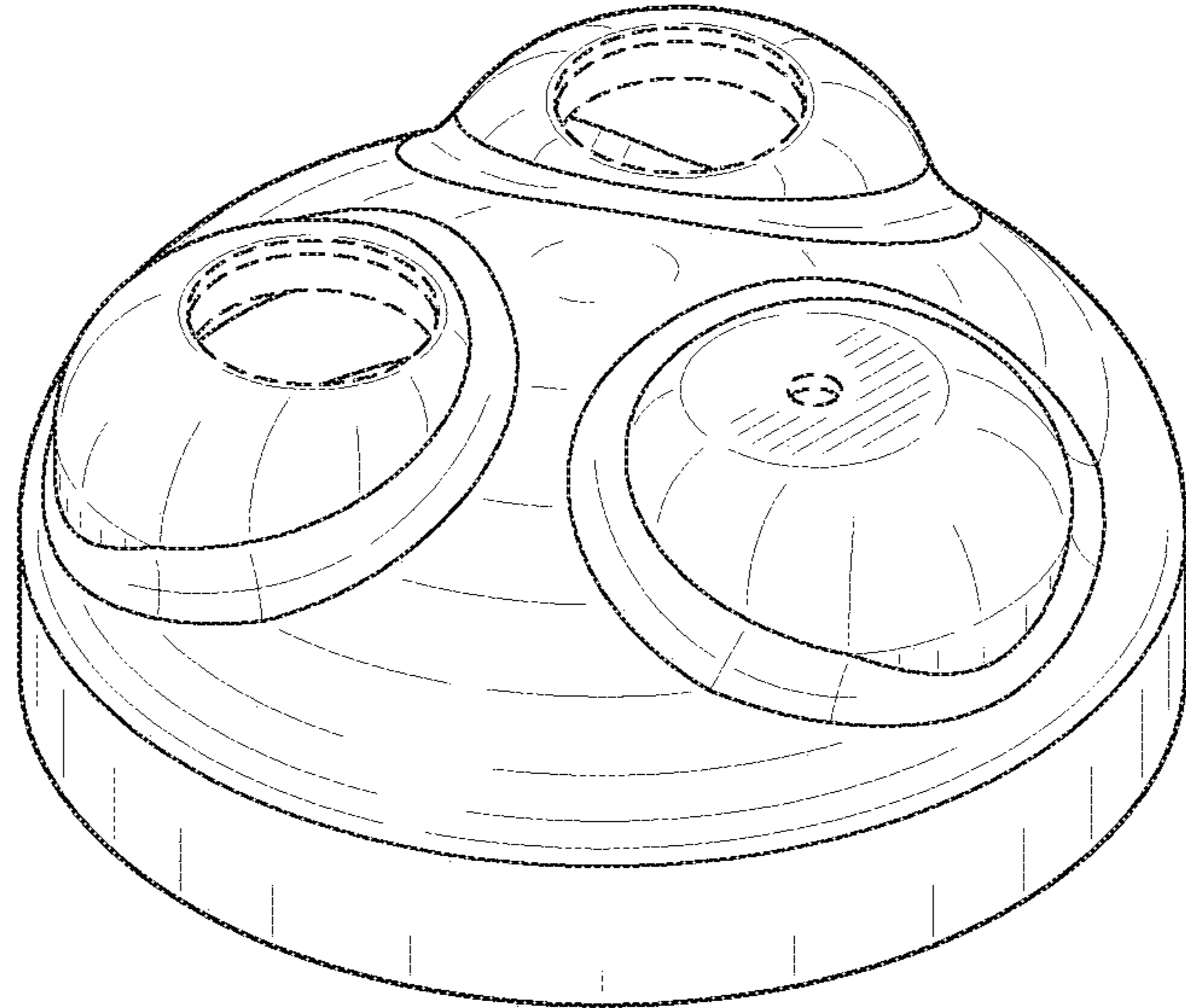


FIG. 1

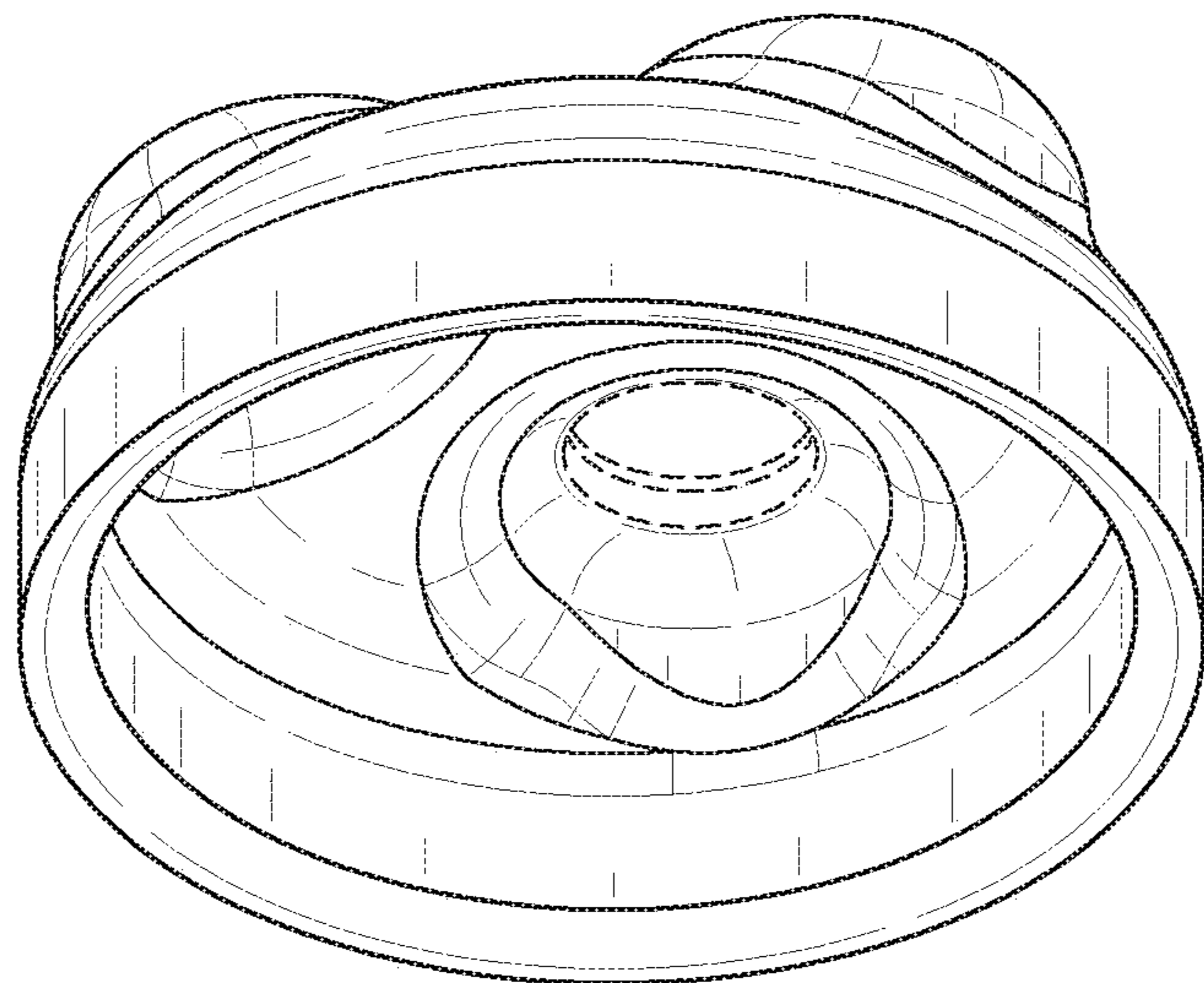


FIG. 2

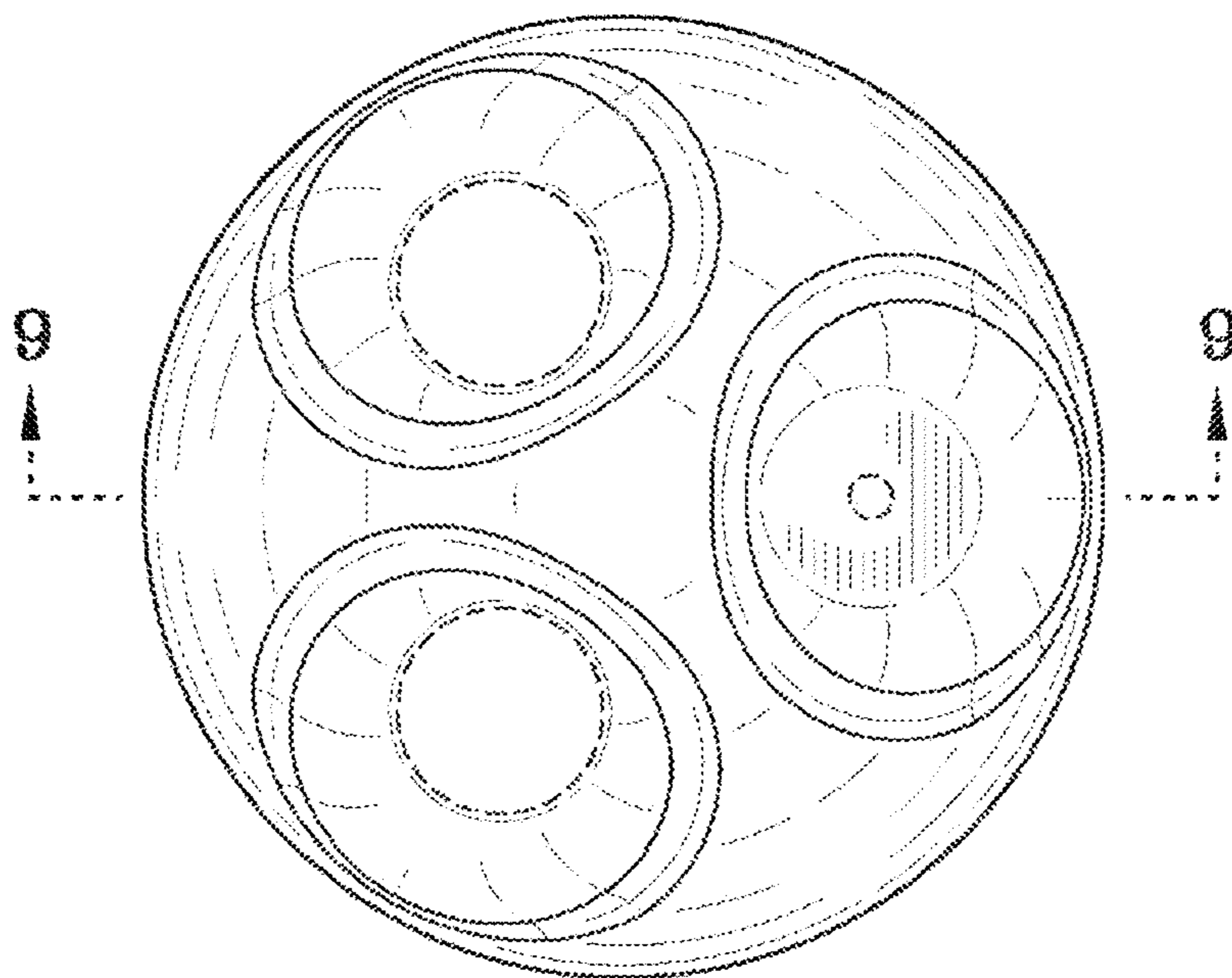


FIG. 3

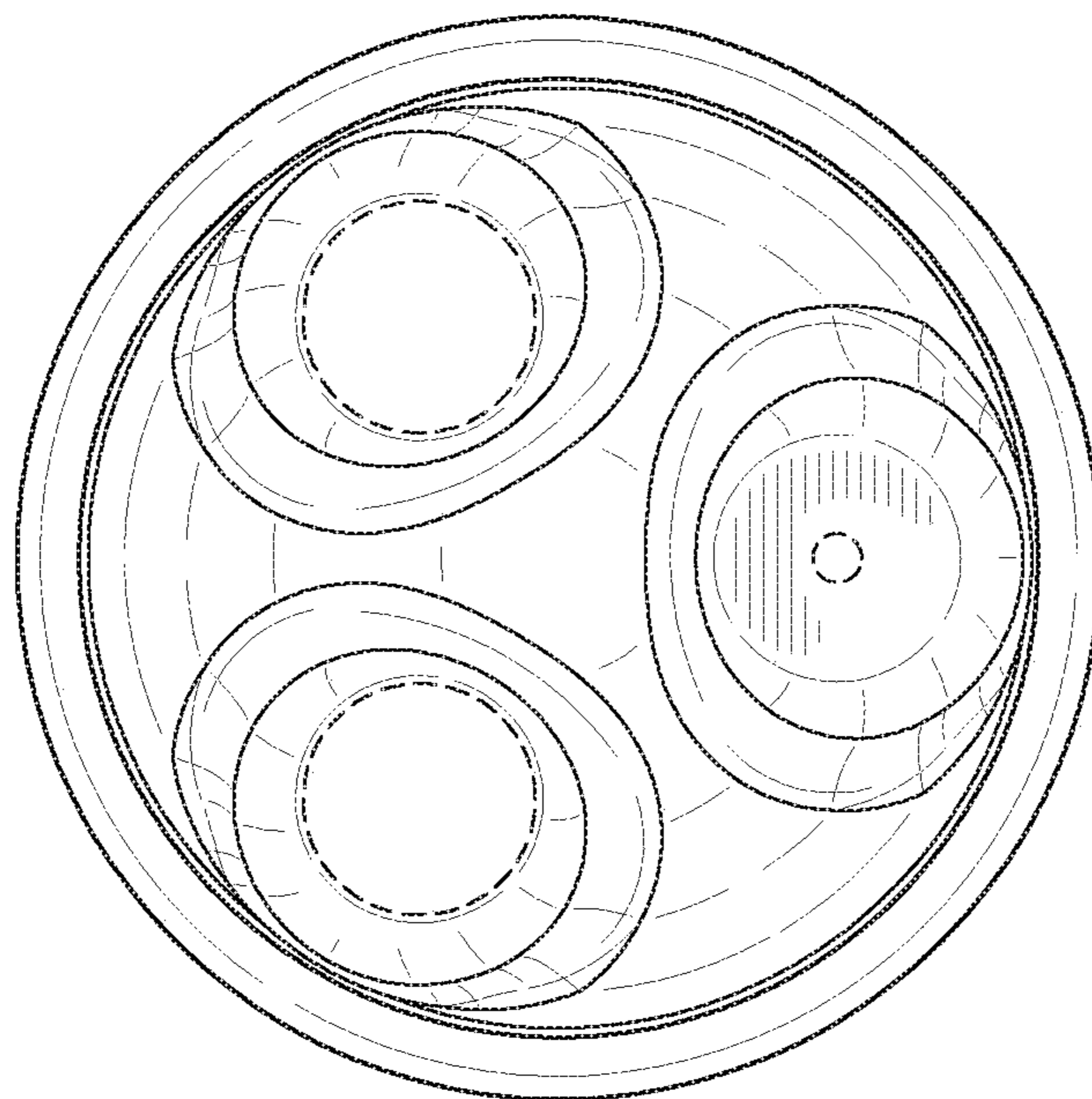


FIG. 4

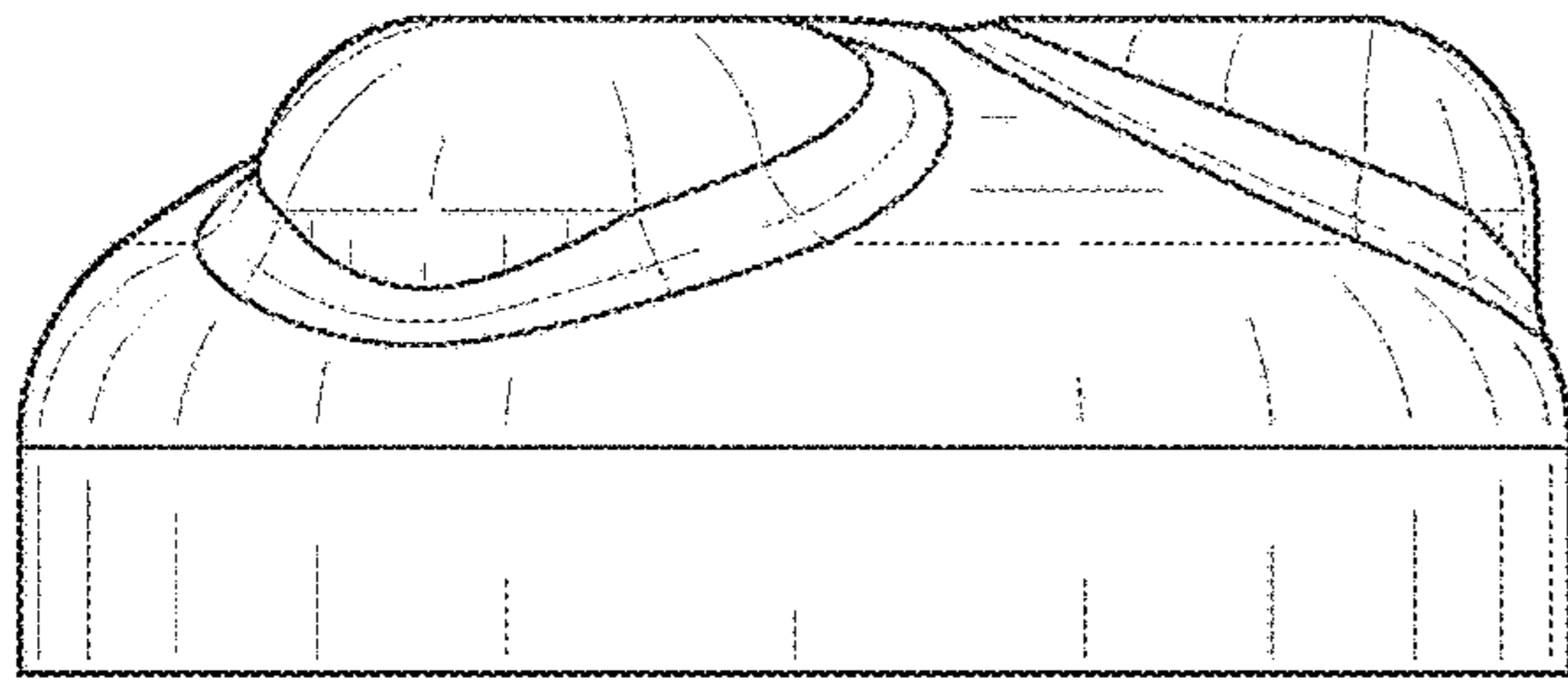


FIG. 5

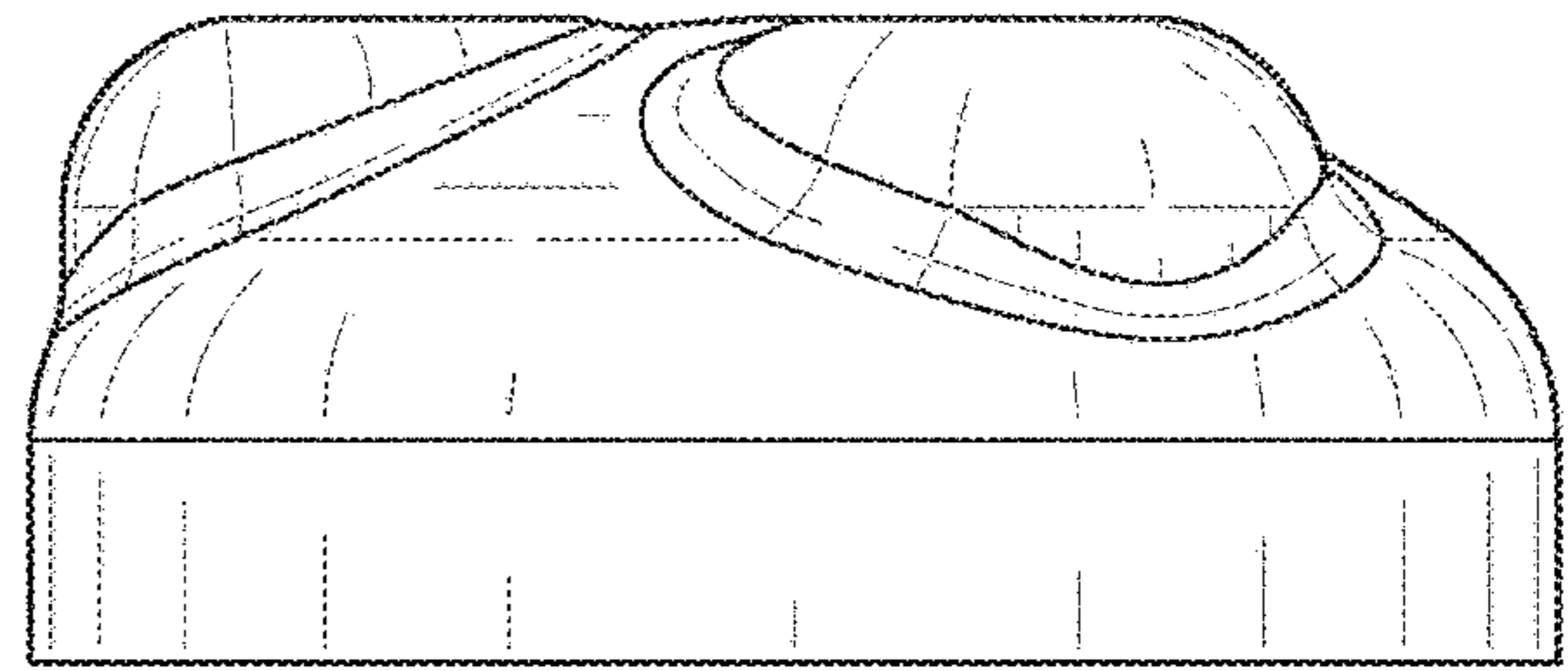


FIG. 6

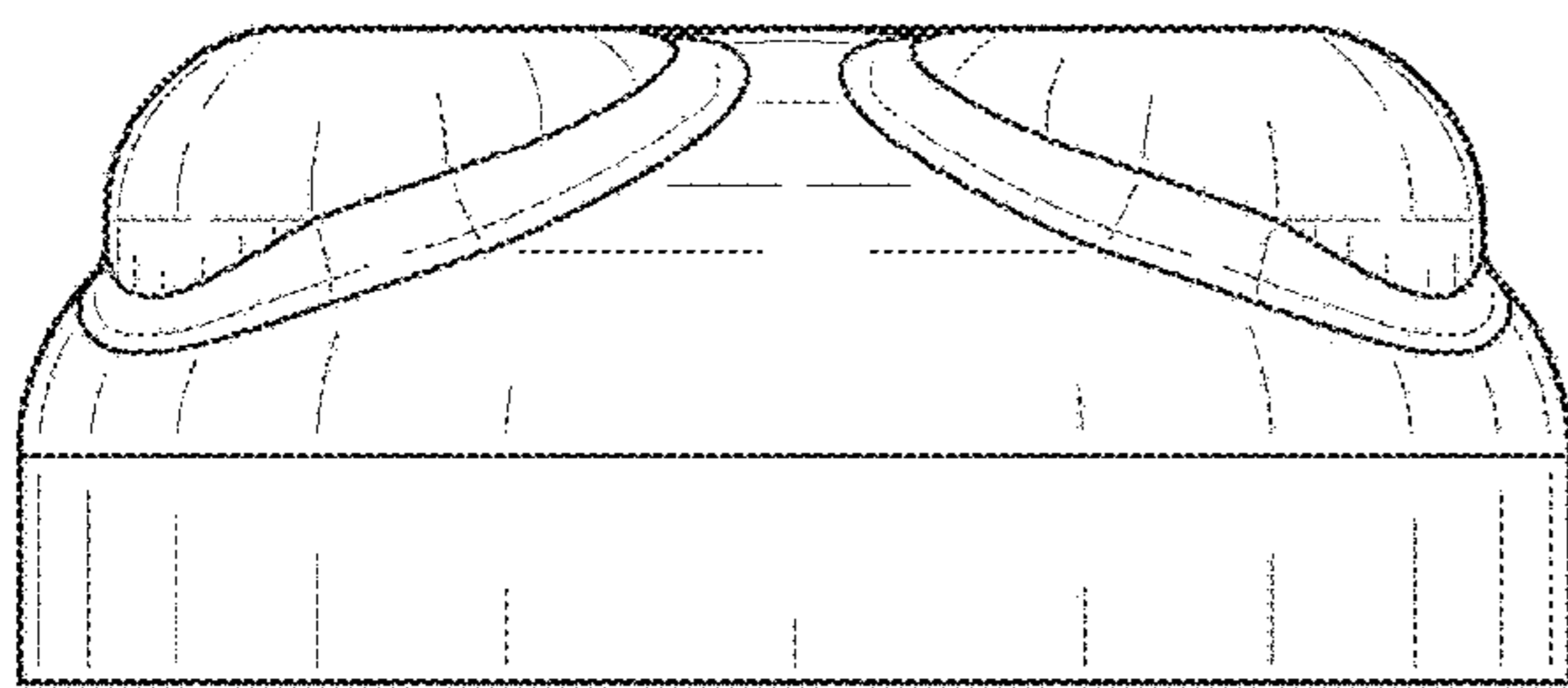


FIG. 7

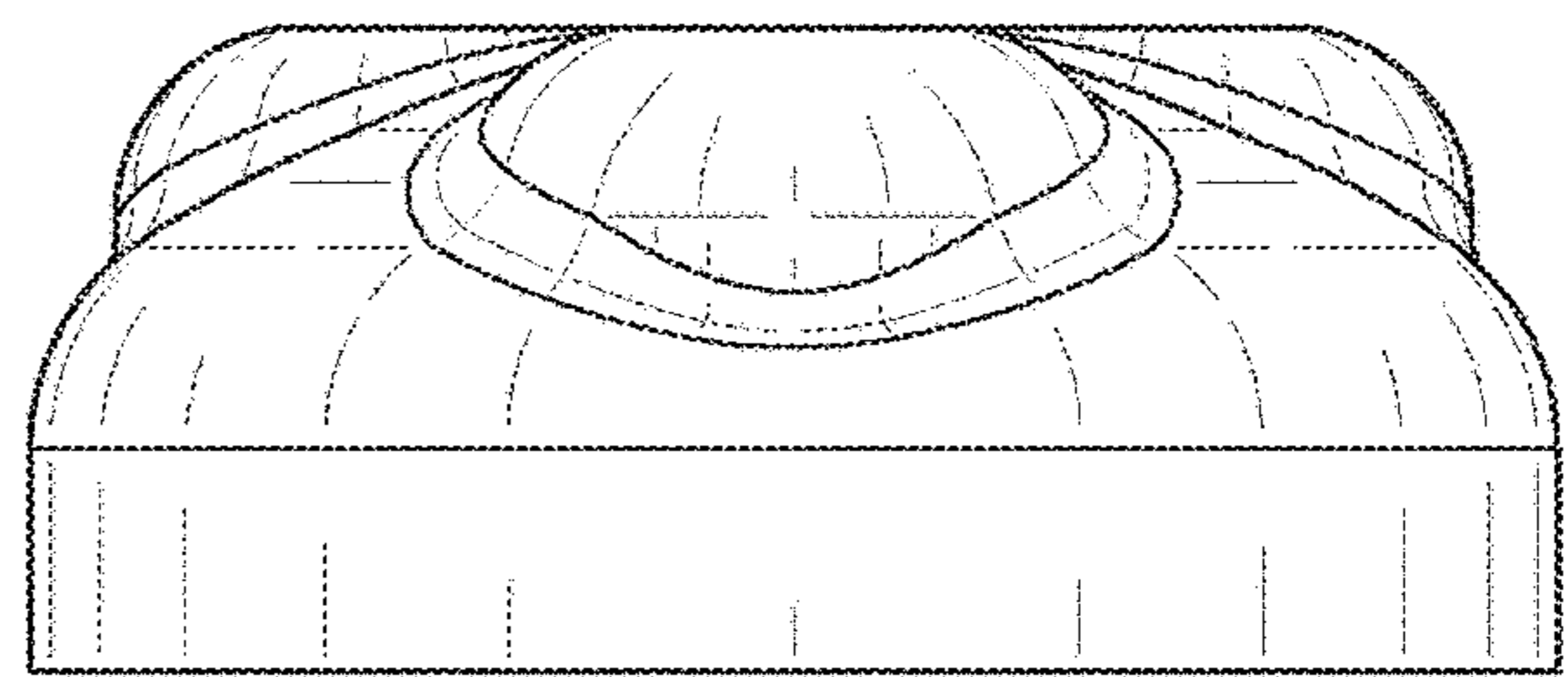


FIG. 8

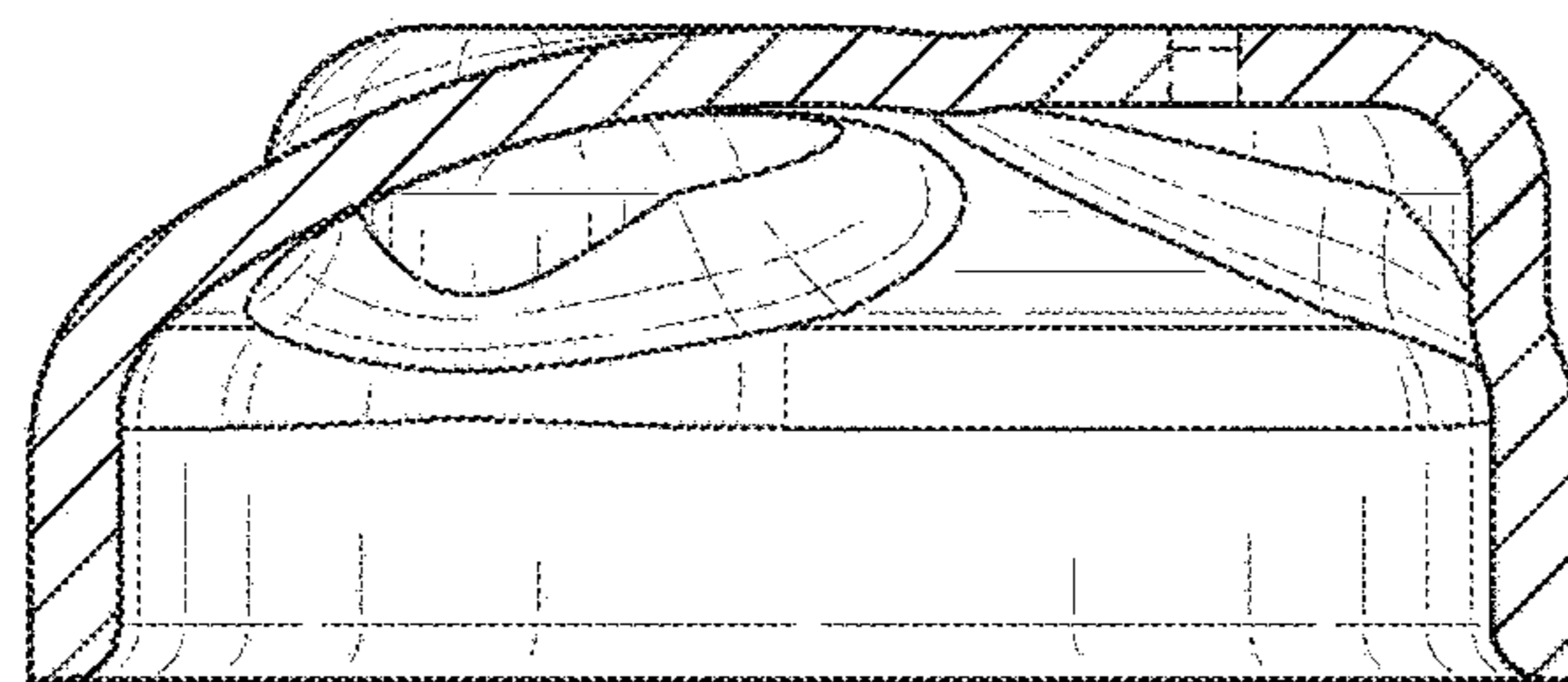


FIG. 9