



US00D937905S

(12) **United States Design Patent** (10) **Patent No.:** **US D937,905 S**
Kim et al. (45) **Date of Patent:** **** Dec. 7, 2021**

(54) **SPRING FOR PUMPING VESSEL** 4,207,755 A * 6/1980 Weible F16D 3/725
464/60
(71) Applicant: **YONWOO CO., LTD.**, Incheon (KR) D279,163 S * 6/1985 Lye D8/25
D658,681 S * 5/2012 Takemori D15/7
(72) Inventors: **Chul Ki Kim**, Incheon (KR); **Seong**
Ho Kim, Incheon (KR); **Dong Jin Lim**,
Incheon (KR) D672,568 S * 12/2012 Keeley D6/349
9,144,813 B2 * 9/2015 Kim B05B 11/3059
D757,870 S * 5/2016 Leslie D21/693
D758,218 S * 6/2016 Bunch D10/64
(Continued)

(73) Assignee: **YONWOO CO., LTD.**, Incheon (KR)

(**) Term: **15 Years**

(21) Appl. No.: **29/735,521**

(22) Filed: **May 21, 2020**

(30) **Foreign Application Priority Data**

Dec. 4, 2019 (KR) 30-2019-0058430

(51) **LOC (13) Cl.** **15-02**

(52) **U.S. Cl.**
USPC **D15/7; D9/448**

(58) **Field of Classification Search**
USPC D28/91.1; D9/448, 682, 685, 688;
D15/7, 28, 199; D8/25, 354, 355, 382,
D8/383, 385, 499; D6/542, 606, 708;
D12/159; D99/99

CPC F04B 45/02; F04B 33/00; B65D 83/0005;
B65D 83/14; B65D 83/16; B65D 83/20;
B65D 83/205; F16F 1/3605; B05B 11/00;
B05B 11/02; B05B 11/025; B05B 11/30;
B05B 11/309

See application file for complete search history.

(56) **References Cited**

U.S. PATENT DOCUMENTS

3,068,666 A * 12/1962 Sabadash F16D 3/72
464/60
3,448,591 A * 6/1969 Spyra F16D 3/72
464/60
4,203,305 A * 5/1980 Williams F16D 3/72
464/60

OTHER PUBLICATIONS

C.S. Unitec, WG 120 4.5" Medium-Viscosity Mixing Paddle, (first available date Mar. 7, 2017), Amazon.com, URL:<<https://www.amazon.com/Unitec-WG-120-Medium-Viscosity-Mixing/dp/B06XGDYC7P>> (Year: 2017).*

(Continued)

Primary Examiner — Sheryl Lane

Assistant Examiner — Mark T. Philipps

(74) *Attorney, Agent, or Firm* — Novick, Kim & Lee, PLLC; Sang Ho Lee; Hyun Woo Shin

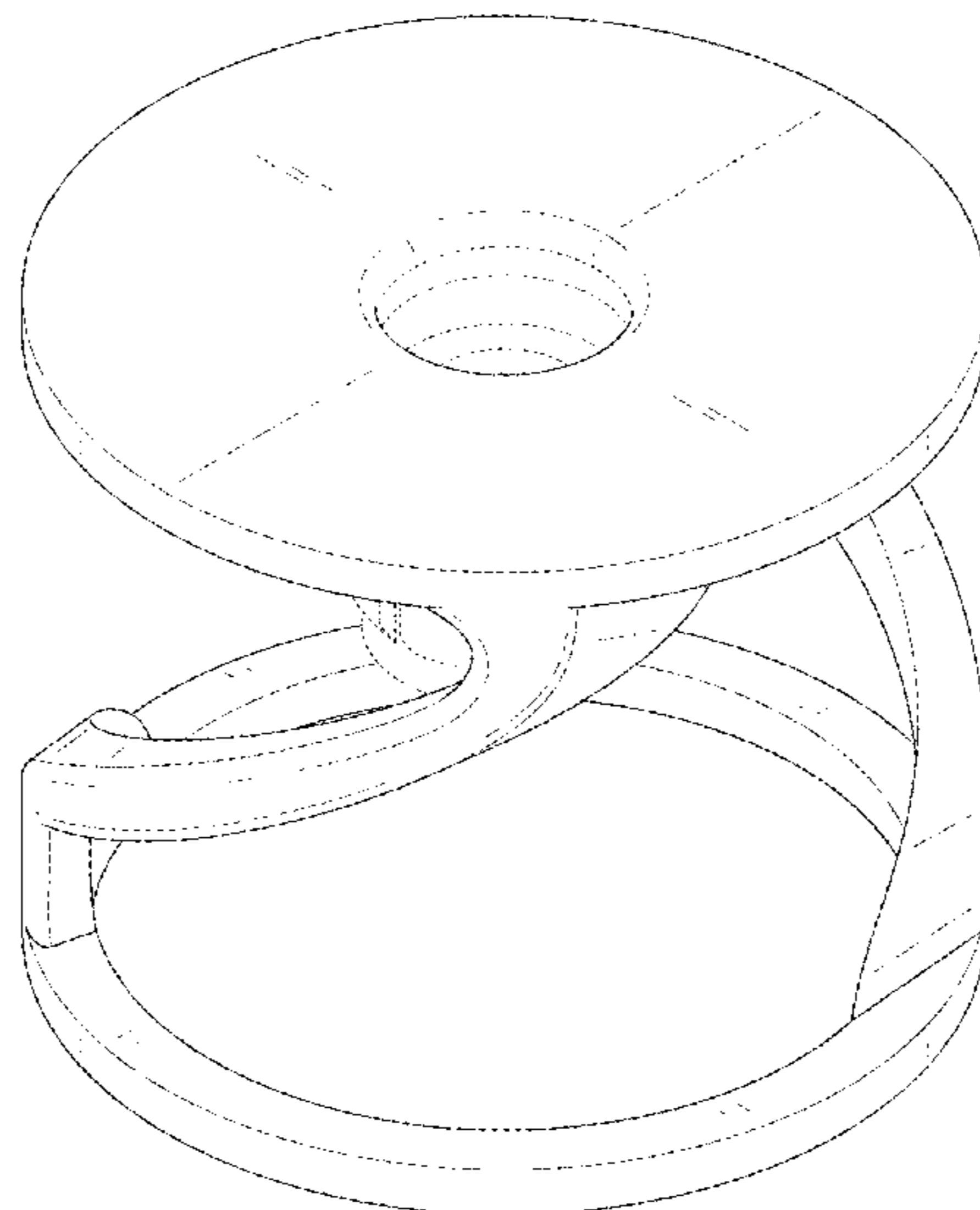
(57) **CLAIM**

We claim the ornamental design for a spring for pumping vessel, as shown and described.

DESCRIPTION

FIG. 1 is a perspective view of a spring for pumping vessel, showing our new design;
FIG. 2 is a front elevational view thereof;
FIG. 3 is a rear elevational view thereof;
FIG. 4 is a left side elevational view thereof;
FIG. 5 is a right side elevational view thereof;
FIG. 6 is a top plan view thereof; and,
FIG. 7 is a bottom plan view thereof.
The broken lines in the drawings show portions of the spring for pumping vessel which form no part of the claimed design.

1 Claim, 7 Drawing Sheets



(56)

References Cited

U.S. PATENT DOCUMENTS

D800,807 S * 10/2017 Schollmayer B01F 7/001
D15/138
D820,007 S * 6/2018 Eigenmann D6/606
D863,002 S * 10/2019 Hung D8/14.1
D871,502 S * 12/2019 Kageyama D19/202
D917,933 S * 5/2021 Angel D6/606
2006/0169556 A1* 8/2006 Hsu F16F 9/435
188/314
2014/0049013 A1* 2/2014 Dehmel B60G 11/27
280/6.157
2019/0270109 A1* 9/2019 Lee B05B 11/3015

OTHER PUBLICATIONS

Kammika Import Export Co., Ltd, Haussmann—Tapered Round Wild Twisted Vine 16 D T × 20 in H Walnut Oil, (site visited Sep. 15, 2021), Houzz.com website, URL:<<https://www.houzz.com/products/haussmann-tapered-round-wild-twisted-vine-16-d-t-x-20-in-h-walnut-oil-prvw-vr~23974249>> (Year: 2021).*

* cited by examiner

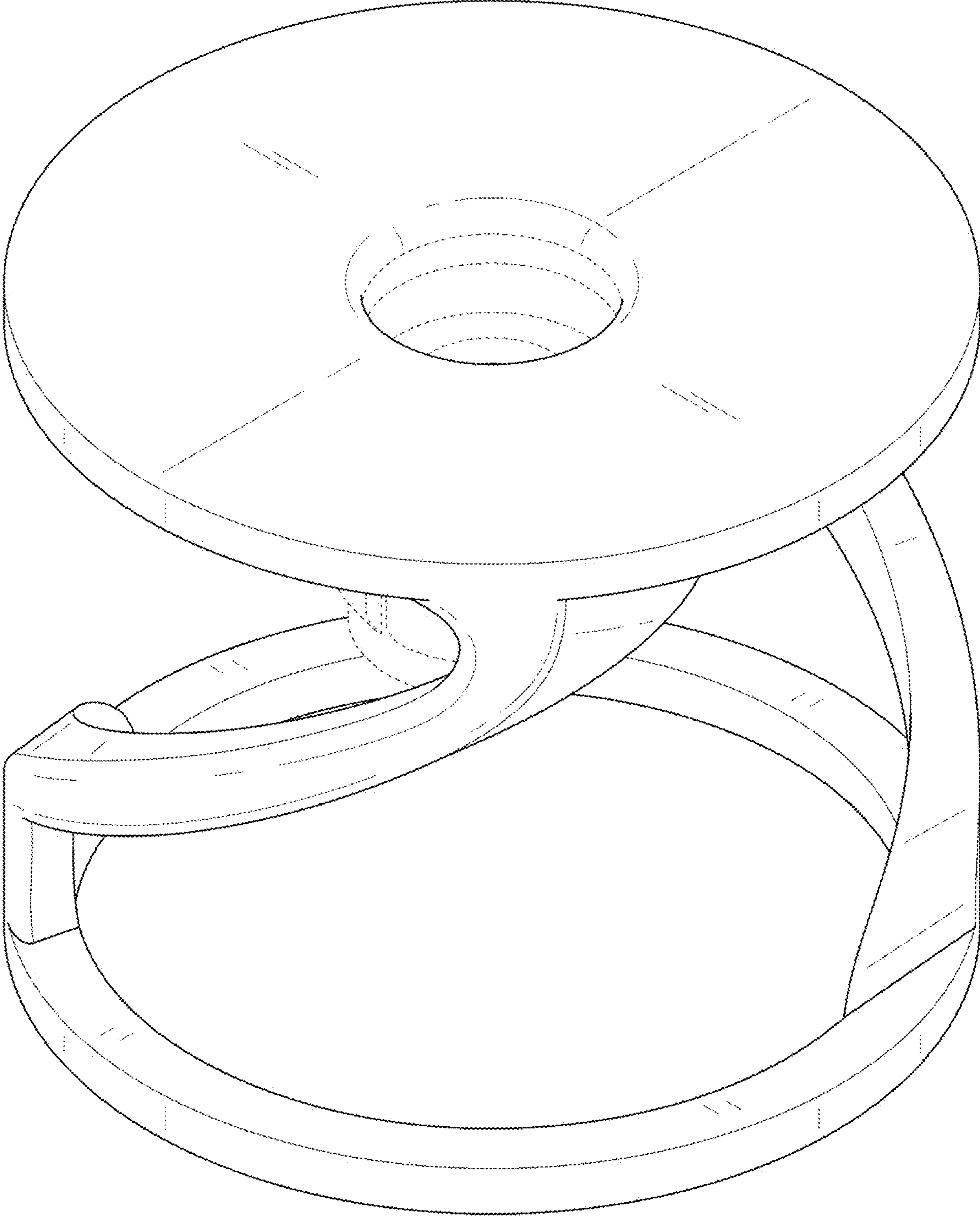


FIG. 1

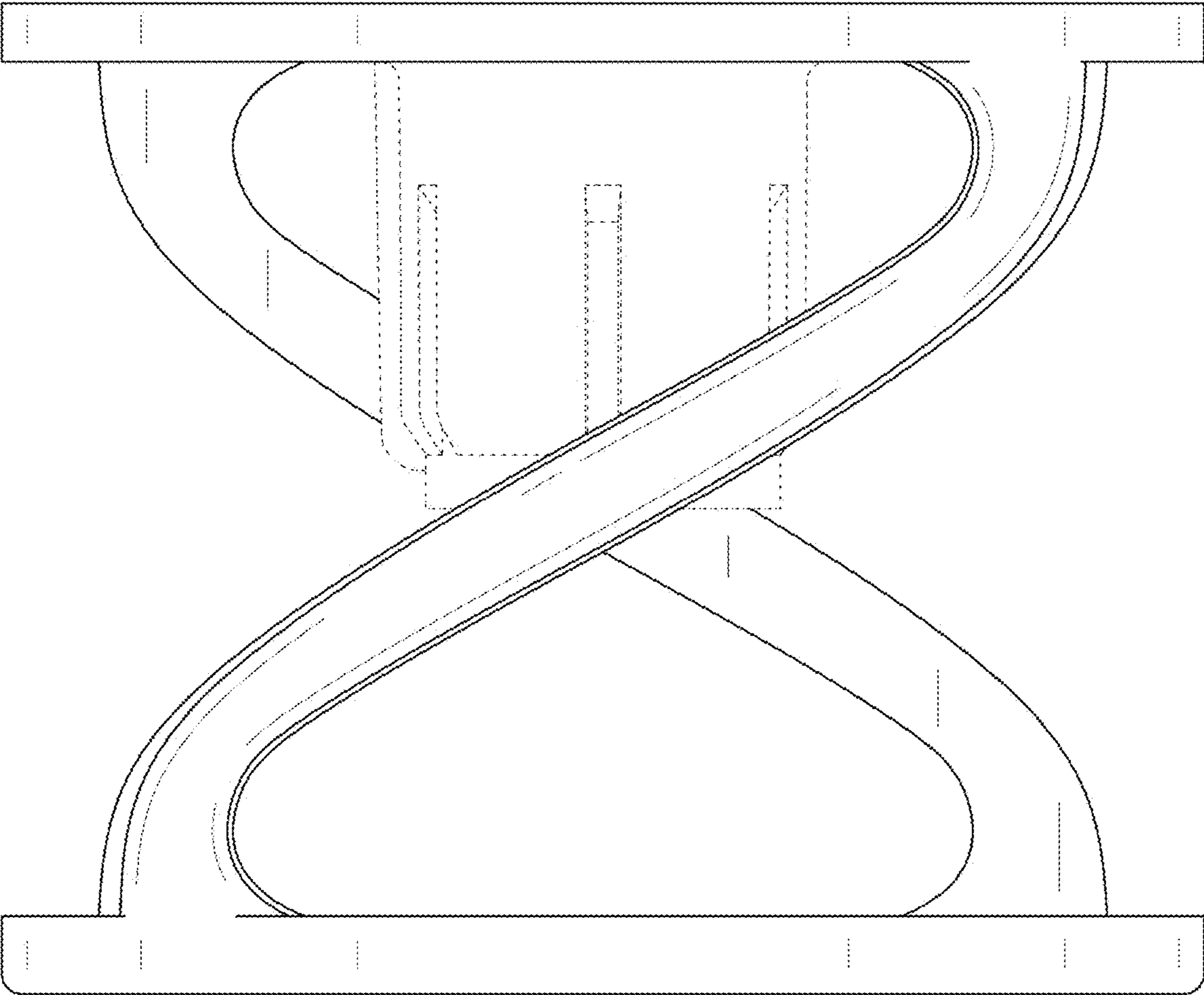


FIG. 2

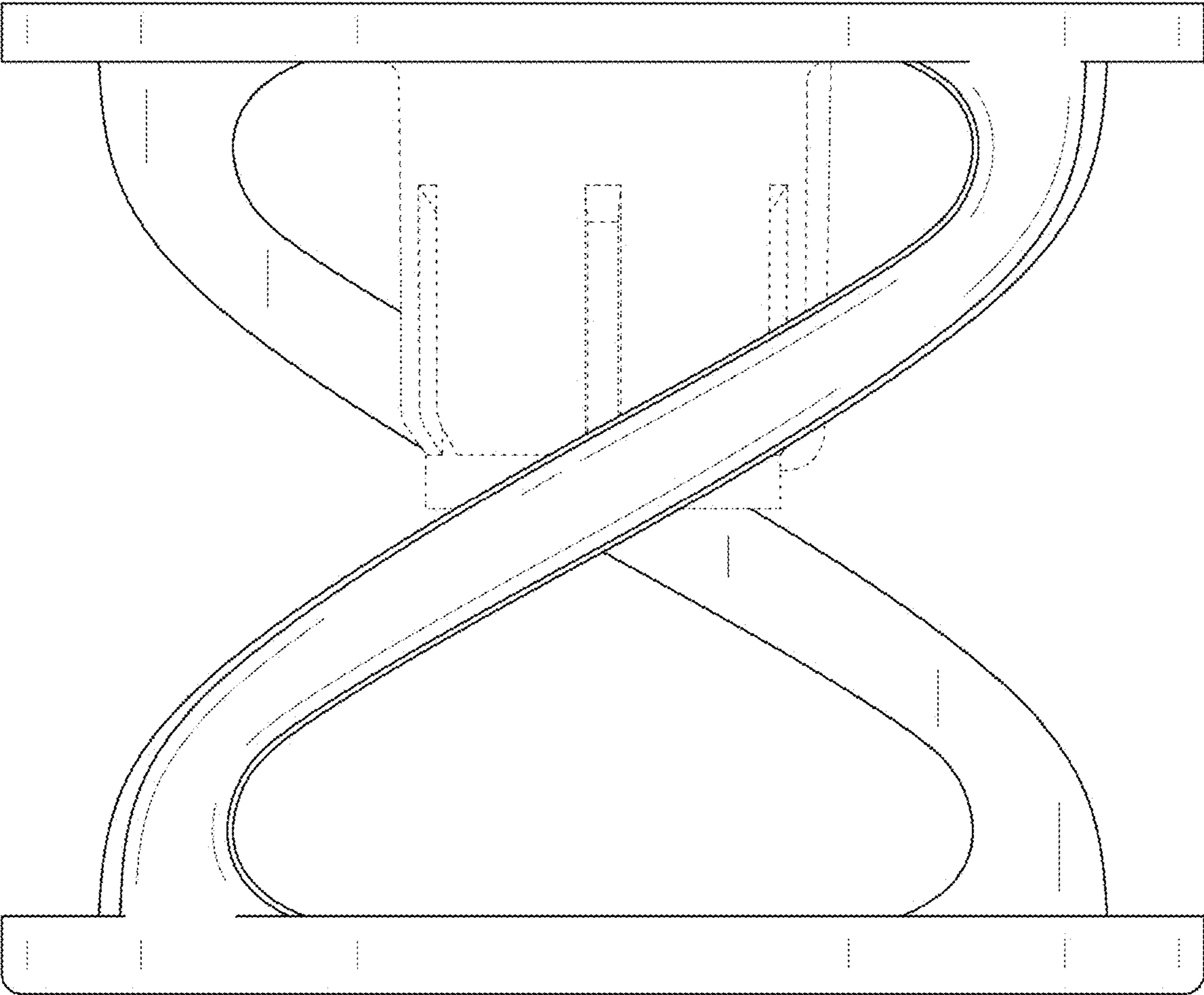


FIG. 3

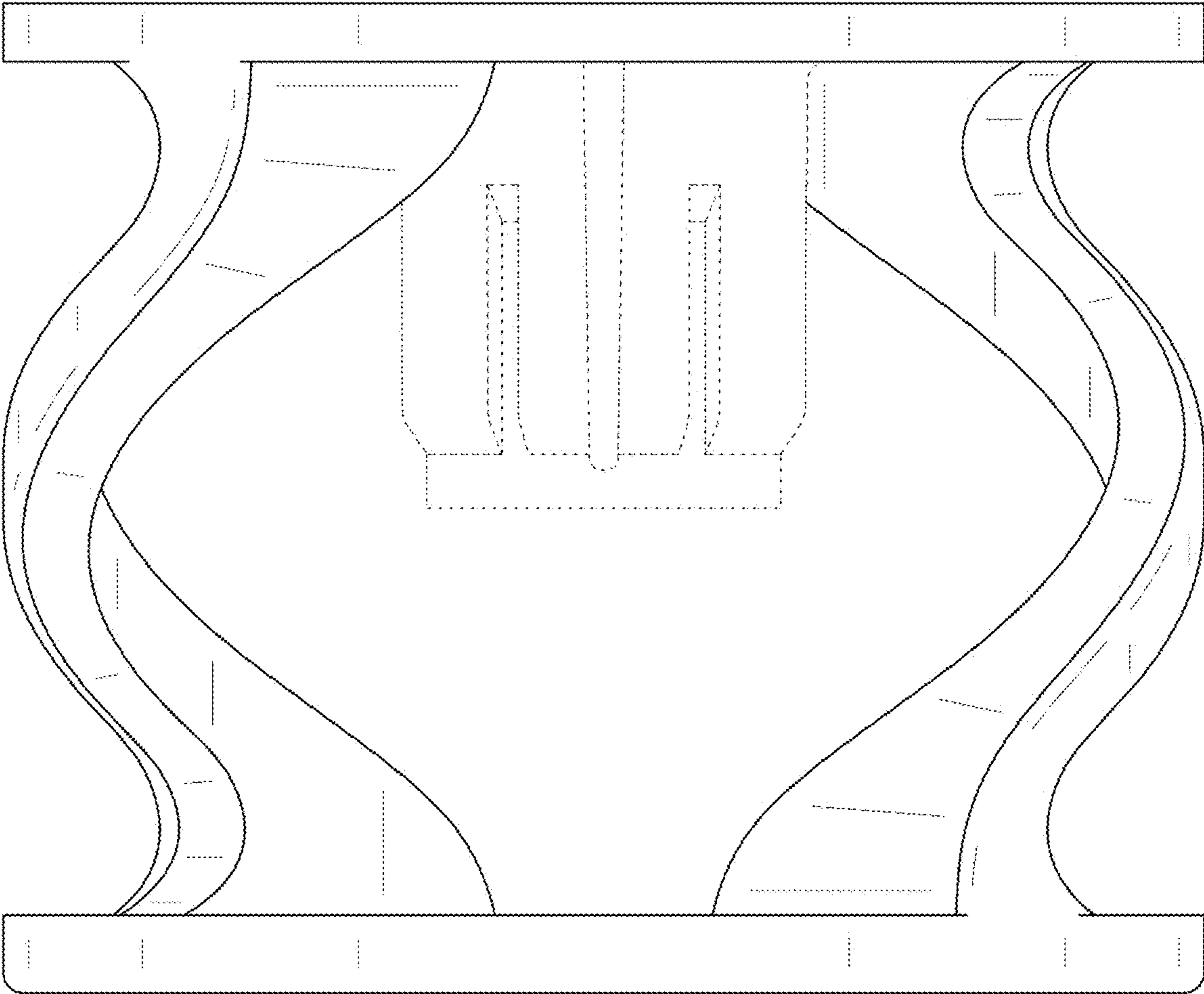


FIG. 4

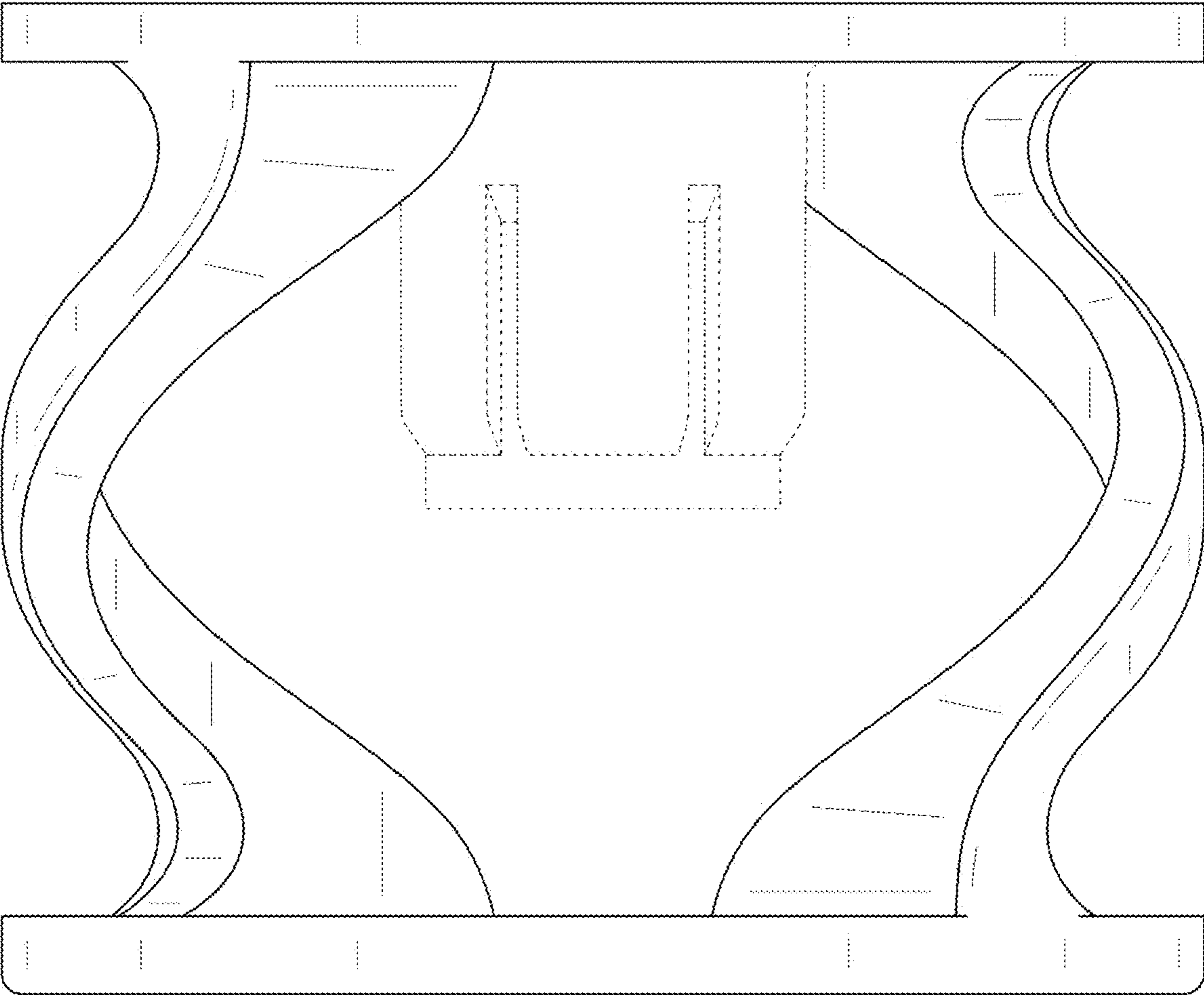


FIG. 5



FIG. 6

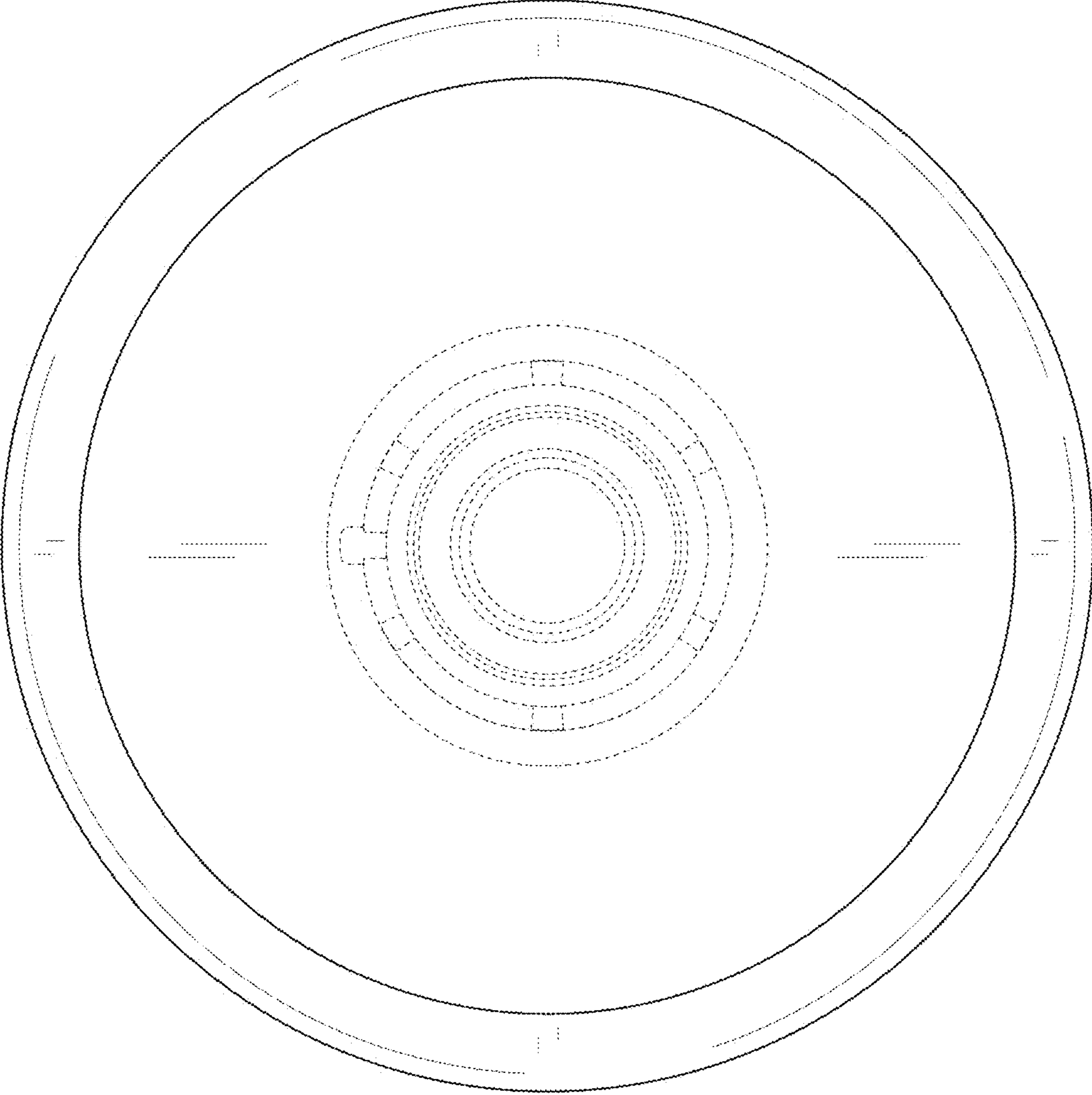


FIG. 7