



US00D937903S

(12) **United States Design Patent** (10) **Patent No.:** **US D937,903 S**
Vaidyanathan et al. (45) **Date of Patent:** **** Dec. 7, 2021**

- (54) **PRESSURE REGULATOR BLOCK**
- (71) Applicant: **Transportation IP Holdings, LLC**,
Norwalk, CT (US)
- (72) Inventors: **Krishnamurthy Vaidyanathan**,
Bangalore (IN); **Bharath Chandrashekar**, Bangalore (IN);
Ramprasad Shetti, Bangalore (IN);
Radhish Balan Sulochana, Bangalore (IN);
Mahantesh Hosur, Bangalore (IN)
- (73) Assignee: **TRANSPORTATION IP HOLDINGS, LLC**,
Norwalk, CT (US)
- (**) Term: **15 Years**
- (21) Appl. No.: **29/798,123**
- (22) Filed: **Jul. 6, 2021**

Related U.S. Application Data

- (62) Division of application No. 29/774,404, filed on Mar. 16, 2021, now Pat. No. Des. 927,556, which is a division of application No. 29/759,528, filed on Nov. 23, 2020, now Pat. No. Des. 919,666, which is a division of application No. 29/653,083, filed on Jun. 12, 2018, now Pat. No. Des. 906,371.
- (51) **LOC (13) Cl.** **15-01**
- (52) **U.S. Cl.**
USPC **D15/5; D23/235**
- (58) **Field of Classification Search**
USPC D15/5; D23/233, 237, 245, 259, 269,
D23/235; D10/121; D12/218
CPC ... B29C 44/1271; B29C 44/086; B60T 17/04;
F16H 61/30; F16H 61/0267
See application file for complete search history.

(56) **References Cited**

U.S. PATENT DOCUMENTS

D297,256 S *	8/1988	Schwarz	D23/233
5,709,247 A *	1/1998	Hutton	F15B 13/0814 137/597
D398,375 S *	9/1998	Lynch	D23/245
D406,320 S *	3/1999	Lynch	D23/245
D414,844 S *	10/1999	Lynch	D23/245
D427,664 S *	7/2000	Yano	D23/233
D433,481 S *	11/2000	Kaneko	D23/233
D440,632 S *	4/2001	Fukuda	D23/233
6,264,113 B1 *	7/2001	Dingier	B05B 7/0815 239/11
6,866,065 B2 *	3/2005	Camozzi	F15B 13/0402 137/625.69
D518,147 S *	3/2006	Fukushima	D23/233
D520,520 S *	5/2006	Nimberger	D15/5
D521,596 S *	5/2006	Nimberger	D15/5
D521,597 S *	5/2006	Nimberger	D23/233

(Continued)

Primary Examiner — Calvin E Vansant
Assistant Examiner — Mark T. Philipps
(74) *Attorney, Agent, or Firm* — McCoy Russell LLP

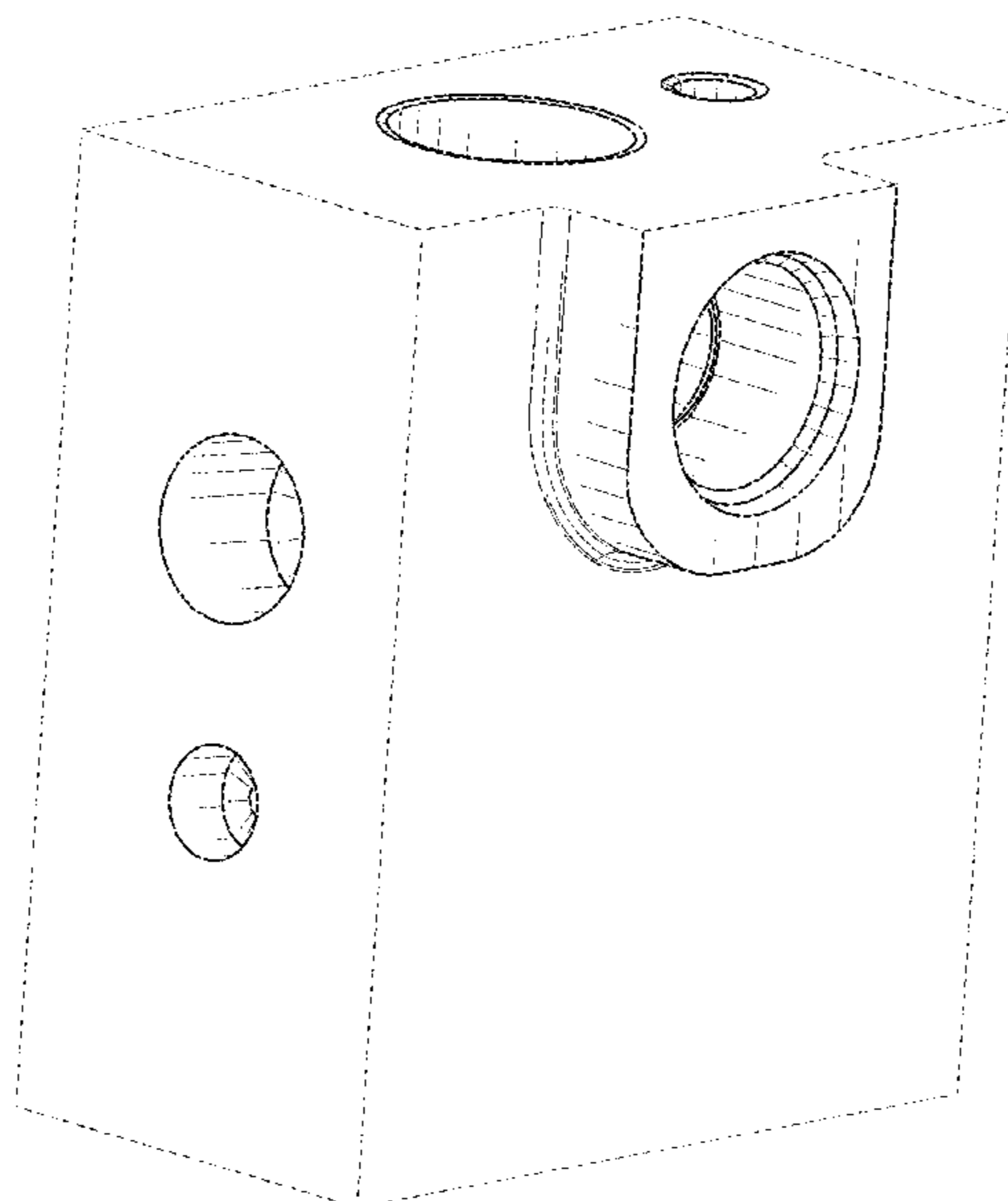
(57) **CLAIM**

The ornamental design for a pressure regulator block, as shown and described.

DESCRIPTION

FIG. 1 is a perspective view of a pressure regulator block according to an embodiment of the invention; FIG. 2 is a second perspective view thereof; FIG. 3 is a front view thereof; FIG. 4 is a rear view thereof; FIG. 5 is a left view thereof; FIG. 6 is a right view thereof; FIG. 7 is a top view thereof; and, FIG. 8 is a bottom view thereof. The broken line portion of the figures is included to show unclaimed subject matter only and forms no part of the claimed design.

1 Claim, 5 Drawing Sheets



(56)

References Cited

U.S. PATENT DOCUMENTS

D536,422	S	*	2/2007	Nimberger	D15/5
D544,499	S	*	6/2007	Nimberger	D15/5
D578,548	S	*	10/2008	Bohlen	D15/5
D578,549	S	*	10/2008	Nimberger	D15/5
D583,832	S	*	12/2008	Nimberger	D15/5
D584,319	S	*	1/2009	Nimberger	D15/5
D615,619	S	*	5/2010	Roys	D23/233
D619,219	S	*	7/2010	Waymire	D23/237
D731,620	S	*	6/2015	Galle	D23/233
D867,398	S	*	11/2019	Sato	D15/5
D868,218	S	*	11/2019	Sonerud	D23/259
2003/0145886	A1	*	8/2003	Paul	G05D 16/2026 137/98
2019/0322264	A1	*	10/2019	Weh	F15B 13/0814

* cited by examiner

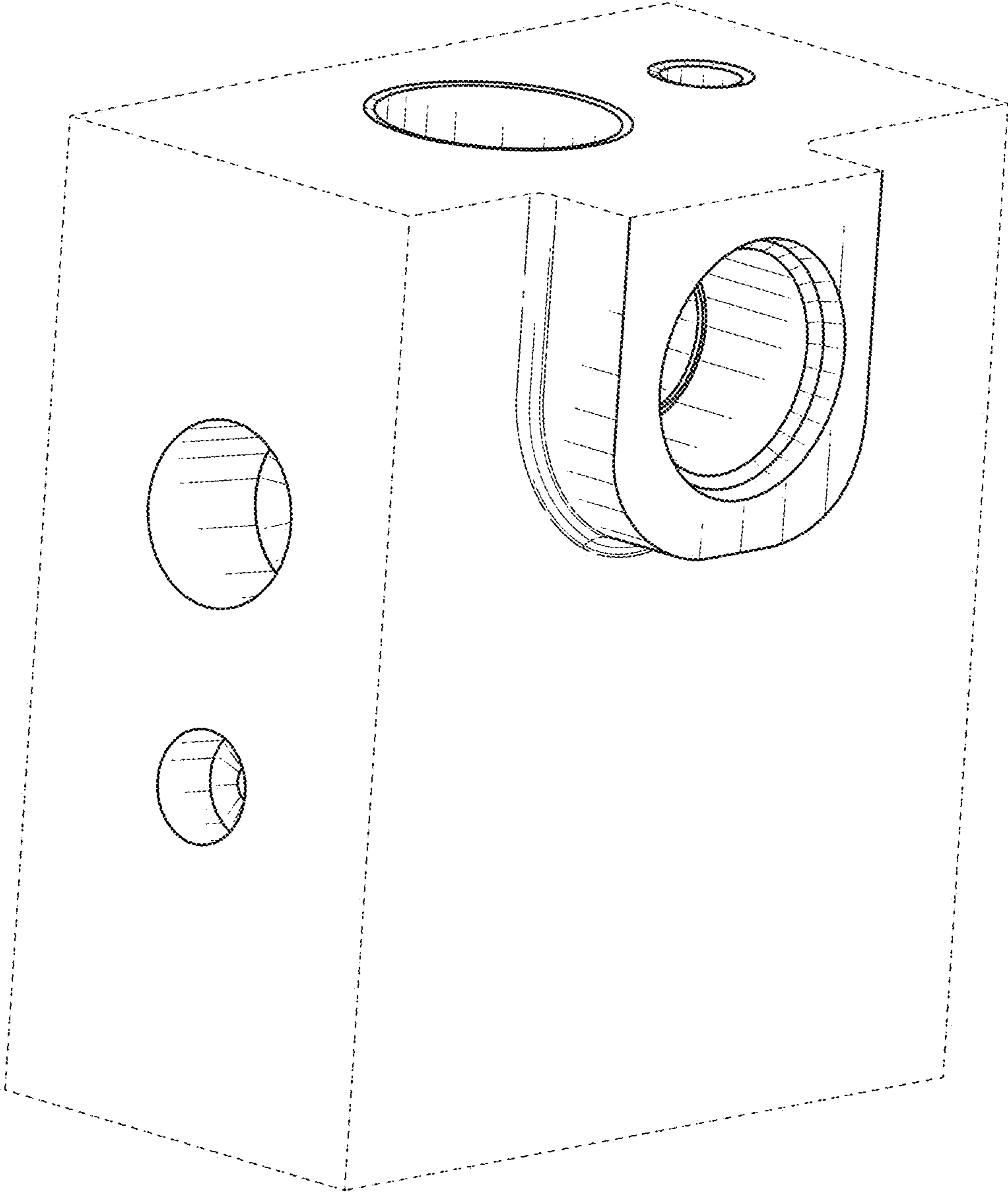


FIG. 1

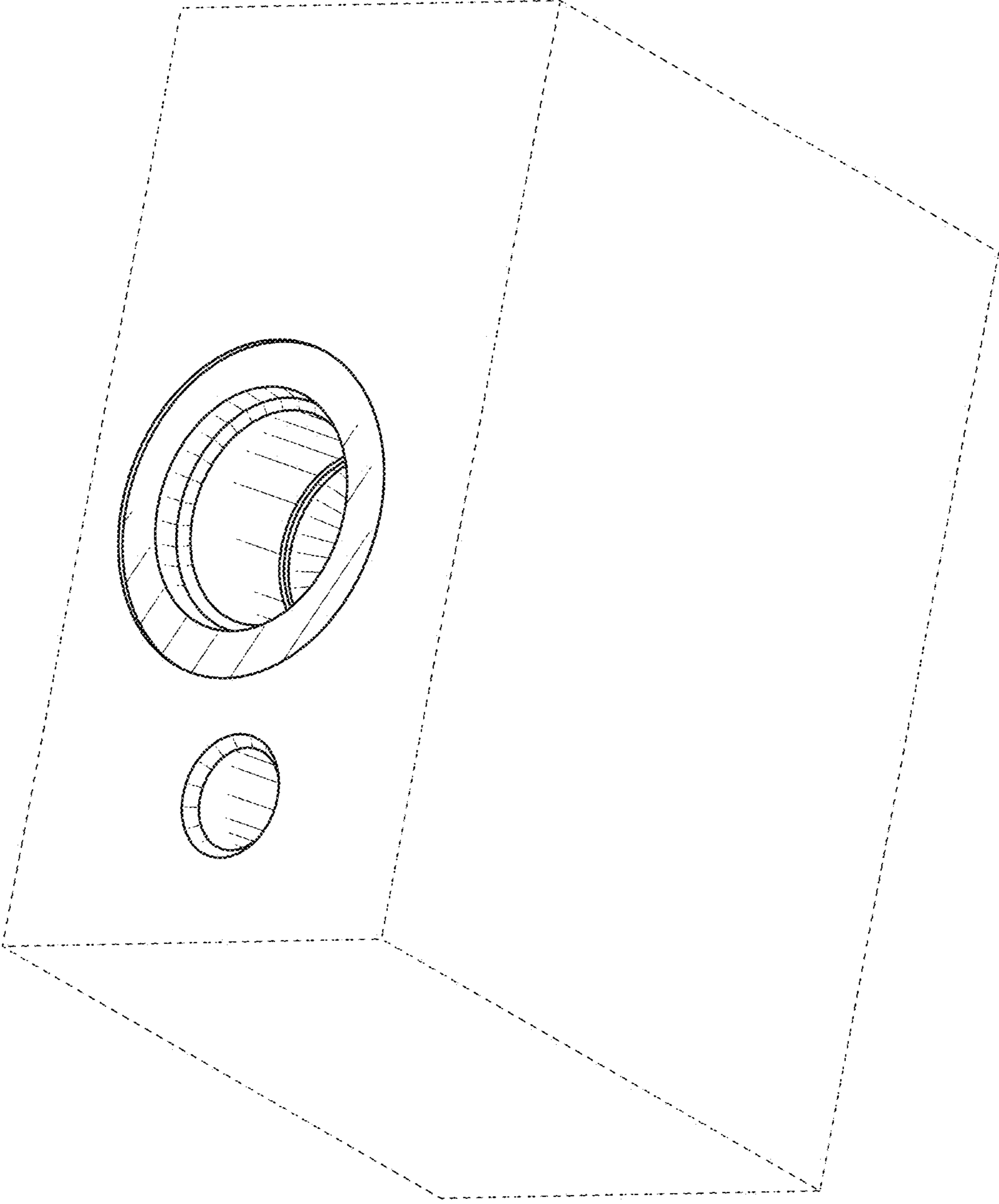


FIG. 2



FIG. 4

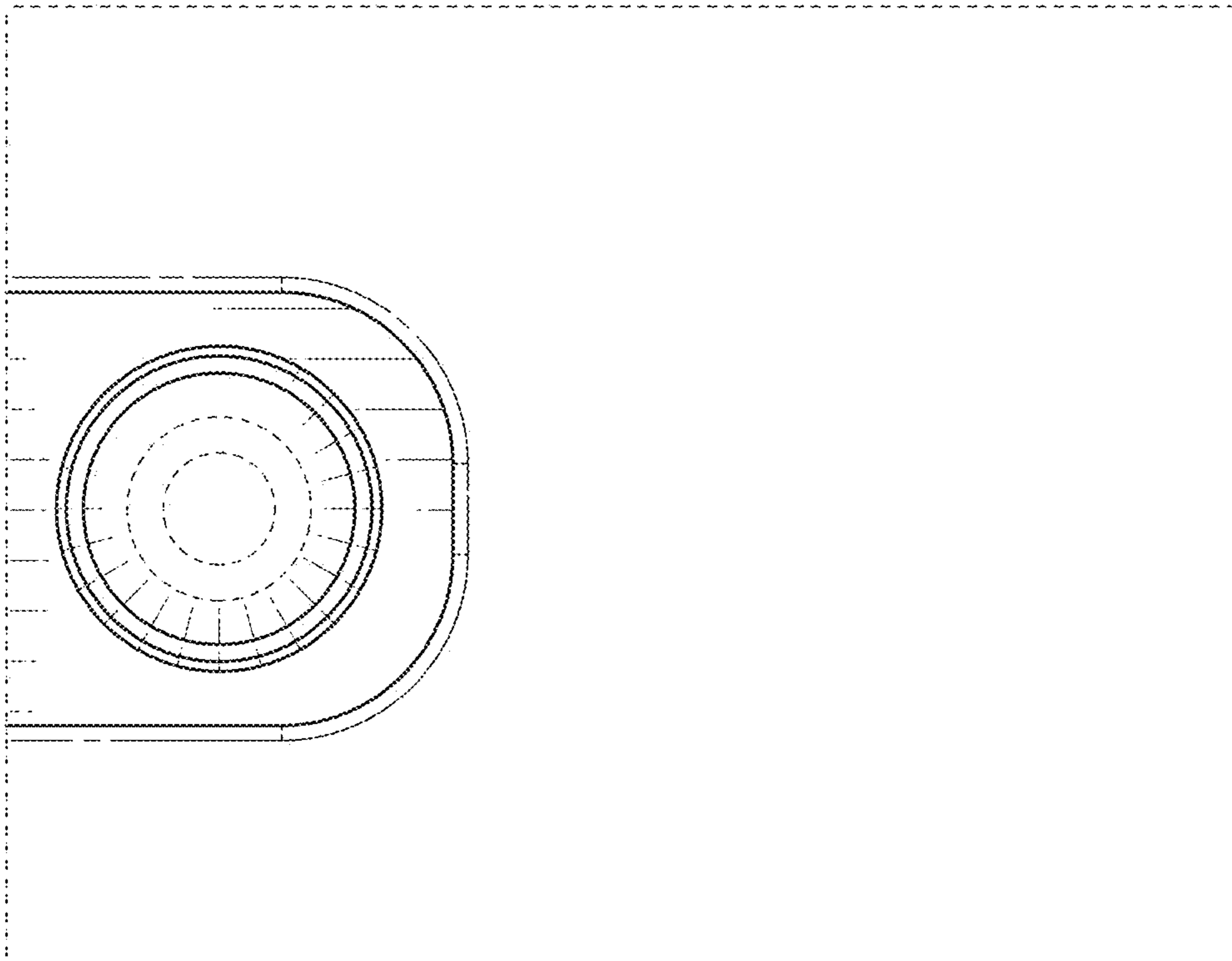


FIG. 3

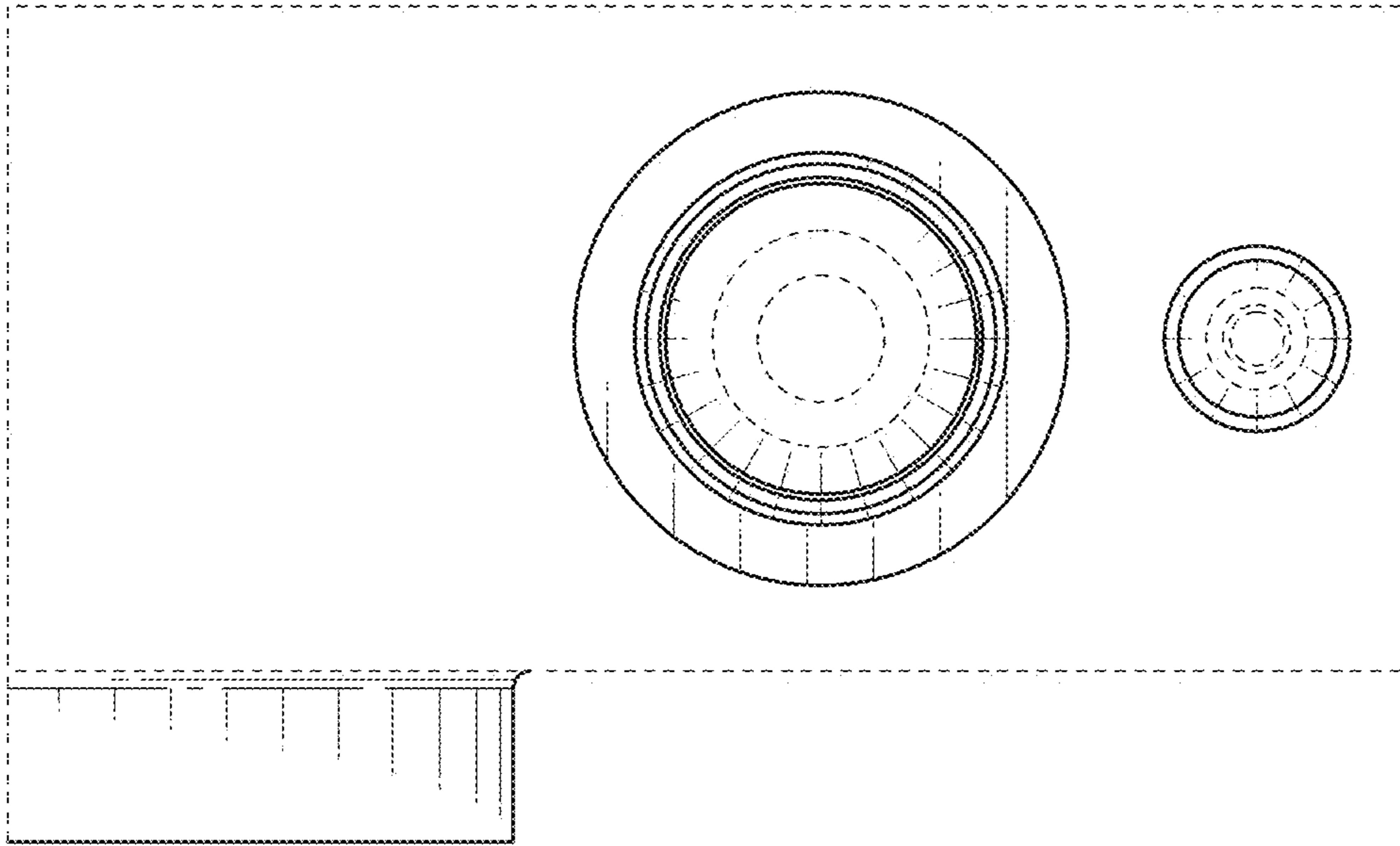


FIG. 5

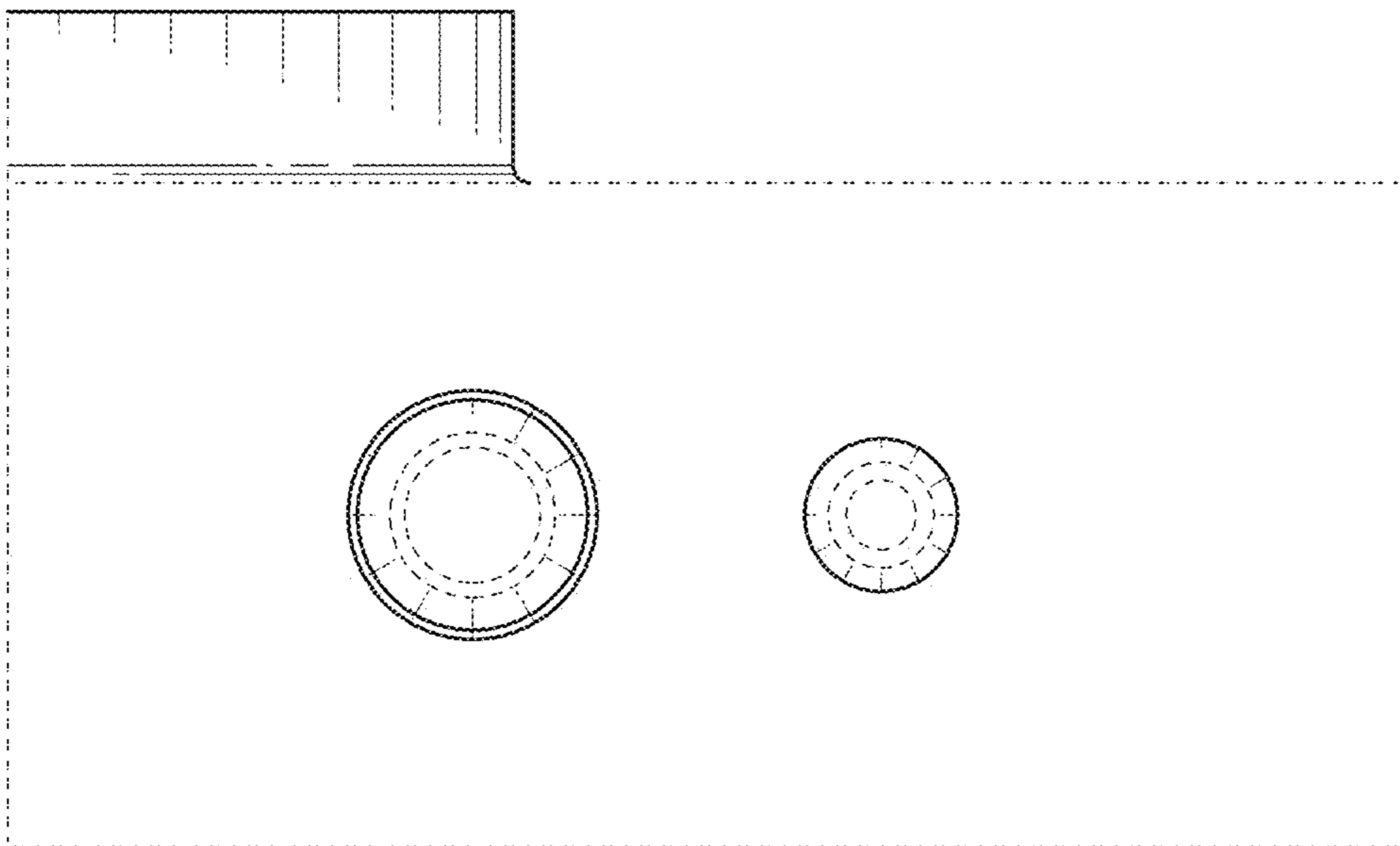


FIG. 6

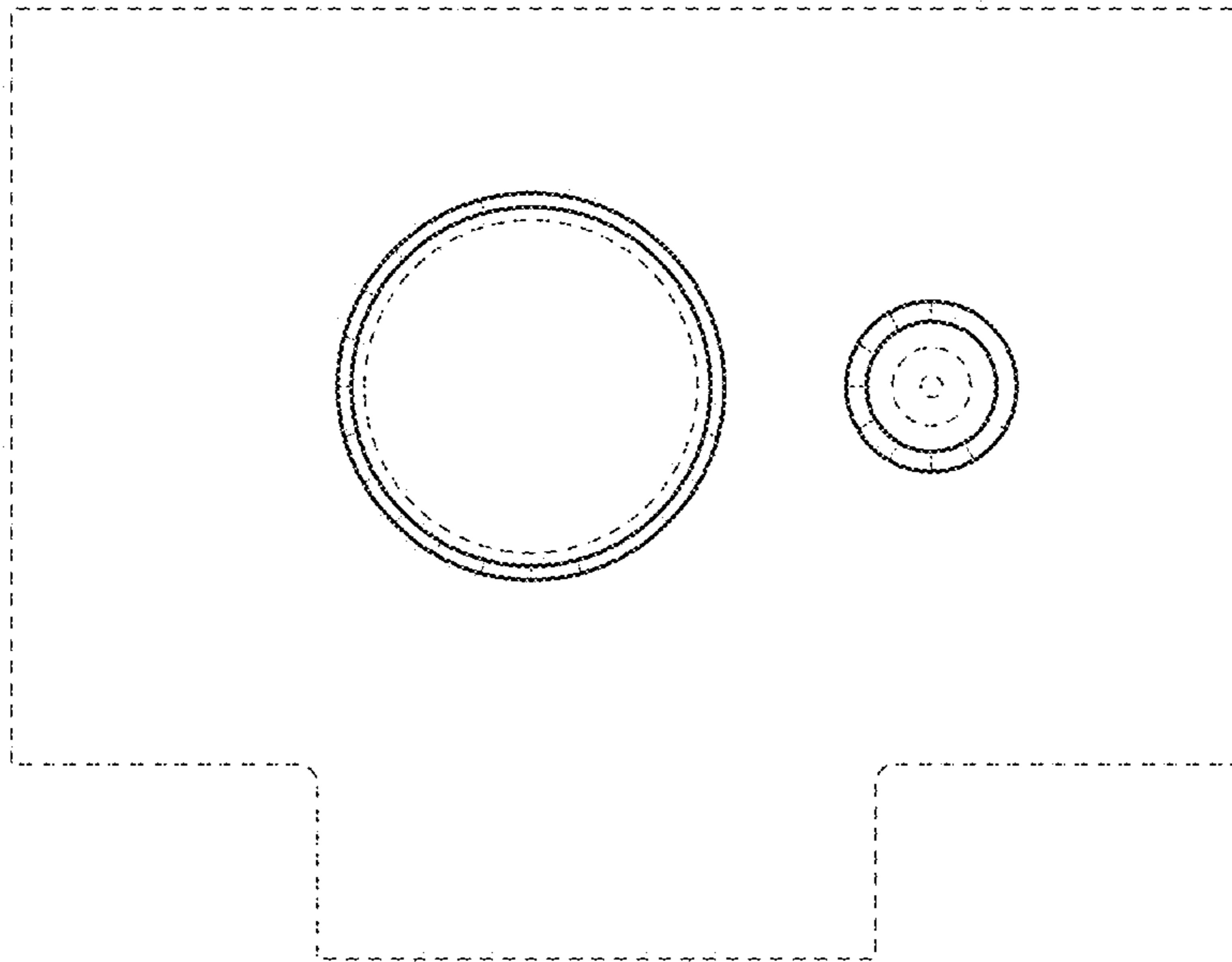


FIG. 7

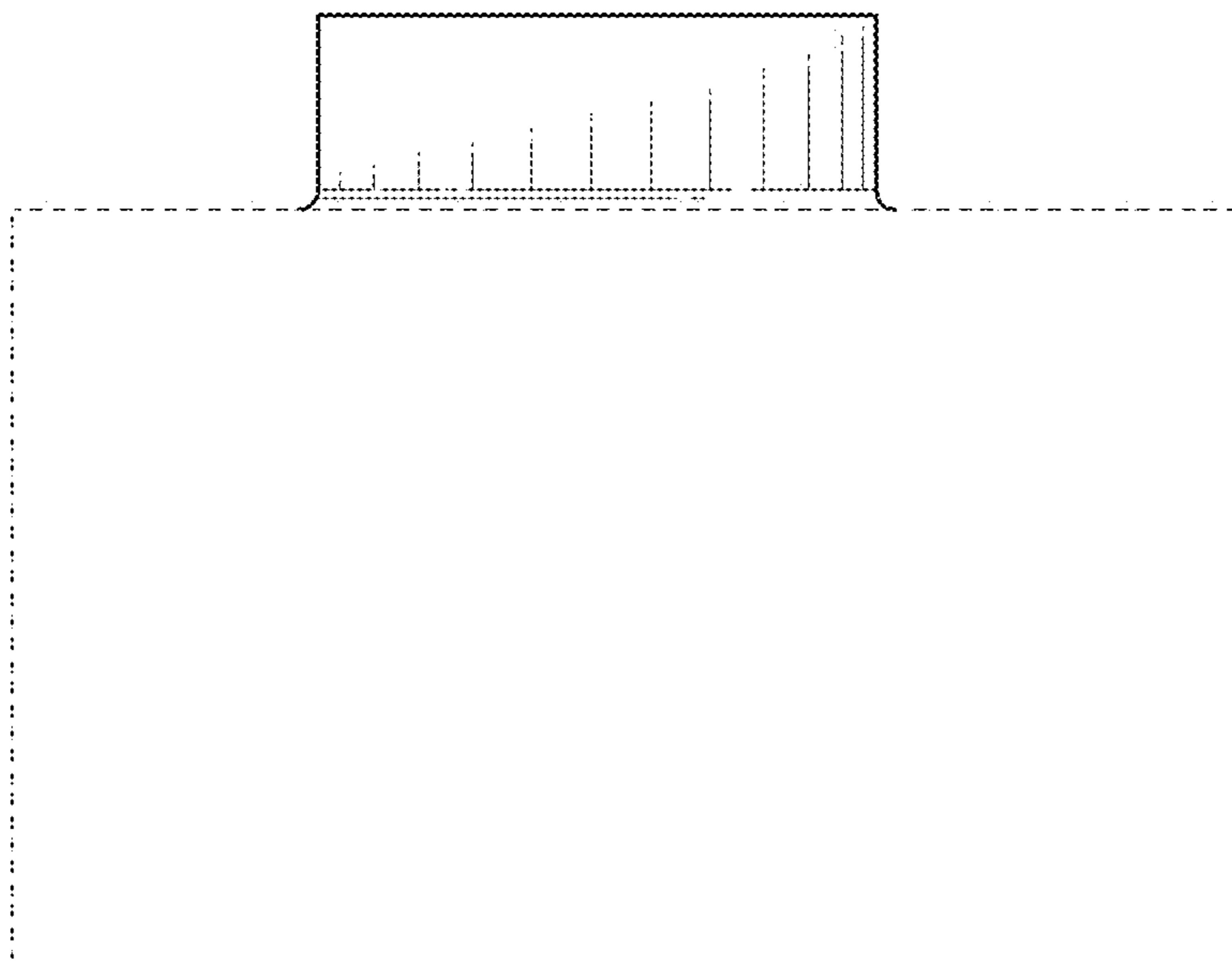


FIG. 8