



US00D937891S

(12) **United States Design Patent** (10) **Patent No.:** **US D937,891 S**
Pascoli et al. (45) **Date of Patent:** **** Dec. 7, 2021**

(54) **DISPLAY SCREEN OR PORTION THEREOF WITH TRANSITIONAL GRAPHICAL USER INTERFACE**

(71) Applicant: **Samsung Electronics Co., Ltd.**, Gyeonggi-do (KR)

(72) Inventors: **Giulio Americo Tolesano Pascoli**, Sunnyvale, CA (US); **Philip Park**, Mountain View, CA (US); **Nasson Jullian Schahin Boroumand**, Gold River, CA (US)

(73) Assignee: **SAMSUNG ELECTRONICS CO., LTD.**, Gyeonggi-Do (KR)

(**) Term: **15 Years**

(21) Appl. No.: **29/740,207**

(22) Filed: **Jul. 1, 2020**

Related U.S. Application Data

(62) Division of application No. 29/642,984, filed on Apr. 3, 2018, now Pat. No. Des. 892,162.

(51) **LOC (13) Cl.** **14-04**

(52) **U.S. Cl.**
USPC **D14/489**

(58) **Field of Classification Search**
USPC D14/485-495; D20/11; D21/324, 325
(Continued)

(56) **References Cited**

U.S. PATENT DOCUMENTS

5,910,268 A 6/1999 Kefer
6,690,991 B1 2/2004 Kobayashi
(Continued)

FOREIGN PATENT DOCUMENTS

DE 4020142000700008 2/2014
DE 4020142008170001 4/2014
EM 0024488860003 4/2014

OTHER PUBLICATIONS

“Indicator loading icon” Nov. 26, 2017, posted at gifer.com, [site visited Jul. 23, 2021]. <https://gifer.com/en/90OK> (Year: 2017).*

(Continued)

Primary Examiner — John M Otte

(74) *Attorney, Agent, or Firm* — Cantor Colburn LLP

(57) **CLAIM**

The ornamental design for a display screen or portion thereof with transitional graphical user interface, as shown and described.

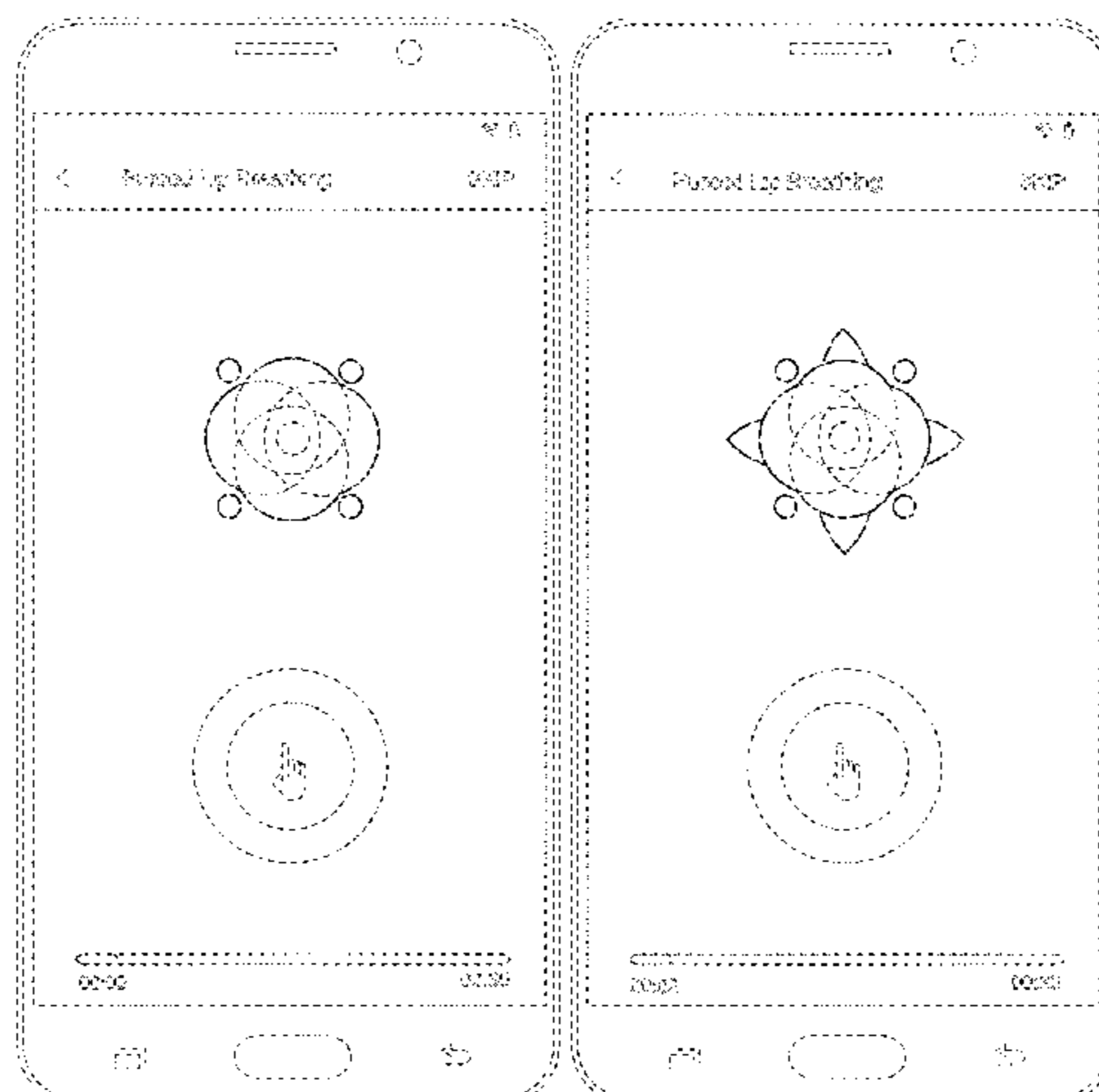
DESCRIPTION

FIG. 1 is a first image in a sequence for a display screen or portion thereof with transitional graphical user interface, showing our design in a first embodiment;
FIG. 2 is a second image in a sequence thereof;
FIG. 3 is a third image in a sequence thereof;
FIG. 4 is a fourth image in a sequence thereof;
FIG. 5 is a fifth image in a sequence thereof;
FIG. 6 is a sixth image in a sequence thereof;
FIG. 7 is a seventh image in a sequence thereof;
FIG. 8 is a first image in a sequence for a display screen or portion thereof with transitional graphical user interface, showing our design in a second embodiment;
FIG. 9 is a second image in a sequence thereof;
FIG. 10 is a third image in a sequence thereof;
FIG. 11 is a fourth image in a sequence thereof;
FIG. 12 is a fifth image in a sequence thereof;
FIG. 13 is a first image in a sequence for a display screen or portion thereof with transitional graphical user interface, showing our design in a third embodiment;
FIG. 14 is a second image in a sequence thereof; and,
FIG. 15 is a third image in a sequence thereof.

The broken lines showing the display screen or portion thereof and portions of the graphical user interface form no part of the claimed design.

The appearance of the transitional image sequentially transitions between the images shown in FIGS. 1-7, 8-12 and

(Continued)



13-15. The process or period in which one image transitions to another image forms no part of the claimed design.

1 Claim, 15 Drawing Sheets

(58) **Field of Classification Search**

CPC G06F 3/048; G06F 3/0481; G06F 3/04817; G06F 3/0482; G06F 3/0483; G06F 3/04842; G06F 3/0485; G06F 3/04855; G06F 3/0486; G06F 3/0488; G06F 3/04886; G06F 9/4443; G06F 17/211; G06F 17/212

See application file for complete search history.

(56) **References Cited**

U.S. PATENT DOCUMENTS

7,408,554	B2 *	8/2008	Lawson, Jr.	G06Q 10/10 345/442
D589,053	S	3/2009	Steele et al.	
D607,010	S	12/2009	Kocmick	
D613,301	S	4/2010	Lee et al.	
D636,406	S	4/2011	Mays et al.	
D665,790	S	8/2012	Li	
D670,687	S	11/2012	Li	
D706,812	S	6/2014	Peterson et al.	
D708,193	S *	7/2014	Agnew	D14/485
D712,916	S	9/2014	Lee et al.	
D713,414	S	9/2014	Lee et al.	
D732,566	S *	6/2015	Mitchell	D14/487
D741,892	S	10/2015	Ahn et al.	
D746,857	S	1/2016	Rayit et al.	
D755,245	S	5/2016	Kim et al.	
D755,798	S *	5/2016	Zheng	D14/485
D759,111	S *	6/2016	Woo	D14/489
D760,777	S	7/2016	Lee et al.	
D760,778	S *	7/2016	Lee	D14/489
D762,673	S	8/2016	Seo et al.	
D762,691	S *	8/2016	Dye	D14/486
D762,719	S	8/2016	Lee et al.	
D763,871	S	8/2016	Yang et al.	
D767,629	S	9/2016	Gupta et al.	
D774,084	S	12/2016	Lee et al.	
D775,633	S	1/2017	Wu	
D778,923	S	2/2017	Zhou et al.	
D783,635	S	4/2017	Yang	

D788,807	S	6/2017	Broughton et al.	
D790,588	S	6/2017	Bebbington et al.	
D807,913	S *	1/2018	Lee	D14/488
D823,317	S	7/2018	Li et al.	
D831,067	S	10/2018	Ekstrand et al.	
D840,413	S *	2/2019	Leach	D14/485
D847,156	S	4/2019	Bae	
D847,844	S	5/2019	Li et al.	
D850,470	S	6/2019	Dye et al.	
D852,209	S	6/2019	Wei	
D855,649	S	8/2019	Akagawa et al.	
D857,726	S	8/2019	Van Gerbig	
D857,742	S	8/2019	Van Gerbig	
D860,221	S	9/2019	Jeon et al.	
D872,764	S *	1/2020	Pazmino	D14/488
D874,500	S	2/2020	Krenkler et al.	
D896,262	S *	9/2020	Broughton	D14/486
D915,430	S *	4/2021	Bebbington	D14/486
2008/0040665	A1	2/2008	Waldeck	
2012/0249455	A1	10/2012	Nagata et al.	
2013/0218688	A1	8/2013	Roos	
2016/0085422	A1	3/2016	Lee et al.	
2017/0354795	A1 *	12/2017	Blahnik	A61M 21/02
2018/0024808	A1	1/2018	Wilberding et al.	

OTHER PUBLICATIONS

“Circular Overlap—2” Jun. 30, 2014, posted at nuclearpixel.com, [site visited Jul. 23, 2021]. <http://nuclearpixel.com/motion/circular-overlap-2> (Year: 2014).*

“Fotsam & Jetsam” Feb. 17, 2018, posted at flotsam.sellingwaves.com, [site visited Mar. 20, 2020]. <https://web.archive.org/web/20180217084031/http://flotsam.sellingwaves.com/page/3> (Year: 2018).

“Popcorn Animation” Jul. 4, 2016, posted at dribbble.com, [site visited Oct. 30, 2019]. <https://dribbble.com/shots/2816847-Popcorn-Animation>.

Jones, Jeremy, “Incoming Call iPhone” Feb. 16, 2016, posted at dribbble.com, [site visited Oct. 30, 2019]. <https://dribbble.com/shots/2530288-Incoming-Call-iPhone>.

Tudor, Ana, “Simplifying the Apple Watch Breathe App Animation With CSS Variables” Jan. 15, 2018, posted at css-tricks.com, [site visited Oct. 30, 2019]. <https://web.archive.org/web/20180118012805/https://css-tricks.com/simplifying-apple-watch-breathe-app-animation-css-variables>.

U.S. Appl. No. 29/642,984, filed Apr. 3, 2018; Non-Final Office Action dated Nov. 4, 2019; 14 pages.

U.S. Appl. No. 29/642,984, filed Apr. 3, 2018; Notice of Allowance dated Apr. 3, 2020; 9 pages.

* cited by examiner

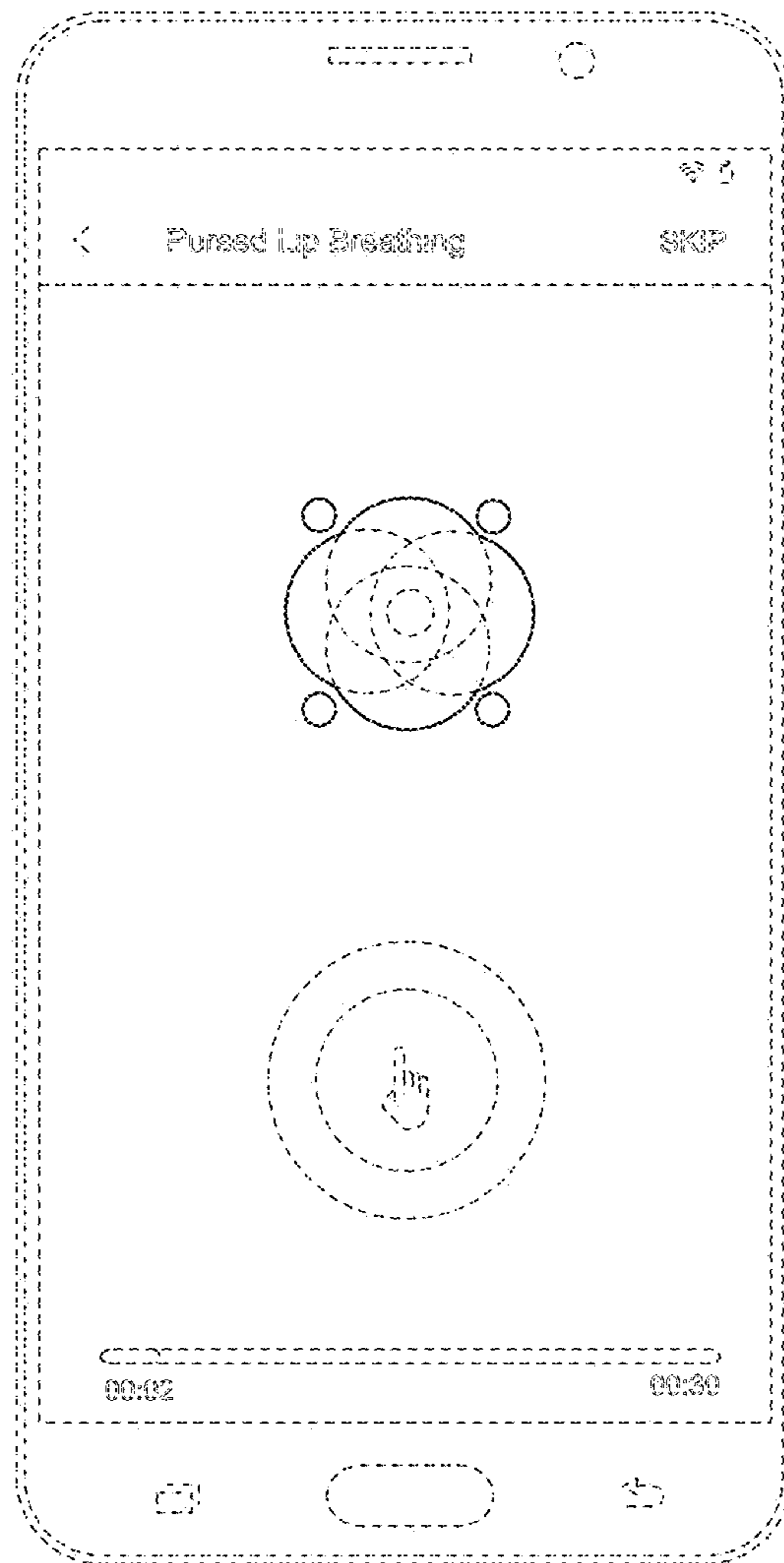


FIG. 1

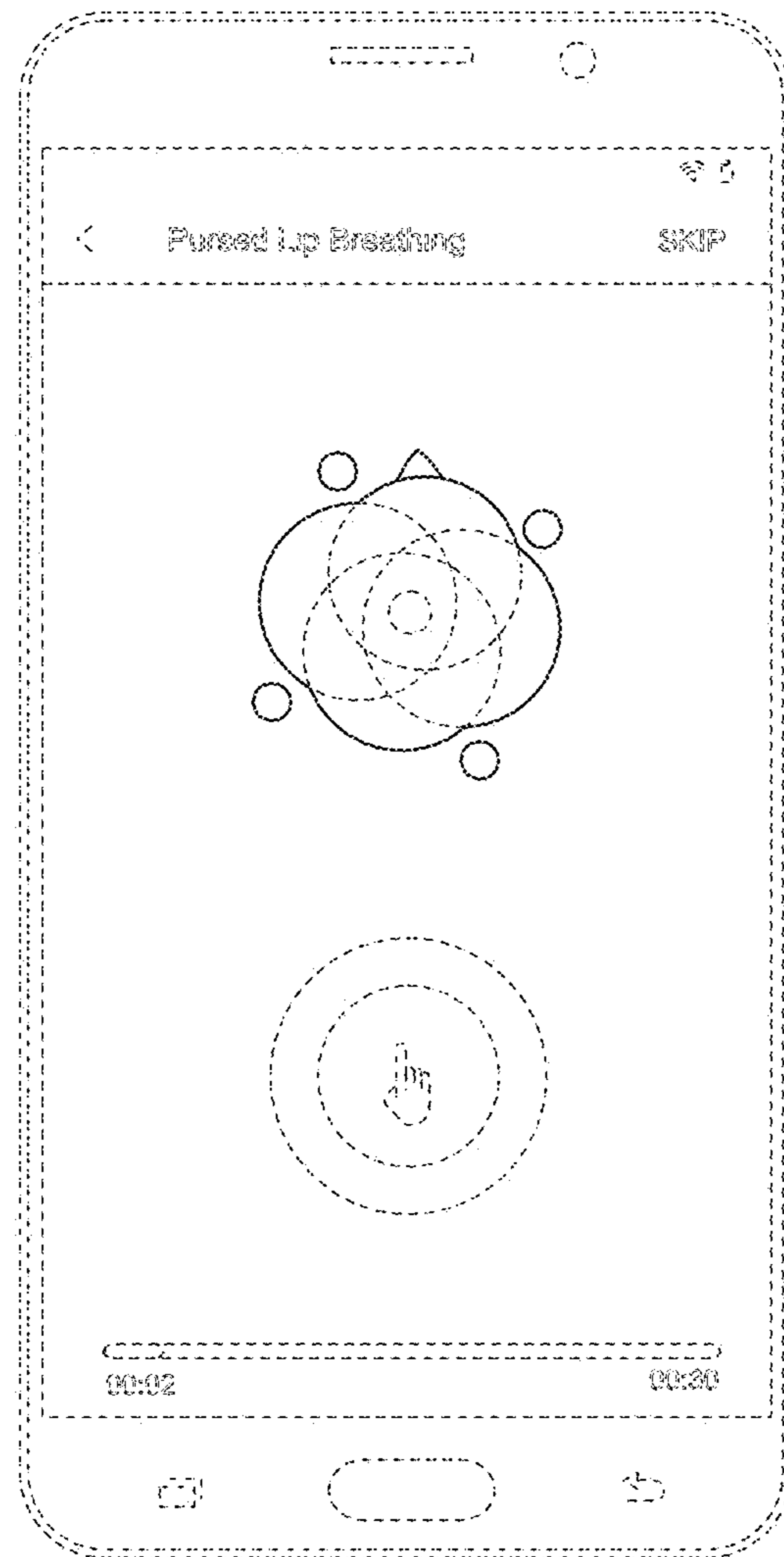


FIG. 2

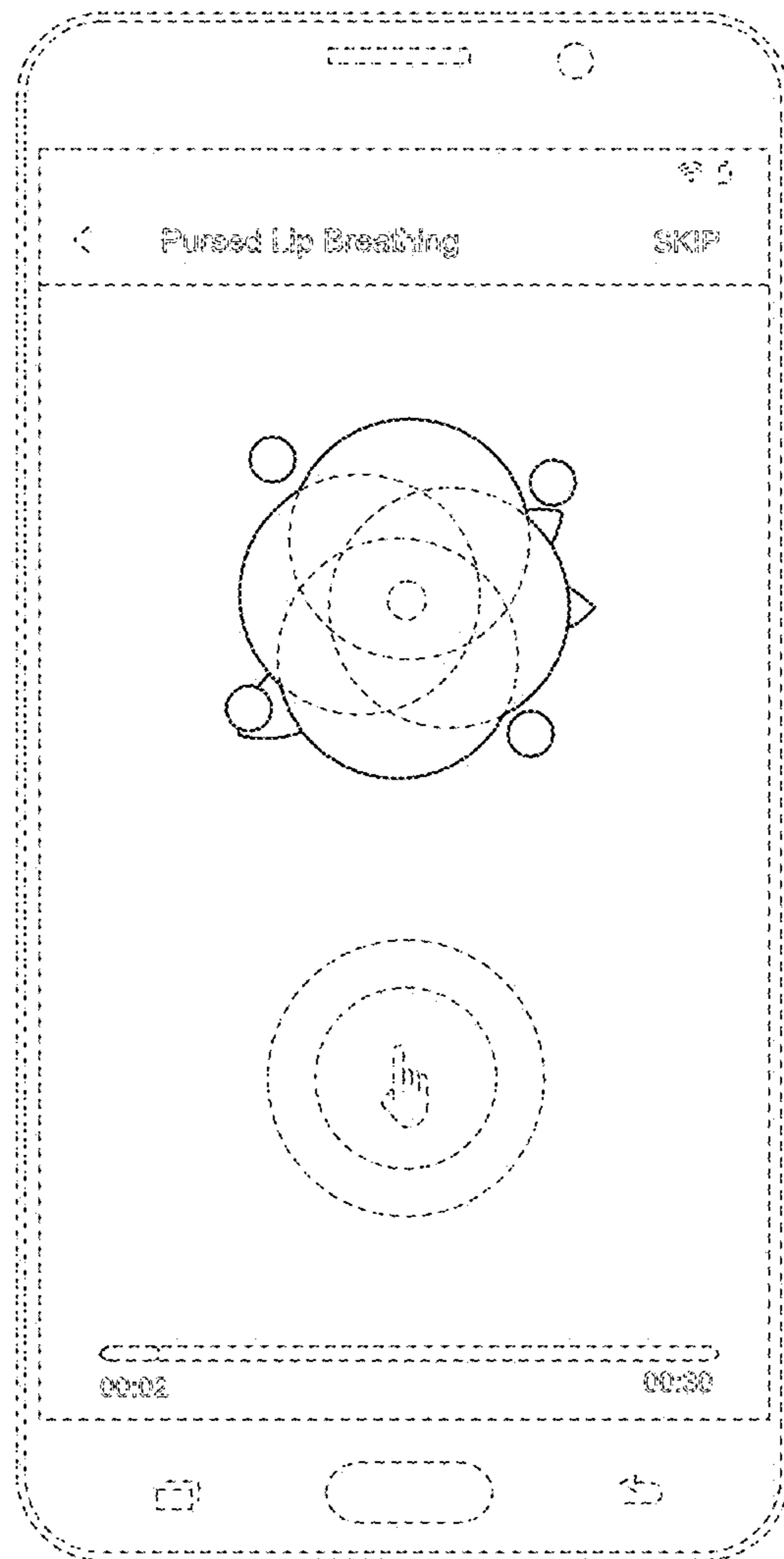


FIG. 3

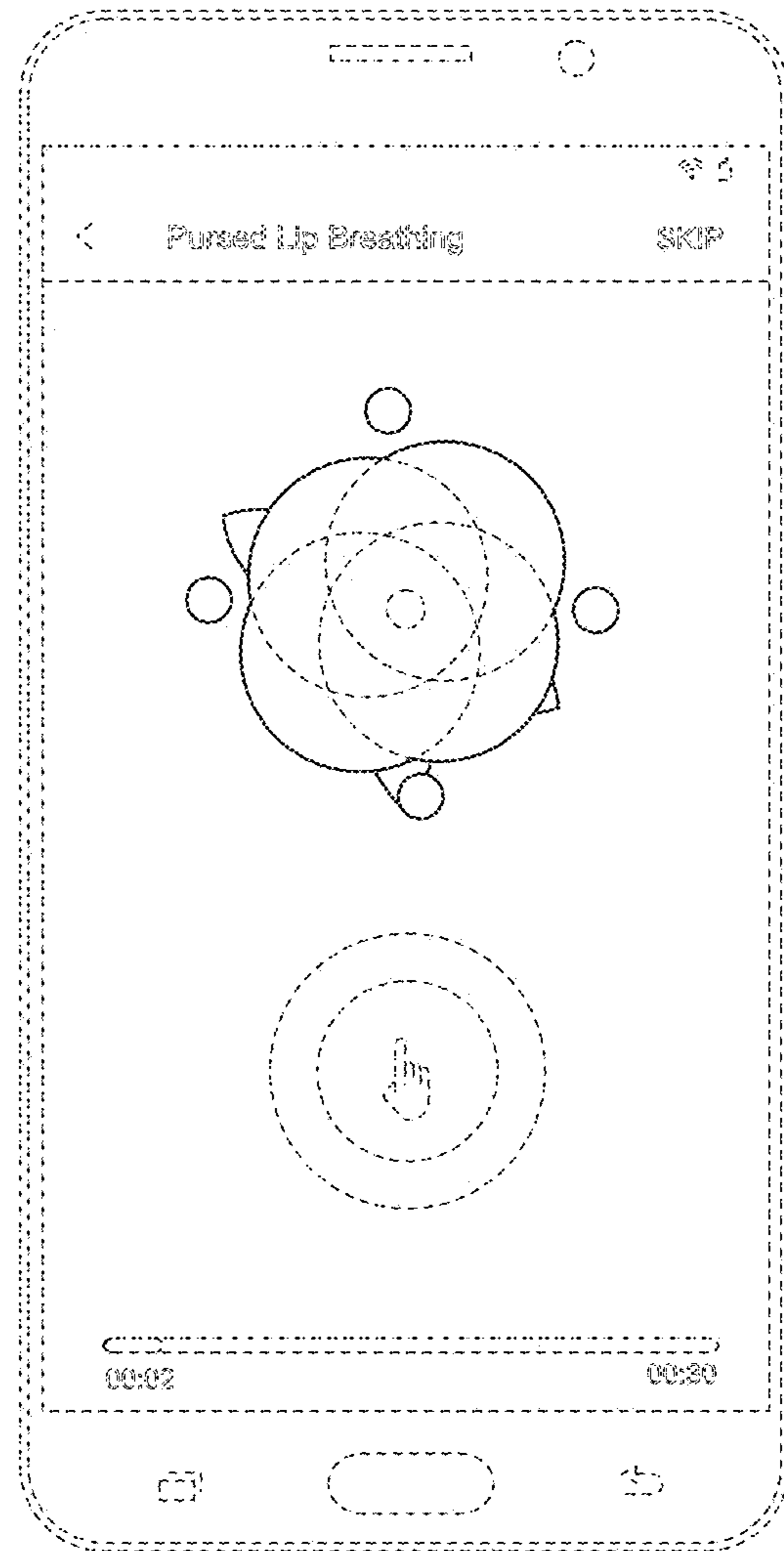


FIG. 4

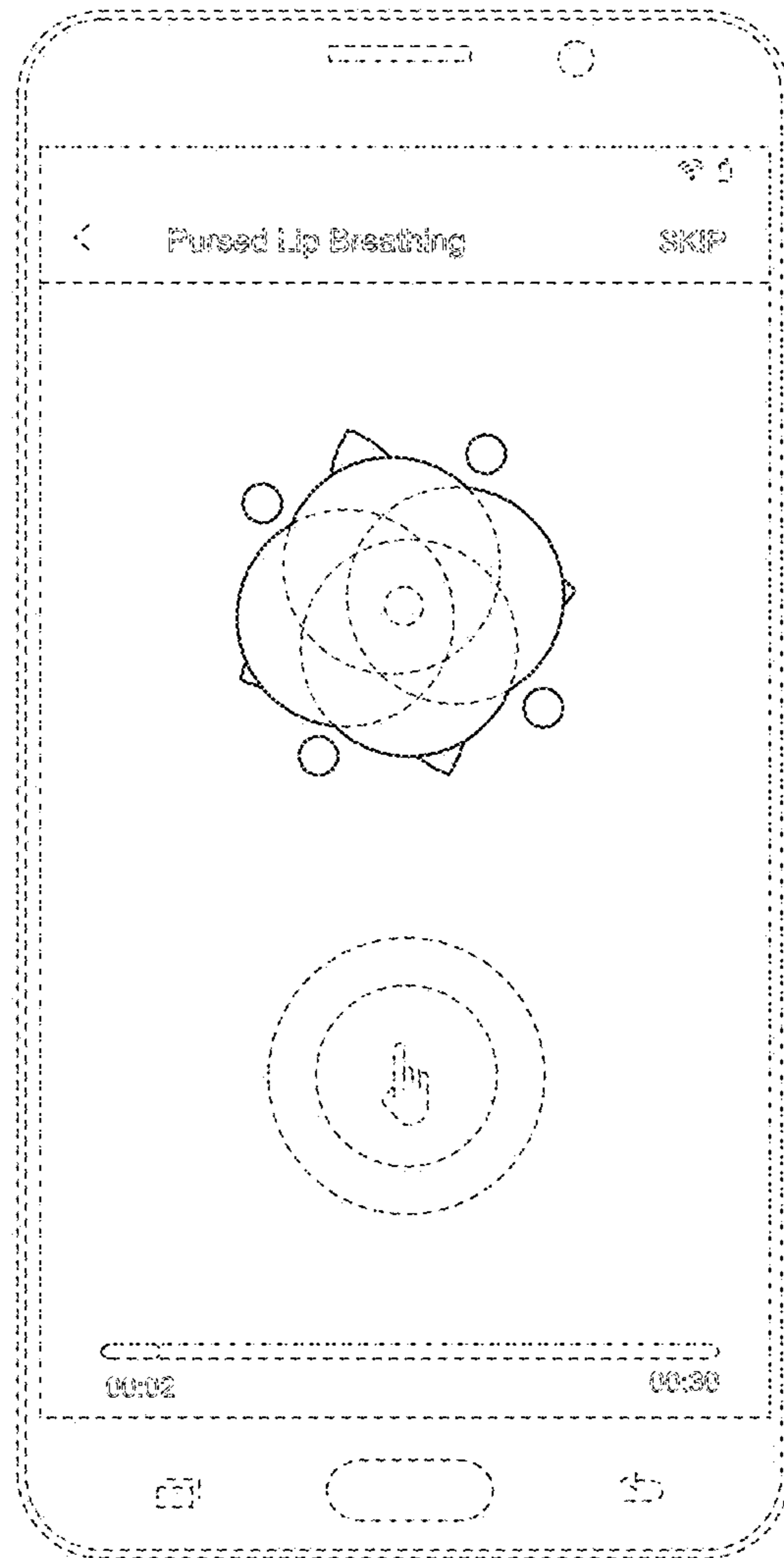


FIG. 5

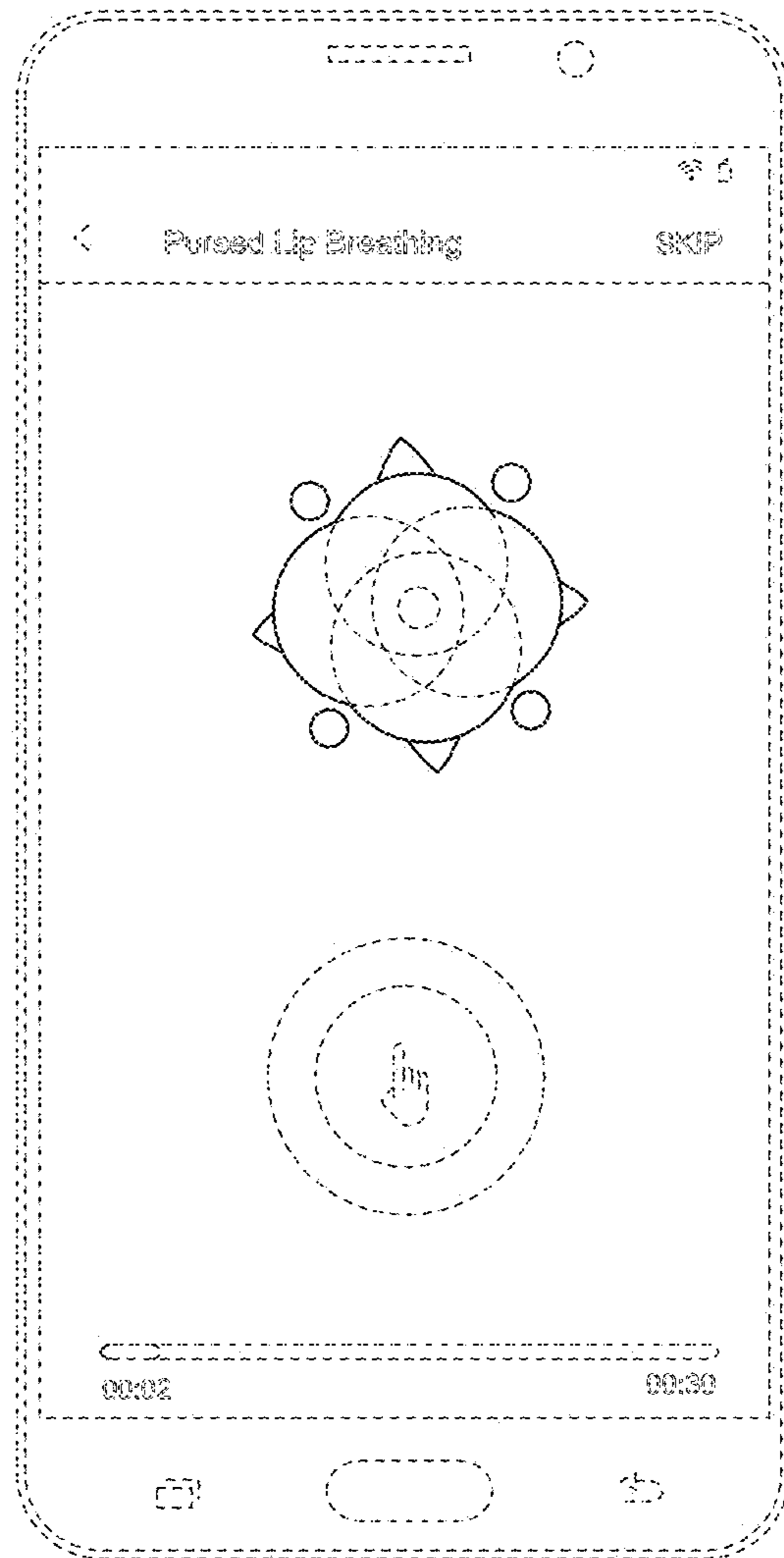


FIG. 6

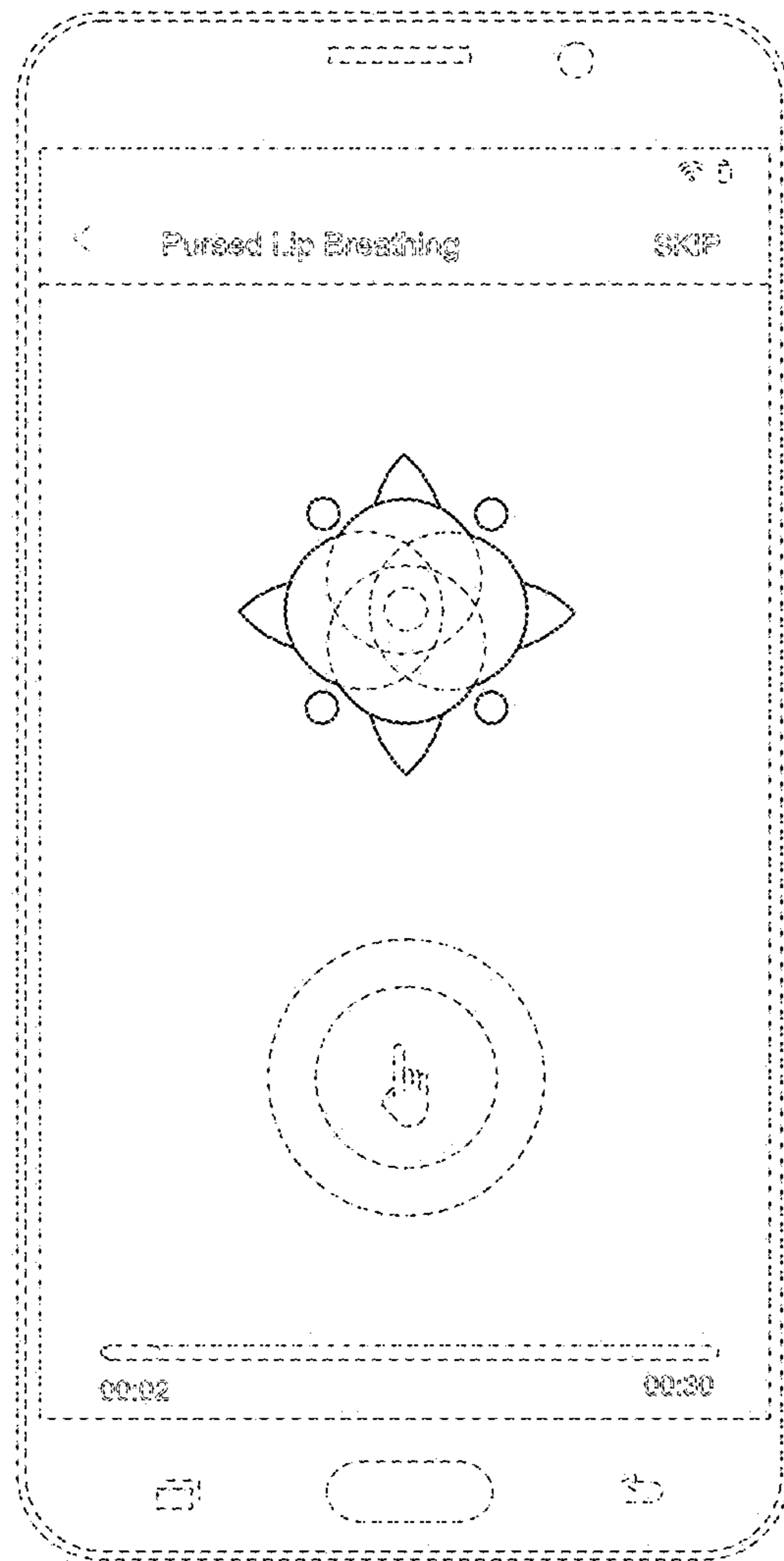


FIG. 7

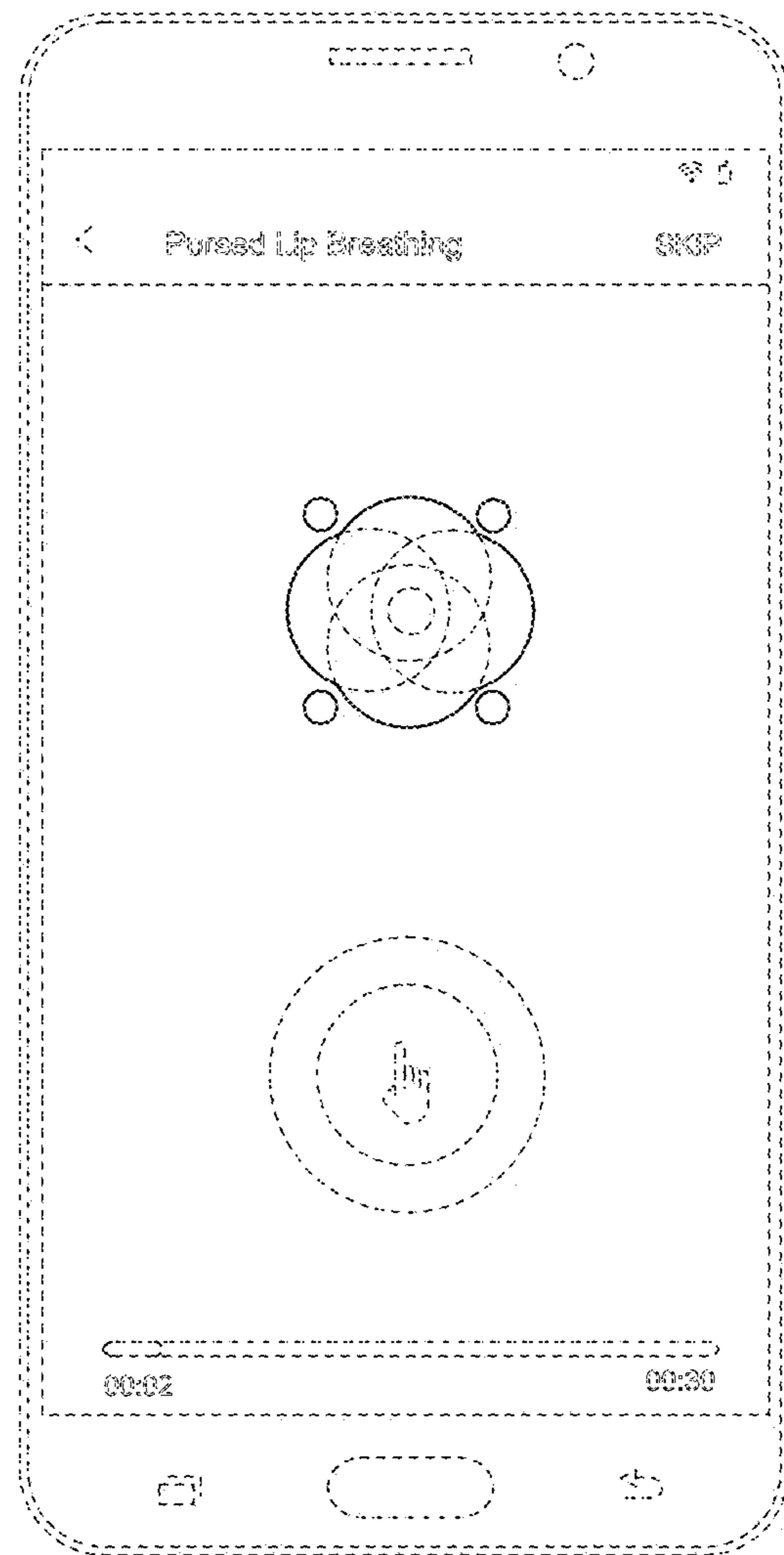


FIG. 8

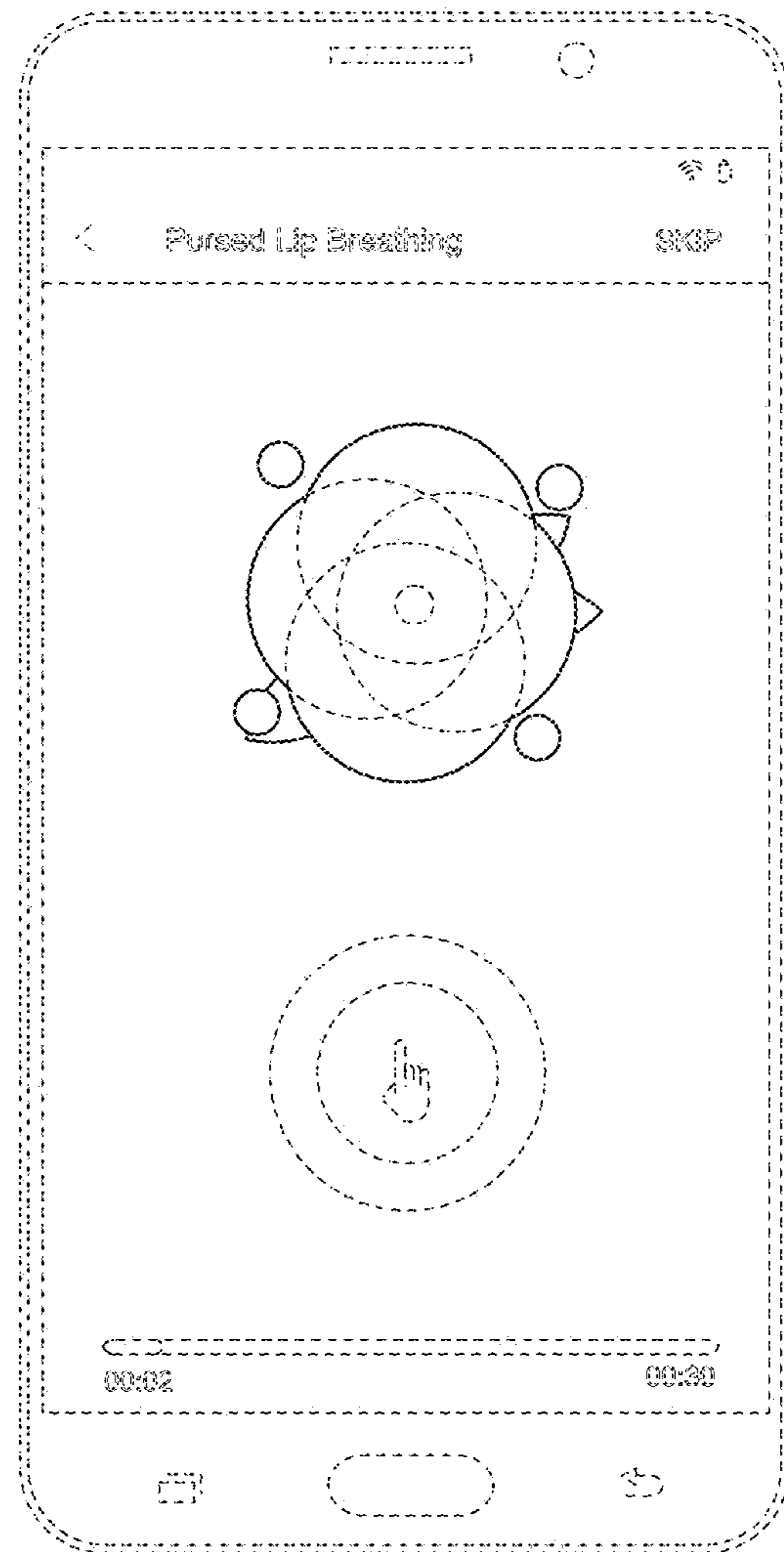


FIG. 9

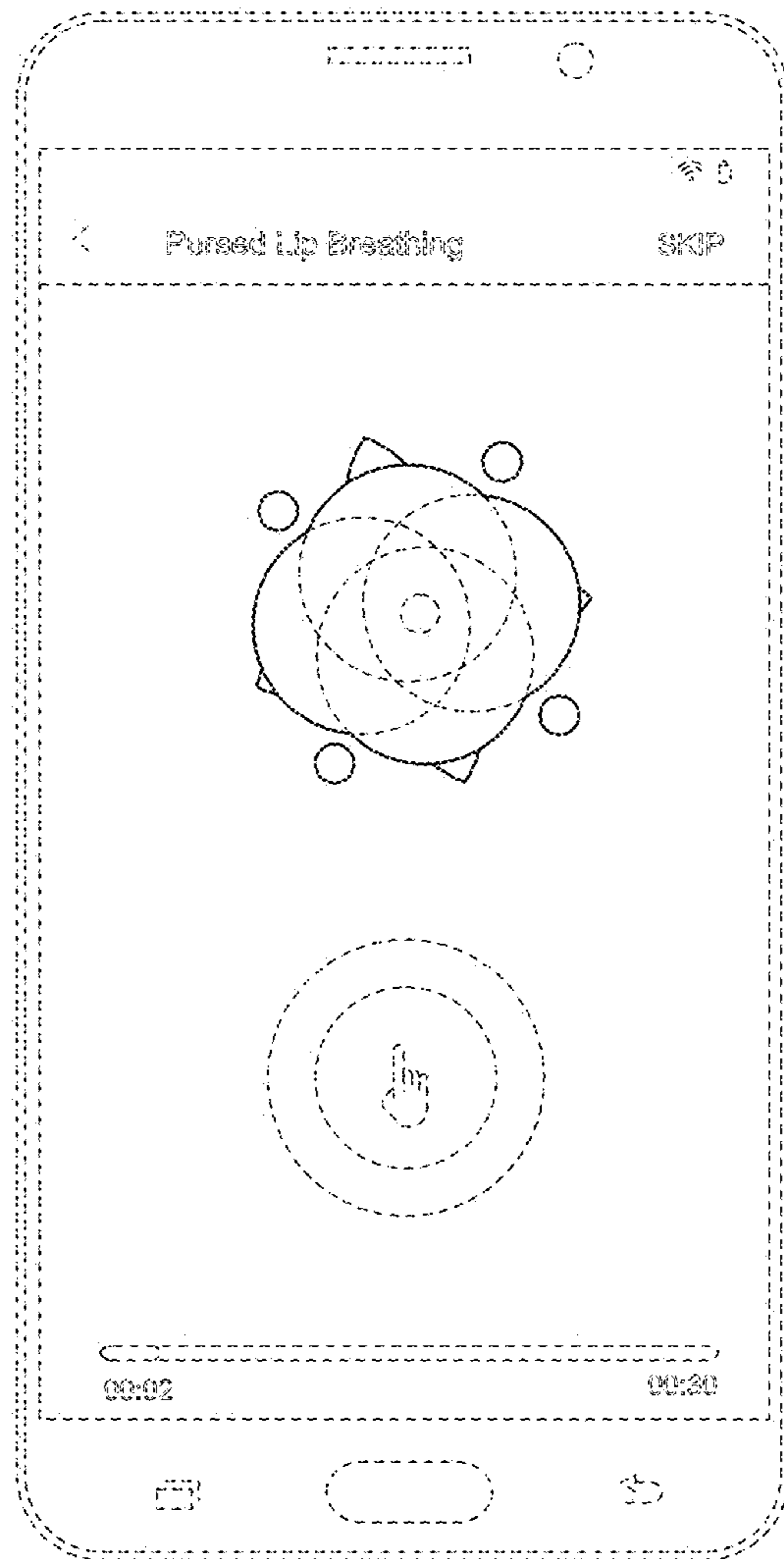


FIG. 10

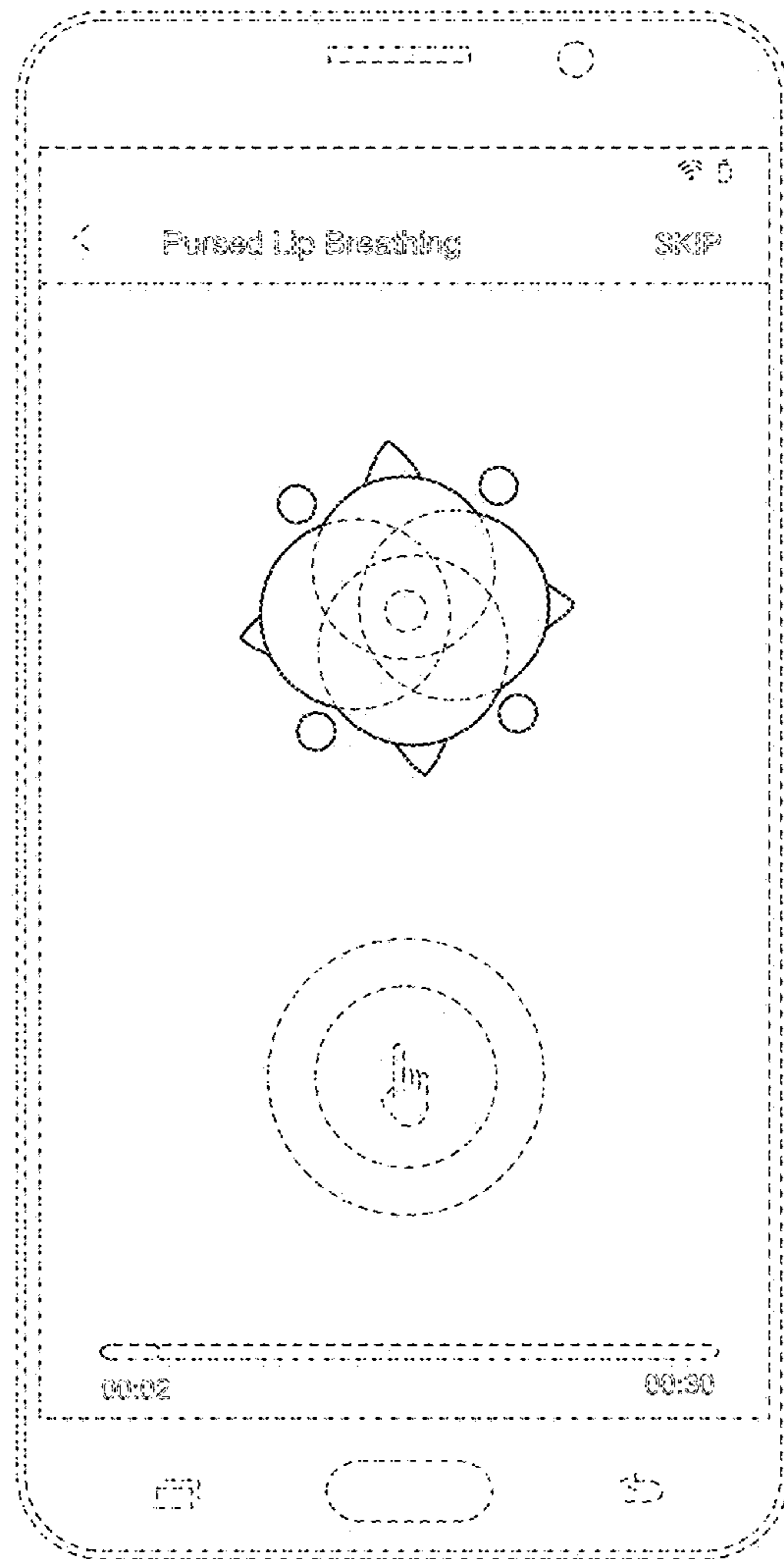


FIG. 11

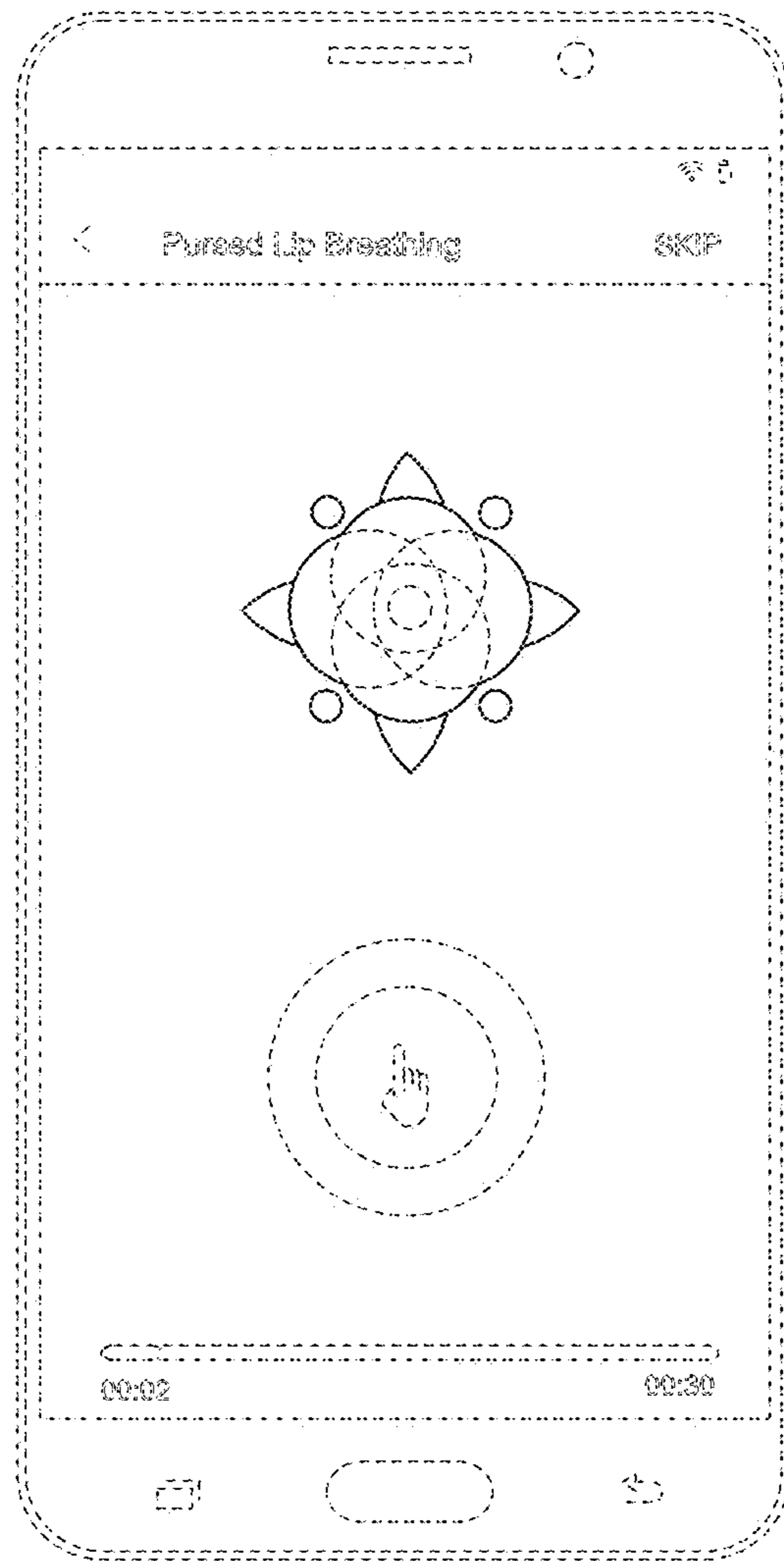


FIG. 12

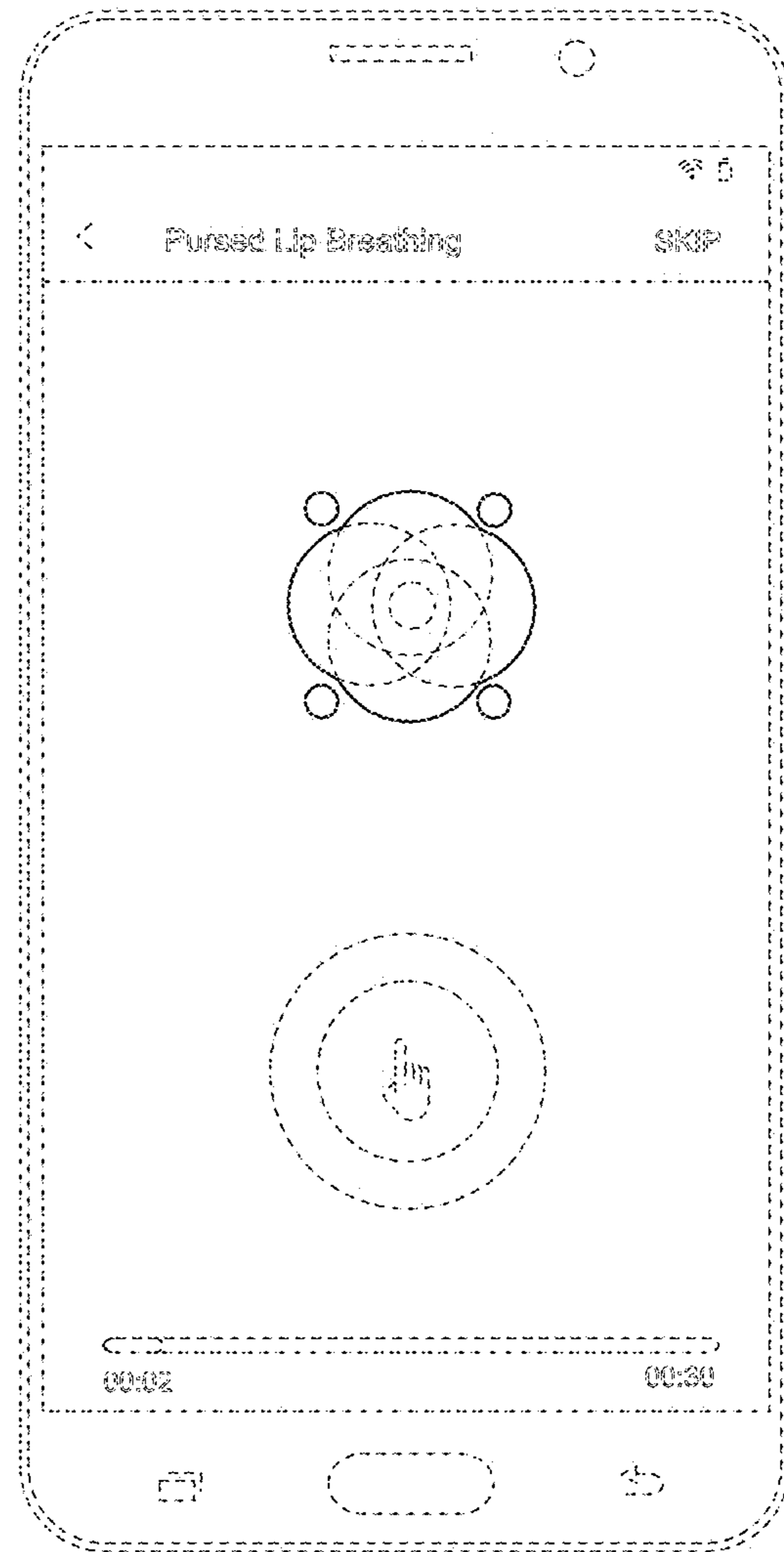


FIG. 13

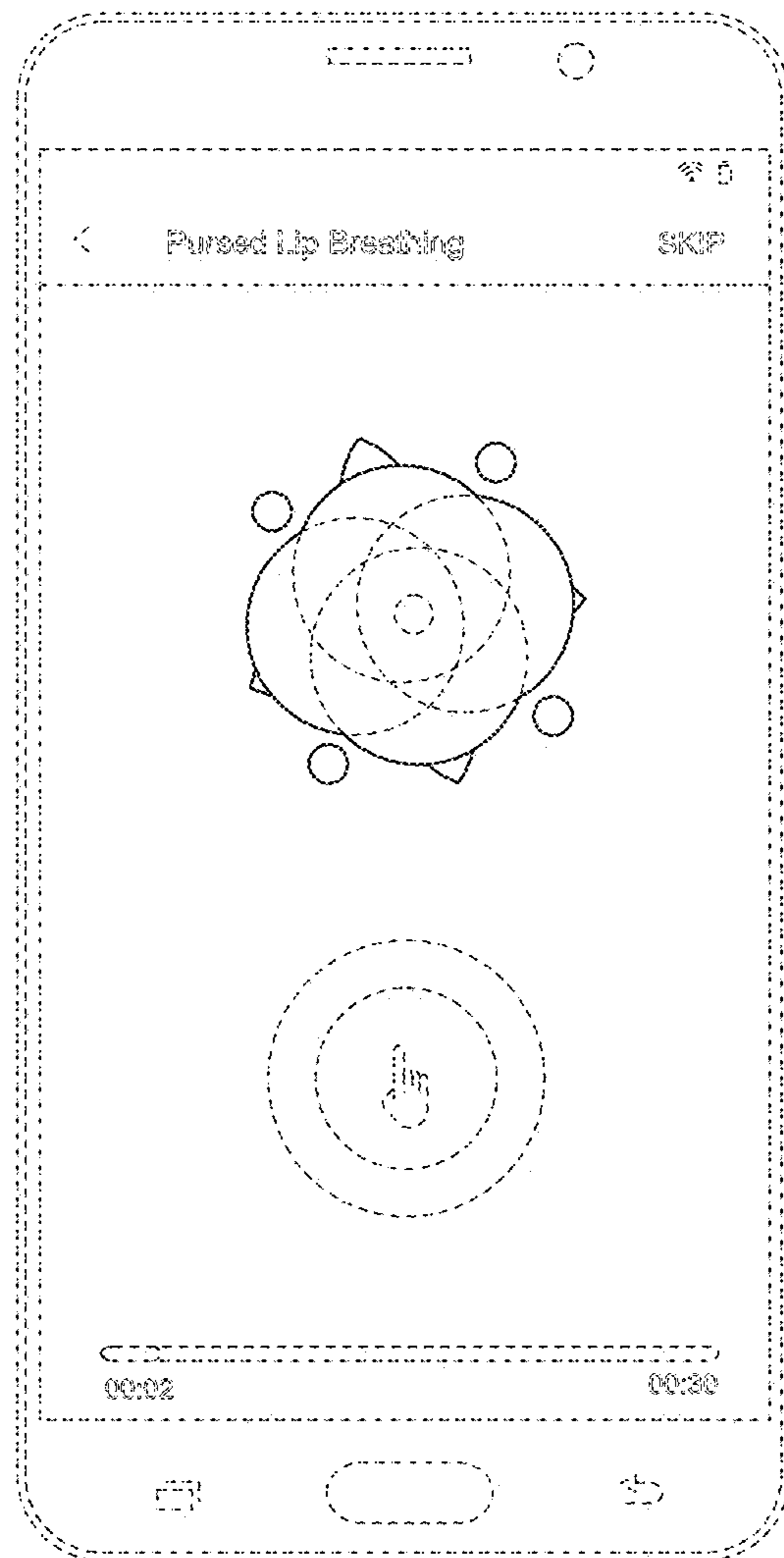


FIG. 14

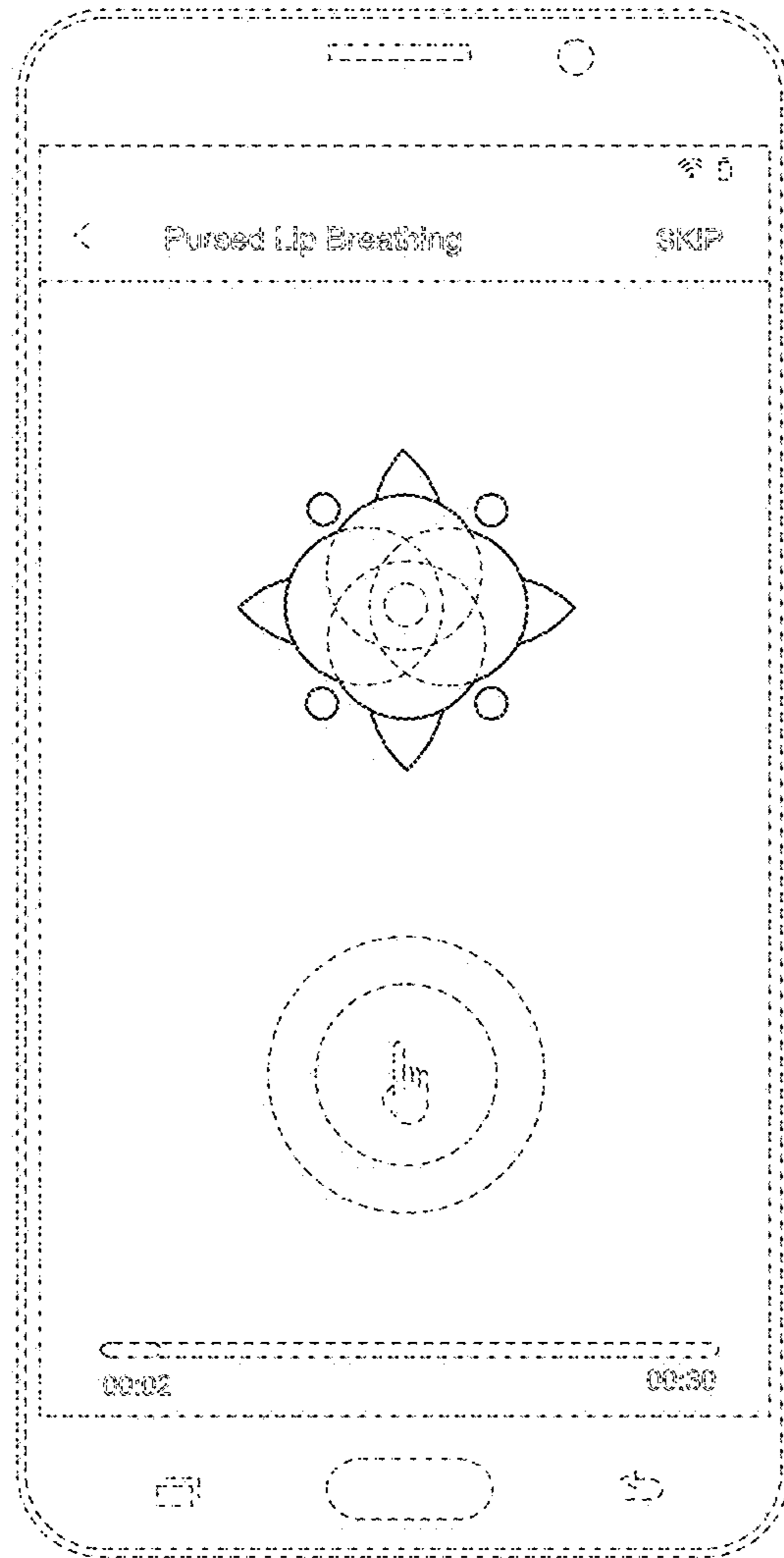


FIG. 15