



US00D937844S

(12) **United States Design Patent**
Li

(10) **Patent No.:** **US D937,844 S**

(45) **Date of Patent:** **** Dec. 7, 2021**

(54) **COMPUTER STAND**

(71) Applicant: **Xinwei Li**, Suzhou (CN)

(72) Inventor: **Xinwei Li**, Suzhou (CN)

(**) Term: **15 Years**

(21) Appl. No.: **29/756,042**

(22) Filed: **Oct. 26, 2020**

(51) **LOC (13) Cl.** **08-07**

(52) **U.S. Cl.**
USPC **D14/447**

(58) **Field of Classification Search**
USPC D14/447, 432, 434, 439, 440, 451, 452,
D14/457, 239, 253; D8/363, 373, 380;
D6/406.3, 406.4, 406.5, 406.6; D12/415;
D13/108
CPC A47B 21/04; A47B 2097/006; A47B
2097/005; A47B 2023/049; A45C
2011/002; A45C 2011/003; F16M
2200/00; F16M 13/00
See application file for complete search history.

(56) **References Cited**

U.S. PATENT DOCUMENTS

D398,458 S *	9/1998	Martell	D6/656.11
D589,964 S *	4/2009	Heggland	D14/434
D596,187 S *	7/2009	Martell	D14/447
D752,908 S *	4/2016	McGrath	D6/699.5
D903,689 S *	12/2020	Zheng	D14/447
D907,640 S *	1/2021	Huang	D14/447
D907,644 S *	1/2021	Li	D14/447
D920,338 S *	5/2021	Chen	D14/447

D921,643 S *	6/2021	Jin	D14/447
D923,631 S *	6/2021	Chen	D14/447
D923,632 S *	6/2021	Li	D14/447
D928,790 S *	8/2021	Hong	D14/447
D931,289 S *	9/2021	Jin	D14/447

* cited by examiner

Primary Examiner — Angela J Lee

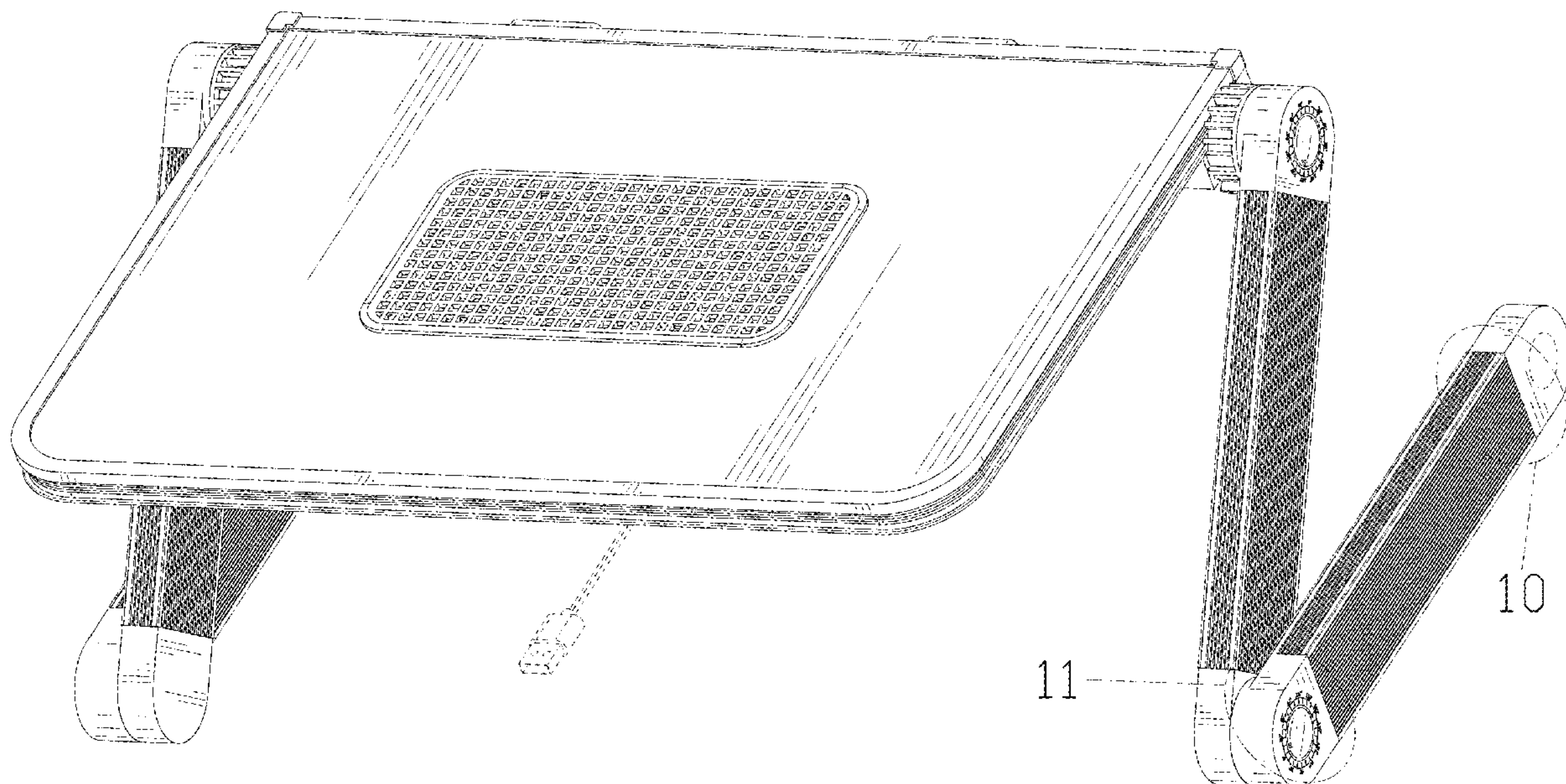
(57) **CLAIM**

The ornamental design for a computer stand, as shown and described.

DESCRIPTION

FIG. 1 is a perspective view of a computer stand showing my new design;
 FIG. 2 is another perspective view thereof;
 FIG. 3 is a front elevational view thereof;
 FIG. 4 is a rear elevational view thereof;
 FIG. 5 is a left side elevational view thereof;
 FIG. 6 is a right side elevational view thereof;
 FIG. 7 is a top plan view thereof;
 FIG. 8 is a bottom plan view thereof;
 FIG. 9 is a perspective view of the computer stand where the computer stand is in a folded state;
 FIG. 10 is an enlarged view of portion 10 shown in FIG. 1; and,
 FIG. 11 is an enlarged view of portion 11 shown in FIG. 1.
 The broken lines in the drawings depict portions of the computer stand that form no part of the claimed design.

1 Claim, 11 Drawing Sheets



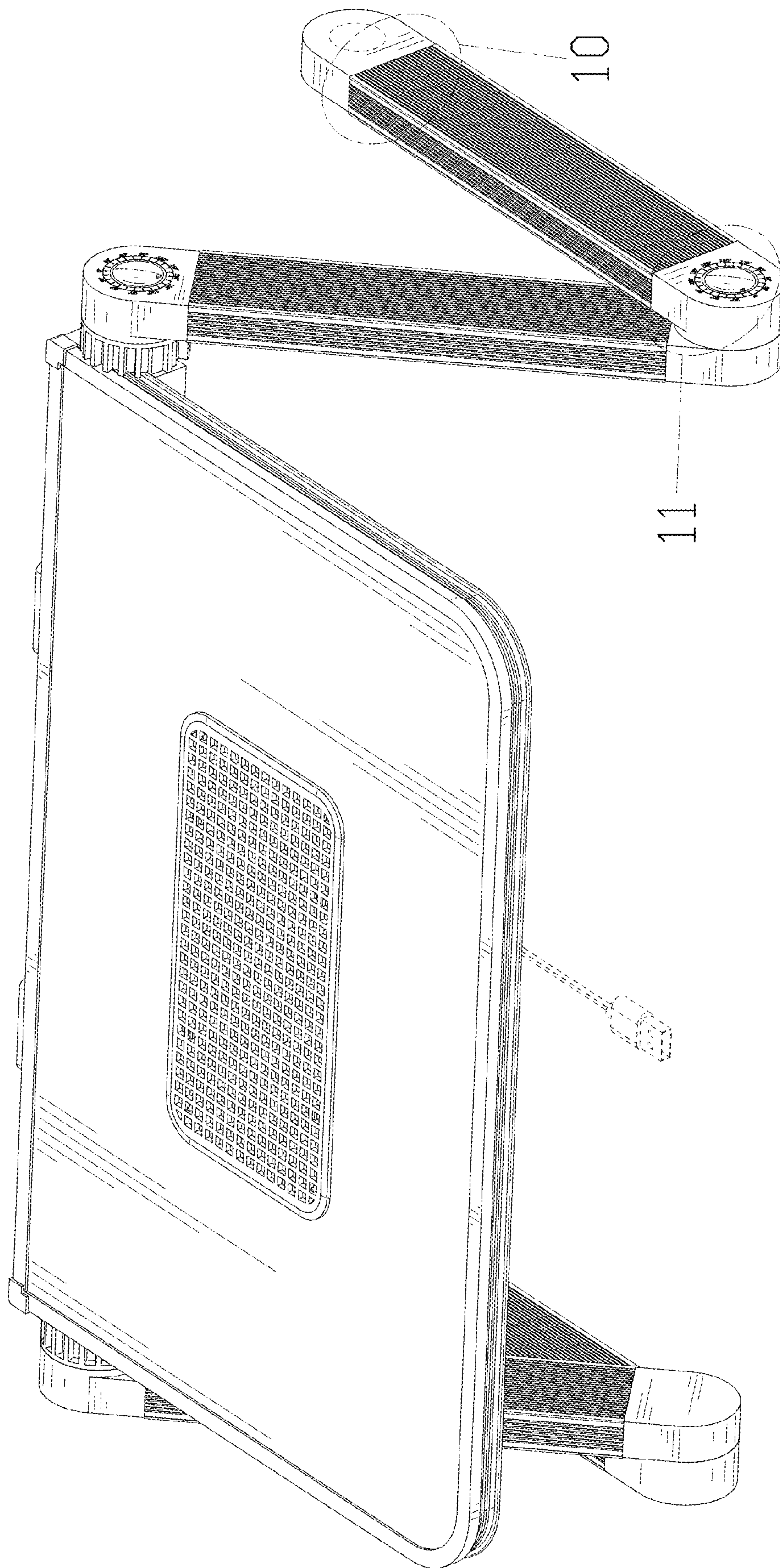


FIG. 1

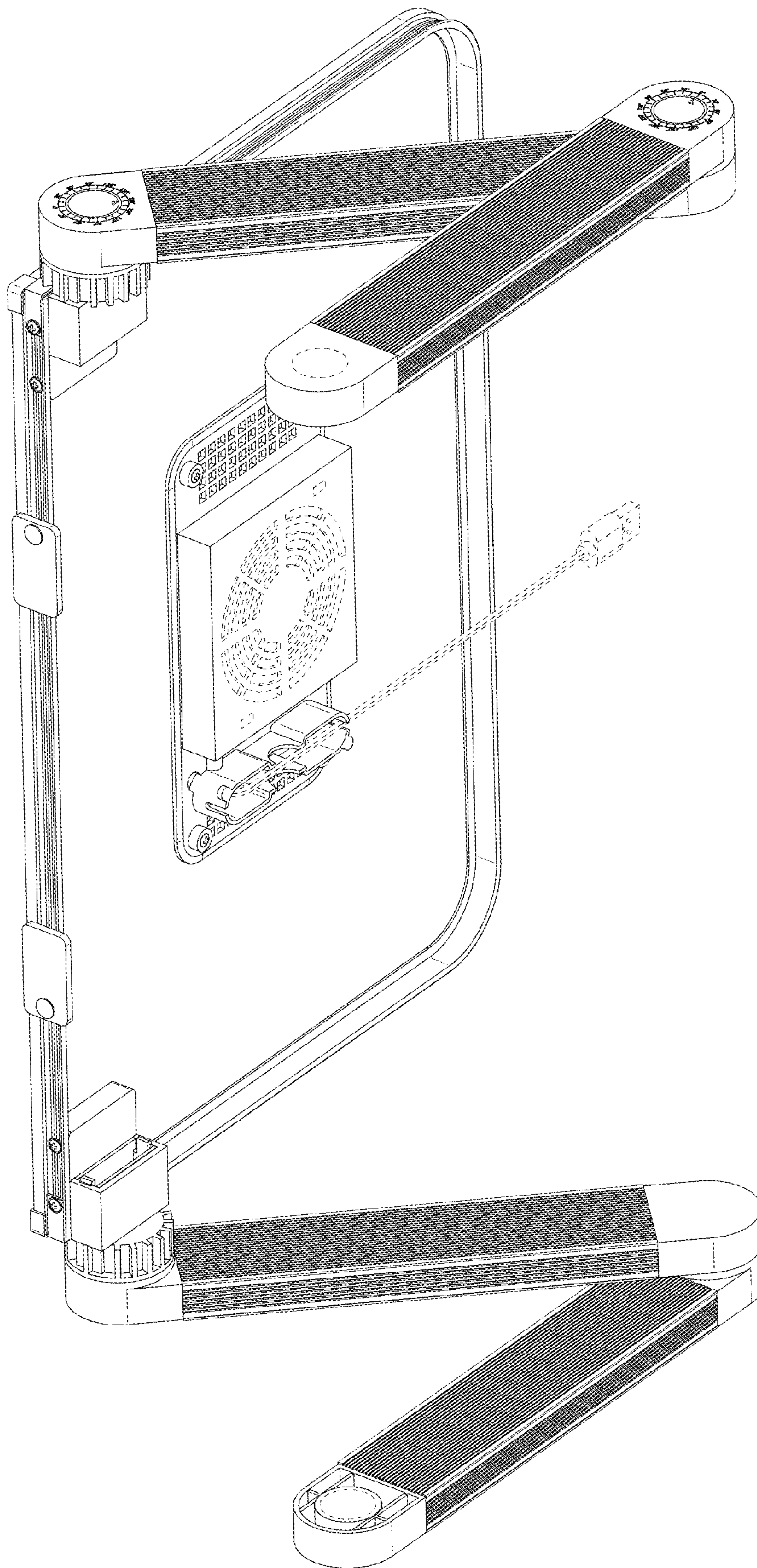


FIG. 2

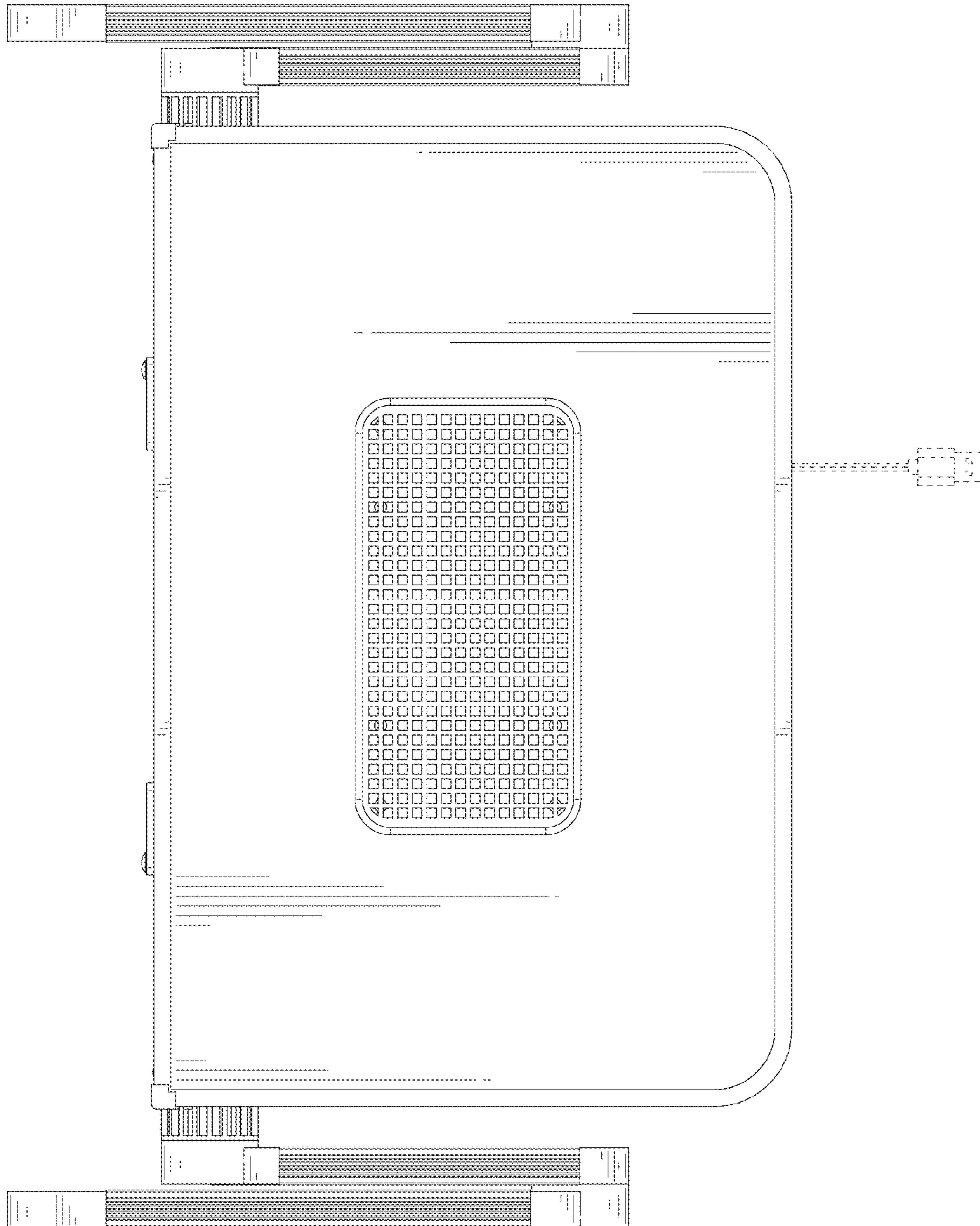


FIG. 3

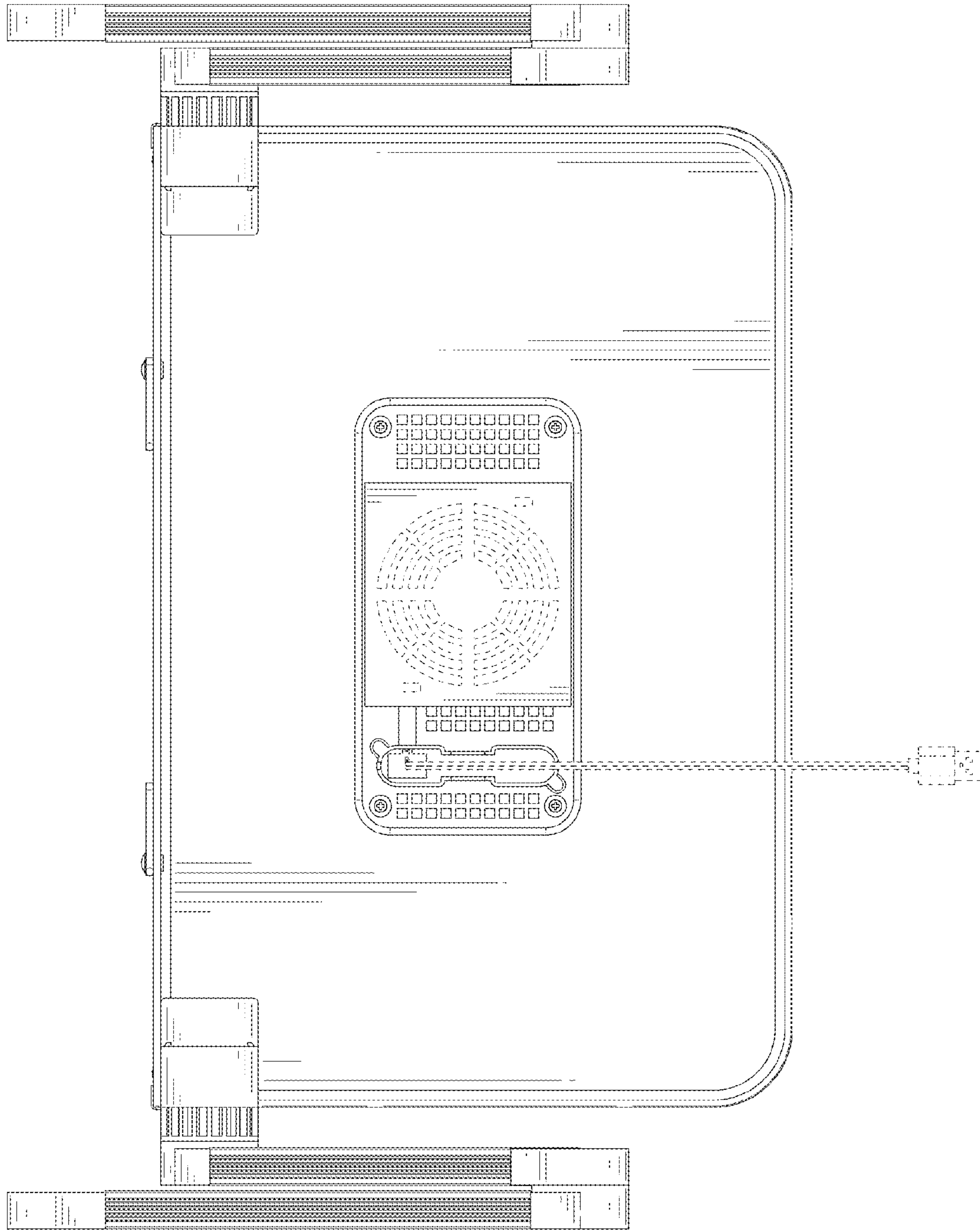


FIG. 4

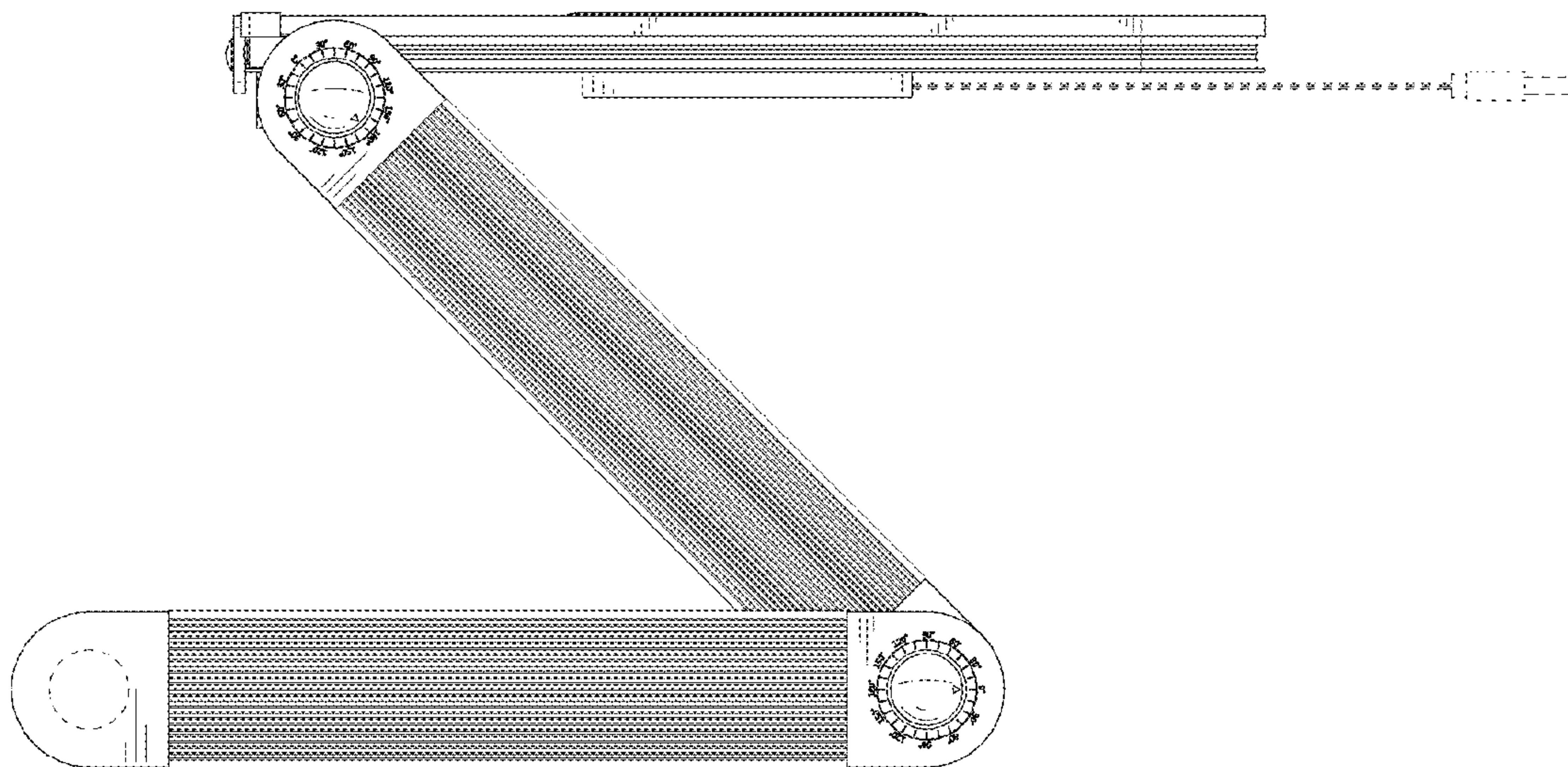


FIG. 5

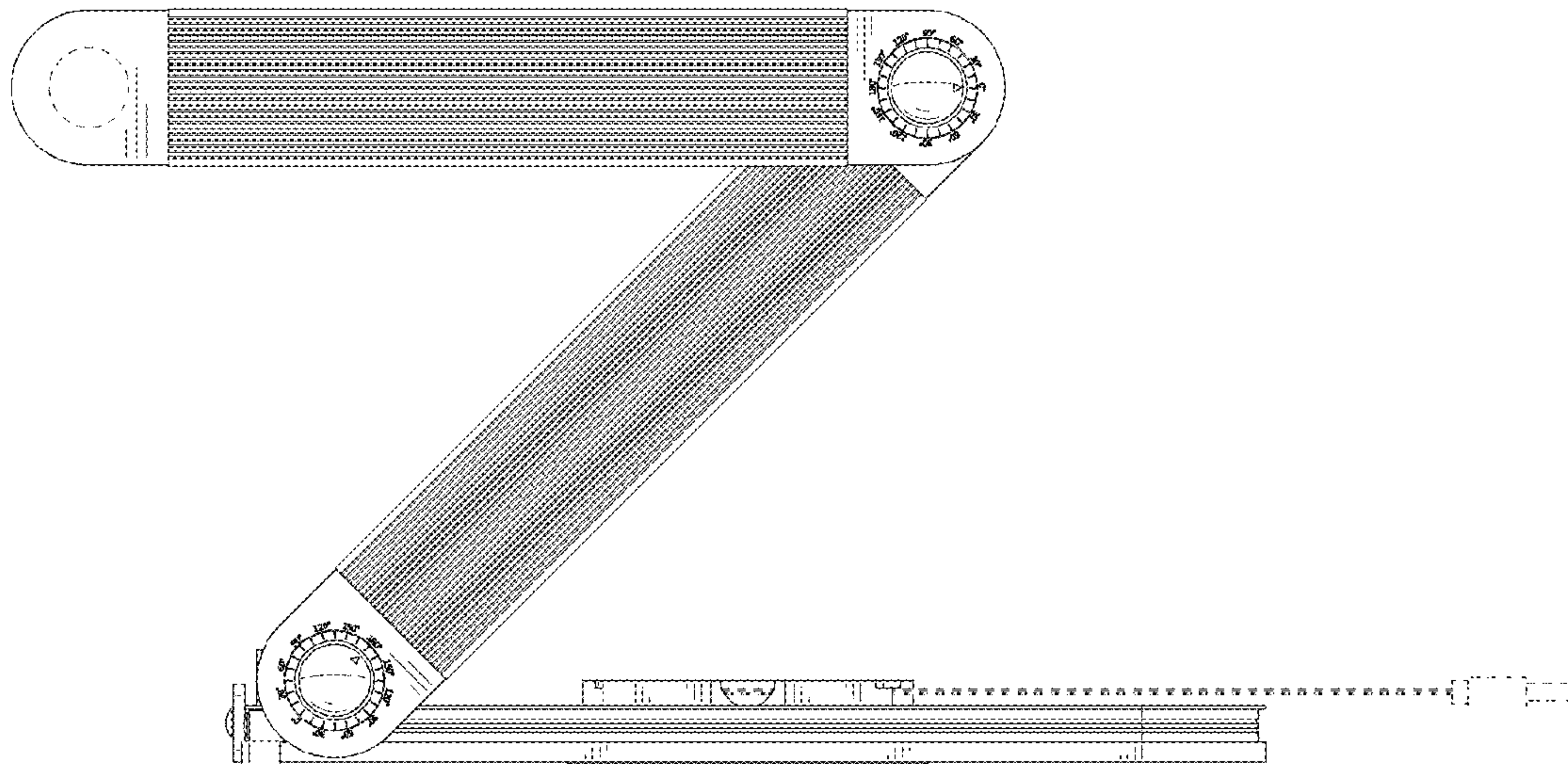


FIG. 6

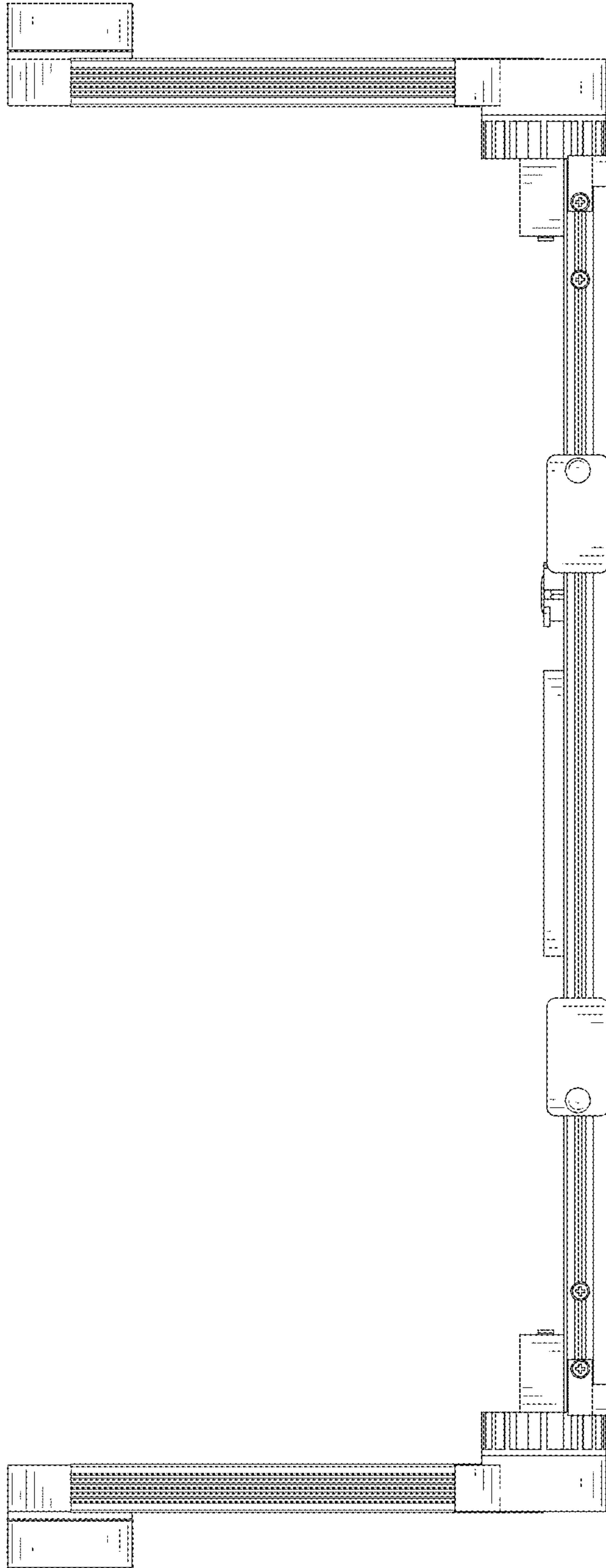


FIG. 7

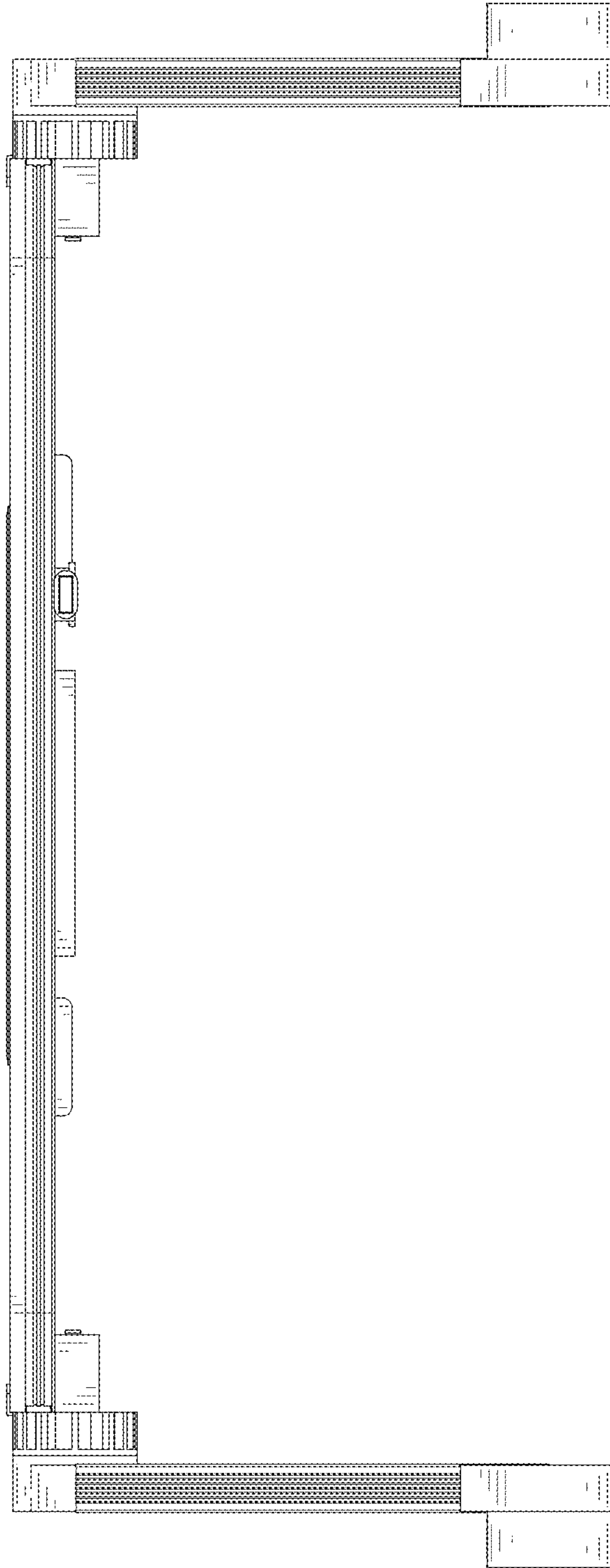


FIG. 8

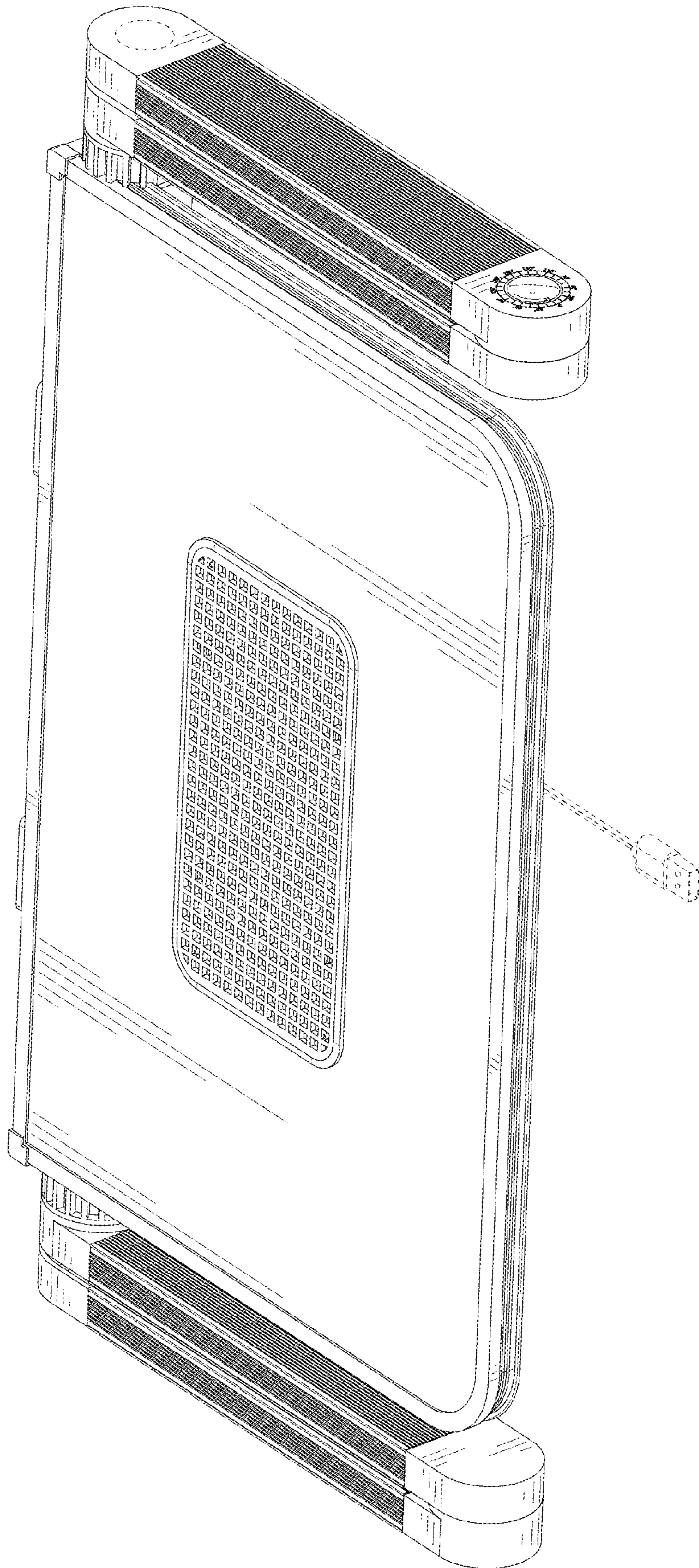


FIG. 9

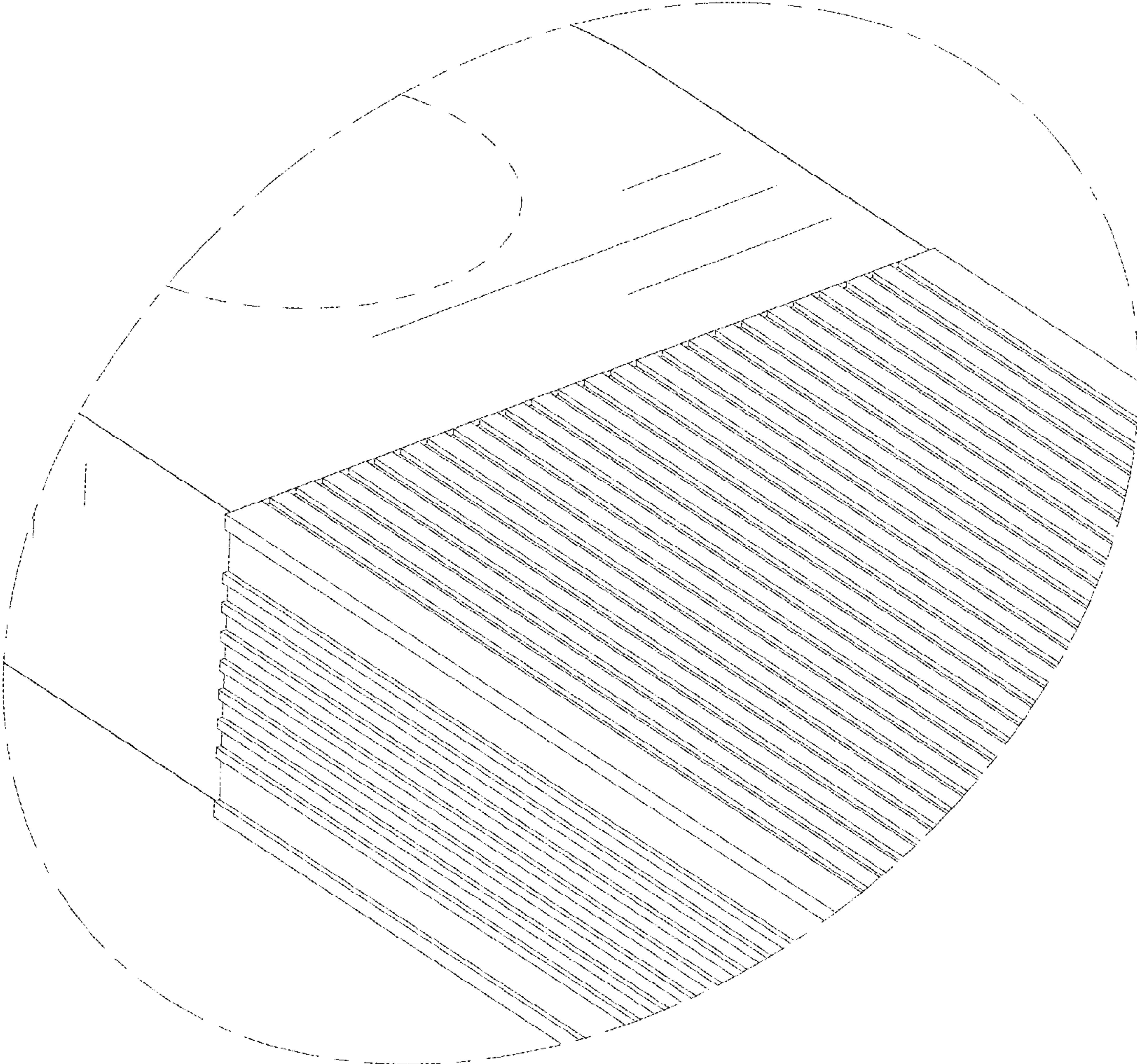


FIG. 10

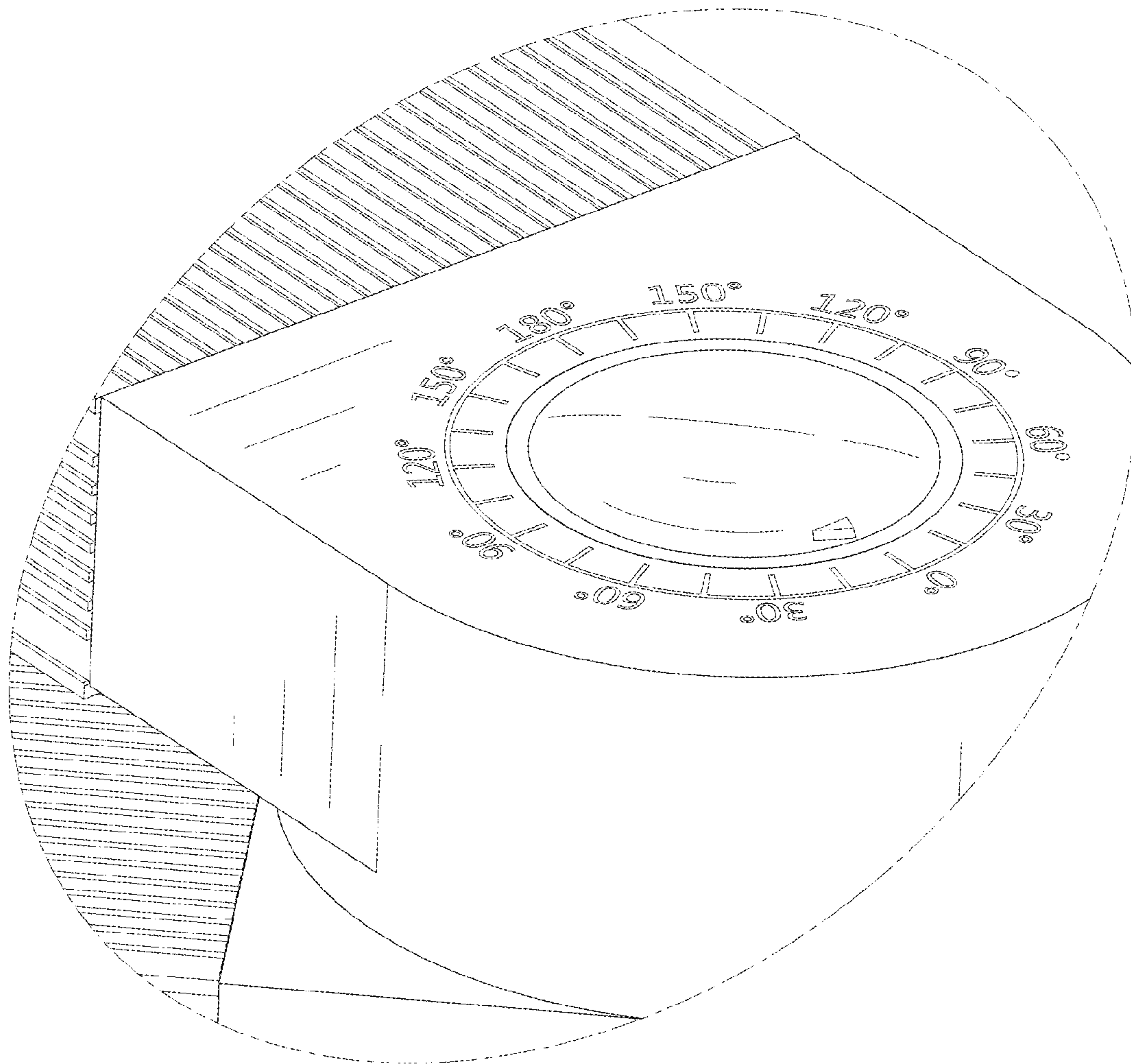


FIG. 11