



US00D937843S

(12) **United States Design Patent** (10) **Patent No.:** **US D937,843 S**
Kuo (45) **Date of Patent:** **** Dec. 7, 2021**

- (54) **HANDLE FOR MOBILE COMPUTER**
- (71) Applicant: **GETAC TECHNOLOGY CORPORATION**, Hsinchu County (TW)
- (72) Inventor: **Hsiu-Yu Kuo**, Taipei (TW)
- (73) Assignee: **GETAC TECHNOLOGY CORPORATION**, Hsinchu County (TW)
- (**) Term: **15 Years**
- (21) Appl. No.: **29/746,263**
- (22) Filed: **Aug. 12, 2020**
- (51) **LOC (13) Cl.** **08-07**
- (52) **U.S. Cl.**
USPC **D14/447**
- (58) **Field of Classification Search**
USPC D14/447, 432, 434, 439, 440, 451, 452, D14/457, 239, 253; D8/363, 373, 380; D6/406.3, 406.4, 406.5, 406.6; D12/415; D13/108
CPC A45C 2011/002; A45C 2011/003; F16M 2200/00; F16M 13/00; A47B 21/04; A47B 2097/006; A47B 2097/005; A47B 2023/049
See application file for complete search history.

- D721,373 S * 1/2015 Logereau D14/432
- D755,797 S * 5/2016 Liu D14/452
- D769,861 S * 10/2016 Sun D14/253
- D772,233 S * 11/2016 Kuo D14/439
- D792,408 S * 7/2017 Kuo D14/432
- D842,851 S * 3/2019 Leitman D14/253
- D900,121 S * 10/2020 Pierson F16M 11/105 D14/447
- D915,390 S * 4/2021 Lim D14/253
- D916,073 S * 4/2021 Li D14/253

* cited by examiner
Primary Examiner — Angela J Lee

(57) **CLAIM**

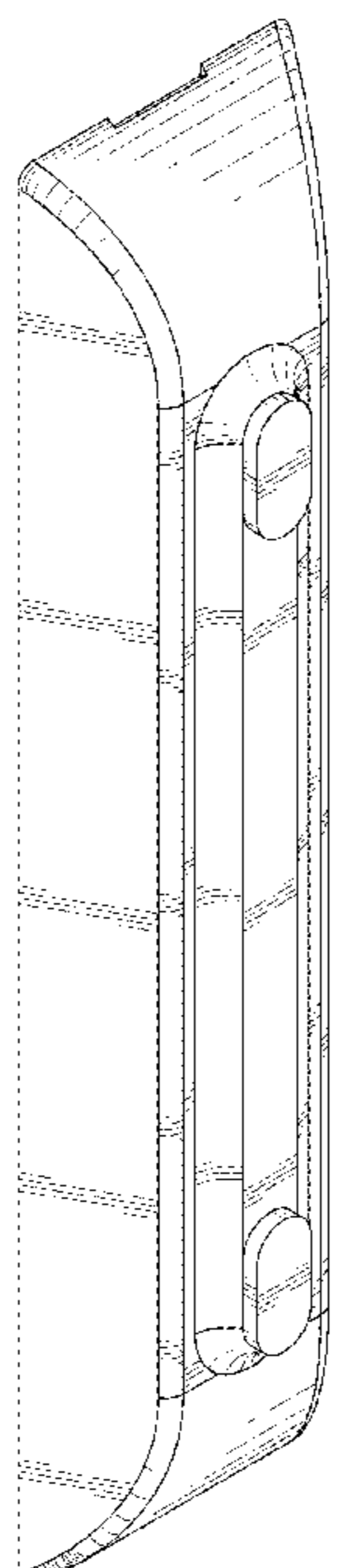
The ornamental design for a “handle for mobile computer,” as shown and described.

DESCRIPTION

FIG. 1 is a top, front and left side perspective view of a handle for a mobile computer showing my new design; FIG. 2 is a bottom, front and right side perspective view thereof; FIG. 3 is a top, rear and right side perspective view thereof; FIG. 4 is a front view thereof; FIG. 5 is a rear view thereof; FIG. 6 is a left side view thereof; FIG. 7 is a right side view thereof; FIG. 8 is a top view thereof; FIG. 9 is a bottom view thereof; FIG. 10 is a top, front and left side perspective view thereof with a mobile computer; and, FIG. 11 is a bottom, front and right side perspective view thereof with a mobile computer. The broken lines illustrate environmental subject matter which forms no part of the claimed design.

1 Claim, 11 Drawing Sheets

- (56) **References Cited**
U.S. PATENT DOCUMENTS
D674,807 S * 1/2013 Derry D14/452
D677,265 S * 3/2013 Lu D14/451
D687,039 S * 7/2013 Wyers D14/439
D689,479 S * 9/2013 Softer D14/253



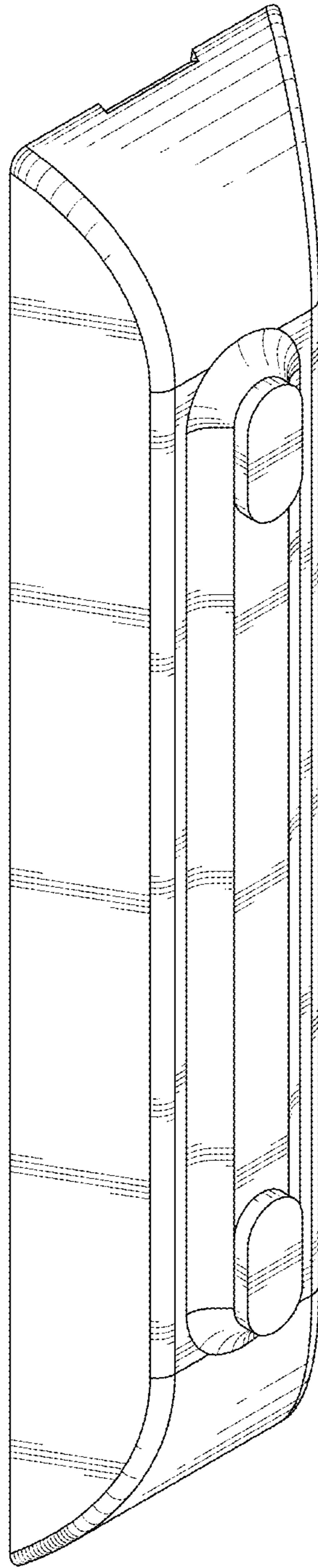


FIG. 1

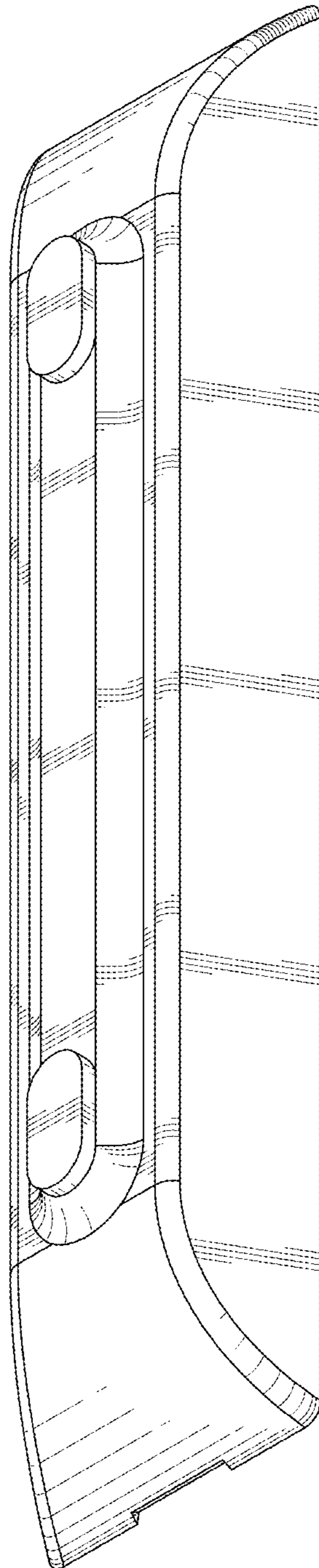


FIG. 2

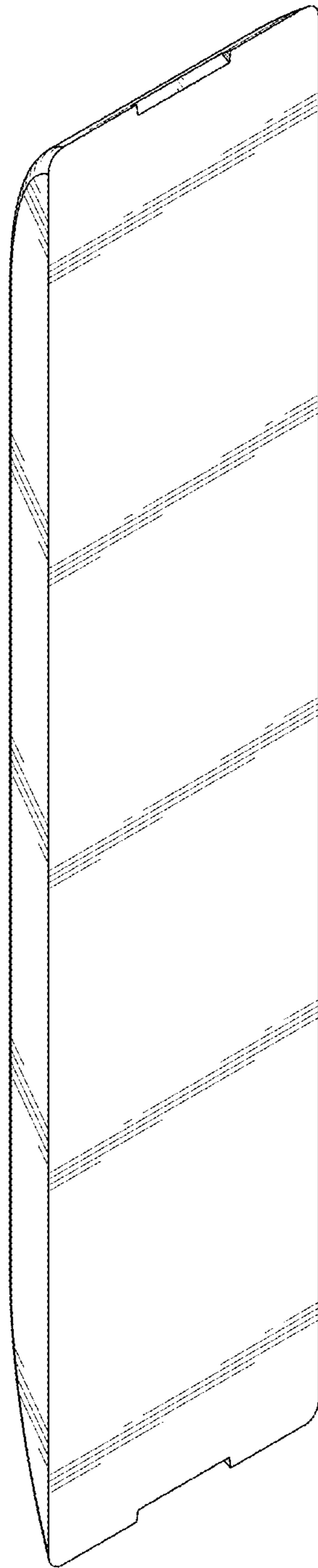


FIG. 3

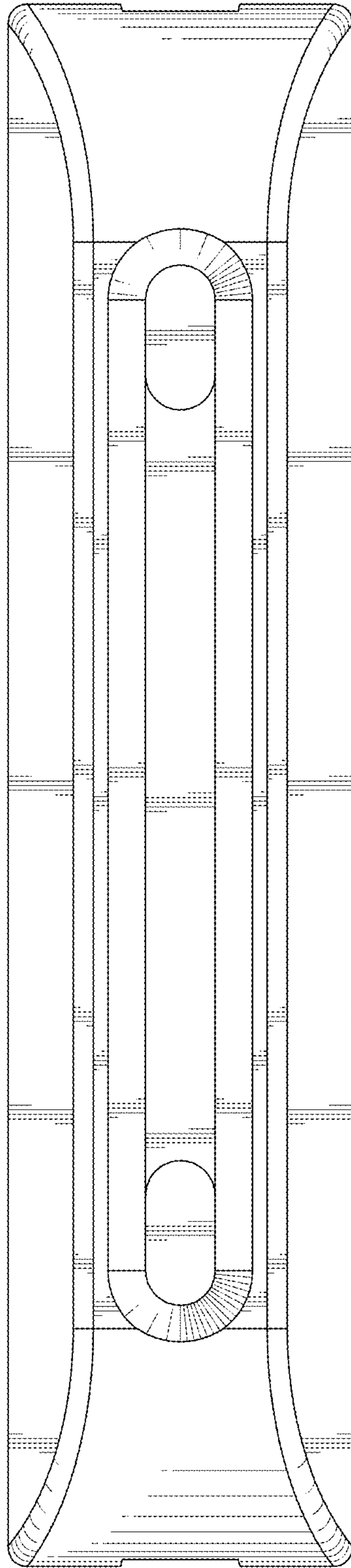


FIG. 4

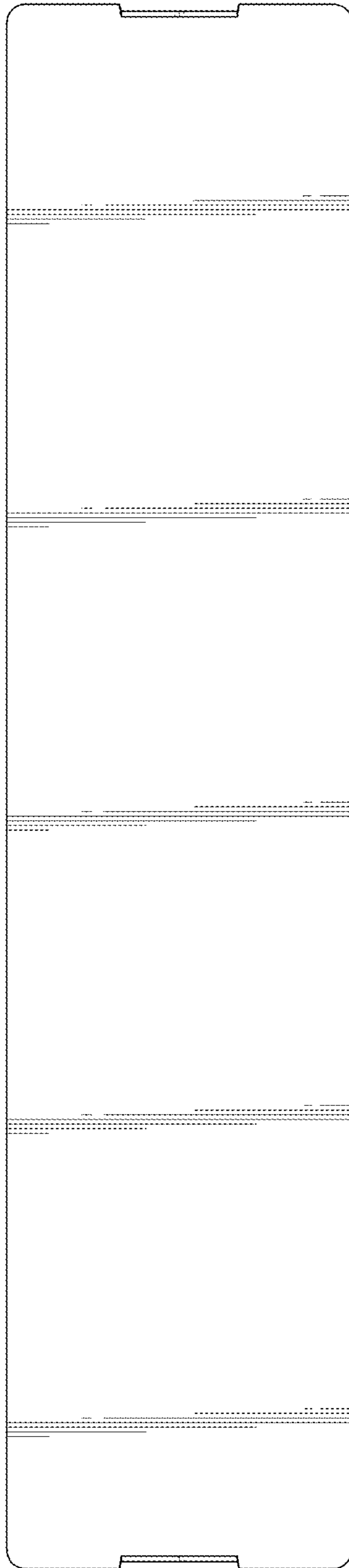


FIG. 5

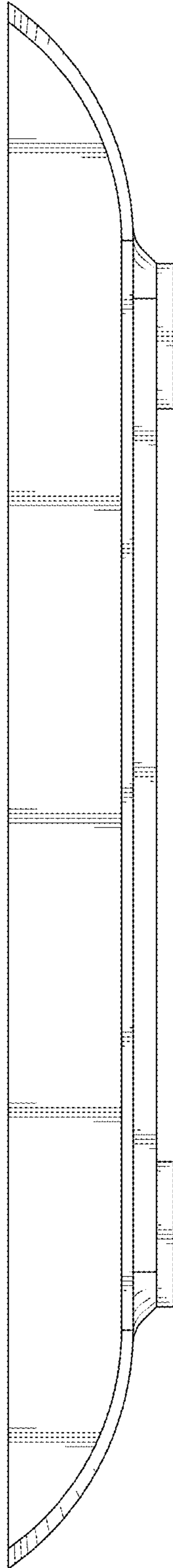


FIG. 6

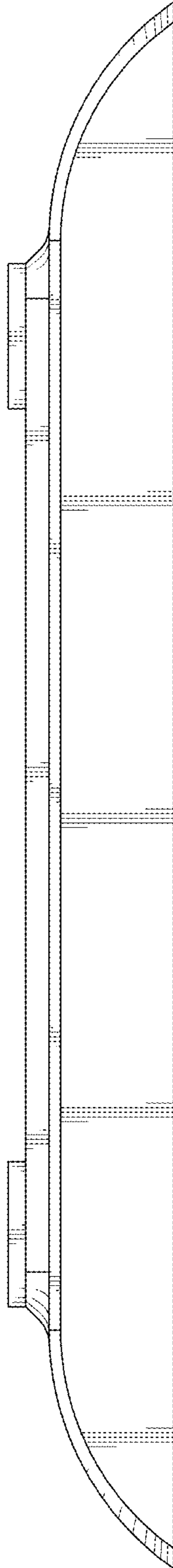


FIG. 7

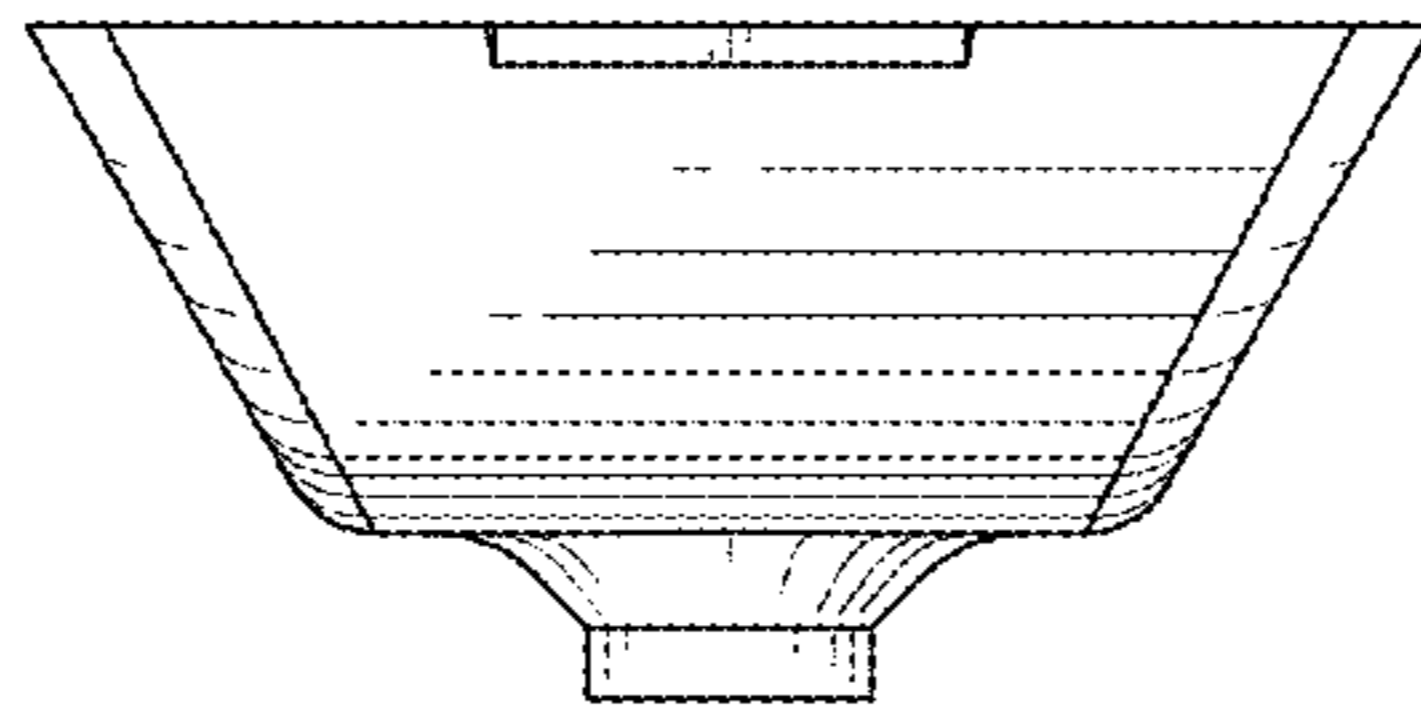


FIG. 8

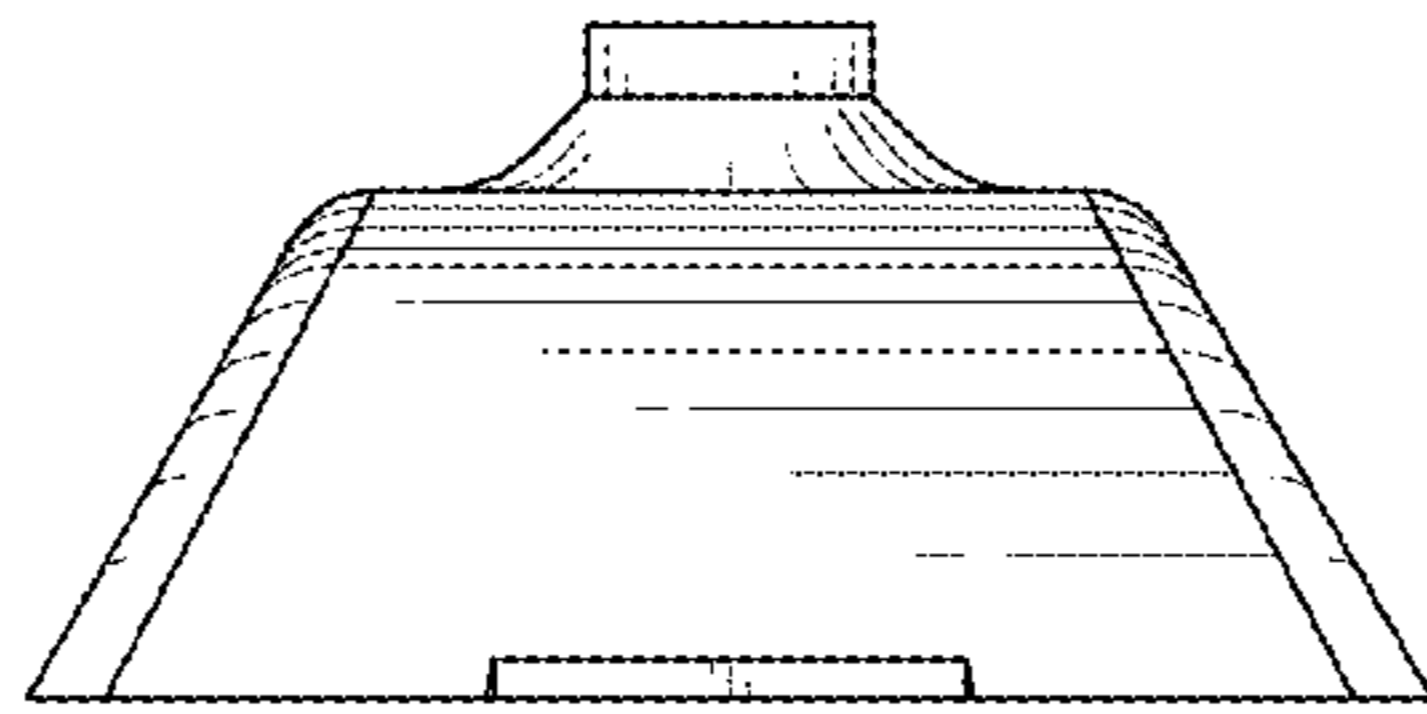


FIG. 9

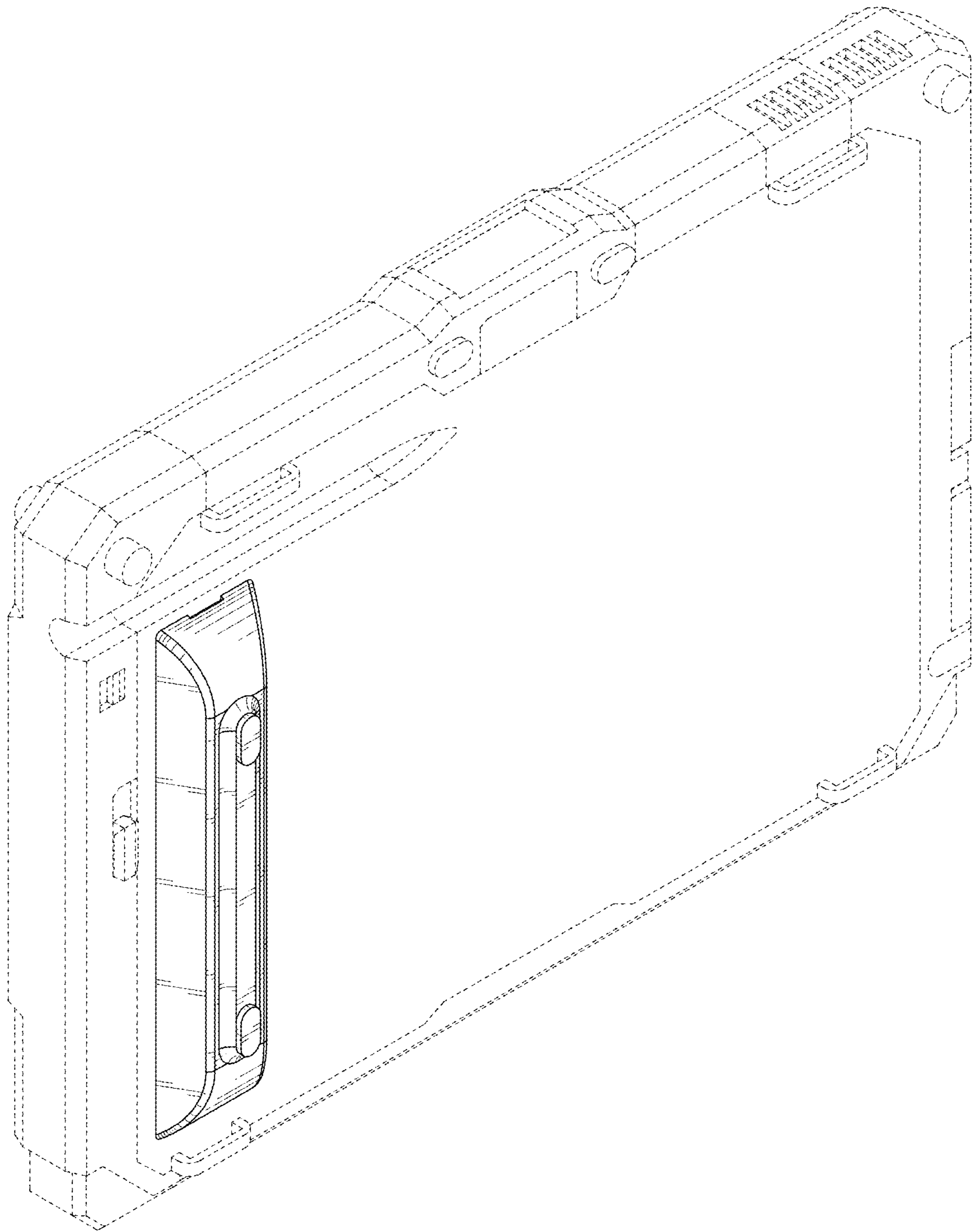


FIG. 10

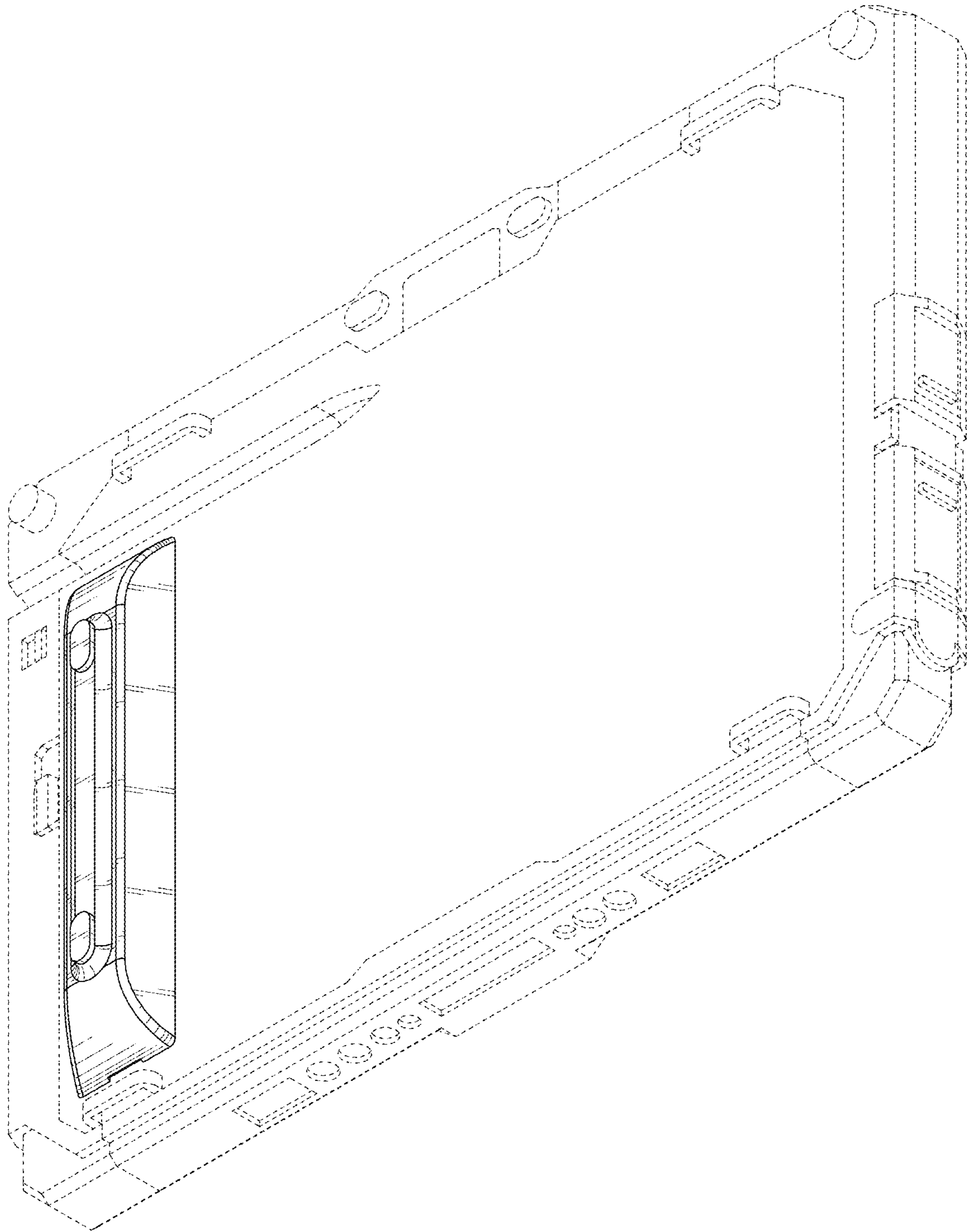


FIG. 11