



US00D937842S

(12) **United States Design Patent**
Hung et al.

(10) **Patent No.:** **US D937,842 S**

(45) **Date of Patent:** **** Dec. 7, 2021**

(54) **PROTECTIVE SHELL**

(71) Applicant: **Getac Technology Corporation,**
Hsinchu County (TW)

(72) Inventors: **Tsung-Liang Hung,** Taipei (TW);
Shi-Liang Zhong, Taipei (TW)

(73) Assignee: **Getac Technology Corporation,**
Hsinchu County (TW)

(**) Term: **15 Years**

(21) Appl. No.: **29/736,657**

(22) Filed: **Jun. 2, 2020**

(51) **LOC (13) Cl.** **14-02**

(52) **U.S. Cl.**
USPC **D14/440**

(58) **Field of Classification Search**
USPC D14/440, 447, 250, 315; 206/45.23, 320,
206/45.2; 361/679.55; 294/25; 224/218
CPC ... G06F 1/1628; G06F 1/1626; A47B 23/044;
H04B 1/3888
See application file for complete search history.

(56) **References Cited**

U.S. PATENT DOCUMENTS

D829,721 S * 10/2018 Zhang D14/440
D852,802 S * 7/2019 Gao G06F 1/1632
D14/440
D874,467 S * 2/2020 Piper D14/440
10,700,483 B1 * 6/2020 Piper G06F 1/1632
D895,630 S * 9/2020 Piper D14/440

D902,934 S * 11/2020 Manzano D14/440
D910,024 S * 2/2021 Giazzon D14/440
D913,295 S * 3/2021 Piper D14/440
D922,392 S * 6/2021 Chan D14/440
D926,194 S * 7/2021 Piper D14/440
2014/0216953 A1 * 8/2014 Su A45C 11/00
206/37
2020/0318781 A1 * 10/2020 Zhong A45F 5/10

* cited by examiner

Primary Examiner — Cynthia R Underwood

(74) *Attorney, Agent, or Firm* — Locke Lord LLP; Tim
Tingkang Xia, Esq.

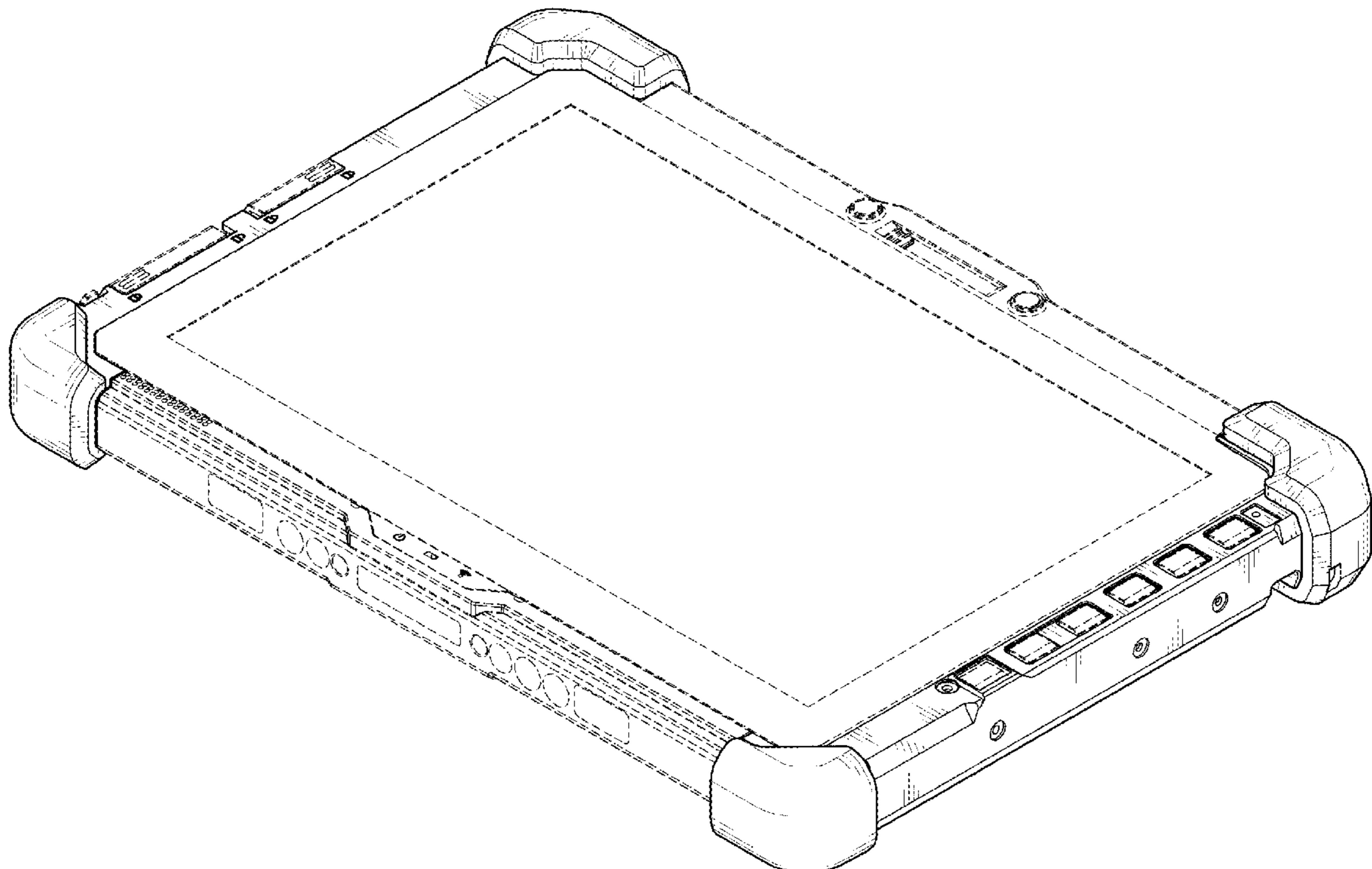
(57) **CLAIM**

The ornamental design for a protective shell, as shown and described.

DESCRIPTION

FIG. 1 is a front, right, and top perspective view of the protective shell;
FIG. 2 is a front view thereof;
FIG. 3 is a rear view thereof;
FIG. 4 is a left side view thereof;
FIG. 5 is a right side view thereof;
FIG. 6 is a top view thereof;
FIG. 7 is a bottom view thereof; and,
FIG. 8 is a rear, right, and bottom perspective view thereof. The broken lines are shown for the purpose of illustrating environmental structure that forms no part of the claimed design.

1 Claim, 6 Drawing Sheets



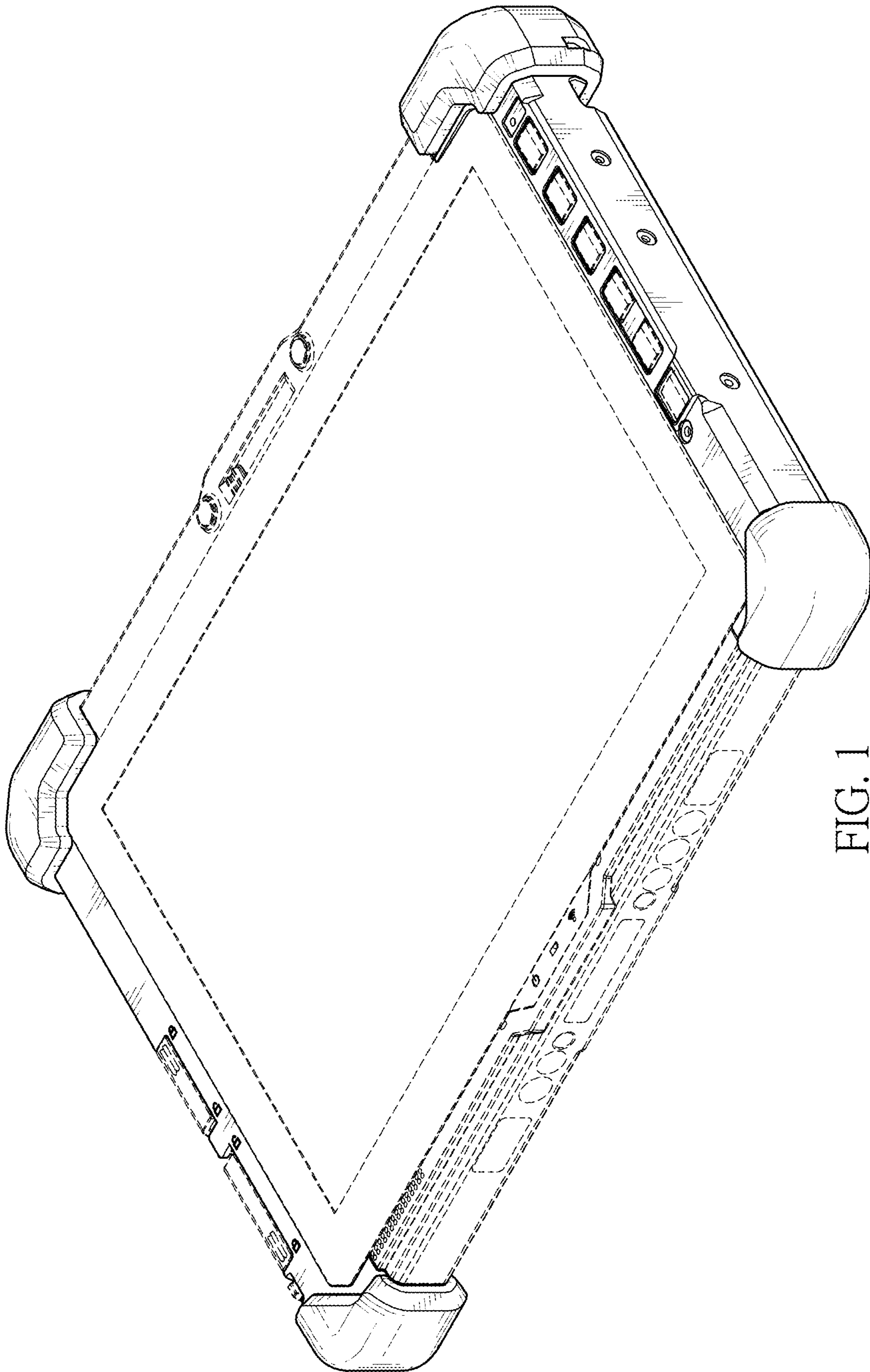


FIG. 1

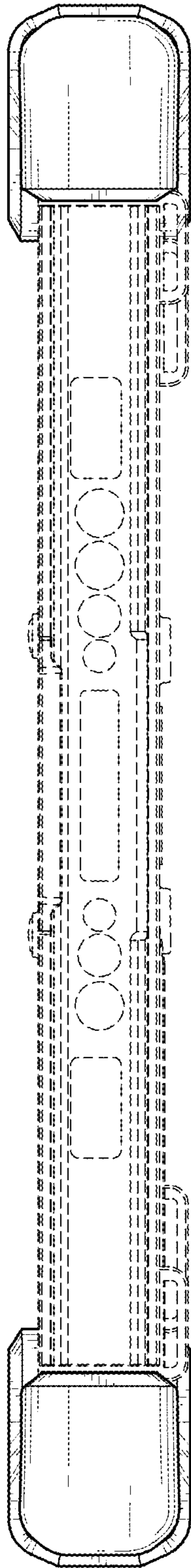


FIG. 2

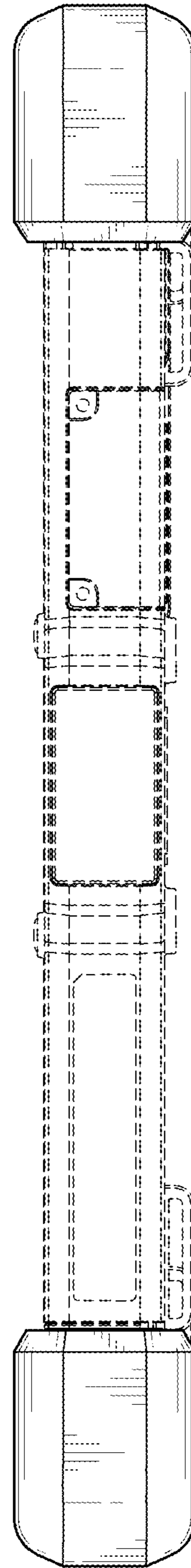


FIG. 3

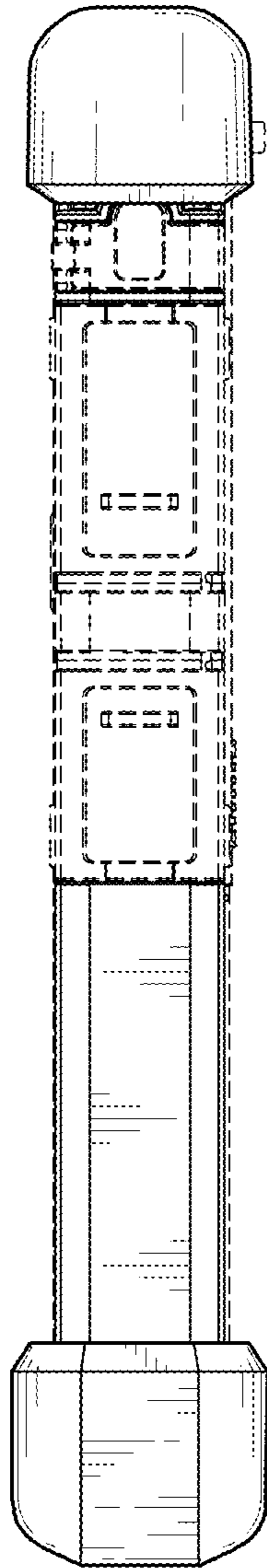


FIG. 4

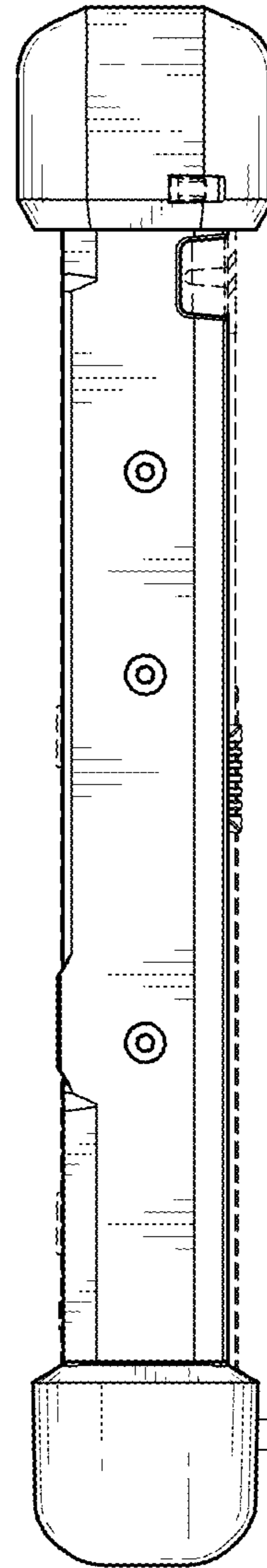


FIG. 5

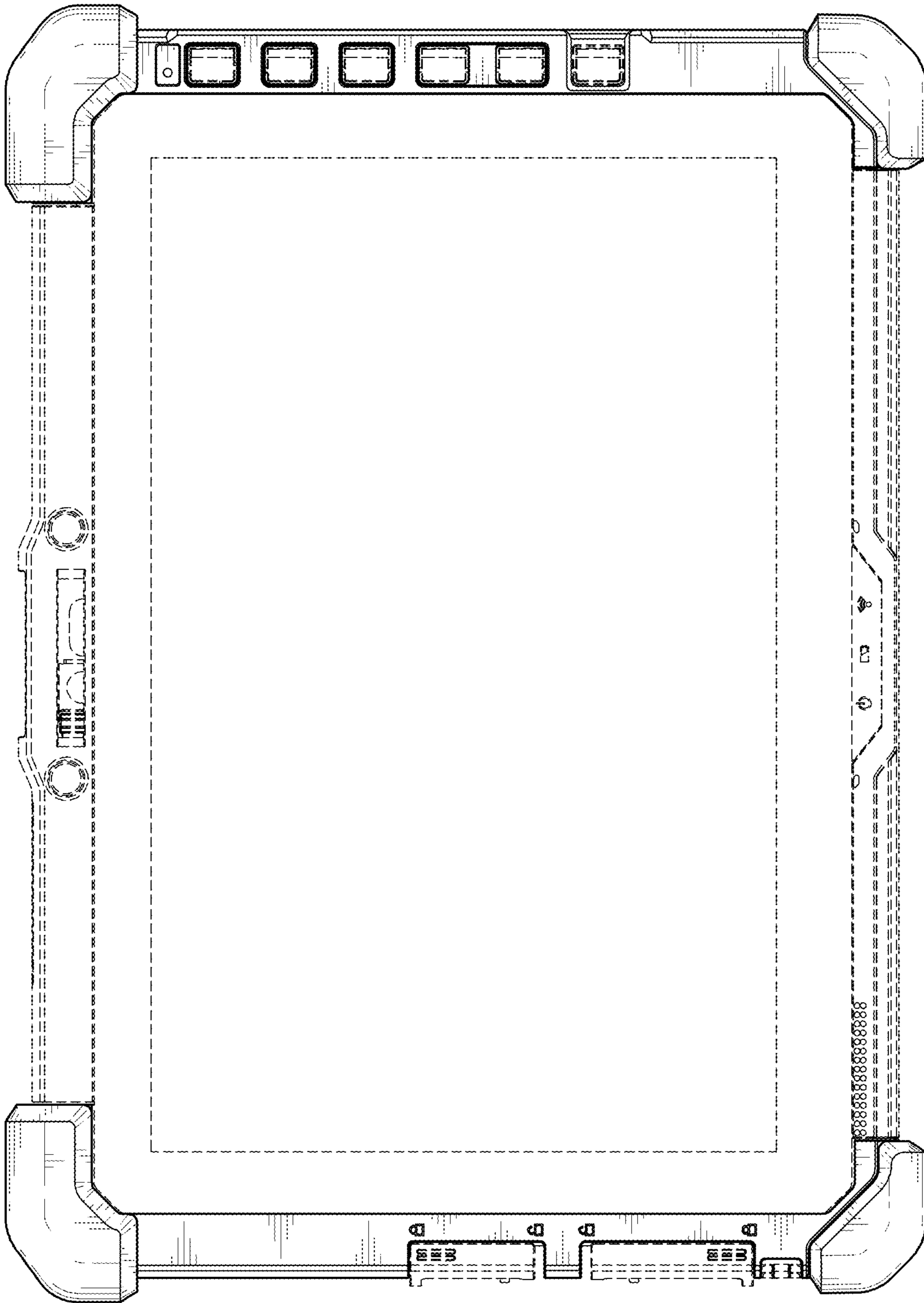


FIG. 6

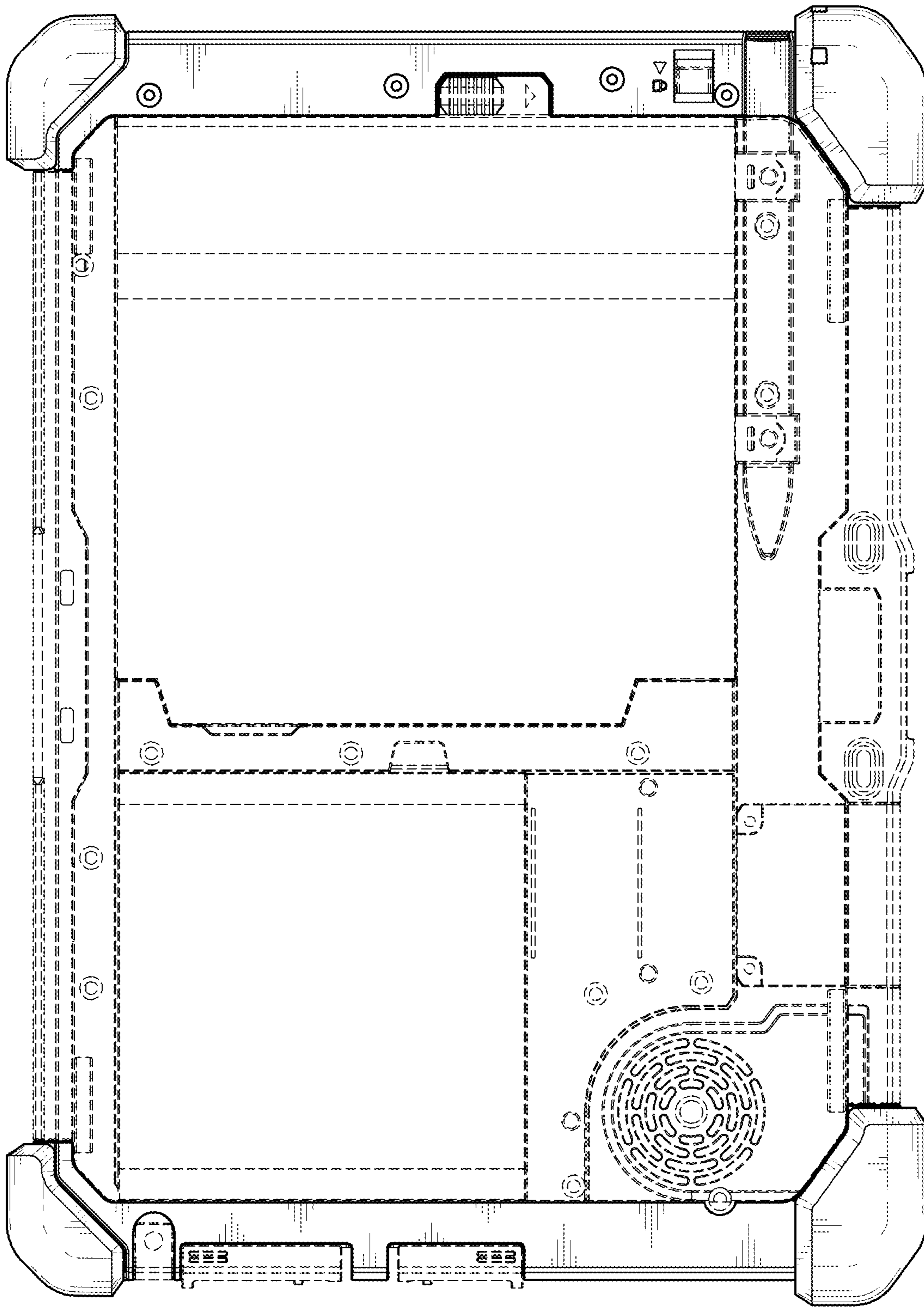


FIG. 7

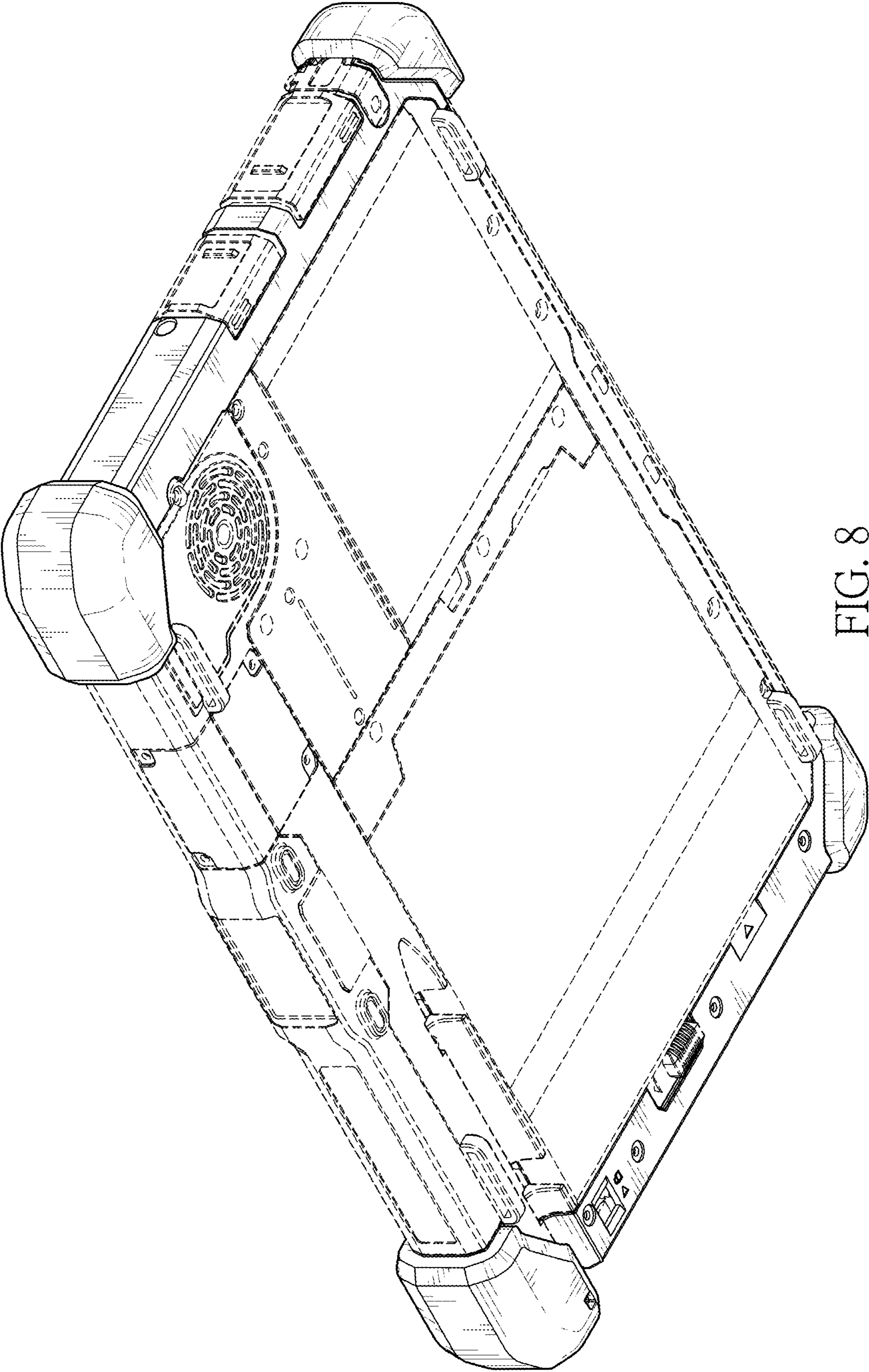


FIG. 8