



US00D937841S

(12) **United States Design Patent**
Mäkelä et al.

(10) **Patent No.:** **US D937,841 S**

(45) **Date of Patent:** **** Dec. 7, 2021**

(54) **CASING FOR DATA PROCESSING EQUIPMENT**

(71) Applicant: **Epec Oy**, Seinäjoki (FI)

(72) Inventors: **Paavo Mäkelä**, Vaasa (FI); **Tuomo Yli-Taipalus**, Seinäjoki (FI)

(73) Assignee: **EPEC OY**, Seinäjoki (FI)

(**) Term: **15 Years**

(21) Appl. No.: **29/705,785**

(22) Filed: **Sep. 16, 2019**

(30) **Foreign Application Priority Data**

Mar. 14, 2019 (EM) 006308573-0001

(51) **LOC (13) Cl.** **14-02**

(52) **U.S. Cl.**
USPC **D14/439**; D15/28

(58) **Field of Classification Search**

USPC D14/439, 433, 432, 251, 371, 314, 479,
D14/247, 415; D15/28, 10, 17, 22-26;
D12/192, 190, 400; D13/184, 162, 164;
D10/125, 122, 75; D34/28, 35

CPC B65D 43/20; B60K 37/06; A01B 51/026;
A01B 63/06; A01B 63/08; A01B 63/10;
A01B 63/1006; A01B 63/11; A01B
63/1112; A01B 63/1115; A01B 63/1145;
B62D 12/00; B65G 1/0421; B60P 1/02;
B60P 1/025; B62B 1/14; A01D 90/083;
E02F 3/28; E02F 3/301; E02F 3/307;
E02F 3/308; E02F 3/32; E02F 3/36; E02F
3/38; E02F 3/384; E02F 3/963; E02F
3/964; B66C 5/00; B66C 5/02; B66C
5/04; B66C 5/06; F24H 9/20; A61B
2090/5025

See application file for complete search history.

(56) **References Cited**

U.S. PATENT DOCUMENTS

D380,199 S * 6/1997 Beruscha D10/75
D550,167 S * 9/2007 Popa D13/164

D587,286 S * 2/2009 Jurasz D15/28
D596,175 S * 7/2009 Viertola D14/314
D627,798 S * 11/2010 Berning D15/28
D650,815 S * 12/2011 Pellervo Viertola D15/28
D651,220 S * 12/2011 Ohtonen D15/28
D710,398 S * 8/2014 Oeder D15/28
D719,984 S * 12/2014 Viertola D15/28
D735,199 S * 7/2015 Song D14/432
D748,096 S * 1/2016 Laessle D14/439
D829,213 S * 9/2018 Szeremeta D14/432
2006/0243270 A1* 11/2006 Moskwa F24H 9/20
126/194

FOREIGN PATENT DOCUMENTS

EM 003871763-0001 * 4/2017

* cited by examiner

Primary Examiner — Ramzi Almatrahi

Assistant Examiner — Charles Cunningham

(74) *Attorney, Agent, or Firm* — Nixon & Vanderhve PC

(57) **CLAIM**

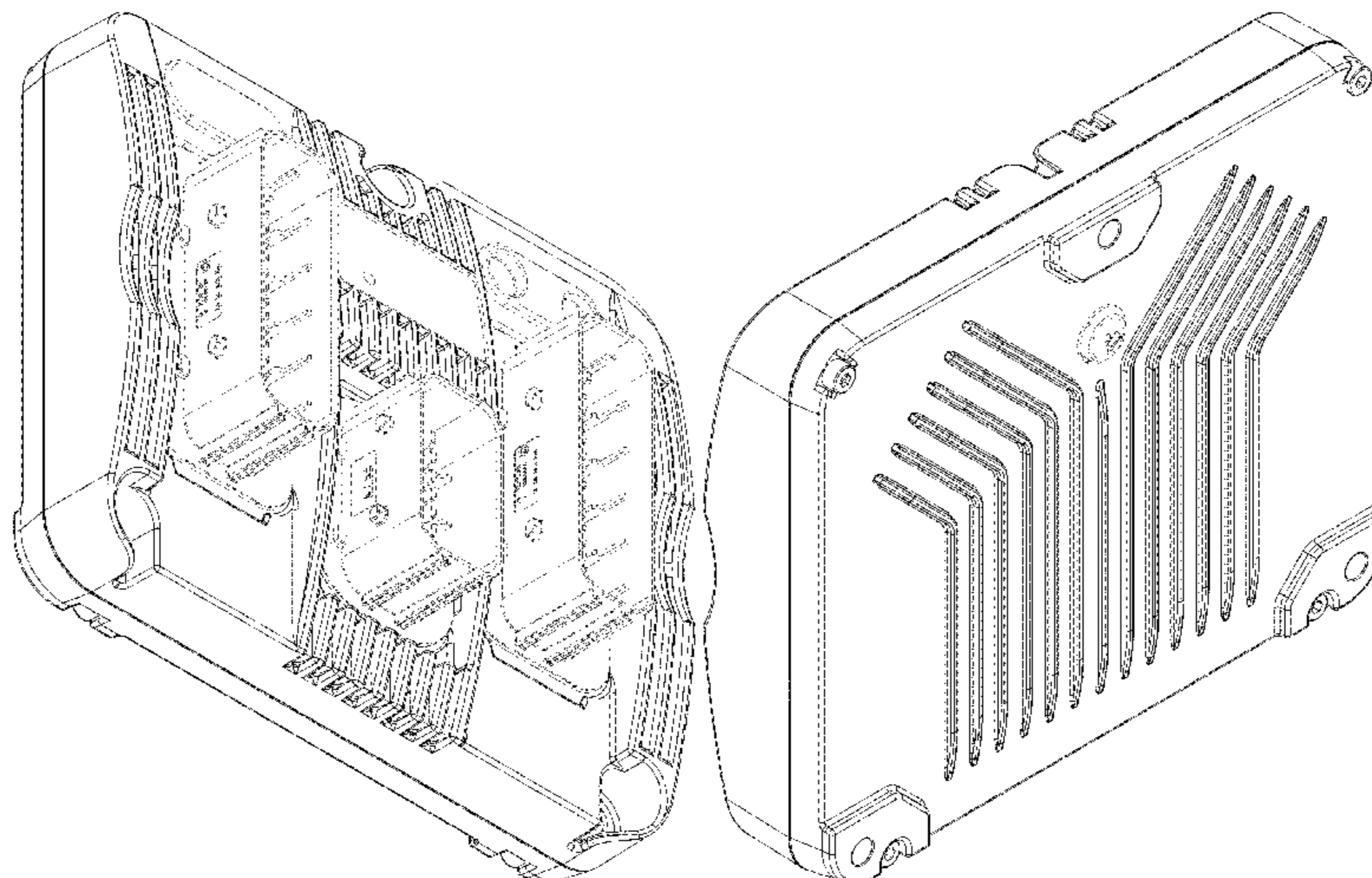
The ornamental design for a casing for data processing equipment, as shown and described.

DESCRIPTION

FIG. 1 is a front perspective view of a casing for data processing equipment in accordance with our new design; FIG. 2 is a front view thereof; FIG. 3 is a rear perspective view thereof; FIG. 4 is a rear view thereof; FIG. 5 is a right side view thereof; FIG. 6 is a left side view thereof; FIG. 7 is a bottom plan view thereof; and, FIG. 8 is a top plan view thereof.

The broken lines depict portions of the casing for data processing equipment in which the design is embodied that form no part of the claimed designed.

1 Claim, 6 Drawing Sheets



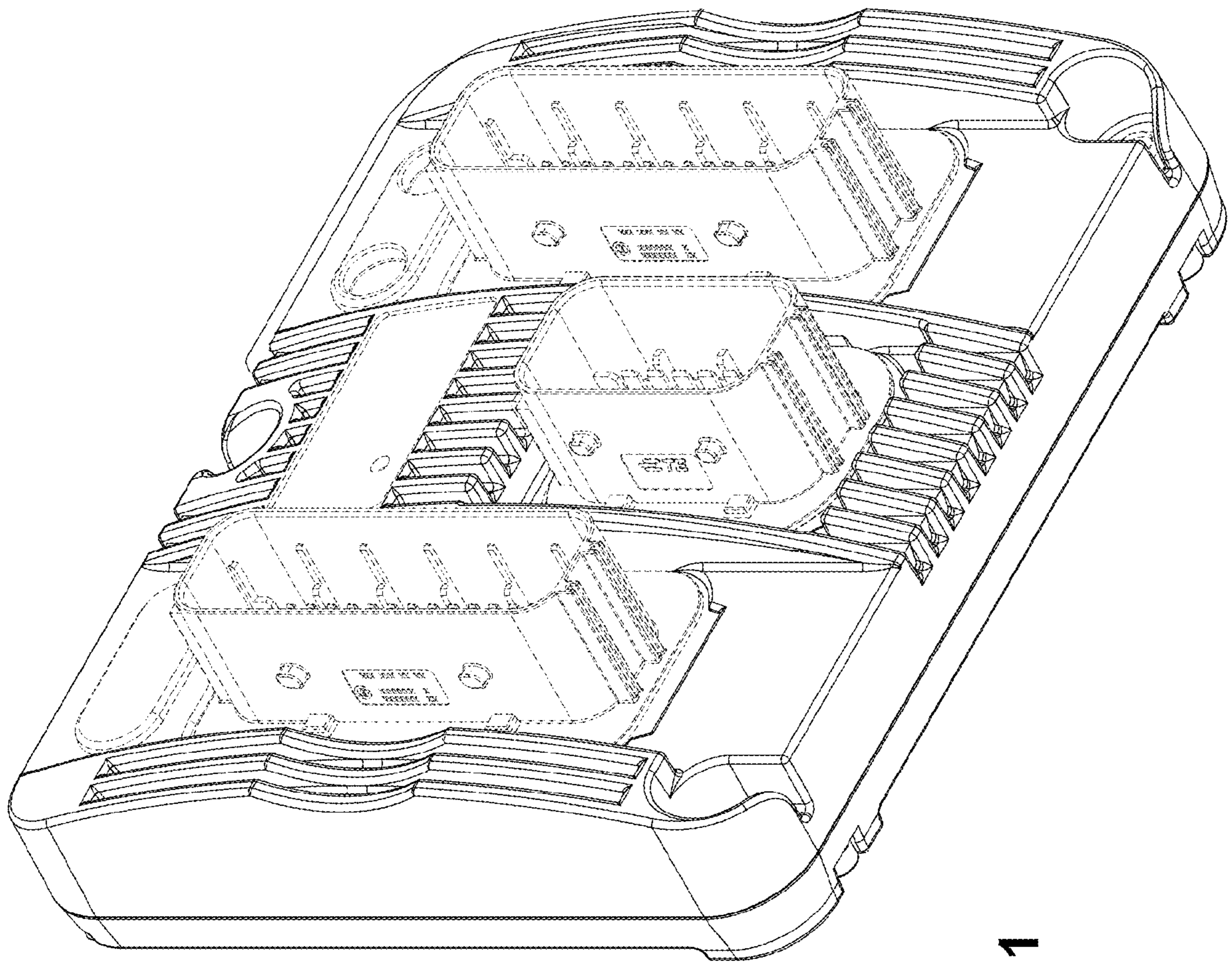
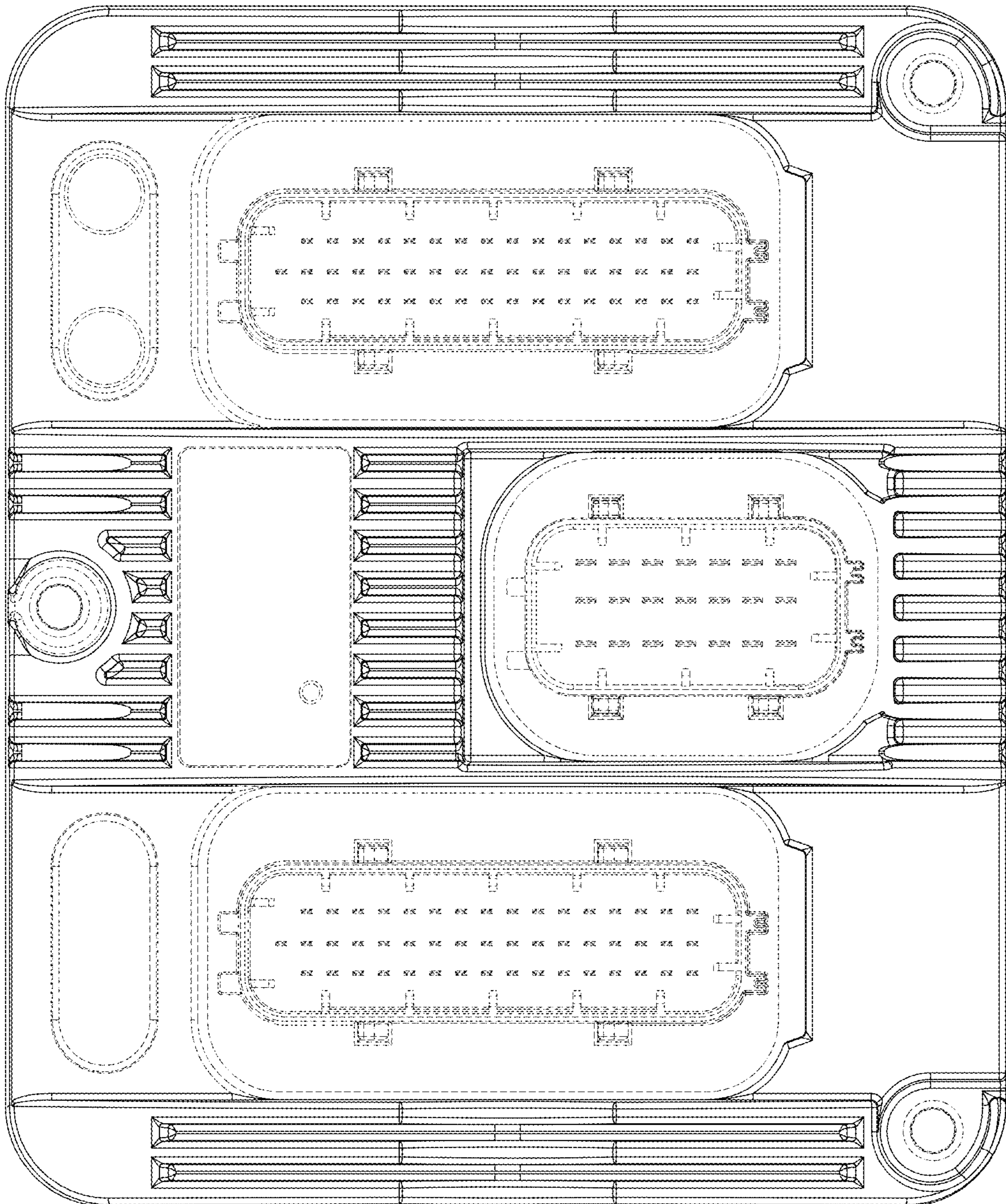


FIG. 1

FIG. 2



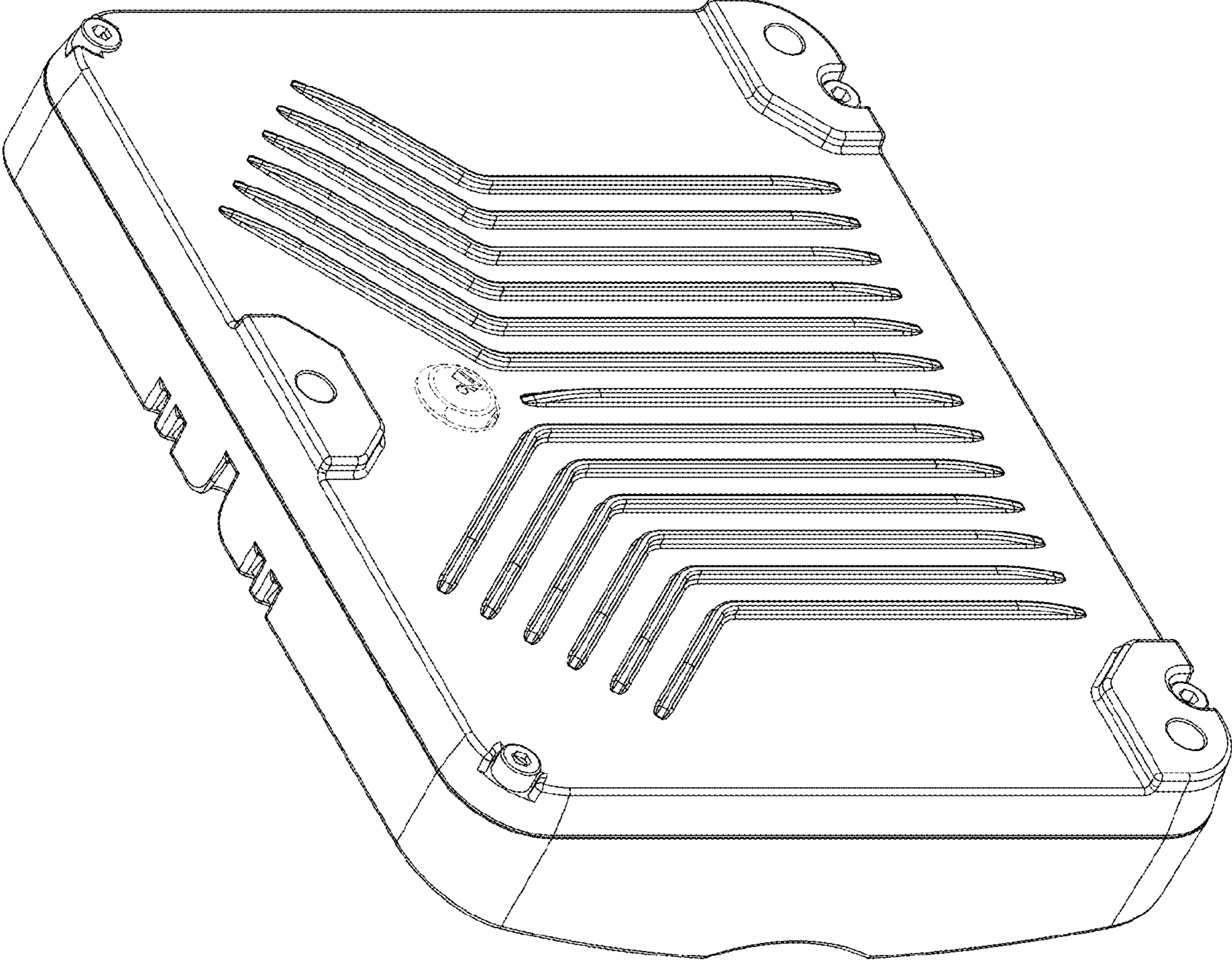
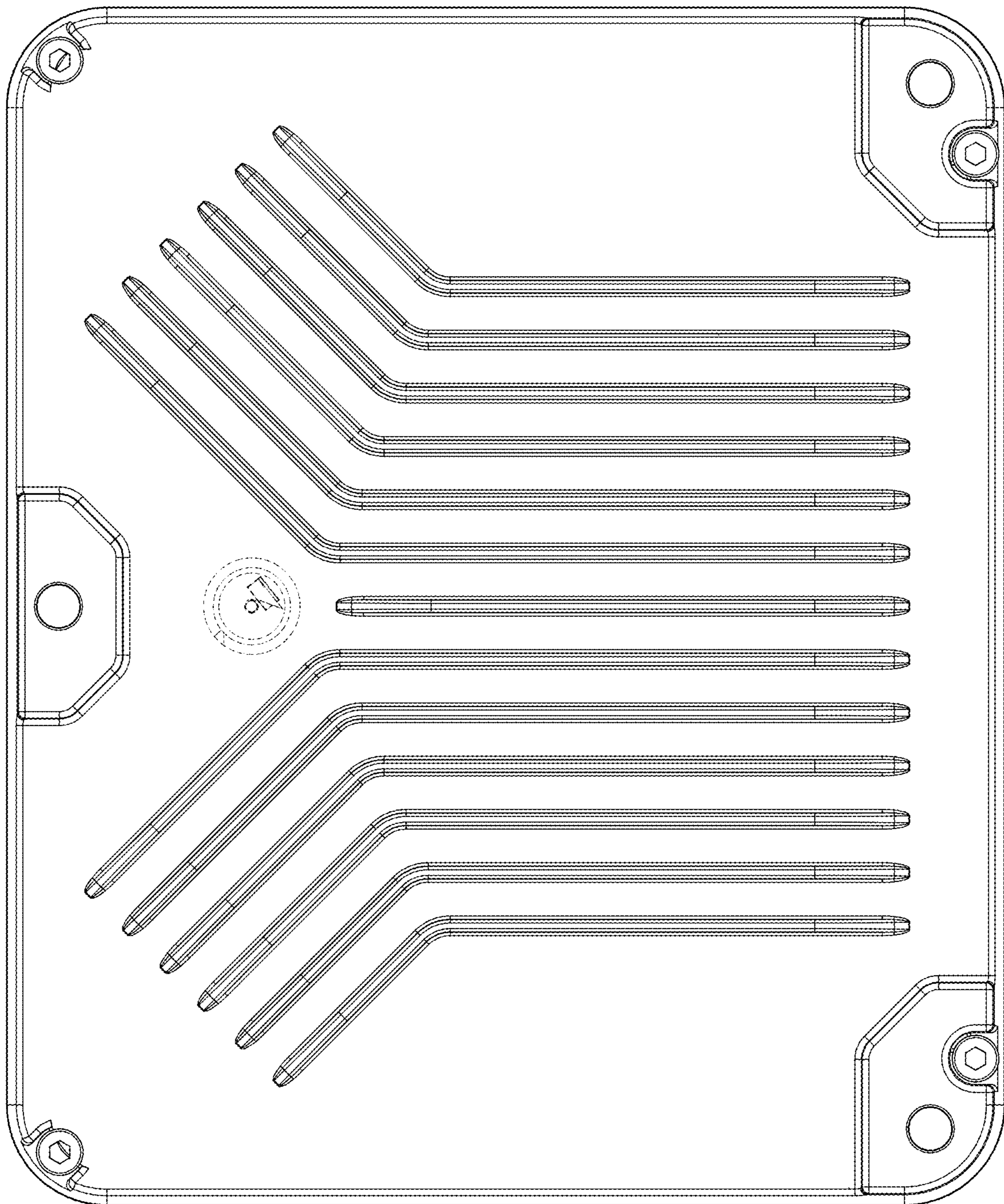


FIG. 3

FIG. 4



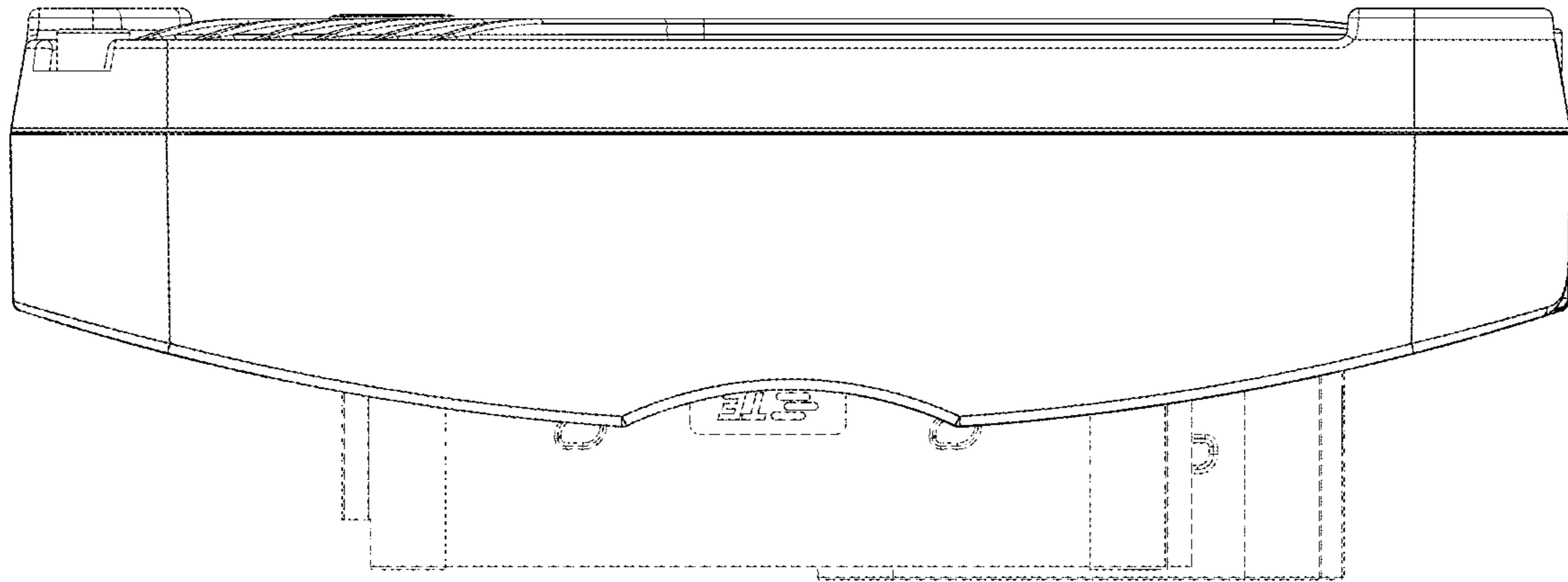


FIG. 6

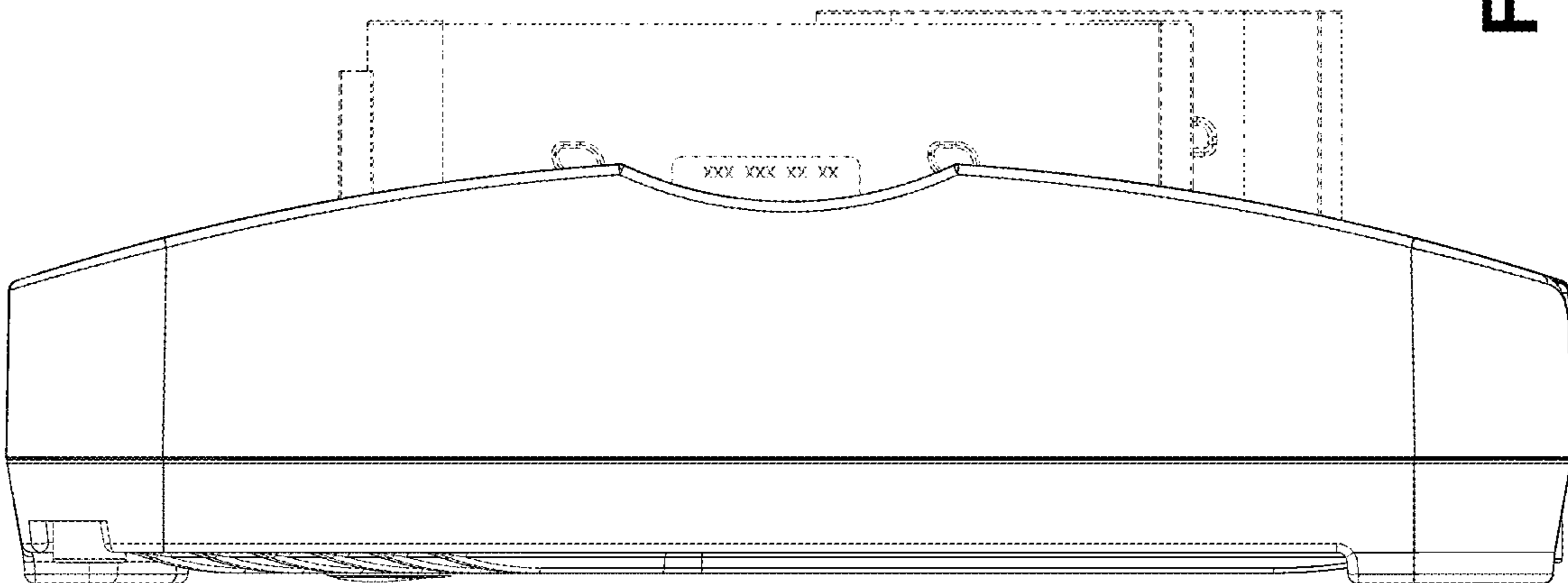


FIG. 5

FIG. 7

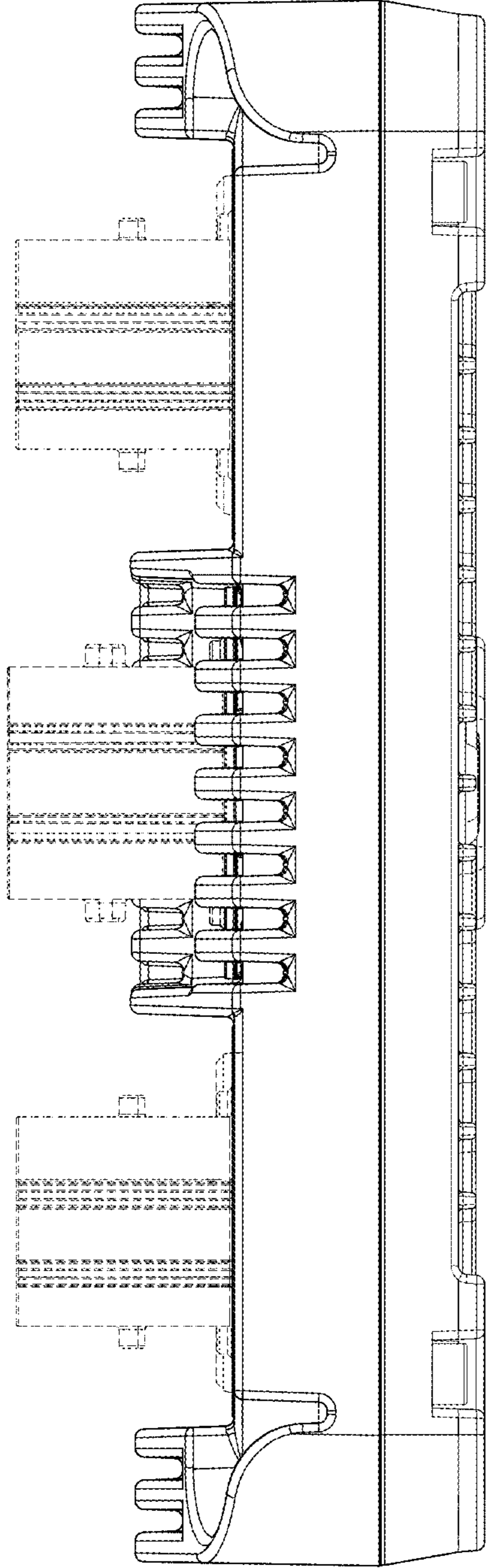


FIG. 8

