

US00D937840S

(12) **United States Design Patent** (10) **Patent No.:** **US D937,840 S**  
**Wu** (45) **Date of Patent:** **\*\* Dec. 7, 2021**

(54) **DOCKING STATION**  
(71) Applicant: **Shihong Wu**, Liuzhou (CN)  
(72) Inventor: **Shihong Wu**, Liuzhou (CN)  
(73) Assignee: **Jiangxi Kingtron Technology Co., Ltd.**, Ganzhou (CN)  
(\*\*) Term: **15 Years**  
(21) Appl. No.: **29/768,624**  
(22) Filed: **Jan. 30, 2021**  
(51) **LOC (13) Cl.** ..... **14-02**  
(52) **U.S. Cl.**  
USPC ..... **D14/434**  
(58) **Field of Classification Search**  
USPC ... D14/434, 432, 433, 435, 435.1, 356, 357,  
D14/358, 251-253, 217, 299, 496, 169,  
D14/125, 240, 348, 365, 363, 300, 301,  
D14/302, 314; D13/103, 107, 108, 184,  
D13/110, 123, 133, 135, 179; D21/324,  
D21/332, 333  
CPC ..... G06F 1/16; G06F 1/1632; G06F 1/266;  
G06F 13/00; G06F 13/38; G06F 13/382;  
G06F 13/385; G06F 13/387; G06F 3/065;  
G06F 9/541; G06F 2213/3814; G06F  
2213/40; G06F 2213/4004  
See application file for complete search history.

(56) **References Cited**  
U.S. PATENT DOCUMENTS  
D295,862 S \* 5/1988 Yonekura ..... D14/125  
D330,702 S \* 11/1992 Hutton ..... D13/184  
D353,372 S \* 12/1994 Delhaes ..... D13/108  
D365,808 S \* 1/1996 Alden ..... D14/432  
D368,265 S \* 3/1996 Fan ..... D14/256  
D377,008 S \* 12/1996 Nicklos ..... D14/368  
D389,810 S \* 1/1998 Brawne ..... D14/368  
D398,592 S \* 9/1998 Klinker ..... D14/436  
D405,433 S \* 2/1999 Avery ..... D14/442

D405,440 S \* 2/1999 Klinker ..... D14/436  
D426,201 S \* 6/2000 Klinker ..... D14/356  
D430,882 S \* 9/2000 Tsai ..... D14/434  
D436,955 S \* 1/2001 Wilson, Sr. .... D14/356  
D444,461 S \* 7/2001 Koken ..... D14/356  
D462,953 S \* 9/2002 Jang ..... D14/299  
D503,678 S \* 4/2005 Ho ..... D13/110  
D516,074 S \* 2/2006 Ho ..... D14/433  
D520,503 S \* 5/2006 Shimizu ..... D14/356  
D529,495 S \* 10/2006 Kent ..... D14/434  
D562,814 S \* 2/2008 Liu ..... D14/240  
D581,928 S \* 12/2008 Tsuchiya ..... D14/363  
D599,345 S \* 9/2009 Ko ..... D14/356

(Continued)

**OTHER PUBLICATIONS**

UtechSmart USB C Docking Station. (Online) 15 pgs. Available Mar. 27, 2019. [Retrieved Apr. 26, 2021] <https://www.amazon.com/UtechSmart-Ethernet-Delivery-Compatible-ChromeBook/dp/B07Q56MW2M>.\*

(Continued)

*Primary Examiner* — Marie D. Fast Horse  
(74) *Attorney, Agent, or Firm* — Justin Lampel

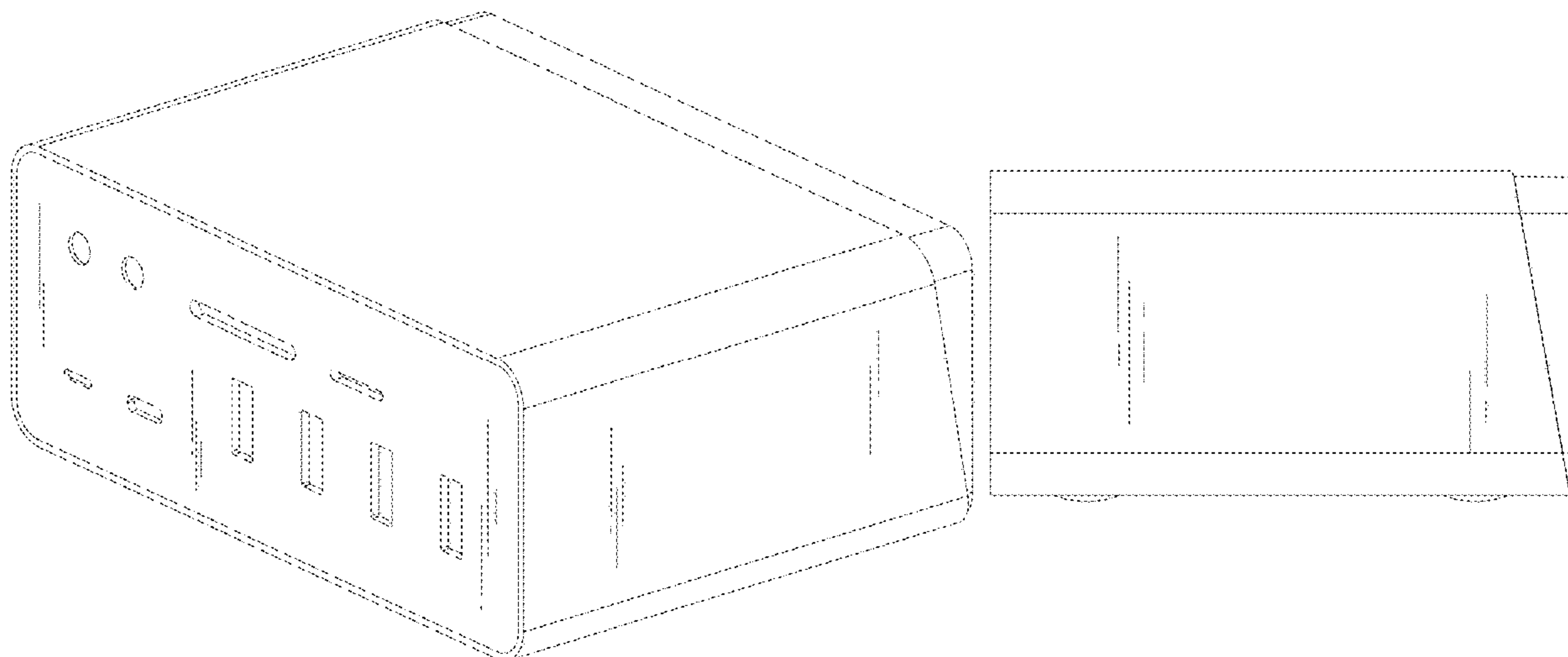
(57) **CLAIM**

The ornamental design for a docking station, as shown and described.

**DESCRIPTION**

FIG. 1 is a perspective view of a docking station showing the claimed design;  
FIG. 2 is a top plan view thereof;  
FIG. 3 is a rear devotional view thereof;  
FIG. 4 is a bottom plan view thereof;  
FIG. 5 is a right side view thereof;  
FIG. 6 is a front devotional view thereof; and,  
FIG. 7 is a left side view thereof.  
The broken lines in the drawings depict portions of the docking station that form no part of the claimed design.

**1 Claim, 7 Drawing Sheets**



(56)

References Cited

U.S. PATENT DOCUMENTS

D606,066 S \* 12/2009 Lee ..... D14/301  
 D641,741 S \* 7/2011 Behar ..... D14/242  
 D649,541 S \* 11/2011 Morenstein ..... D14/314  
 D689,484 S \* 9/2013 Kuo ..... D14/358  
 D705,719 S \* 5/2014 Wong ..... D13/103  
 D709,489 S \* 7/2014 Chen ..... D14/314  
 D719,862 S \* 12/2014 Fiedler ..... D10/106.95  
 D721,738 S \* 1/2015 Hochman ..... D14/496  
 D739,405 S \* 9/2015 Razdan ..... D14/365  
 D740,828 S \* 10/2015 Bucsa ..... D14/433  
 D744,483 S \* 12/2015 Barbu ..... D14/358  
 D756,943 S \* 5/2016 Epstein ..... D13/184  
 D763,262 S \* 8/2016 Hallar ..... D14/434  
 D764,460 S \* 8/2016 Veja ..... D14/358  
 D768,129 S \* 10/2016 Chen ..... D14/356  
 D768,832 S \* 10/2016 Buettner ..... D23/318  
 D773,991 S \* 12/2016 Liu ..... D13/107  
 D779,455 S \* 2/2017 Balcerzak ..... D14/172  
 D779,493 S \* 2/2017 Eliyahu ..... D14/434  
 D780,137 S \* 2/2017 Tallqvist ..... D14/358  
 D790,458 S \* 6/2017 He ..... D13/108  
 D795,876 S \* 8/2017 Fletcher ..... D14/434  
 D815,610 S \* 4/2018 Lee ..... D14/125  
 D816,648 S \* 5/2018 Kwak ..... D14/358  
 D819,632 S \* 6/2018 Lin ..... D14/358  
 D820,798 S \* 6/2018 Yurusov ..... D14/125  
 D829,718 S \* 10/2018 Fletcher ..... D14/434  
 D859,415 S \* 9/2019 Liao ..... D14/434  
 D864,206 S \* 10/2019 Wang ..... D14/433  
 D879,780 S \* 3/2020 Liao ..... D14/434  
 D883,984 S \* 5/2020 Zhang ..... D14/433  
 D883,985 S \* 5/2020 Zhang ..... D14/433

D884,707 S 5/2020 Zhang  
 D900,110 S \* 10/2020 Wu ..... D14/433  
 D902,852 S \* 11/2020 Lin ..... D13/108  
 D903,665 S \* 12/2020 Yoon ..... D14/349  
 D907,635 S \* 1/2021 Xie ..... D14/433  
 D910,715 S \* 2/2021 Li ..... D14/496  
 D914,023 S \* 3/2021 Yang ..... D14/434  
 D926,188 S \* 7/2021 Zhang ..... D14/433  
 2003/0216069 A1\* 11/2003 Huang ..... G06F 1/266  
 439/105  
 2019/0171603 A1\* 6/2019 Wu ..... G06F 13/4045  
 2021/0019271 A1\* 1/2021 Eun ..... G06F 1/26

OTHER PUBLICATIONS

HyperDrive USB C Docking Station. (Online) 15 pgs. Available Nov. 4, 2020. [Retrieved Apr. 27, 2021] [https://www.amazon.com/HyperDrive-Docking-Station-Triple-Monitor/dp/B08HLL3M17?ref=ast\\_sto\\_dp](https://www.amazon.com/HyperDrive-Docking-Station-Triple-Monitor/dp/B08HLL3M17?ref=ast_sto_dp).\*

4URPC MacBook Pro Docking Station. (Online) 12 pgs. Available Oct. 10, 2020. [Retrieved Apr. 27, 2021] [https://www.amazon.com/4URPC-MacBook-Docking-Station-Monitor/dp/B08K2P634G/ref=sr\\_1\\_6?dchild=1&keywords=4URPC&qid=1619537864&sr=8-6](https://www.amazon.com/4URPC-MacBook-Docking-Station-Monitor/dp/B08K2P634G/ref=sr_1_6?dchild=1&keywords=4URPC&qid=1619537864&sr=8-6).\*

WAVLINK USB C Docking Station. (Online) 16 pgs. Available Sep. 19, 2016. [Retrieved Apr. 27, 2021] [https://www.amazon.com/WAVLINK-Universal-Ethernet-Ultrabook-Notebooks-Black/dp/B01LX8LQ8Y?ref=ast\\_sto\\_dp](https://www.amazon.com/WAVLINK-Universal-Ethernet-Ultrabook-Notebooks-Black/dp/B01LX8LQ8Y?ref=ast_sto_dp).\*

Docking Stations. (Design—© Questel) orbit.com. [online PDF of Foreign references] 74 pgs. Print Dates range May 22, 2020-Jun. 8, 2021. [Retrieved Jul. 30, 2021] <https://www.orbit.com/export/QPTUJ214/pdf2/3ddc4138-add1-4430-bb03-001017596d93-175809.pdf>.\*

\* cited by examiner

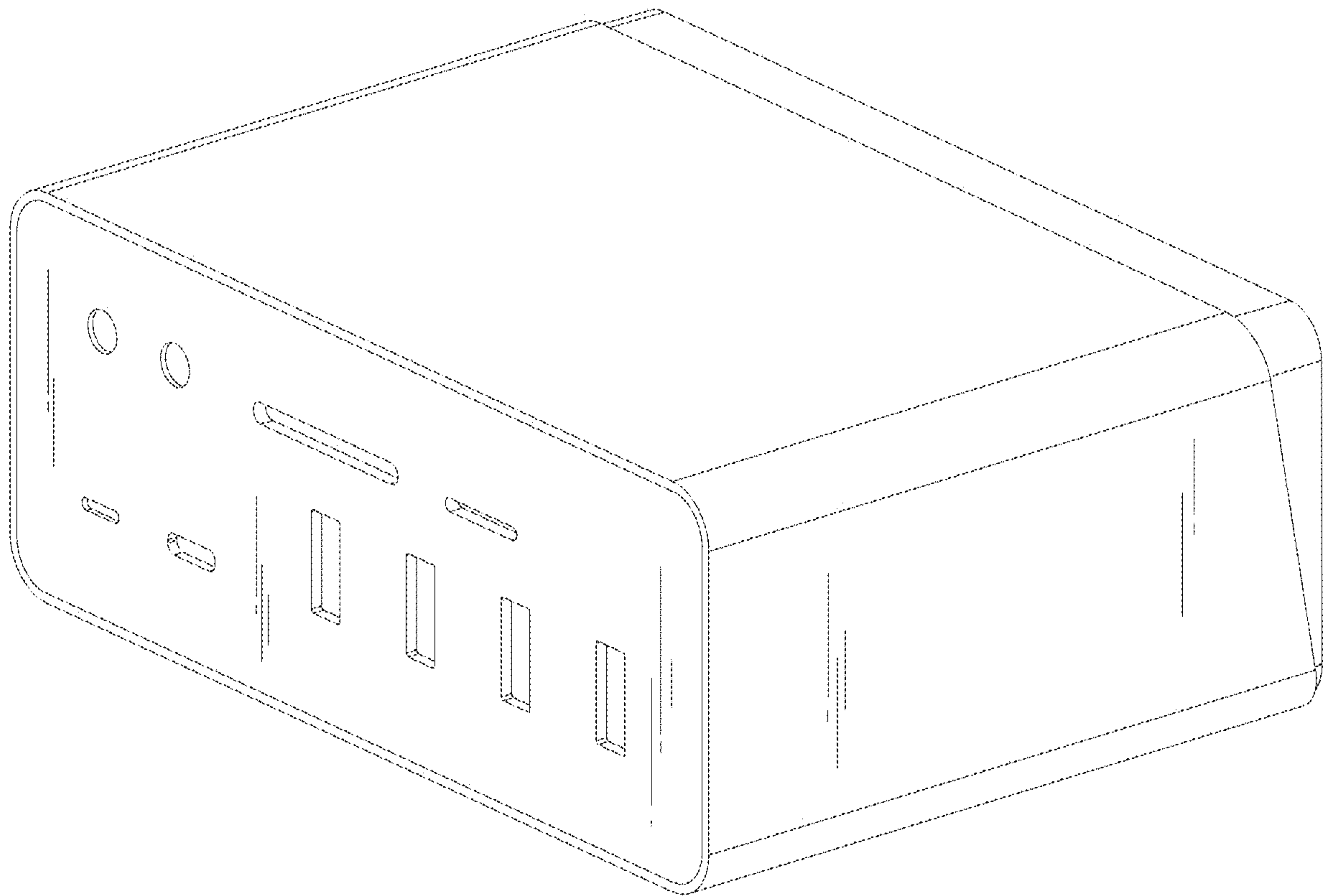


FIG.1



FIG. 2

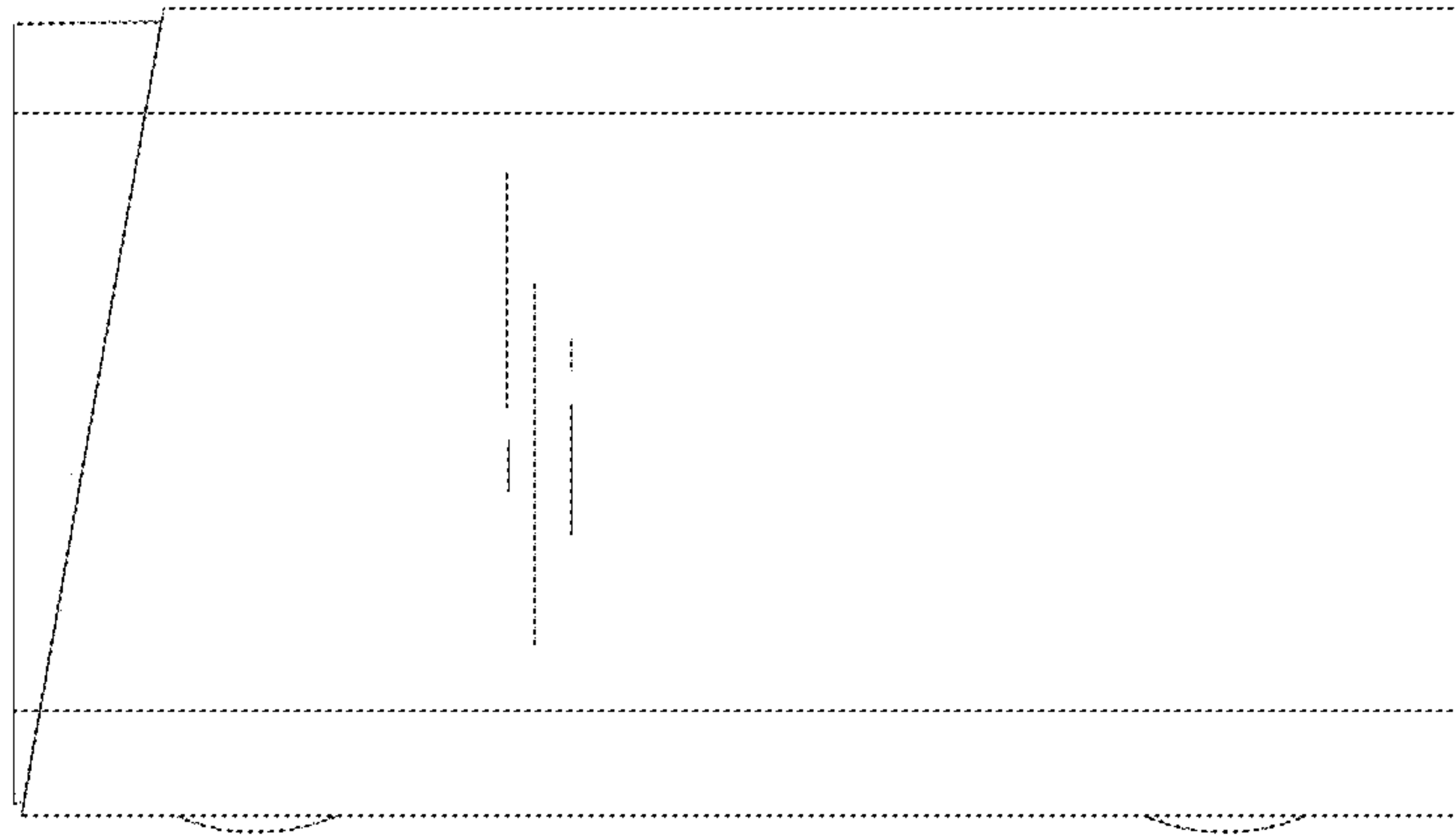


FIG.3

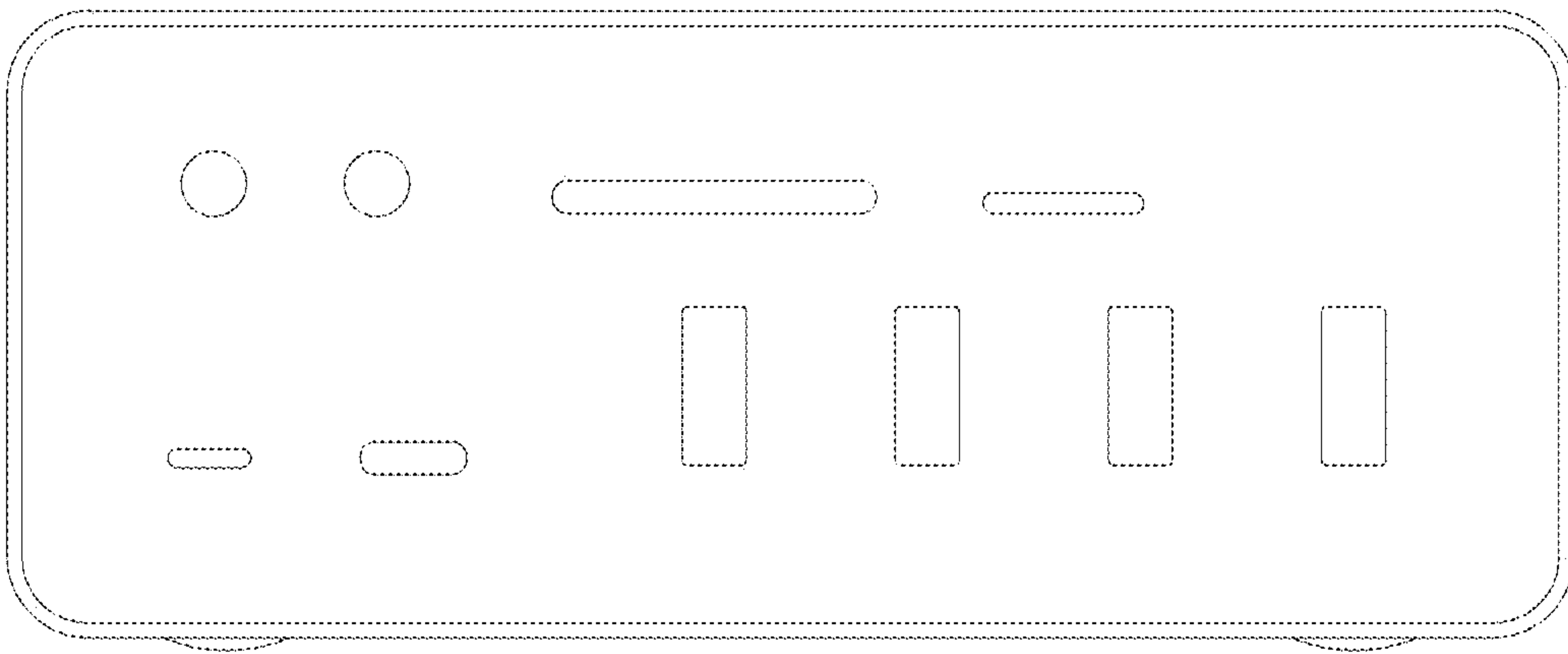


FIG. 4





FIG.5

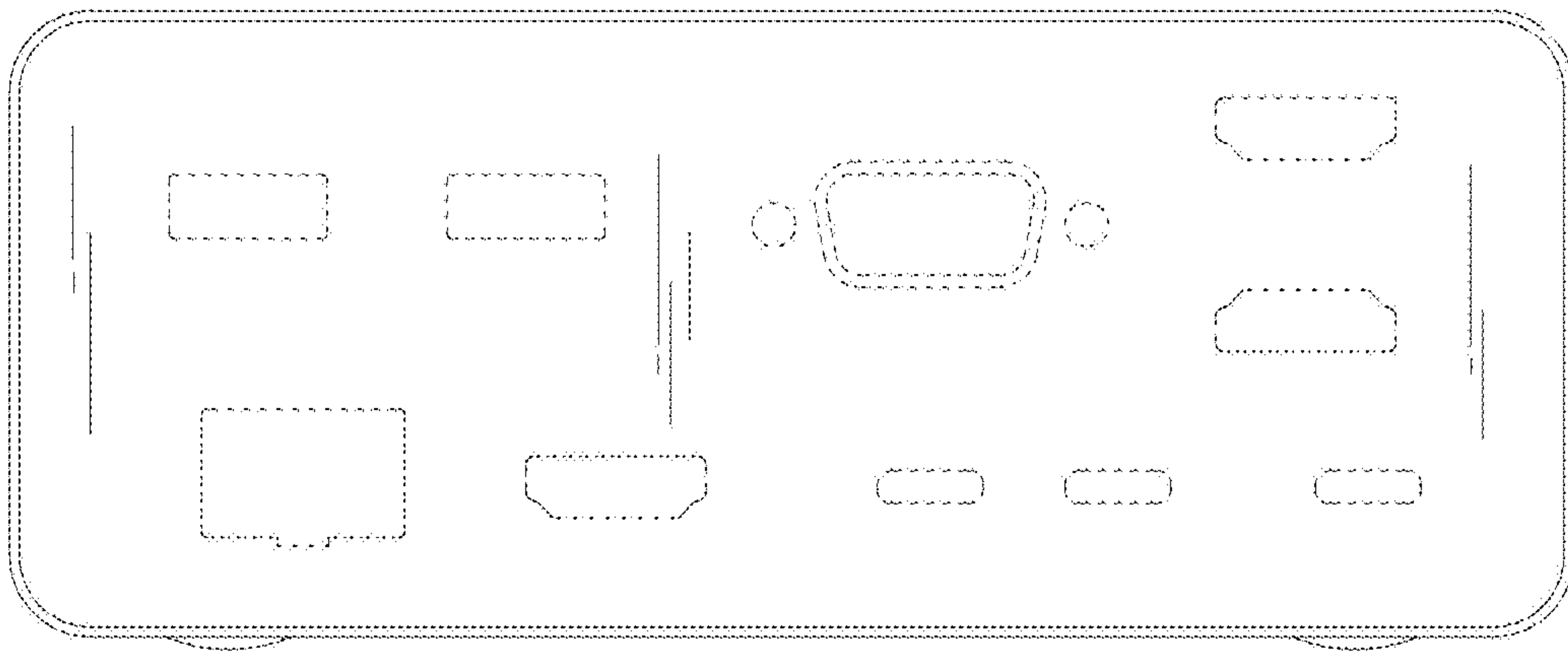


FIG. 6



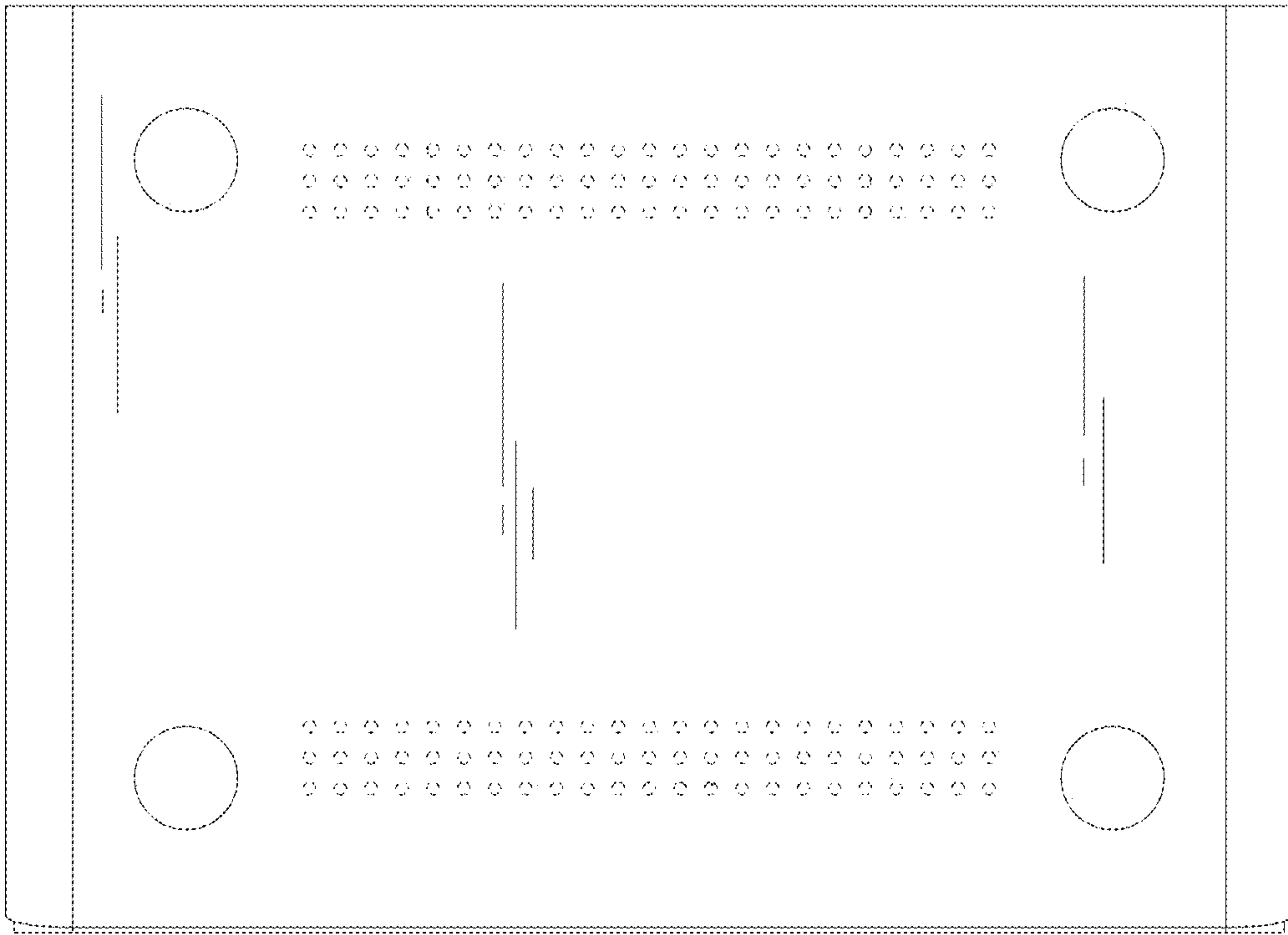


FIG. 7