



US00D937839S

(12) **United States Design Patent** (10) **Patent No.:** **US D937,839 S**
Wu (45) **Date of Patent:** **** Dec. 7, 2021**

(54) **DOCKING STATION**
(71) Applicant: **Shihong Wu**, Liuzhou (CN)
(72) Inventor: **Shihong Wu**, Liuzhou (CN)
(73) Assignee: **Jiangxi Kingtron Technology Co., Ltd.**, Ganzhou (CN)
(**) Term: **15 Years**
(21) Appl. No.: **29/768,623**
(22) Filed: **Jan. 30, 2021**
(51) **LOC (13) Cl.** **14-02**
(52) **U.S. Cl.**
USPC **D14/434**
(58) **Field of Classification Search**
USPC ... D14/434, 432, 433, 435, 435.1, 356, 357, D14/358, 251-253, 217, 299, 496, 169, D14/125, 240, 348, 365, 363, 300, 301, D14/302, 314; D13/103, 107, 108, 184, D13/110, 123, 133, 135, 179; D21/324, D21/332, 333
CPC G06F 1/16; G06F 1/1632; G06F 1/266; G06F 13/00; G06F 13/38; G06F 13/382; G06F 13/385; G06F 13/387; G06F 3/065; G06F 9/541; G06F 2213/3814; G06F 2213/40; G06F 2213/4004
See application file for complete search history.

(56) **References Cited**
U.S. PATENT DOCUMENTS
D295,862 S * 5/1988 Yonekura D14/125
D330,702 S * 11/1992 Hutton D13/184
D353,372 S * 12/1994 Delhaes D13/108
D365,808 S * 1/1996 Alden D14/432
D368,265 S * 3/1996 Fan D14/256
D377,008 S * 12/1996 Nicklos D14/368
D389,810 S * 1/1998 Brawne D14/368
D398,592 S * 9/1998 Klinker D14/436
D405,433 S * 2/1999 Avery D14/442

D405,440 S * 2/1999 Klinker D14/436
D426,201 S * 6/2000 Klinker D14/356
D430,882 S * 9/2000 Tsai D14/434
D436,955 S * 1/2001 Wilson, Sr. D14/356
D444,461 S * 7/2001 Koken D14/356
D462,953 S * 9/2002 Jang D14/299
D503,678 S * 4/2005 Ho D13/110
D516,074 S * 2/2006 Ho D14/433
D520,503 S * 5/2006 Shimizu D14/356
D529,495 S * 10/2006 Kent D14/434
D562,814 S * 2/2008 Liu D14/240
D581,928 S * 12/2008 Tsuchiya D14/363
D599,345 S * 9/2009 Ko D14/356

(Continued)

OTHER PUBLICATIONS

UtechSmart USB C Docking Station. (Online) 15 pgs. Available Mar. 27, 2019. [Retrieved Apr. 26, 2021] <https://www.amazon.com/UtechSmart-Ethernet-Delivery-Compatible-ChromeBook/dp/B07Q56MW2M>.*

(Continued)

Primary Examiner — Marie D. Fast Horse
(74) *Attorney, Agent, or Firm* — Justin Lampel

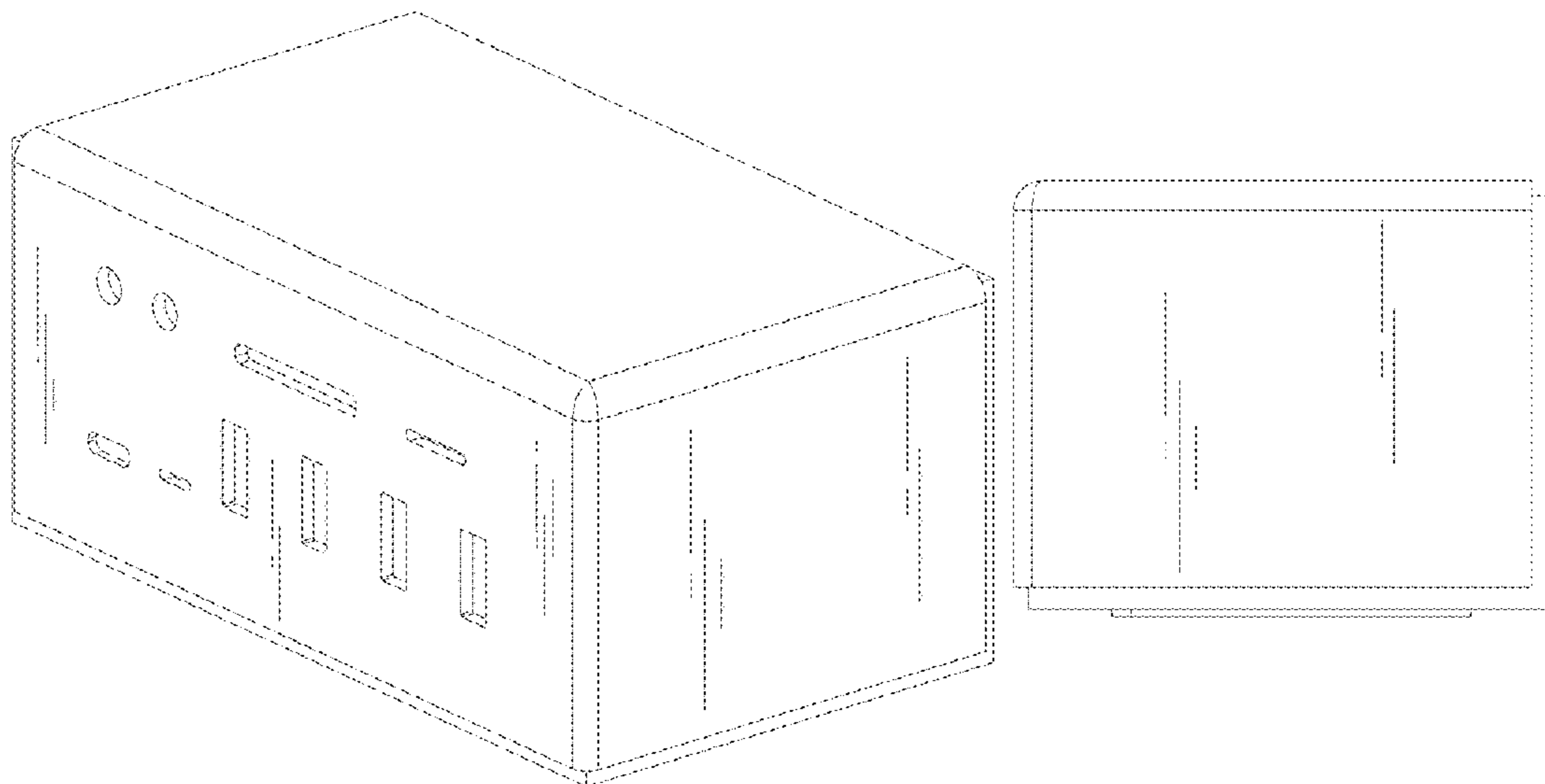
(57) **CLAIM**

The ornamental design for a docking station, as shown and described.

DESCRIPTION

FIG. 1 is a perspective view of a docking station showing the claimed design;
FIG. 2 is a top plan view thereof;
FIG. 3 is a rear elevational view thereof;
FIG. 4 is a bottom plan view thereof;
FIG. 5 is a right side view thereof;
FIG. 6 is a front elevational view thereof; and,
FIG. 7 is a left side view thereof.
The broken lines in the drawings depict portions of the docking station that form no part of the claimed design.

1 Claim, 7 Drawing Sheets



(56)

References Cited

U.S. PATENT DOCUMENTS

D606,066 S * 12/2009 Lee D14/301
 D641,741 S * 7/2011 Behar D14/242
 D649,541 S * 11/2011 Morenstein D14/314
 D689,484 S * 9/2013 Kuo D14/358
 D705,719 S * 5/2014 Wong D13/103
 D709,489 S * 7/2014 Chen D14/314
 D719,862 S * 12/2014 Fiedler D10/106.95
 D721,738 S * 1/2015 Hochman D14/496
 D739,405 S * 9/2015 Razdan D14/365
 D740,828 S * 10/2015 Bucsa D14/433
 D744,483 S * 12/2015 Barbu D14/358
 D756,943 S * 5/2016 Epstein D13/184
 D763,262 S * 8/2016 Hallar D14/434
 D764,460 S * 8/2016 Veja D14/358
 D768,129 S * 10/2016 Chen D14/356
 D768,832 S * 10/2016 Buettner D23/318
 D773,991 S * 12/2016 Liu D13/107
 D779,455 S * 2/2017 Balcerzak D14/172
 D779,493 S * 2/2017 Eliyahu D14/434
 D780,137 S * 2/2017 Tallqvist D14/358
 D790,458 S * 6/2017 He D13/108
 D795,876 S * 8/2017 Fletcher D14/434
 D815,610 S * 4/2018 Lee D14/125
 D816,648 S * 5/2018 Kwak D14/358
 D819,632 S * 6/2018 Lin D14/358
 D820,798 S * 6/2018 Yurusov D14/125
 D829,718 S * 10/2018 Fletcher D14/434
 D859,415 S * 9/2019 Liao D14/434
 D864,206 S * 10/2019 Wang D14/433
 D879,780 S * 3/2020 Liao D14/434
 D883,984 S * 5/2020 Zhang D14/433
 D883,985 S * 5/2020 Zhang D14/433

D884,707 S 5/2020 Zhang
 D900,110 S * 10/2020 Wu D14/433
 D902,852 S * 11/2020 Lin D13/108
 D903,665 S * 12/2020 Yoon D14/349
 D907,635 S * 1/2021 Xie D14/433
 D910,715 S * 2/2021 Li D14/496
 D914,023 S * 3/2021 Yang D14/434
 D926,188 S * 7/2021 Zhang D14/433
 2003/0216069 A1* 11/2003 Huang G06F 1/266
 439/105
 2019/0171603 A1* 6/2019 Wu G06F 13/4045
 2021/0019271 A1* 1/2021 Eun G06F 1/26

OTHER PUBLICATIONS

HyperDrive USB C Docking Station. (Online) 15 pgs. Available Nov. 4, 2020. [Retrieved Apr. 27, 2021] https://www.amazon.com/HyperDrive-Docking-Station-Triple-Monitor/dp/B08HLL3M17?ref=ast_sto_dp.*

4URPC MacBook Pro Docking Station. (Online) 12 pgs. Available Oct. 10, 2020. [Retrieved Apr. 27, 2021] https://www.amazon.com/4URPC-MacBook-Docking-Station-Monitor/dp/B08K2P634G/ref=sr_1_6?dchild=1&keywords=4URPC&qid=1619537864&sr=8-6.*

Wavlink USB C Docking Station. (Online) 16 pgs. Available Sep. 19, 2016. [Retrieved Apr. 27, 2021] https://www.amazon.com/WAVLINK-Universal-Ethernet-Ultrabook-Notebooks-Black/dp/B01LX8LQ8Y?ref=ast_sto_dp.*

Docking Stations. (Design—© Questel) orbit.com. [online PDF of Foreign references] 74 pgs. Print Dates range May 22, 2020-Jun. 8, 2021. [Retrieved Jul. 30, 2021] <https://www.orbit.com/export/QPTUJ214/pdf2/3ddc4138-add1-4430-bb03-001017596d93-175809.pdf>.*

* cited by examiner

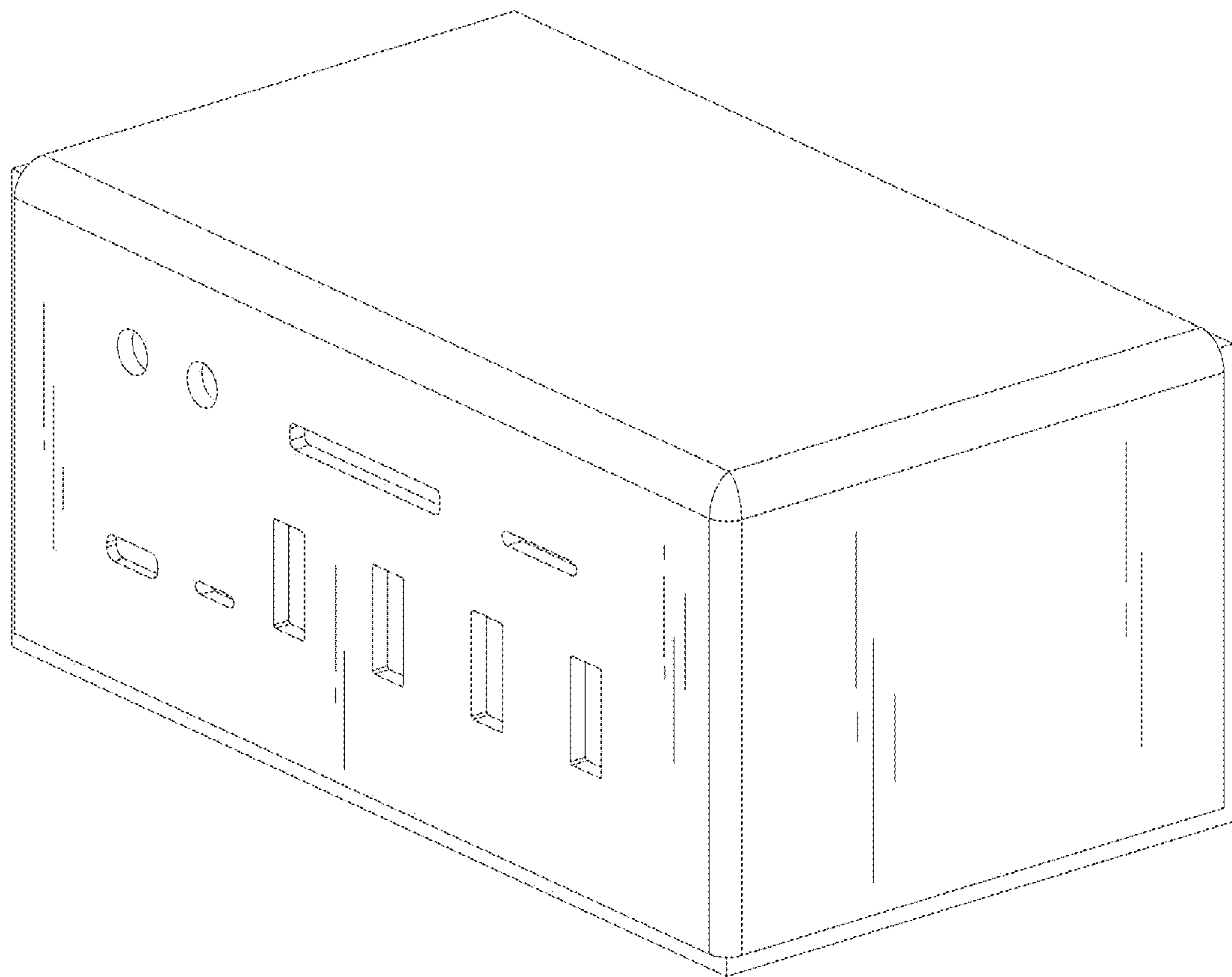


FIG.1

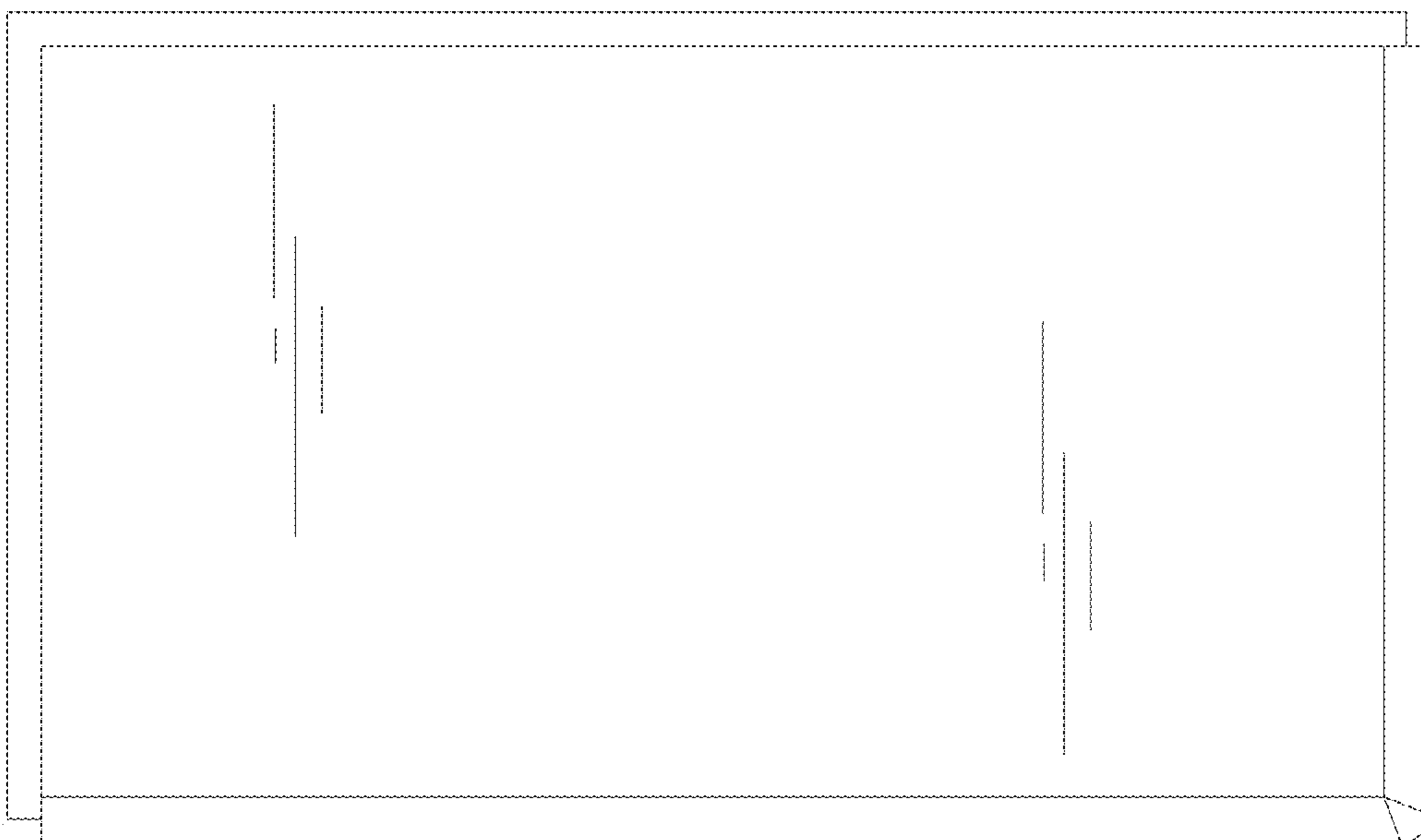


FIG.2

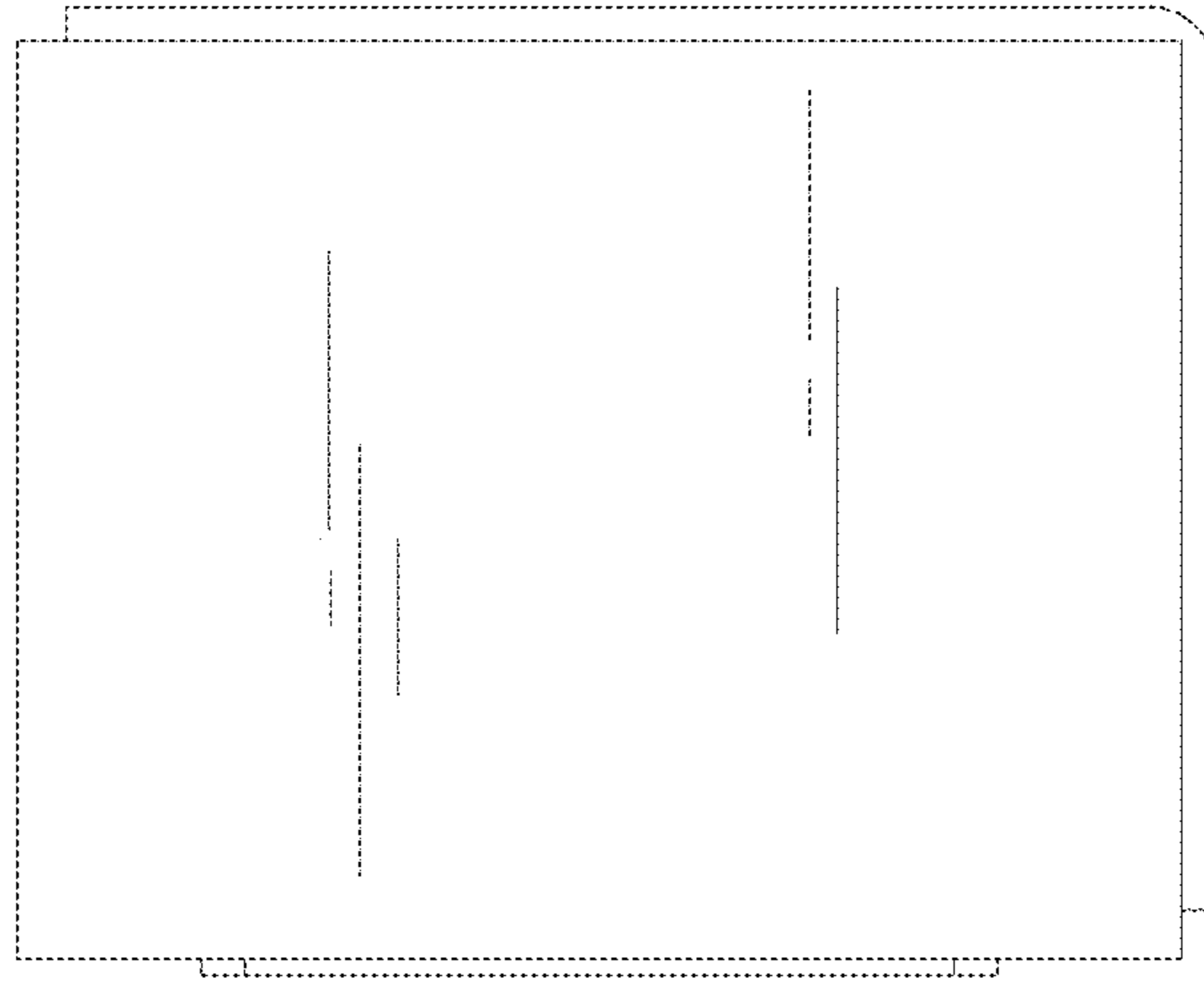


FIG.3

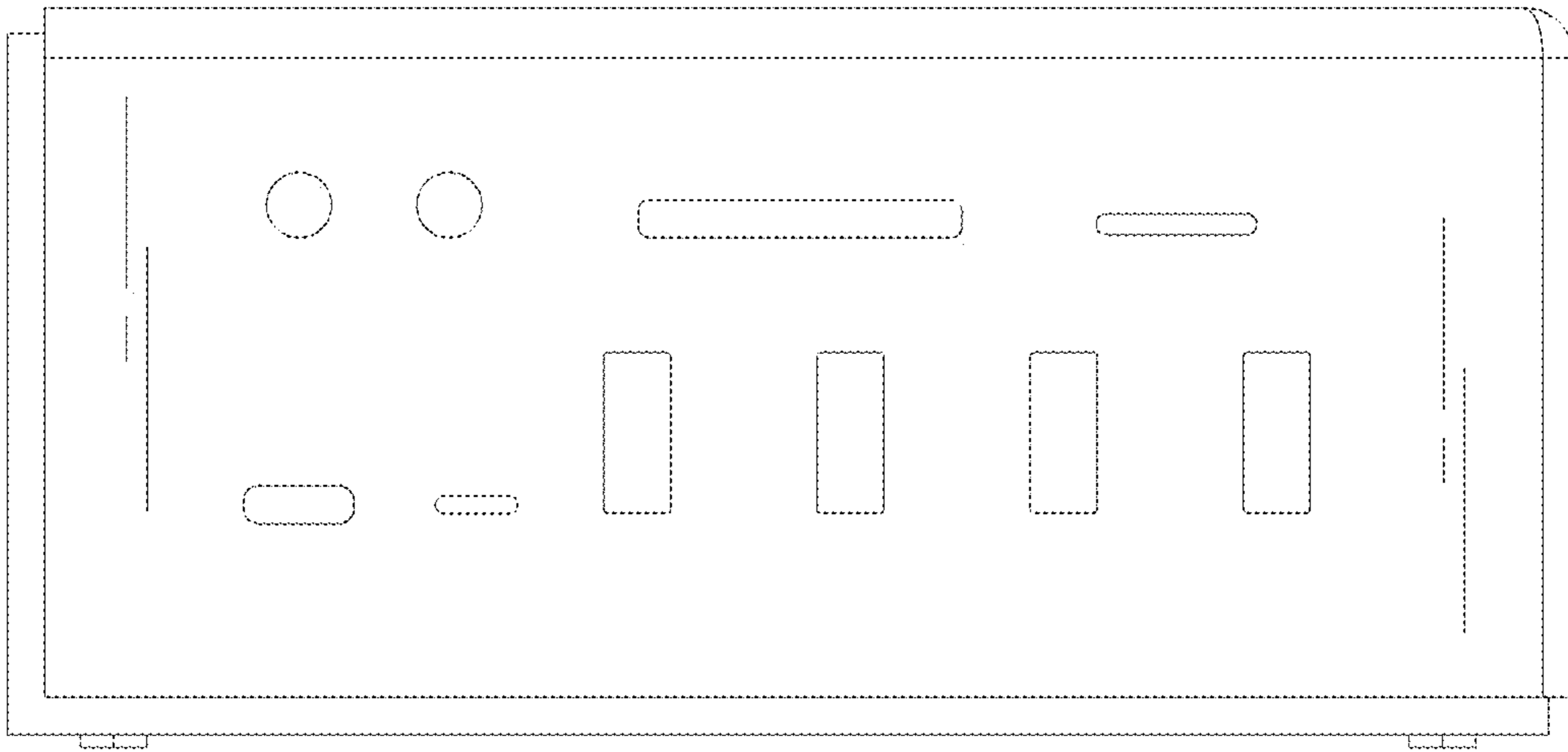


FIG. 4

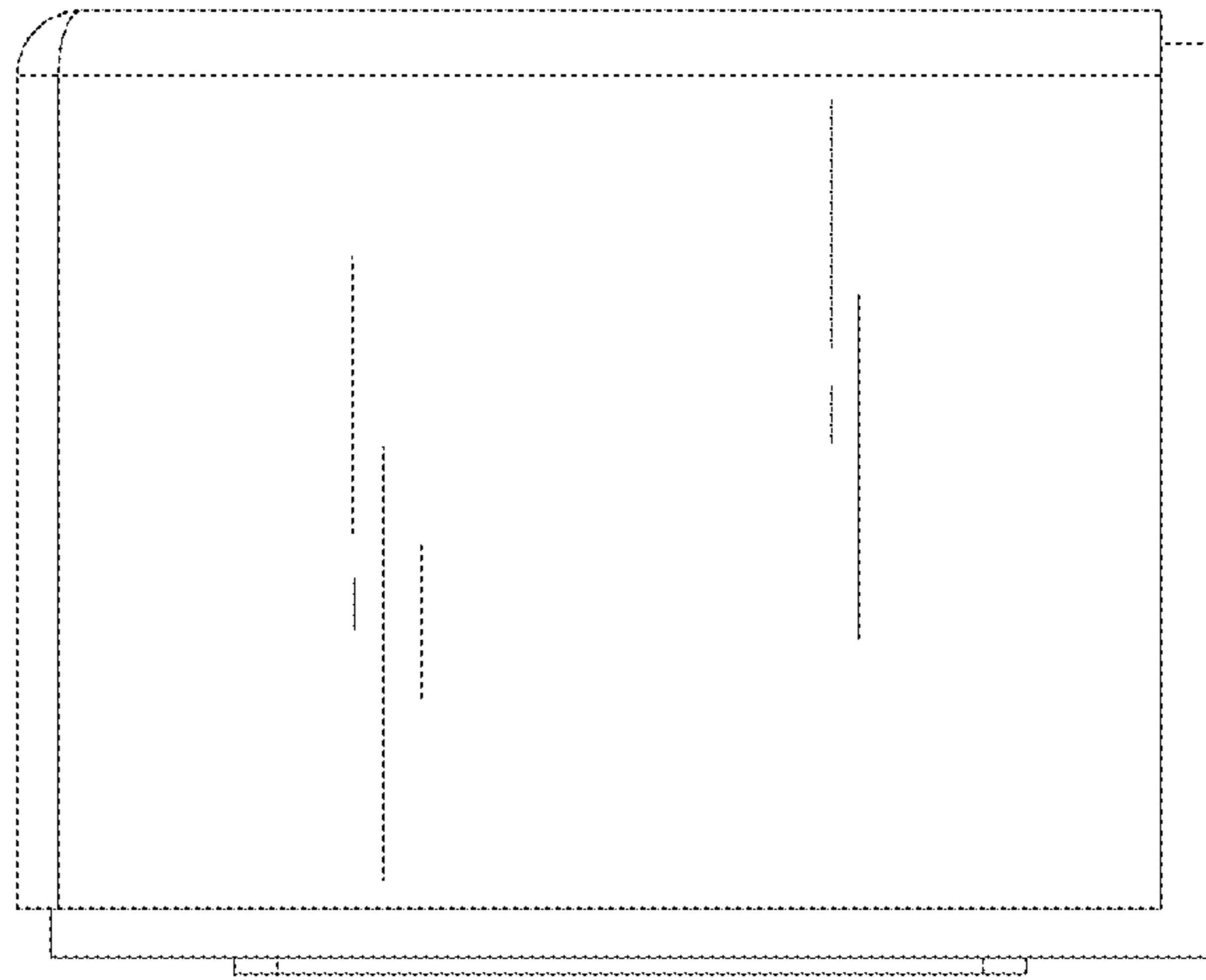


FIG. 5

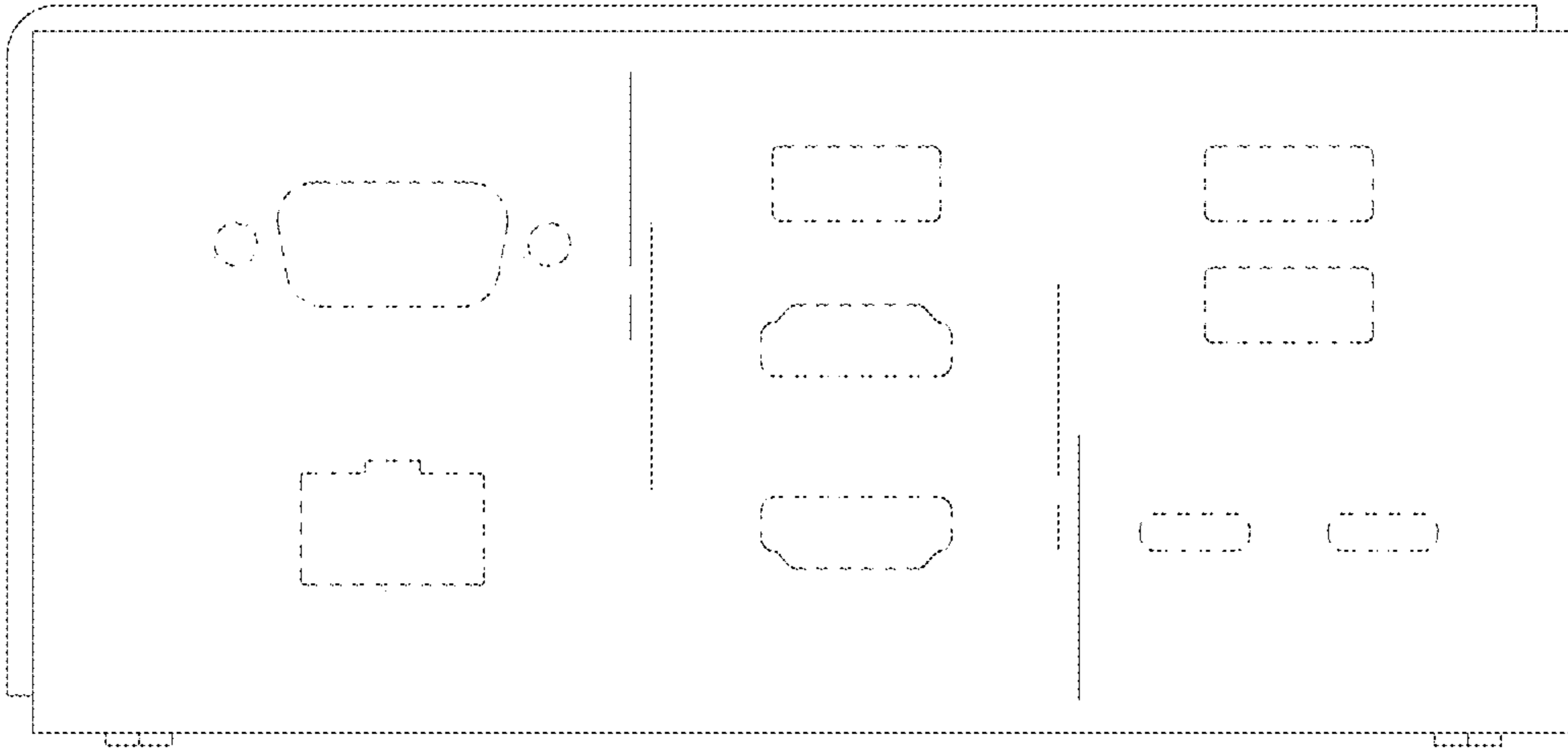


FIG. 6

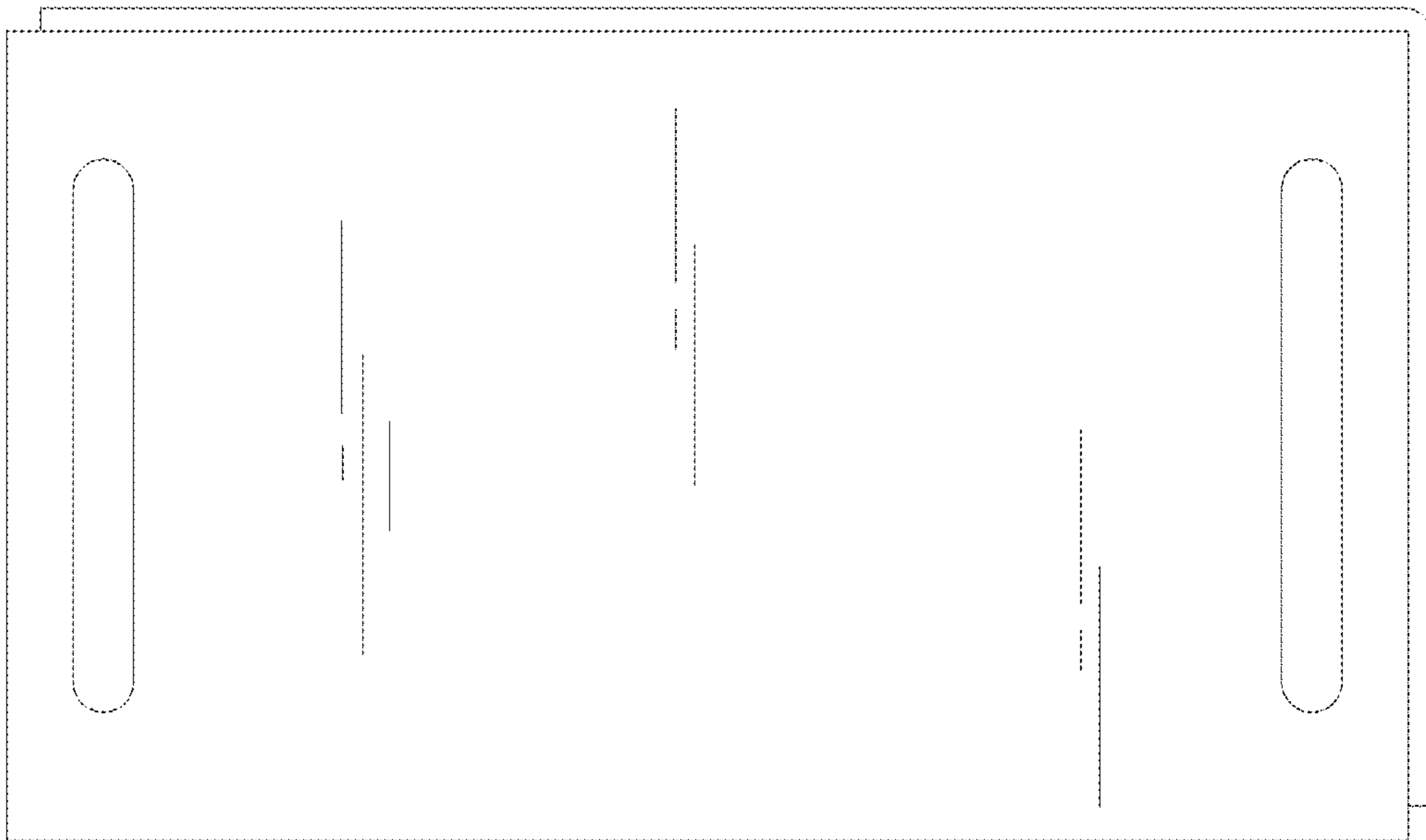


FIG. 7