



US00D937837S

(12) **United States Design Patent**
Jiang

(10) **Patent No.:** **US D937,837 S**

(45) **Date of Patent:** **** Dec. 7, 2021**

(54) **USB HUB**

(71) Applicant: **Shu Jiang**, Guangdong (CN)

(72) Inventor: **Shu Jiang**, Guangdong (CN)

(73) Assignee: **Shenzhen Colorii TECH Limited**,
Guangdong (CN)

(**) Term: **15 Years**

(21) Appl. No.: **29/719,497**

(22) Filed: **Jan. 6, 2020**

(51) **LOC (13) Cl.** **14-02**

(52) **U.S. Cl.**
USPC **D14/433**; D14/434

(58) **Field of Classification Search**
USPC ... D14/434, 432, 433, 435, 435.1, 356, 357,
D14/358, 251-253, 217, 299, 496, 169,
D14/385; D13/103, 107, 108, 184, 110,
D13/123, 133, 135, 179; D21/324, 332,
D21/333
CPC G06F 1/16; G06F 1/1632; G06F 1/266;
G06F 13/00; G06F 13/38; G06F 13/382;
G06F 13/385; G06F 13/387; G06F 3/065;
G06F 9/541; G06F 2213/3814; G06F
2213/40; G06F 2213/4004

See application file for complete search history.

(56) **References Cited**

U.S. PATENT DOCUMENTS

| | | | | | |
|------------|---|---------|--------|-------|---------|
| D800,730 S | * | 10/2017 | Liao | | D14/433 |
| D830,366 S | * | 10/2018 | Turksu | | D14/433 |
| D854,019 S | * | 7/2019 | Liao | | D14/434 |
| D854,544 S | * | 7/2019 | Liao | | D14/434 |
| D855,054 S | * | 7/2019 | Turksu | | D14/433 |
| D855,616 S | * | 8/2019 | Chin | | D14/433 |
| D862,473 S | * | 10/2019 | Liu | | D14/433 |
| D862,474 S | * | 10/2019 | Liu | | D14/433 |
| D864,208 S | * | 10/2019 | Duan | | D14/433 |
| D864,964 S | * | 10/2019 | Lyu | | D14/433 |

| | | | | | |
|------------|---|---------|--------|-------|---------|
| D864,967 S | * | 10/2019 | Liu | | D14/434 |
| D866,557 S | * | 11/2019 | Xiong | | D14/433 |
| D874,462 S | * | 2/2020 | Chin | | D14/433 |
| D876,439 S | * | 2/2020 | Turksu | | D14/433 |
| D878,373 S | * | 3/2020 | Zhang | | D14/433 |
| D879,780 S | * | 3/2020 | Liao | | D14/433 |
| D880,482 S | * | 4/2020 | Wang | | D14/433 |
| D881,192 S | * | 4/2020 | Ma | | D14/433 |
| D881,888 S | * | 4/2020 | Liao | | D14/433 |
| D882,577 S | * | 4/2020 | Liao | | D14/433 |
| D883,983 S | * | 5/2020 | Zhang | | D14/433 |

(Continued)

FOREIGN PATENT DOCUMENTS

| | | | |
|----|-----------|---|--------|
| CN | 305724388 | * | 4/2020 |
| CN | 306329033 | * | 2/2021 |

OTHER PUBLICATIONS

Satechi Aluminum Type-C Pro Hub Adapter for 2016 MacBook Pro 13 and 15, YouTube online, postdate May 10, 2017, URL: <https://www.youtube.com/watch?v=sTq9PorggHYe> , retrieved Aug. 26, 2021.*

Primary Examiner — Marie D. Fast Horse

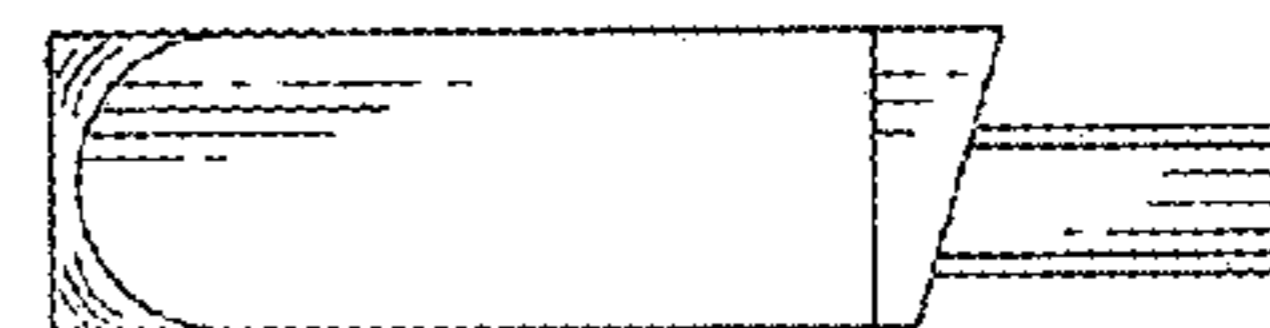
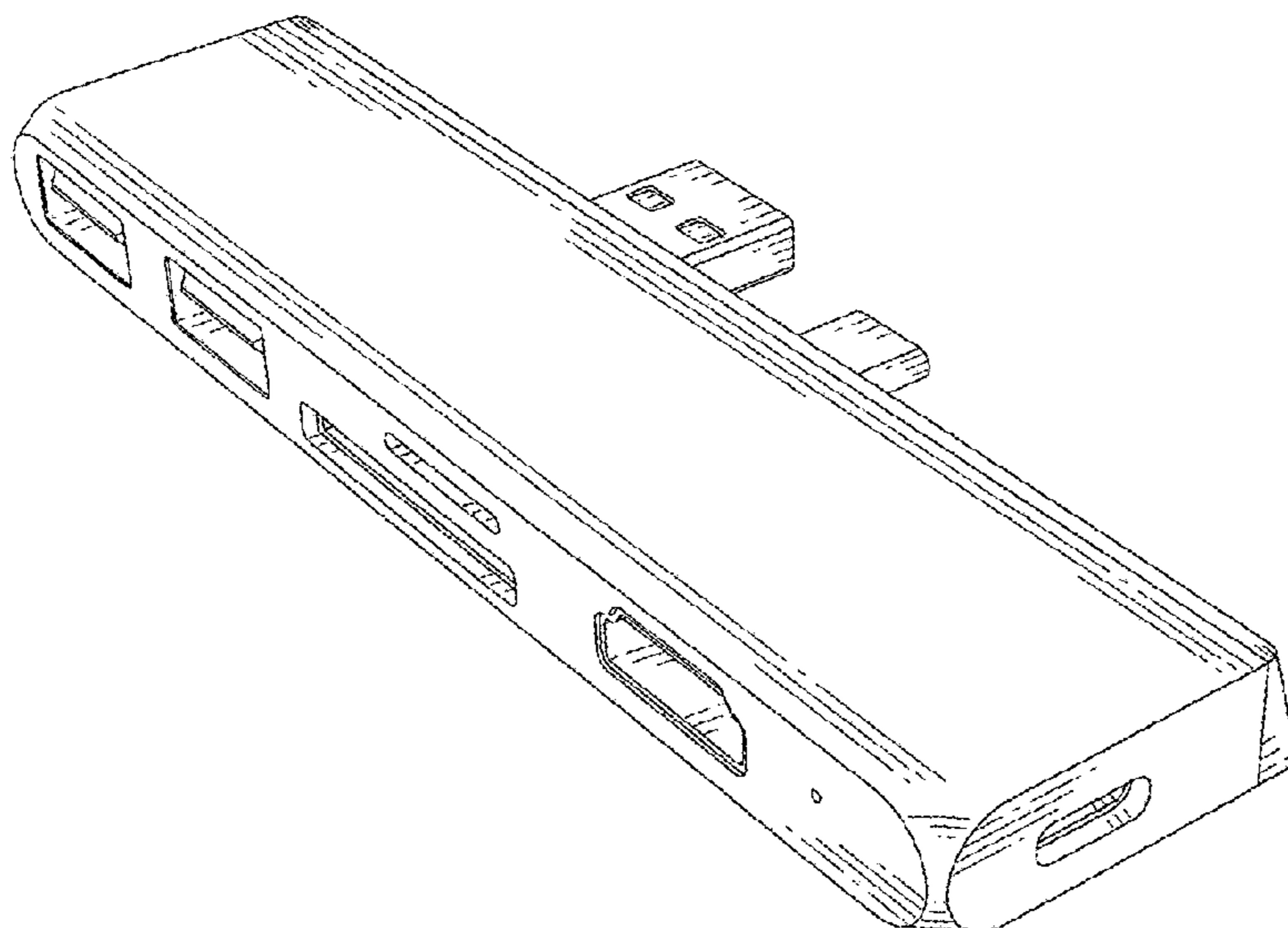
(57) **CLAIM**

The ornamental design for a USB hub, as shown and described.

DESCRIPTION

FIG. 1 is a perspective view of a USB hub showing my new design;
FIG. 2 is a front elevational view thereof;
FIG. 3 is a rear elevational view thereof;
FIG. 4 is a left side elevational view thereof;
FIG. 5 is a right side elevational view thereof;
FIG. 6 is a top plan view thereof; and,
FIG. 7 is a bottom plan view thereof.
The broken lines in the drawings depict portions of the USB hub that form no part of the claimed design.

1 Claim, 7 Drawing Sheets



(56)

References Cited

U.S. PATENT DOCUMENTS

| | | | | | | |
|--------------|----|---|---------|--------|-------|-------------|
| D885,391 | S | * | 5/2020 | Chin | | D14/433 |
| D885,392 | S | * | 5/2020 | Duan | | D14/433 |
| D885,393 | S | * | 5/2020 | Duan | | D14/433 |
| D885,394 | S | * | 5/2020 | Duan | | D14/433 |
| D885,395 | S | * | 5/2020 | Duan | | D14/433 |
| D886,105 | S | * | 6/2020 | Duan | | D14/433 |
| D890,181 | S | * | 7/2020 | Liu | | D14/433 |
| D890,759 | S | * | 7/2020 | Fan | | D14/433 |
| D891,433 | S | * | 7/2020 | Chin | | D14/433 |
| D892,119 | S | * | 8/2020 | Chin | | D14/433 |
| D899,427 | S | * | 10/2020 | Liao | | D14/433 |
| D900,104 | S | * | 10/2020 | Liao | | D14/433 |
| D900,111 | S | * | 10/2020 | Wu | | D14/433 |
| D900,740 | S | * | 11/2020 | Liao | | D13/108 |
| D907,041 | S | * | 1/2021 | Jiang | | D14/433 |
| D909,386 | S | * | 2/2021 | Turksu | | D14/433 |
| D911,346 | S | * | 2/2021 | Turksu | | D14/433 |
| 2020/0014161 | A1 | * | 1/2020 | Liao | | G06F 1/1632 |

* cited by examiner

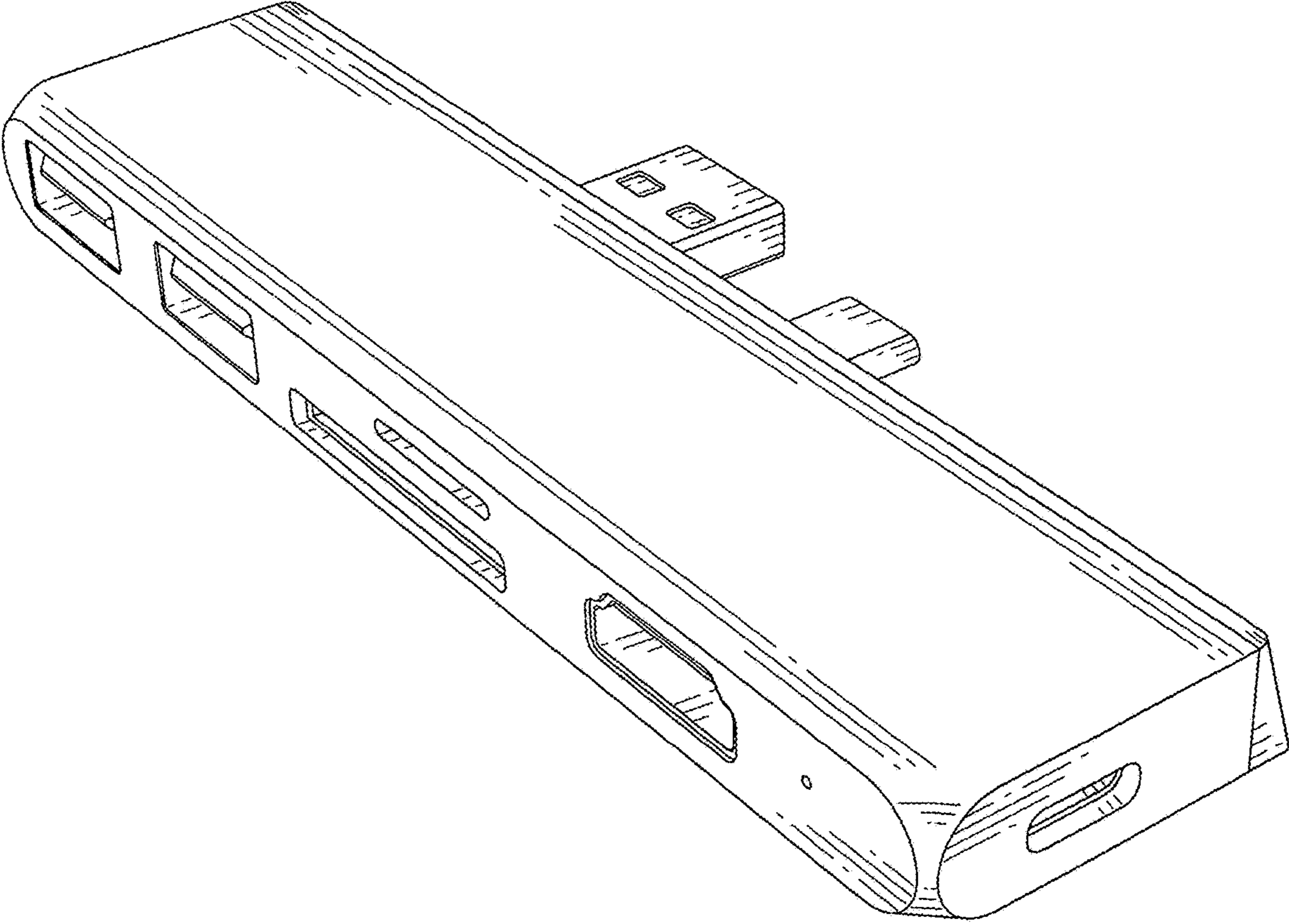


FIG. 1

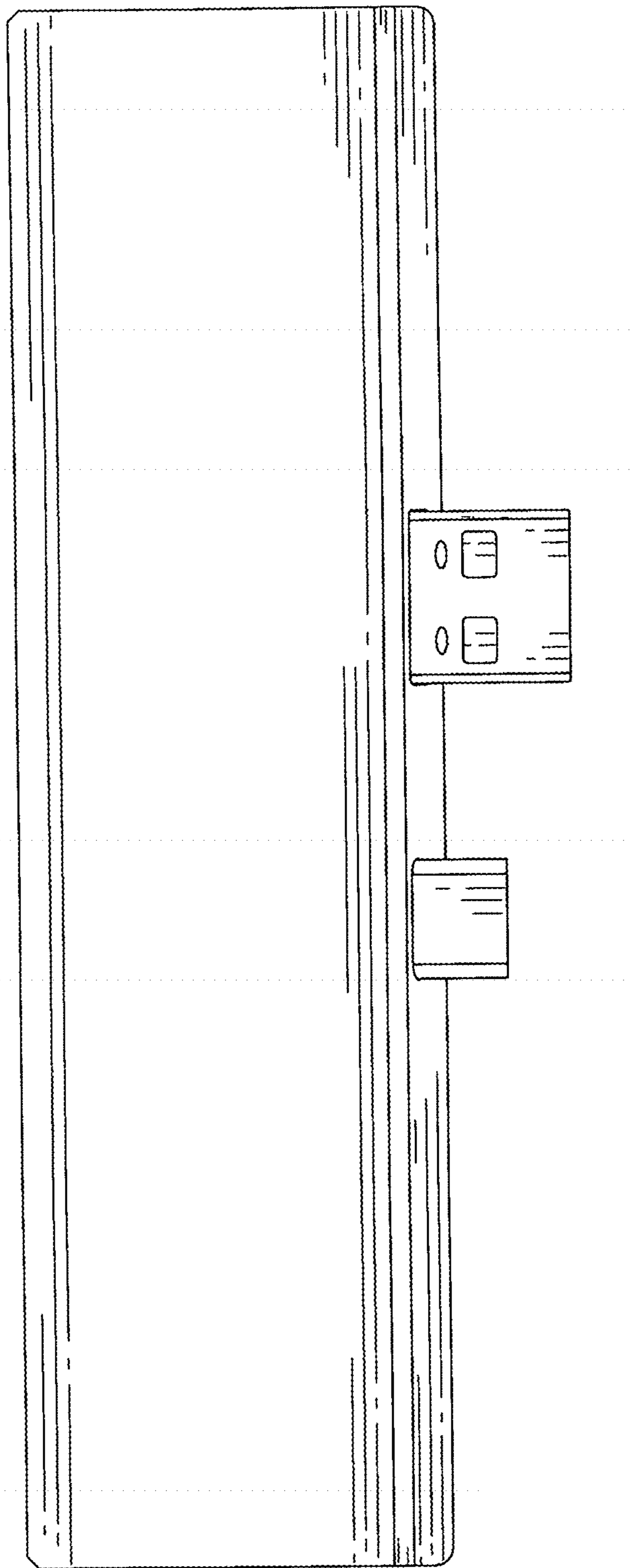


FIG. 2

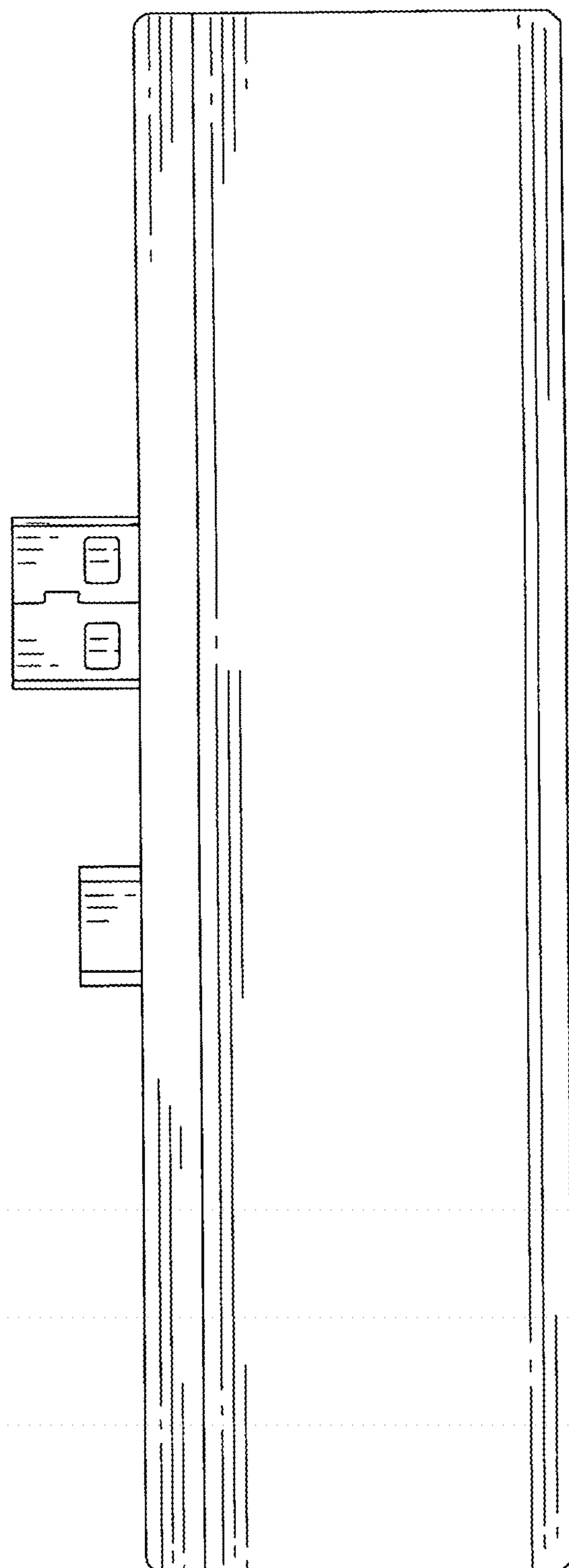


FIG. 3

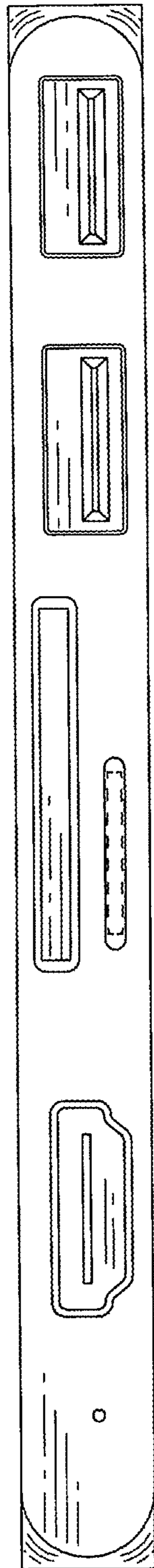


FIG. 4

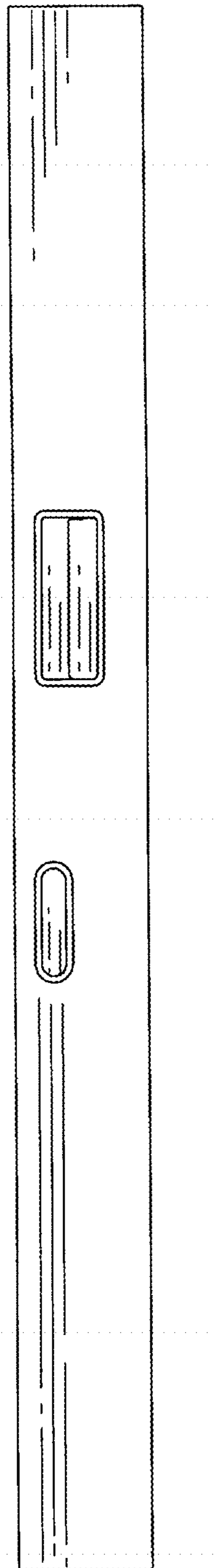


FIG. 5



FIG. 6

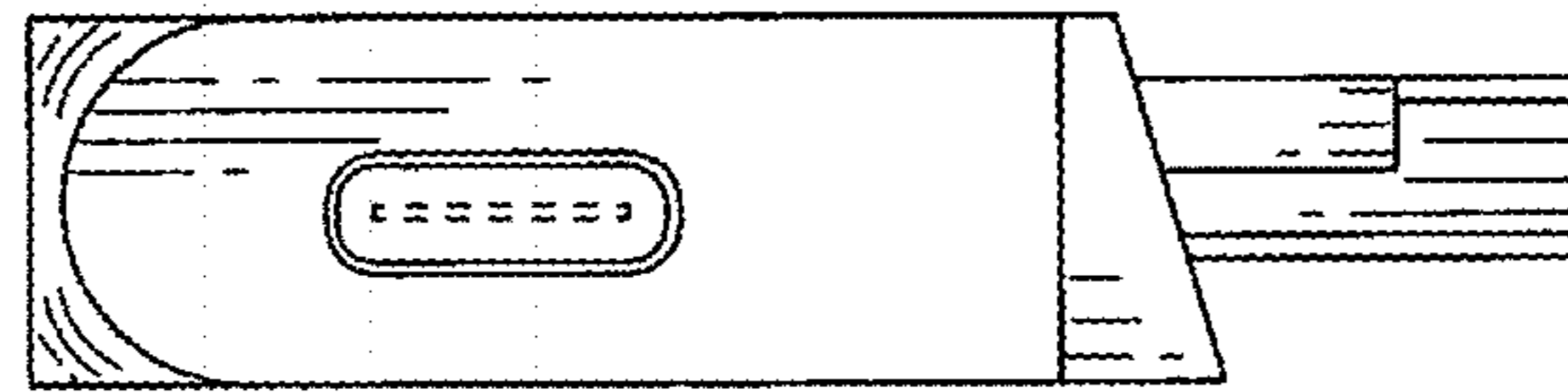


FIG. 7