



US00D937834S

(12) **United States Design Patent**
Hyun

(10) **Patent No.:** **US D937,834 S**
(45) **Date of Patent:** **** Dec. 7, 2021**

(54) **SCREEN PROTECTOR INSTALLATION KIT FOR AN ELECTRONIC COMMUNICATIONS DEVICE**

(71) Applicant: **SPIGEN KOREA CO., LTD.**, Seoul (KR)

(72) Inventor: **Young Kwang Hyun**, Seoul (KR)

(**) Term: **15 Years**

(21) Appl. No.: **29/656,498**

(22) Filed: **Jul. 12, 2018**

(51) **LOC (13) Cl.** **14-02**

(52) **U.S. Cl.**
USPC **D14/432; D14/217**

(58) **Field of Classification Search**
USPC D3/201, 212, 218, 226, 227, 247, 249, D3/250, 269, 303; D13/103, 107, 108,
(Continued)

(56) **References Cited**

U.S. PATENT DOCUMENTS

D615,078 S * 5/2010 Bradley D14/250
D637,232 S * 5/2011 Ringl D19/86
(Continued)

OTHER PUBLICATIONS

Spigen Tempered Glass Screen Protector Installation Kit, earliest upload date Aug. 28, 2018, [online][site visited Mar. 22, 2021] URL: <https://www.amazon.com/Spigen-Tempered-Protector-Installation-Designed/dp/B07GX6HGMW> (Year: 2018).*

(Continued)

Primary Examiner — L. A. Grabenstetter

(74) *Attorney, Agent, or Firm* — Paul Chung

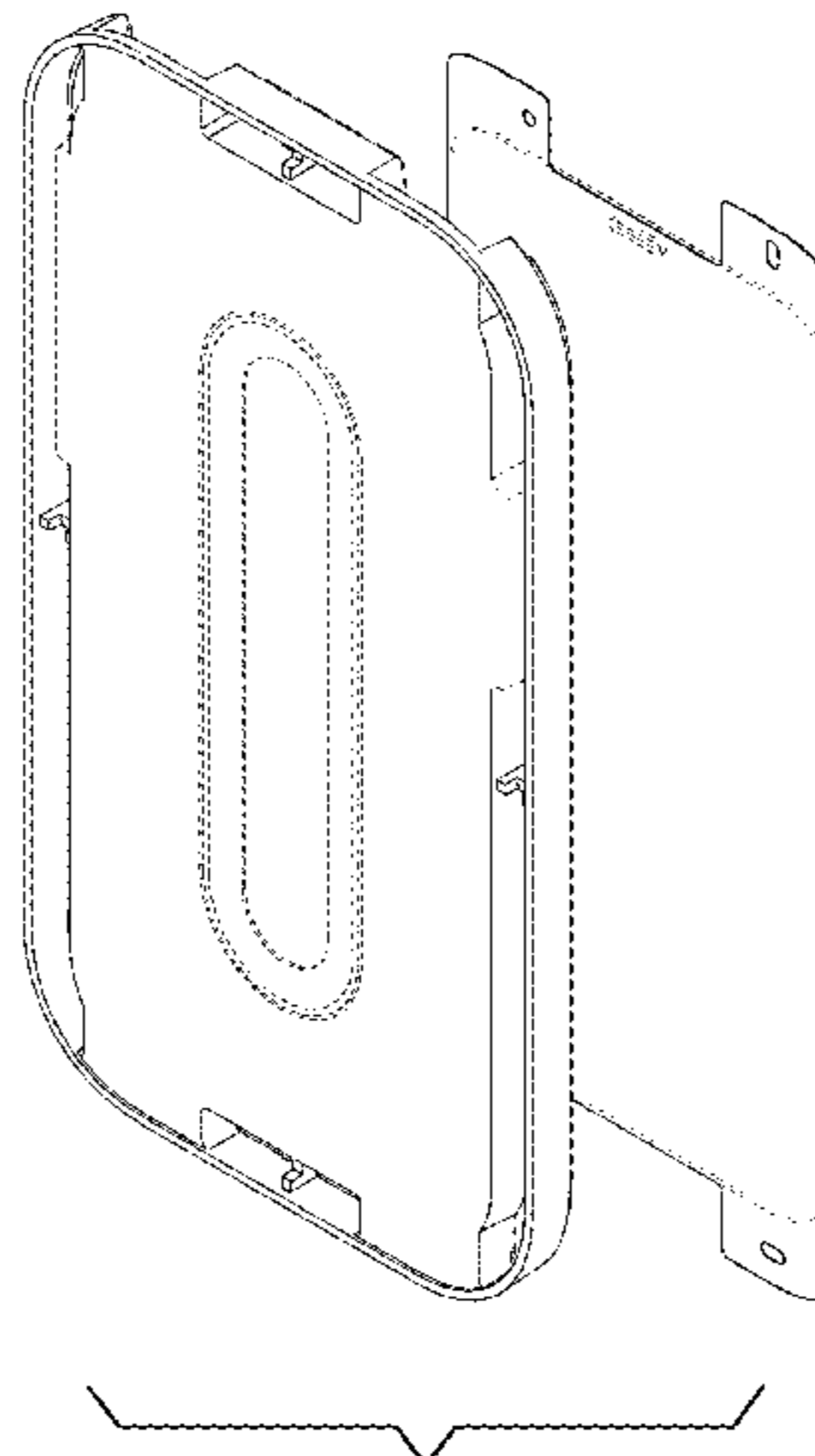
(57) **CLAIM**

The ornamental design for a screen protector installation kit for an electronic communications device, as shown and described.

DESCRIPTION

FIG. 1 is a front perspective view of a screen protector installation kit for an electronic communications device showing my new design;
FIG. 2 is a rear perspective view thereof;
FIG. 3 is a front elevational view thereof;
FIG. 4 is a rear elevational view thereof;
FIG. 5 is a left side elevational view thereof;
FIG. 6 is a right side elevational view thereof;
FIG. 7 is a top plan view thereof;
FIG. 8 is a bottom plan view thereof;
FIG. 9 is a front perspective view of the alignment frame component of the screen protector installation kit shown separately for clarity of disclosure;
FIG. 10 is a rear perspective view of the alignment frame component of the screen protector installation kit shown separately for clarity of disclosure;
FIG. 11 is a front perspective view of the screen protector applicator component of the screen protector installation kit shown separately for clarity of disclosure;
FIG. 12 is a rear perspective view of the screen protector applicator component of the screen protector installation kit shown separately for clarity of disclosure;
FIG. 13 is an exploded front perspective view of the screen protector installation kit with the components of the screen protector installation kit separated for clarity of disclosure;
FIG. 14 is an exploded rear perspective view of the screen protector installation kit with the components of the screen protector installation kit separated for clarity of disclosure; and,
FIG. 15 is an exploded rear perspective view of the screen protector installation kit with an electronic communications device, the screen protector applicator component comprising of the screen protector and the screen protector holding panel, the alignment frame component, and the panel holding tape component of the screen protector installation kit separated for clarity of disclosure.

(Continued)



The broken lines throughout the drawing figures depict portions of the screen protector installation kit that form no part of the claimed design. The broken lines and regions bounded by broken lines form no part of the claimed design. The broken lines showing an electronic communications device in FIG. 15 depict environmental subject matter that forms no part of the claimed design.

1 Claim, 15 Drawing Sheets

(58) **Field of Classification Search**

USPC D13/119; D14/137, 138 R, 138 AA,
D14/138 C, 138 G, 172, 192,
D14/203.3–203.7, 217, 238.1, 247, 248,
D14/250–253, 434, 440, 447, 496;
D8/14, 354
CPC H04B 1/3888; H04M 1/0283;
H04M 1/0202; A45C 1/06; A45C
2011/002; A45C 11/00; A45F 2005/028;
A45F 2200/0525

See application file for complete search history.

(56) **References Cited**

U.S. PATENT DOCUMENTS

D637,648	S *	5/2011	Ringl	D19/86
D692,894	S *	11/2013	Chen	D14/432
D697,708	S	1/2014	Denzer et al.	
8,675,353	B1 *	3/2014	Alonzo	G06F 1/1628 361/679.01
9,287,916	B2	3/2016	Wicks et al.	
D812,062	S *	3/2018	MacDonald	D14/432
D817,945	S *	5/2018	Wadsworth	D14/250
D821,384	S	6/2018	Jordin et al.	
2002/0117243	A1 *	8/2002	Koren	G06F 3/04817 150/147
2015/0173229	A1 *	6/2015	Chao	B29C 45/14811 206/524.2

2015/0277502	A1 *	10/2015	Witham	G06F 1/1626 156/249
2017/0001364	A1 *	1/2017	MacDonald	B29C 65/7802
2017/0297268	A1 *	10/2017	Witham	B29C 65/48
2020/0094467	A1 *	3/2020	Cho	B29C 63/0004

OTHER PUBLICATIONS

“Smart Touch iPhone 6 Tempered Glass Screen Protector”, https://www.youtube.com/watch?v=QcK_LoEGHZ8, Published on Sep. 8, 2015.

“Easy applicator for tempered glass screen protector”, <https://www.youtube.com/watch?v=0I5BQVSkdmQ>, Published on Jul. 13, 2015.

“Maxboost Screen Protector for Apple iPhone Xs & iPhone X & iPhone 11 Pro (3 Packs, Clear) 0.25mm Tempered Glass Screen Protector with Advanced Clarity [3D Touch] Work w/Most Case 99% Touch Accurate”, <https://www.amazon.com/Maxboost-Protector-Tempered-Advanced-Accurate/dp/B073DLZWX7>, Earliest photo review on Oct. 28, 2017, Downloaded on Sep. 29, 2020.

“Power Theory iPhone 8 / iPhone 7 Glass Screen Protector [2-Pack] with Easy Install Kit [Premium Tempered Glass]”, <https://www.amazon.com/Power-Theory-iPhone-Screen-Protector/dp/B01MPWZ4M7>, Date first available: Jun. 15, 2018, Downloaded on Sep. 29, 2020.

“Power Theory iPhone 6s / iPhone 6 Glass Screen Protector [2-Pack] with Easy Install Kit [Premium Tempered Glass]”, <https://www.amazon.com/Power-Theory-iPhone-Screen-Protector/dp/B01ARX59EG>, Date first available: Jun. 15, 2018, Downloaded on Sep. 29, 2020.

“Power Theory iPhone 8 Plus/iPhone 7 Plus Glass Screen Protector [2-Pack] with Easy Install Kit—Premium Tempered Glass for 7Plus & 8Plus”, <https://www.amazon.com/Power-Theory-iPhone-Plus-Screen/dp/B01MPWZ8C4>, Date first available: Jun. 15, 2018, Downloaded on Sep. 29, 2020.

“Power Theory iPhone X/iPhone Xs Glass Screen Protector [2-Pack] with Easy Install Kit [Premium Tempered Glass]”, <https://www.amazon.com/Power-Theory-iPhone-Screen-Protector/dp/B075MBD2P6>, Date first available: Jun. 15, 2018, Downloaded on Sep. 29, 2020.

* cited by examiner

FIG. 1

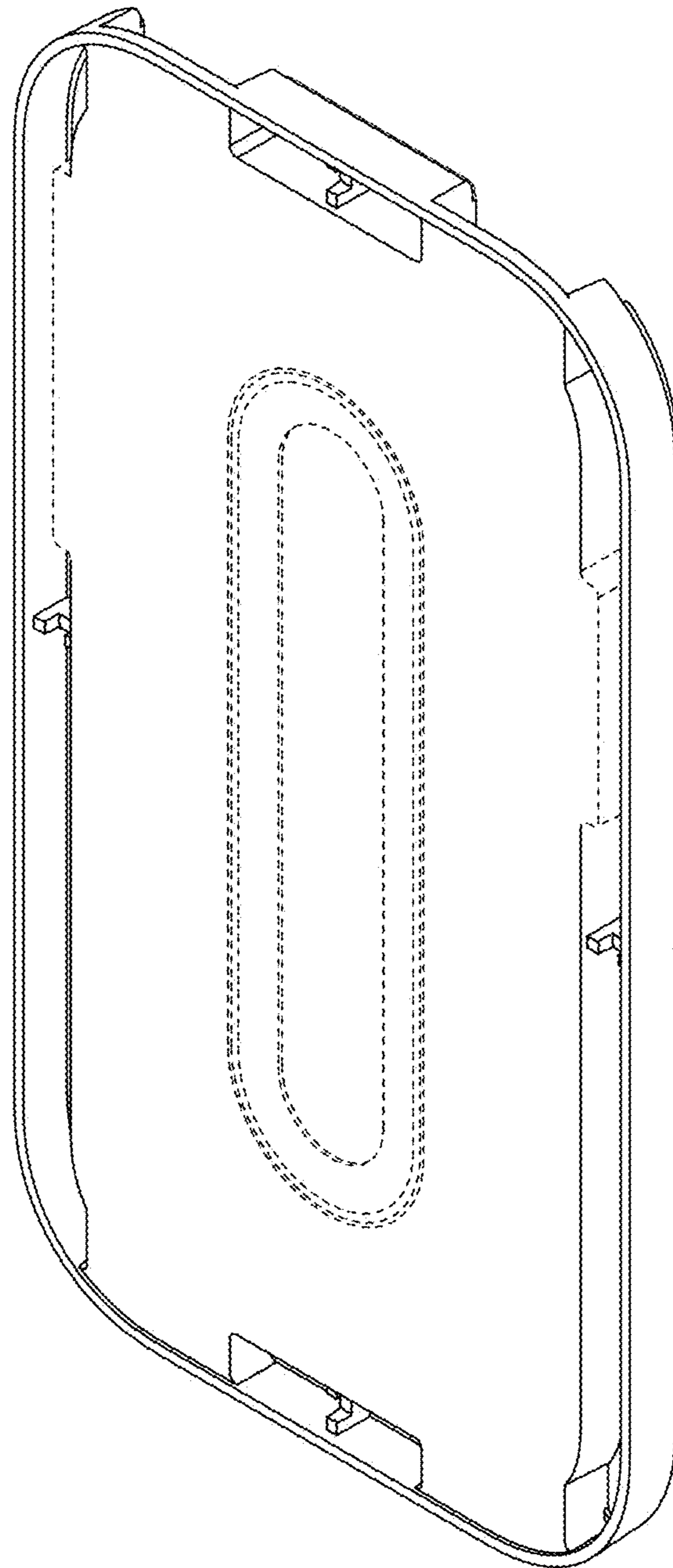


FIG. 2

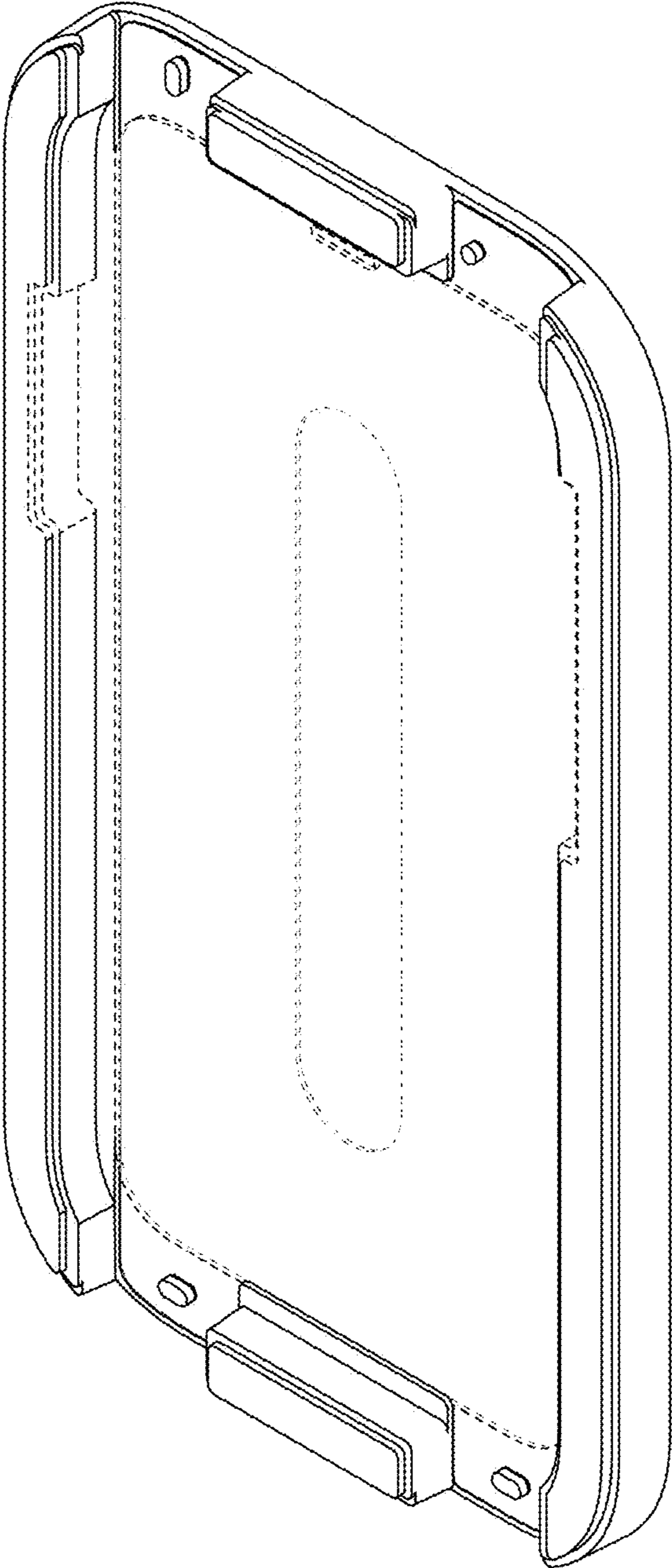


FIG. 3

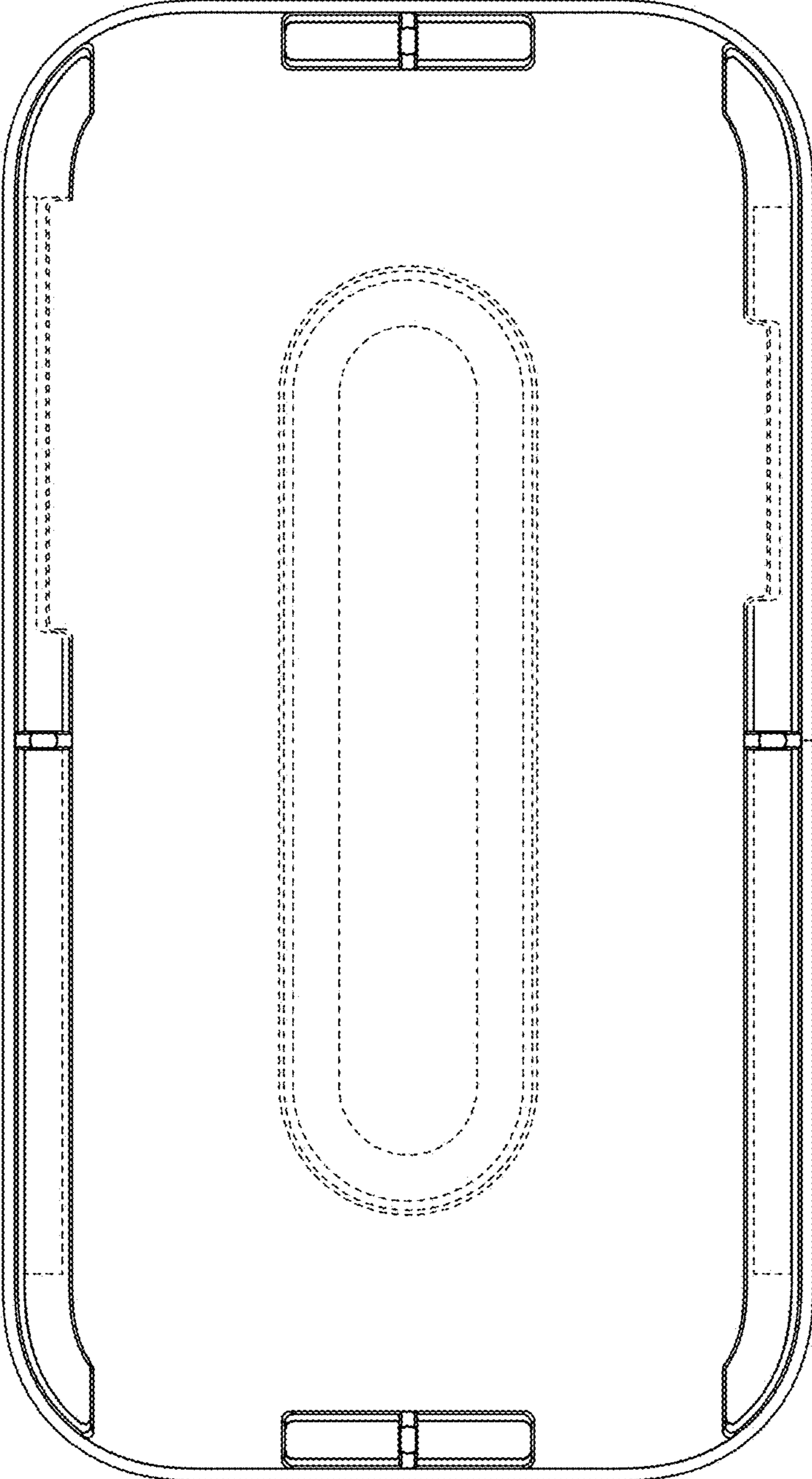


FIG. 4

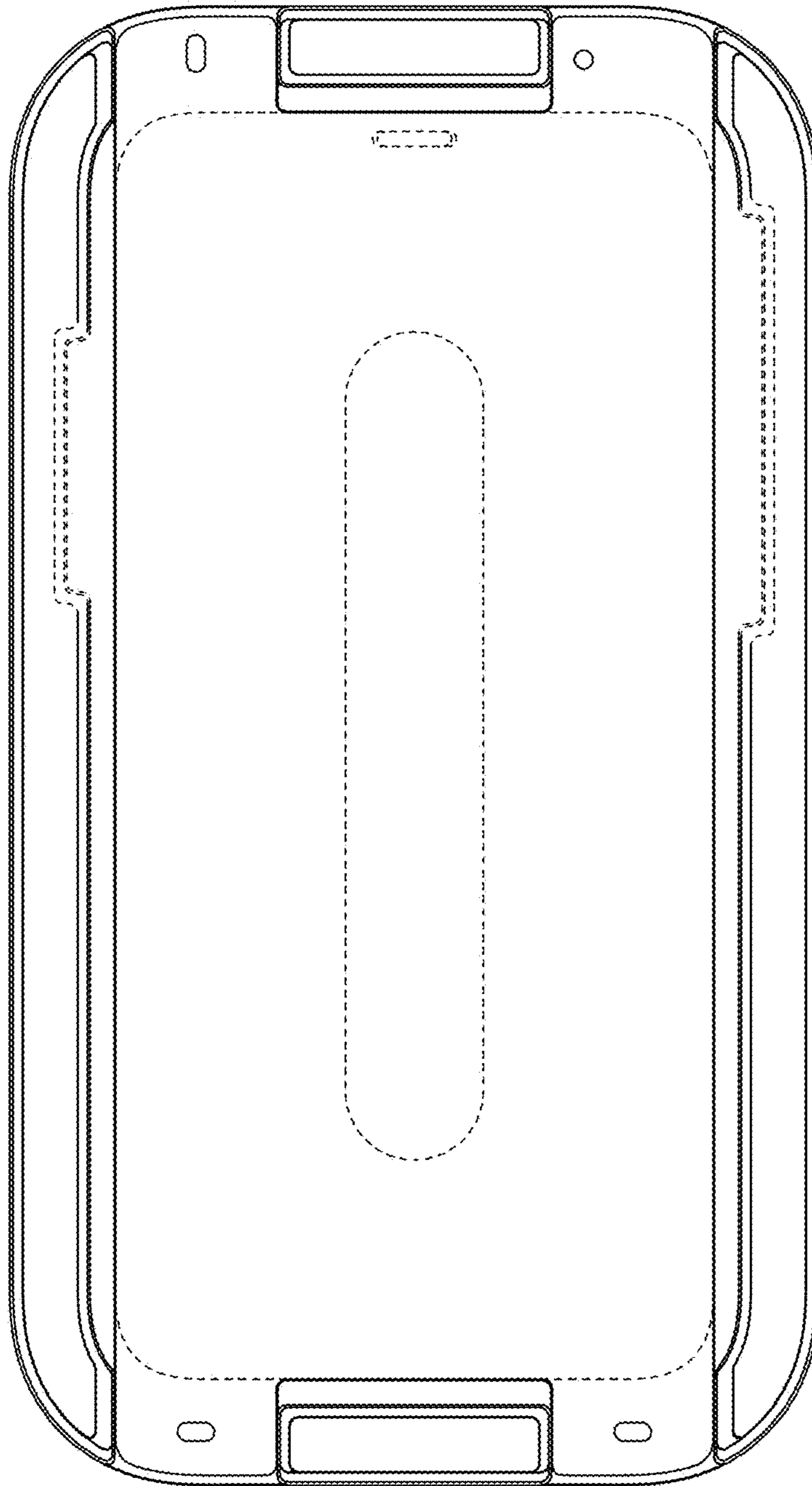


FIG. 5

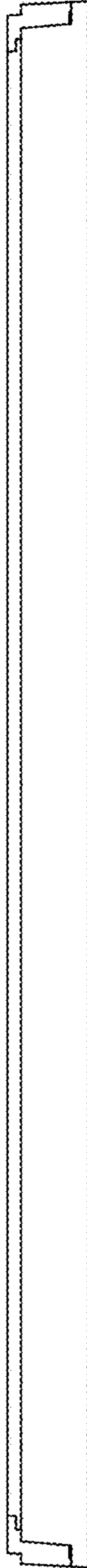


FIG. 6



FIG. 7

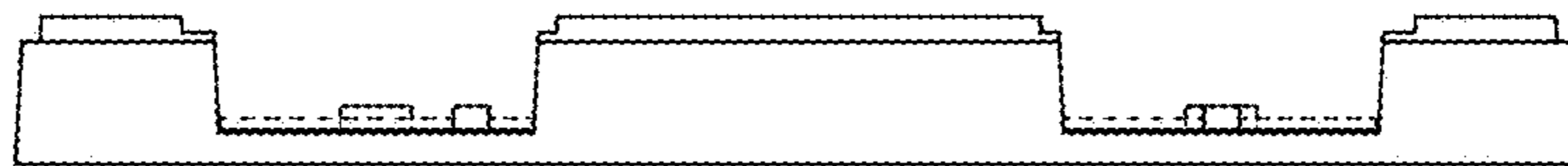


FIG. 8



FIG. 9

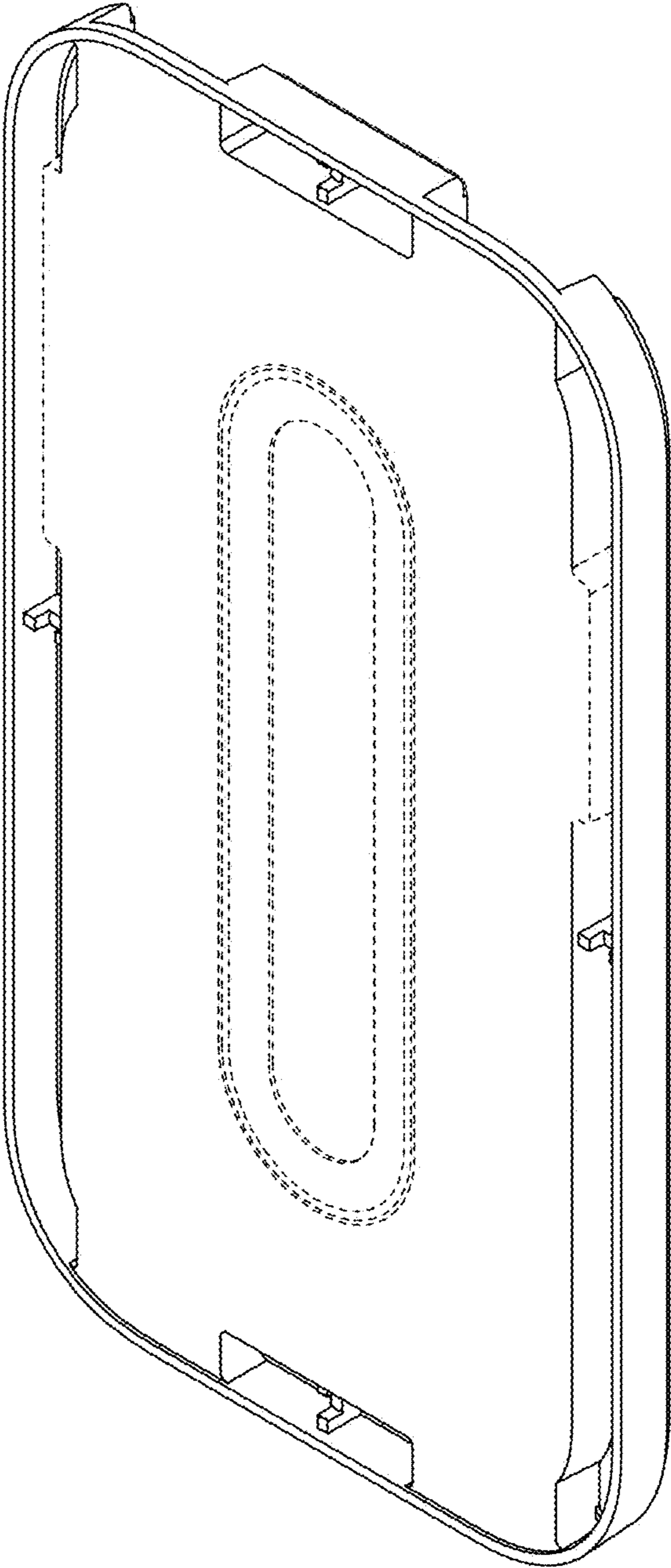


FIG. 10

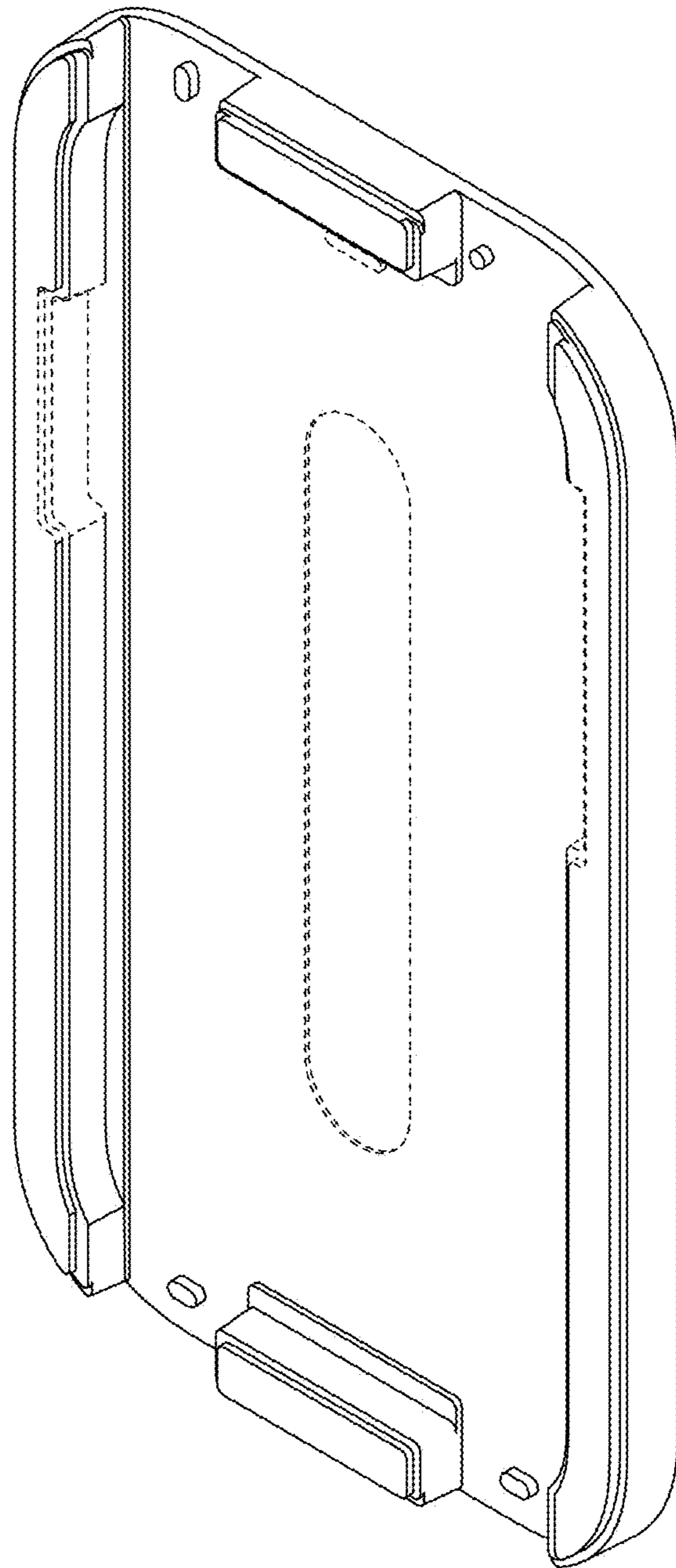


FIG. 11

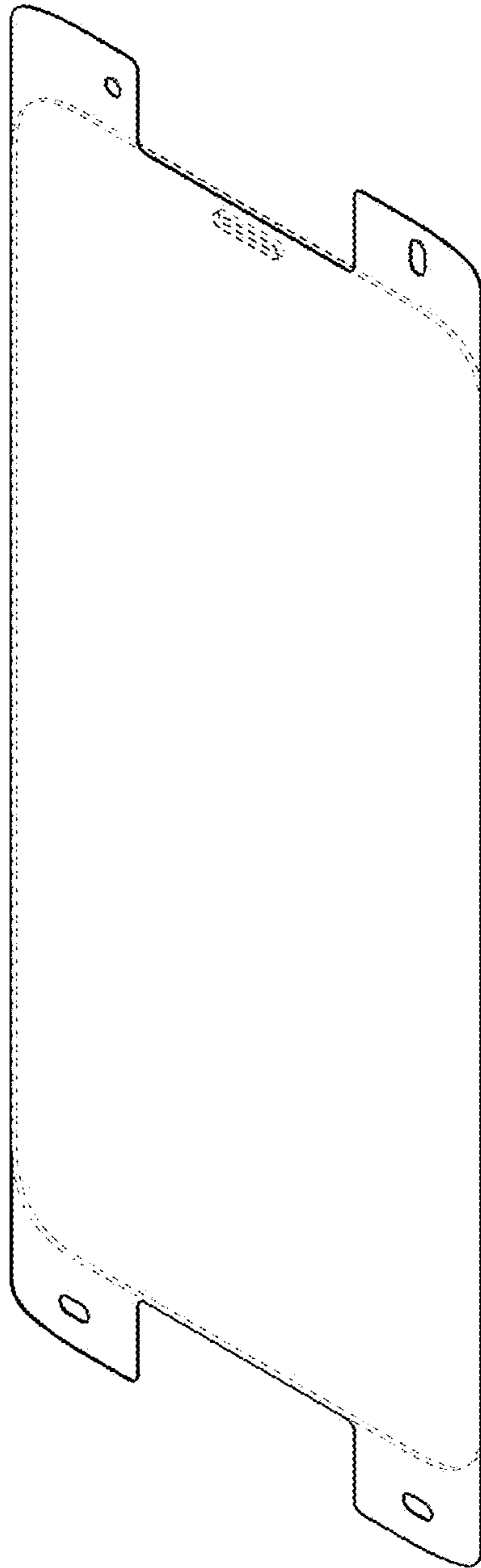


FIG. 12

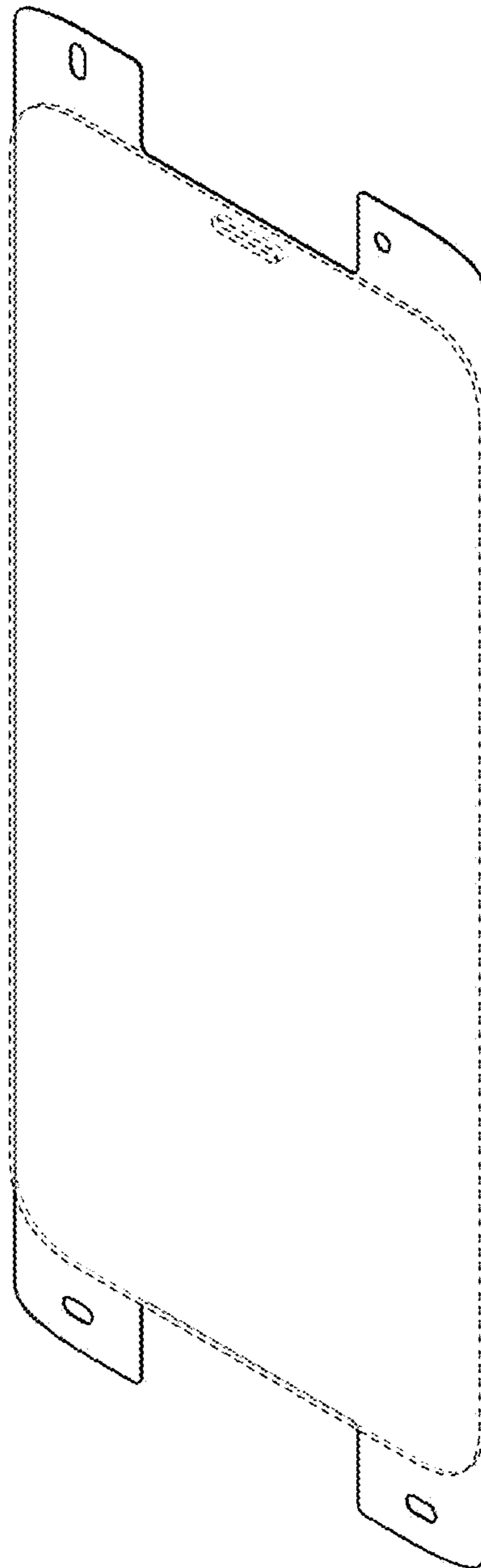


FIG. 13

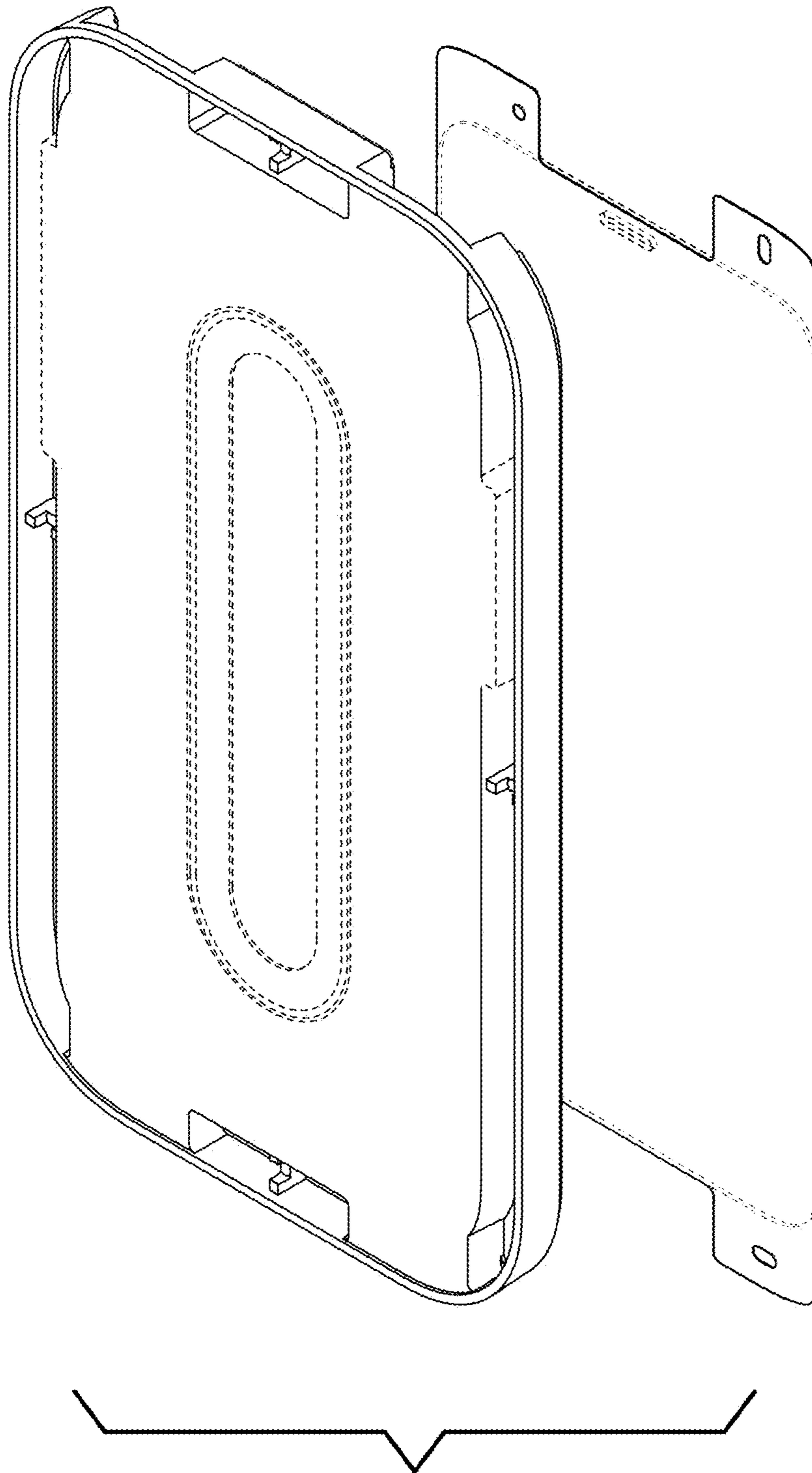


FIG. 14

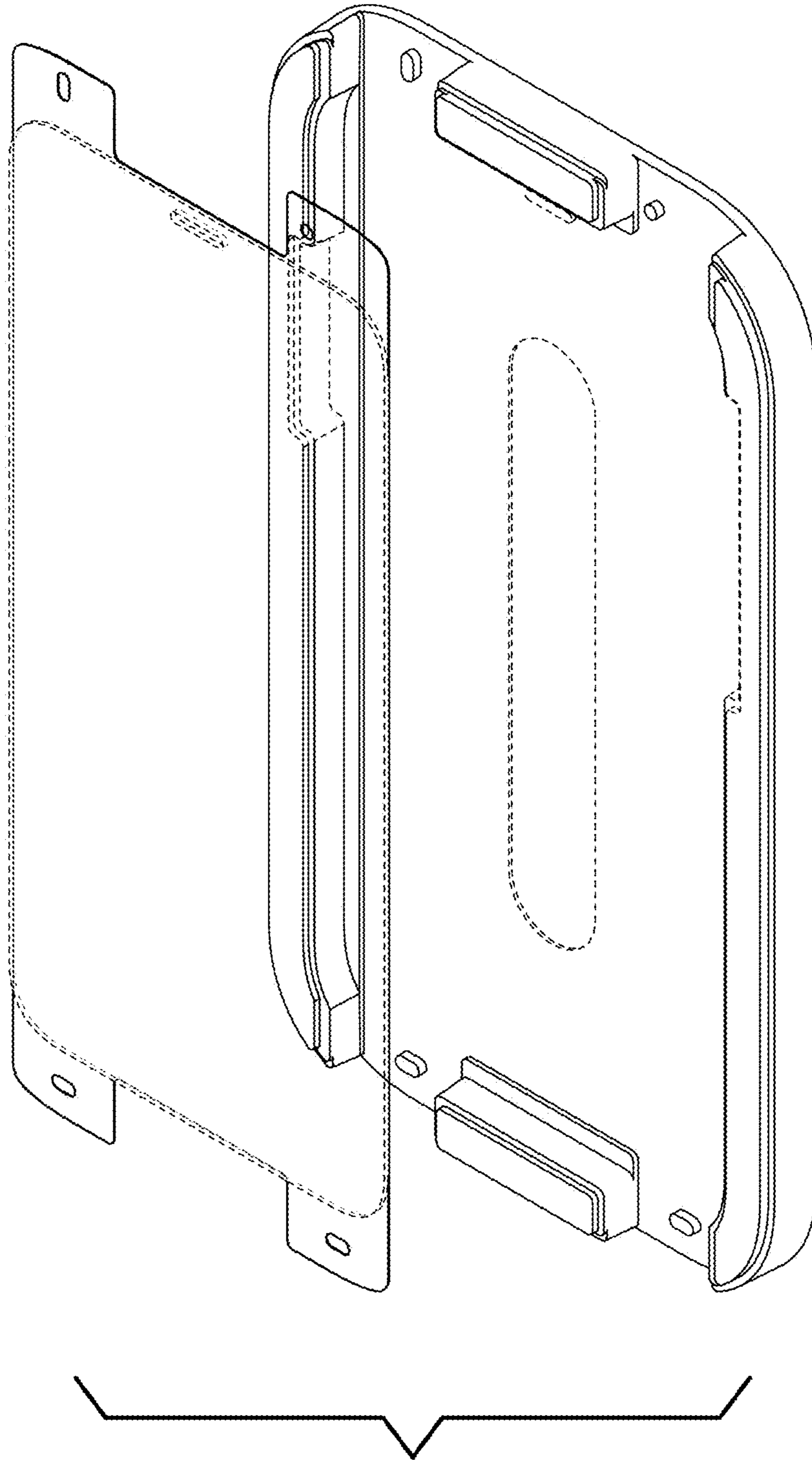


FIG. 15

