



US00D937832S

(12) **United States Design Patent**
Bhat et al.

(10) **Patent No.:** **US D937,832 S**

(45) **Date of Patent:** **** Dec. 7, 2021**

(54) **HEADSET MASK**

(71) Applicant: **Hewlett-Packard Development Company, L.P.**, Fort Collins, CO (US)

(72) Inventors: **Siddhartha Bhat**, Palo Alto, CA (US); **John William Pennington, Jr.**, Palo Alto, CA (US); **Henry Chu**, Palo Alto, CA (US); **Glenn A. Wong**, Palo Alto, CA (US)

(73) Assignee: **Hewlett-Packard Development Company, L.P.**, Spring, TX (US)

(**) Term: **15 Years**

(21) Appl. No.: **29/735,754**

(22) Filed: **May 22, 2020**

(51) **LOC (13) Cl.** **14-02**

(52) **U.S. Cl.**
USPC **D14/372**

(58) **Field of Classification Search**
USPC D14/372, 496, 432, 371, 125, 126, 129, D14/299; D16/300-342; 351/158, 153, 351/144; 345/7-9, 905; 455/344; 348/115, 53, 121, 739
CPC G02B 27/017; G02B 27/0158; G02B 27/0161; G02B 27/0181; G02B 27/0185; G02B 27/0189

See application file for complete search history.

(56) **References Cited**

U.S. PATENT DOCUMENTS

- 8,605,008 B1 12/2013 Prest et al.
- D719,953 S 12/2014 Nokuo et al.
- D749,580 S 2/2016 Kim et al.
- D771,625 S 11/2016 Sullivan et al.
- D780,751 S 3/2017 Park et al.
- D781,289 S 3/2017 Patel
- D805,515 S * 12/2017 Bowes D14/372
- 9,857,839 B1 * 1/2018 Bristol G02B 27/0172

- D815,637 S * 4/2018 Li D14/372
- 10,004,408 B2 6/2018 Naima
- D822,659 S * 7/2018 Spio D14/372
- D831,029 S * 10/2018 Gu D14/372
- D834,018 S * 11/2018 Wei D14/372
- D834,019 S * 11/2018 Dallmeyer D14/372

(Continued)

OTHER PUBLICATIONS

HMD Odyssey—Windows Mixed Reality Headset, Nov. 1, 2017, Samsung.

PlayStation VR, Oct. 1, 2016, Sony.

Primary Examiner — Austin Murphy

(74) *Attorney, Agent, or Firm* — HP Patent Department, Inc.

(57) **CLAIM**

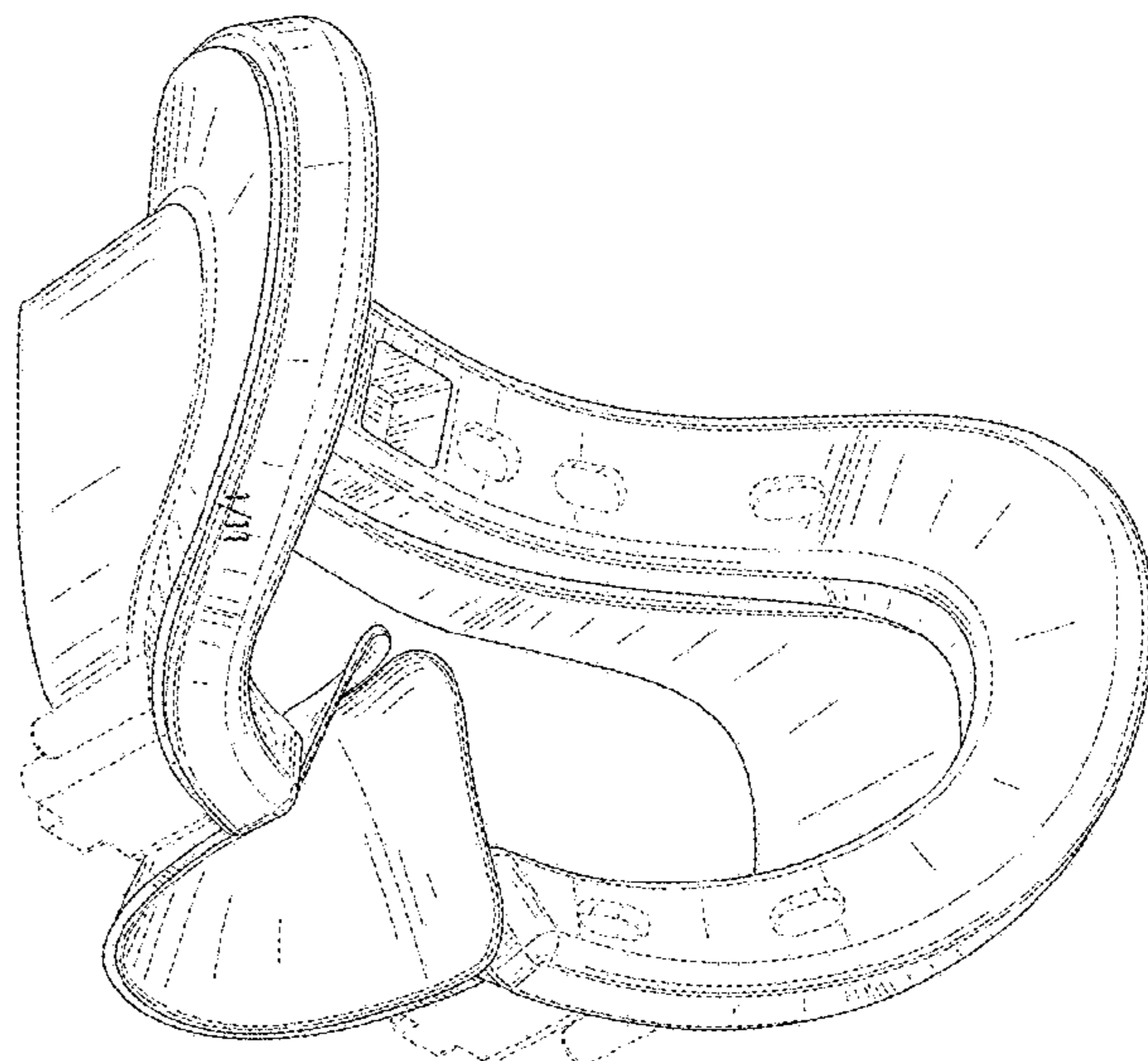
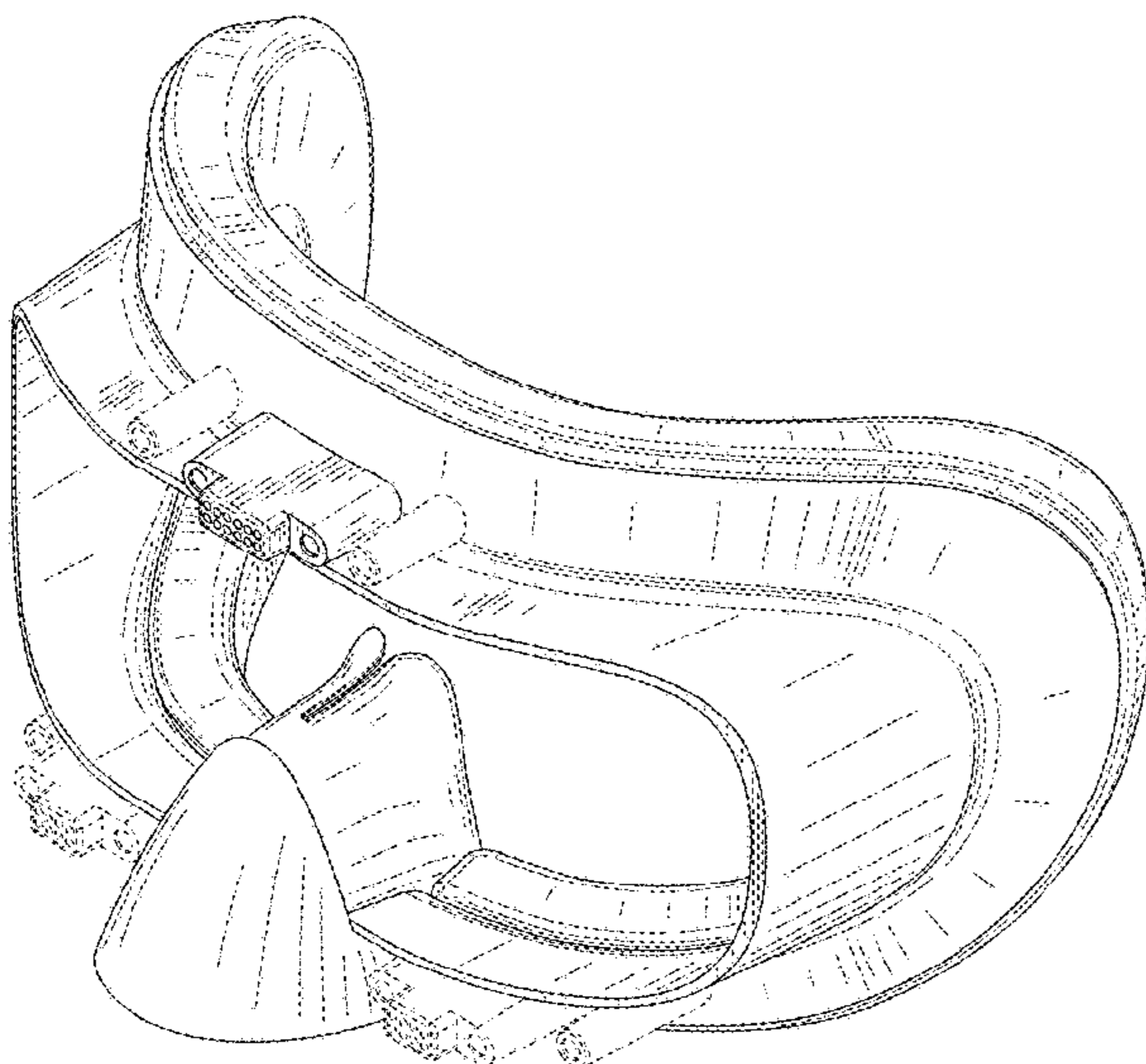
We claim the ornamental design for a headset mask, as shown and described.

DESCRIPTION

FIG. 1 is a front right perspective view of a headset mask; FIG. 2 is rear right perspective view thereof; FIG. 3 is a rear left perspective view thereof; FIG. 4 is a front view thereof; FIG. 5 is a rear view thereof; FIG. 6 is a left view thereof; FIG. 7 is a right view thereof; FIG. 8 is a top view thereof; FIG. 9 is a bottom view thereof; FIG. 10 is a front perspective view of a headset incorporating the headset mask; FIG. 11 is a rear right perspective view of the headset incorporating the headset mask; and, FIG. 12 is a left right perspective view of the headset incorporating the headset mask.

The broken lines in the drawings are for illustrative purposes only and form no part of the claimed design.

1 Claim, 11 Drawing Sheets



(56)

References Cited

U.S. PATENT DOCUMENTS

D840,397 S * 2/2019 Li D14/372
10,349,887 B1 7/2019 Tzvieli et al.
D860,992 S * 9/2019 Bristol D14/372
2018/0056025 A1 3/2018 Park et al.
2019/0101977 A1 4/2019 Armstrong-Muntner et al.
2020/0085312 A1 3/2020 Tzvieli et al.

* cited by examiner

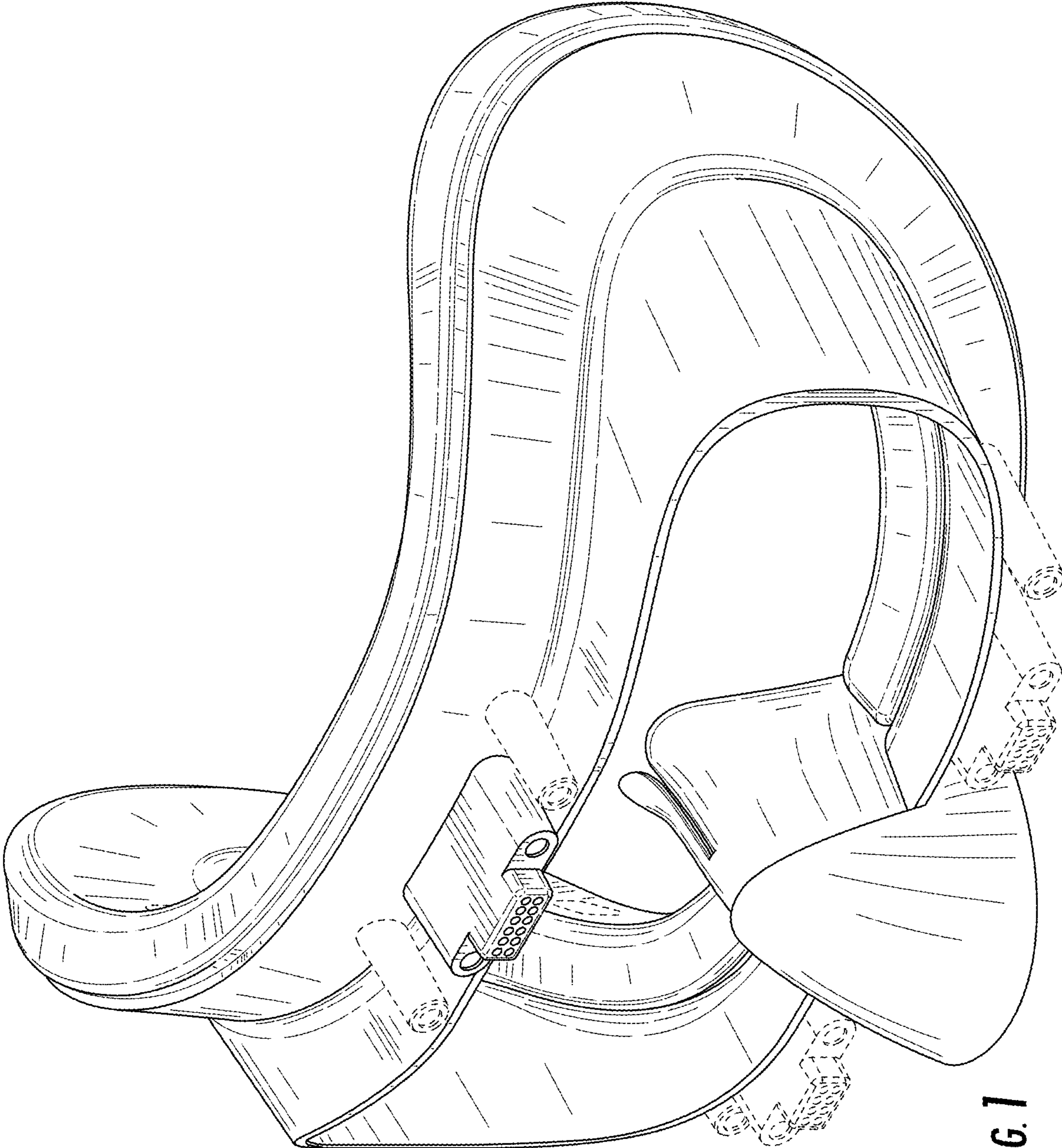


FIG. 1

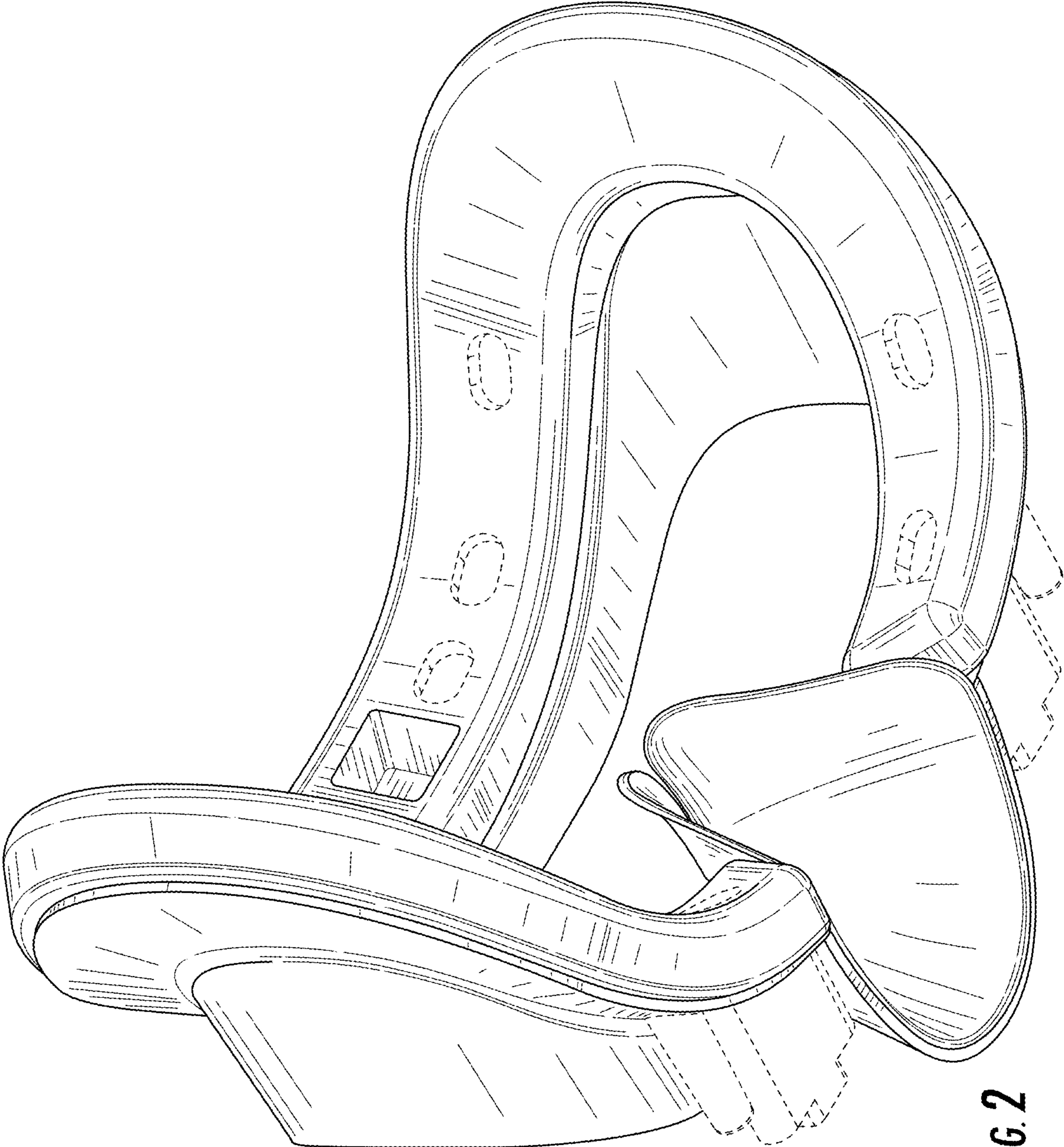


FIG. 2

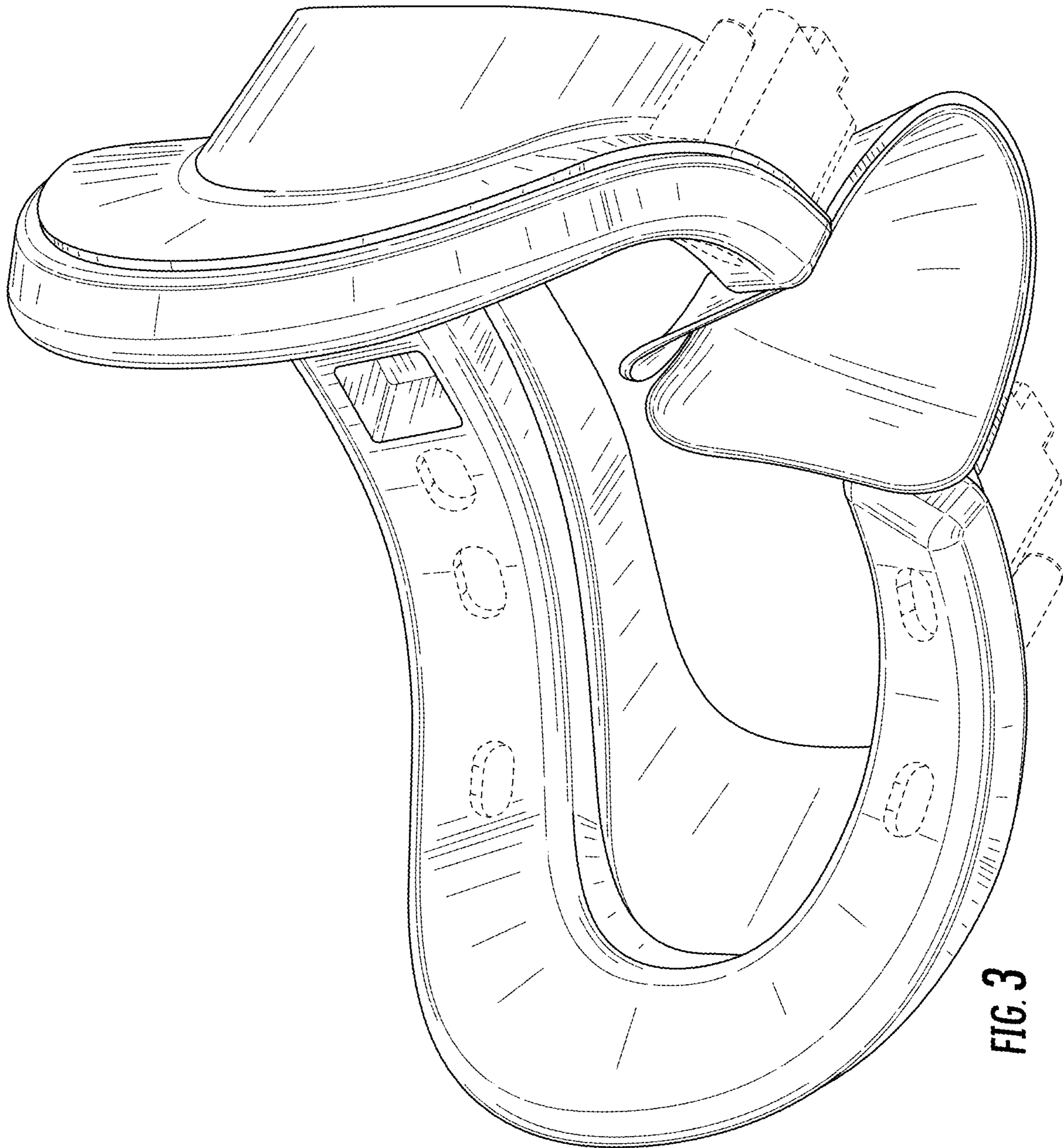


FIG. 3

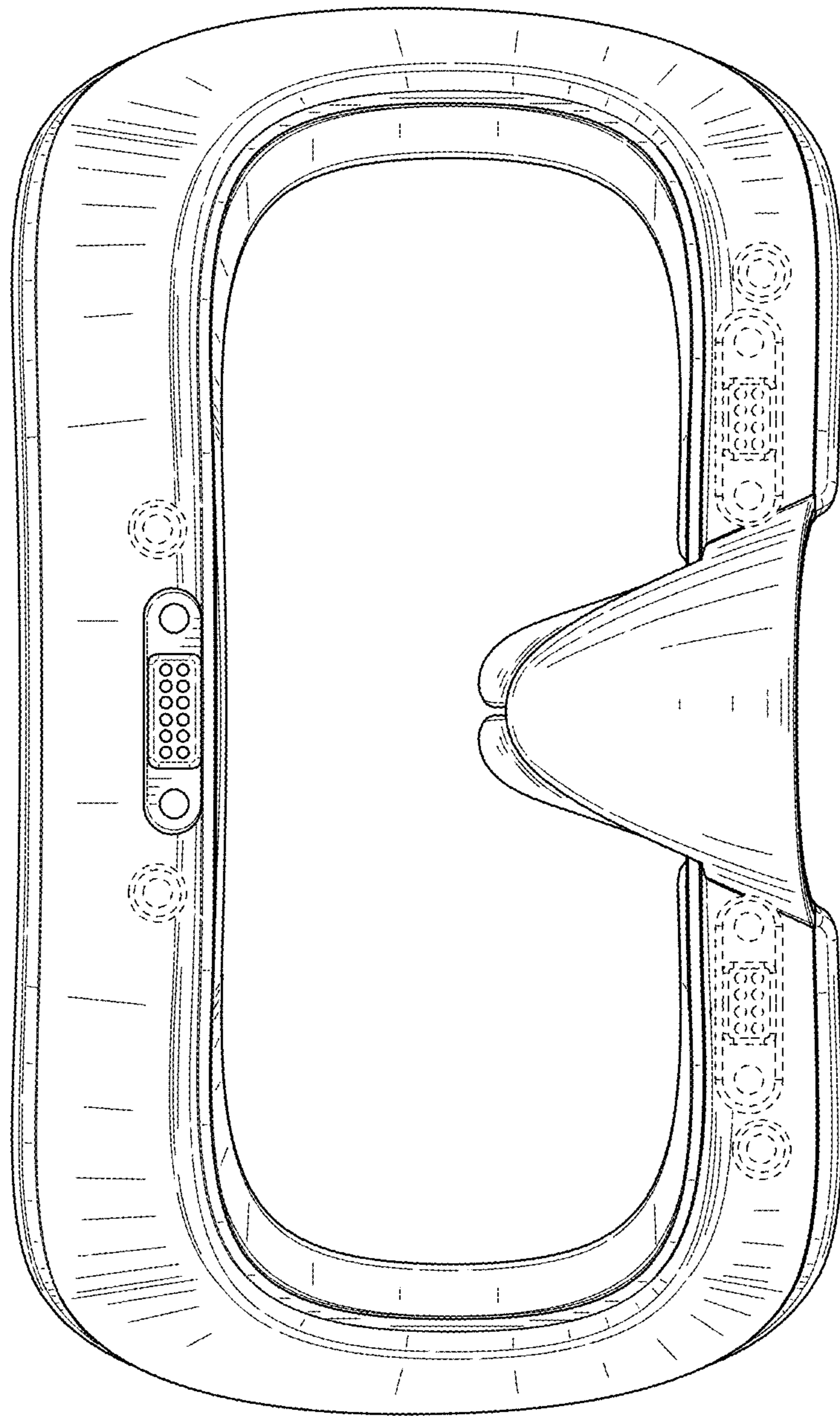


FIG. 4

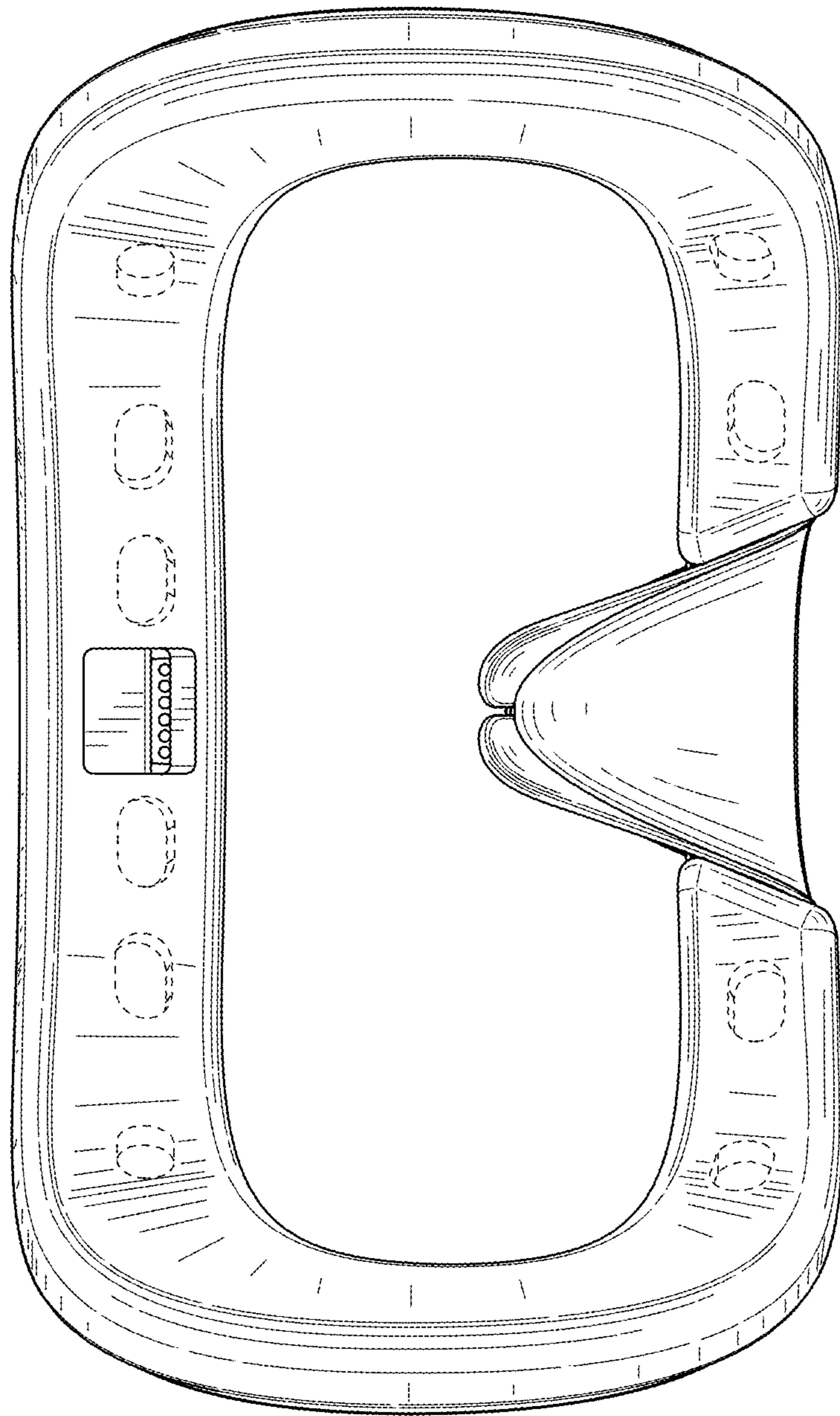


FIG. 5

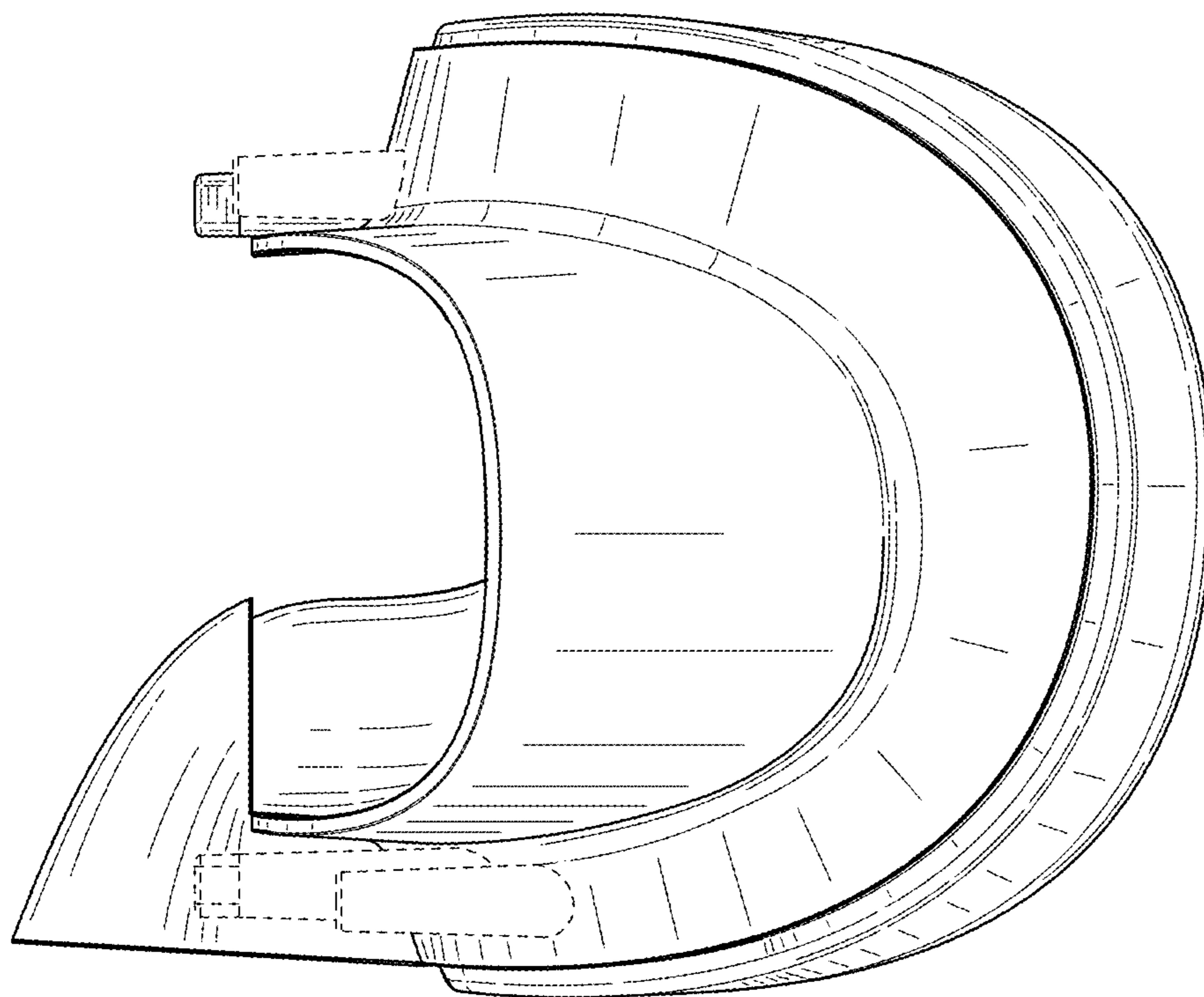


FIG. 6

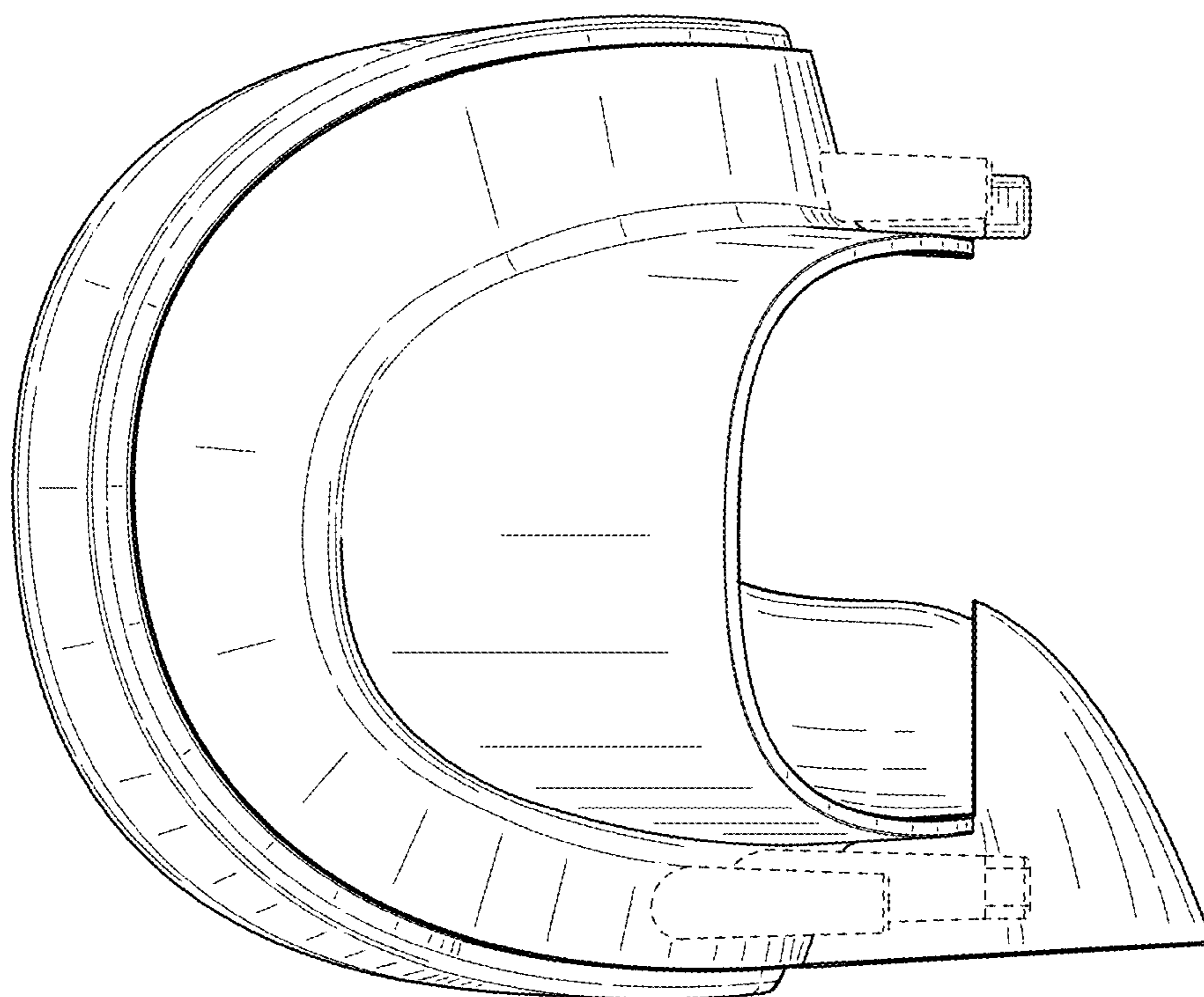


FIG. 7

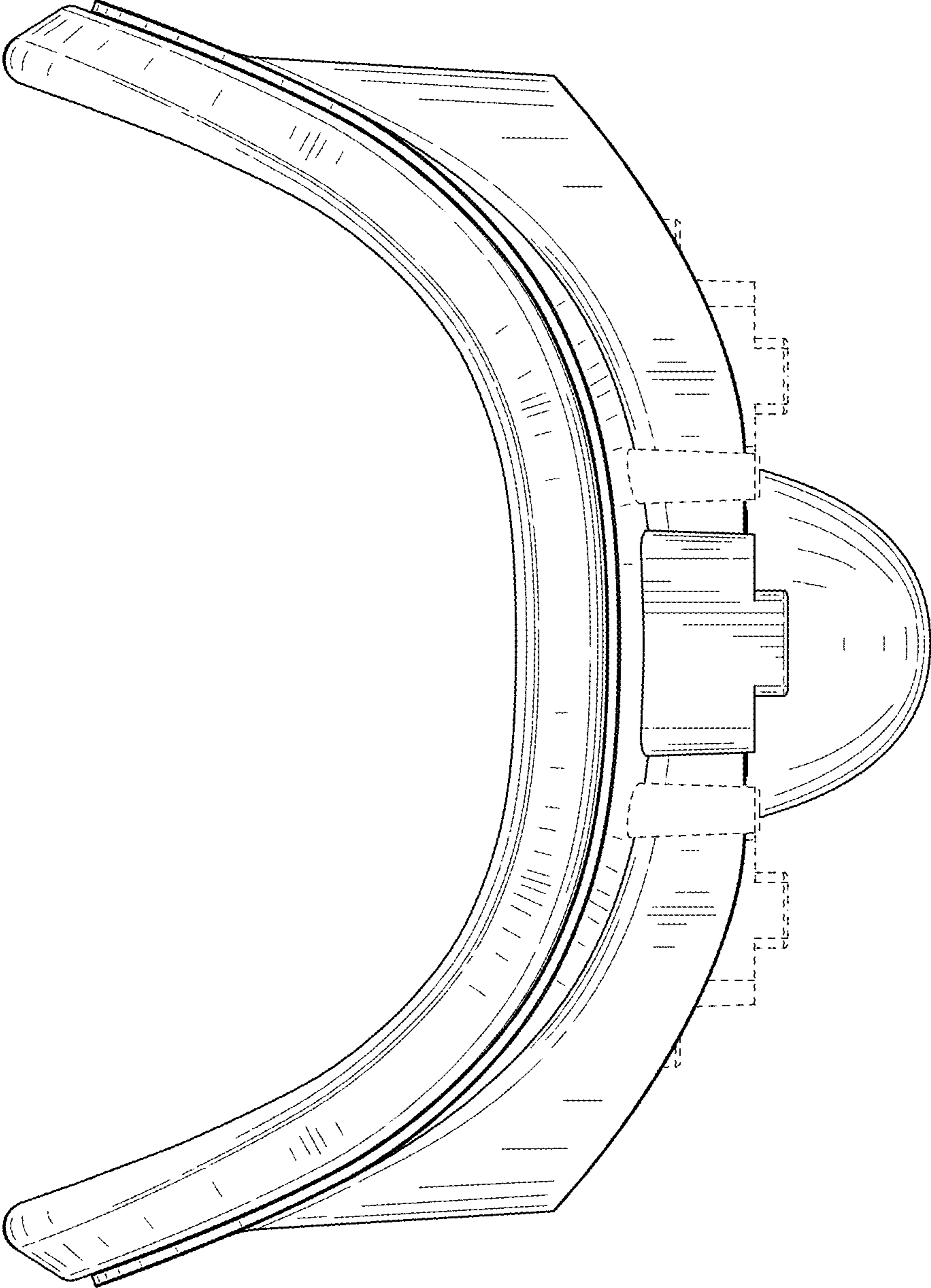


FIG. 8

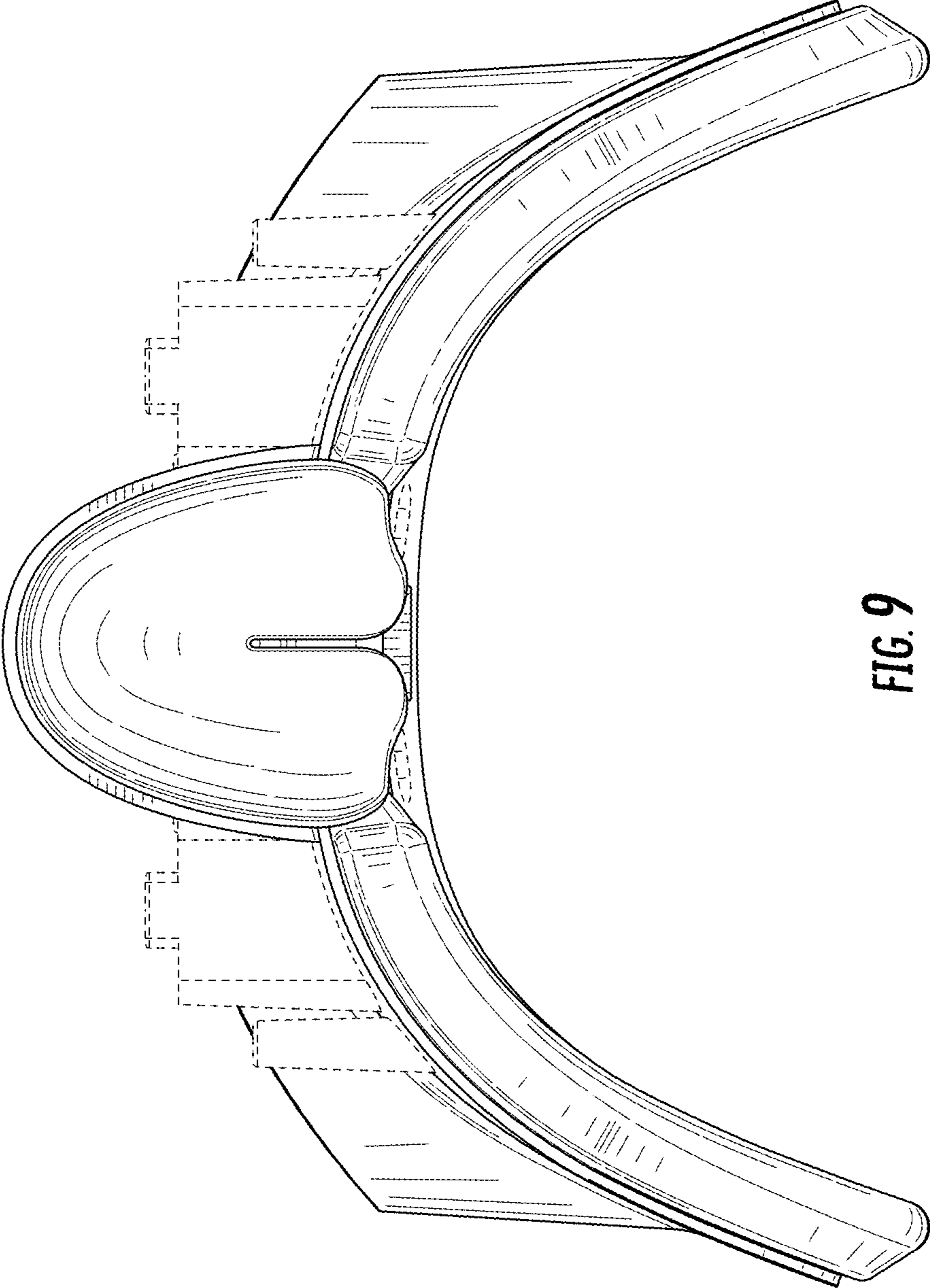


FIG. 9

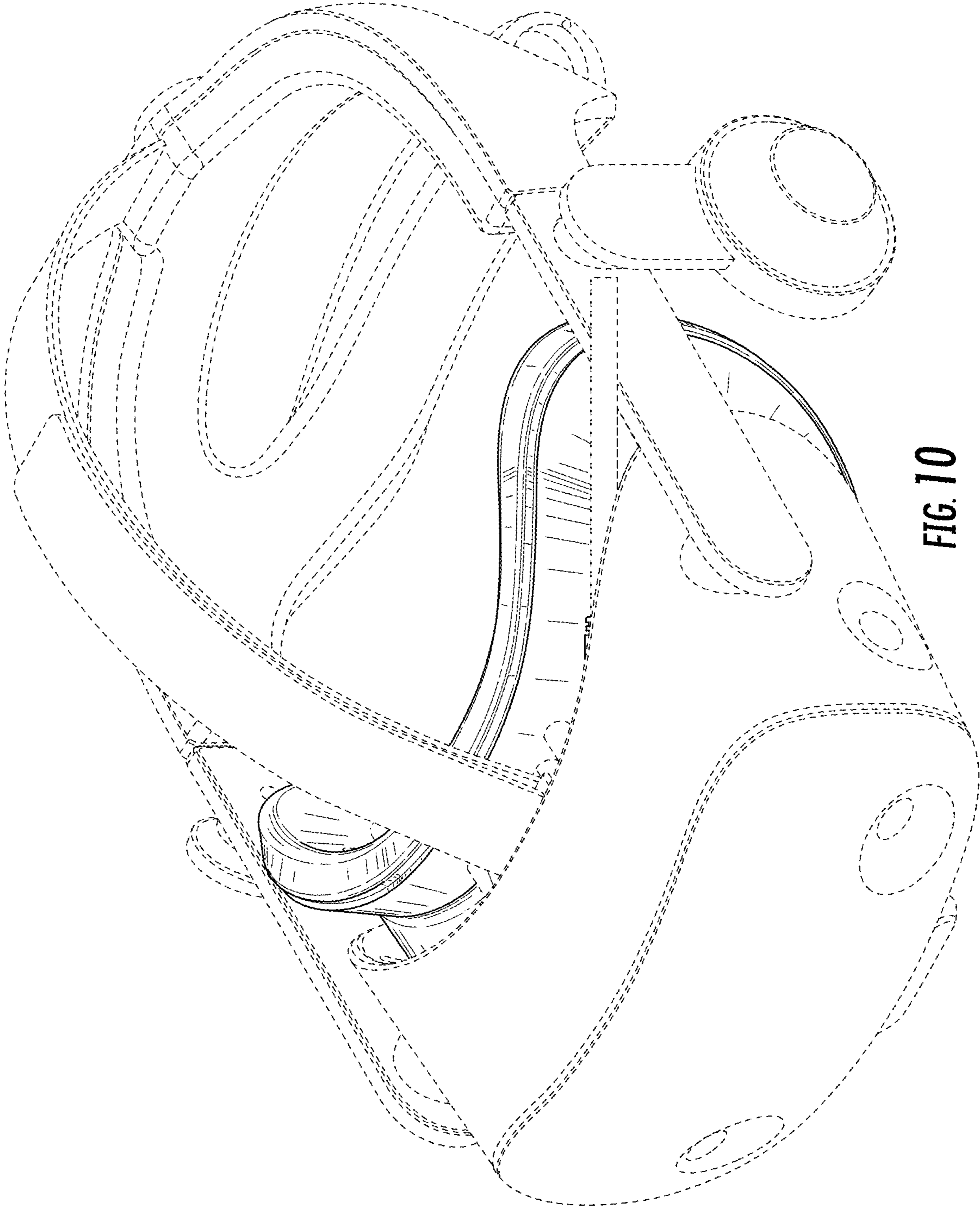
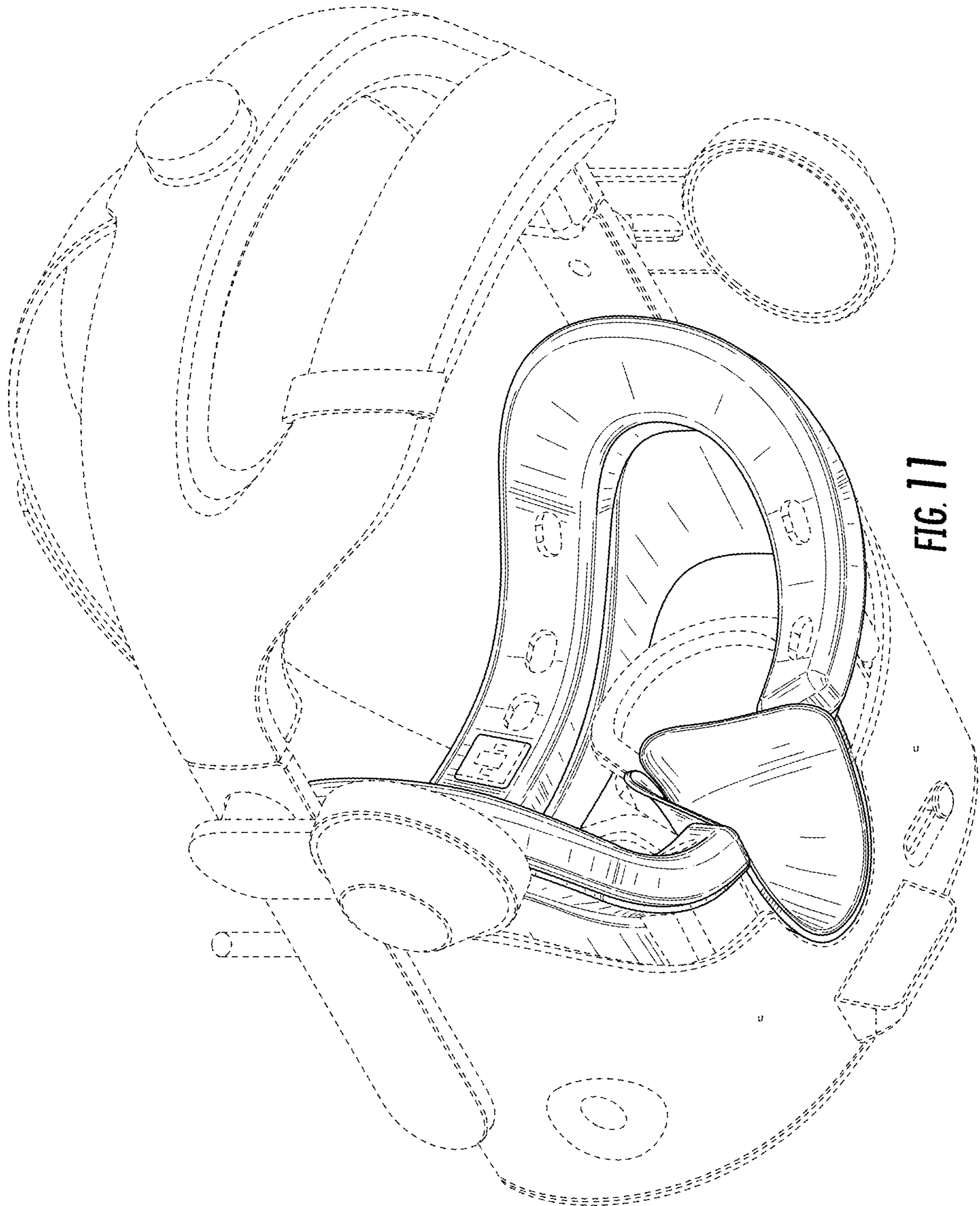


FIG. 10



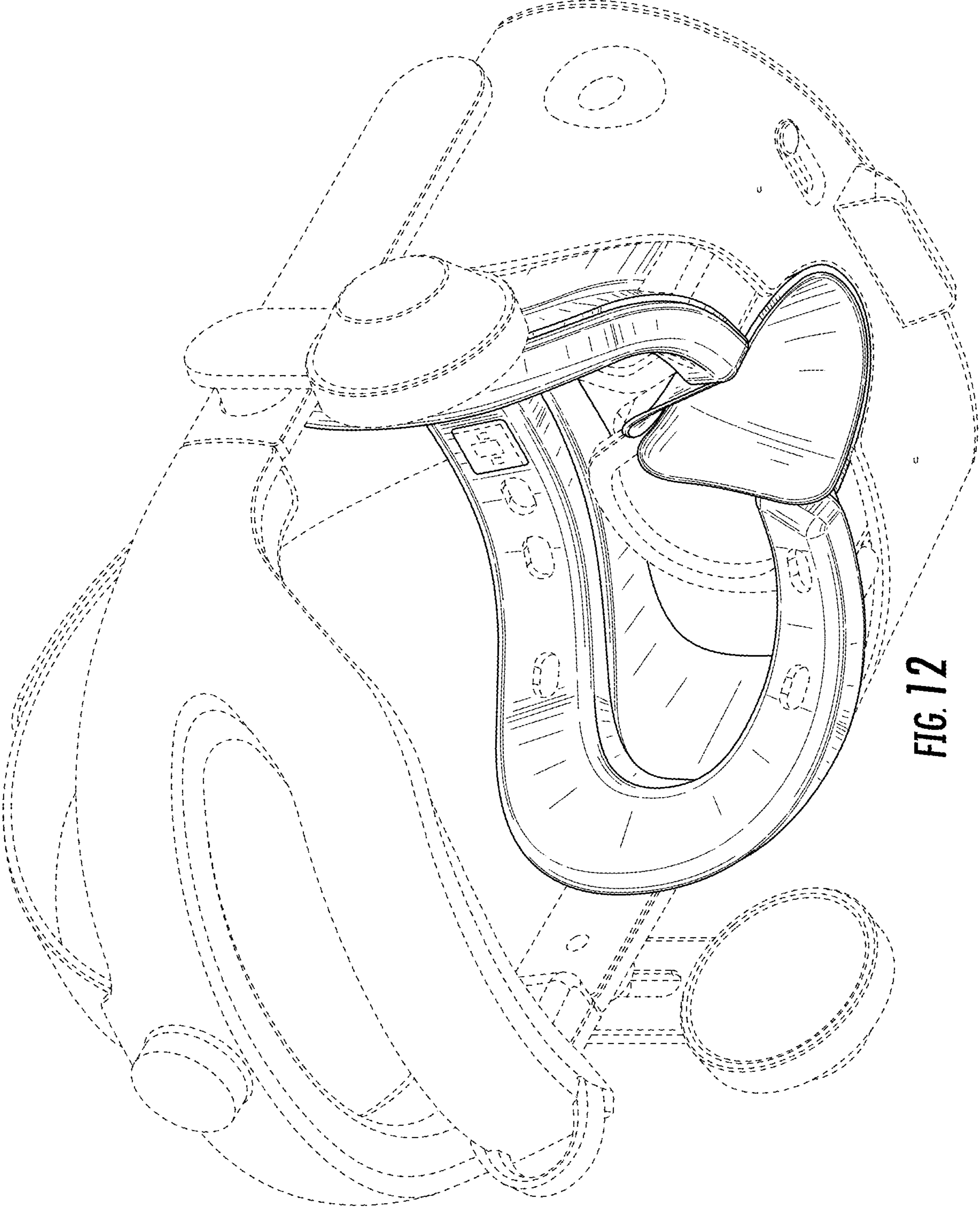


FIG. 12