



US00D937829S

(12) **United States Design Patent**  
**Tai**

(10) **Patent No.:** **US D937,829 S**

(45) **Date of Patent:** **\*\* Dec. 7, 2021**

(54) **PORTABLE MULTI-INTERFACE  
CONVERTER AND RETAINING CLIP IN  
COMBINATION**

(71) Applicant: **KAIJET TECHNOLOGY  
INTERNATIONAL CORPORATION,**  
New Taipei (TW)

(72) Inventor: **Yu-Chi Tai,** New Taipei (TW)

(73) Assignee: **Kaijet Technology International  
Corporation,** New Taipei (TW)

(\*\*) Term: **15 Years**

(21) Appl. No.: **29/736,514**

(22) Filed: **Jun. 1, 2020**

(51) **LOC (13) Cl.** ..... **14-02**

(52) **U.S. Cl.**  
USPC ..... **D14/357**

(58) **Field of Classification Search**  
USPC ..... D14/432-343, 357, 344, 140, 496, 401,  
D14/435, 474, 483, 209.1, 137, 138,  
(Continued)

(56) **References Cited**

**U.S. PATENT DOCUMENTS**

D784,340 S \* 4/2017 Laffon de Mazieres .... D14/433  
D844,006 S \* 3/2019 Molnar ..... D14/434  
(Continued)

**OTHER PUBLICATIONS**

USB-C™ to 4K 60 Hz HDMI™ Travel Dock for iPad Pro,  
en.j5create.com [online], [site visited Jul. 27, 2021], Available from  
internet URL: [https://en.j5create.com/collections/new-arrivals/  
products/jcd612](https://en.j5create.com/collections/new-arrivals/products/jcd612) (Year: 2021).\*

(Continued)

*Primary Examiner* — Samantha Q Lawrence  
*Assistant Examiner* — Holly M Rodriguez  
(74) *Attorney, Agent, or Firm* — Rosenberg, Klein & Lee

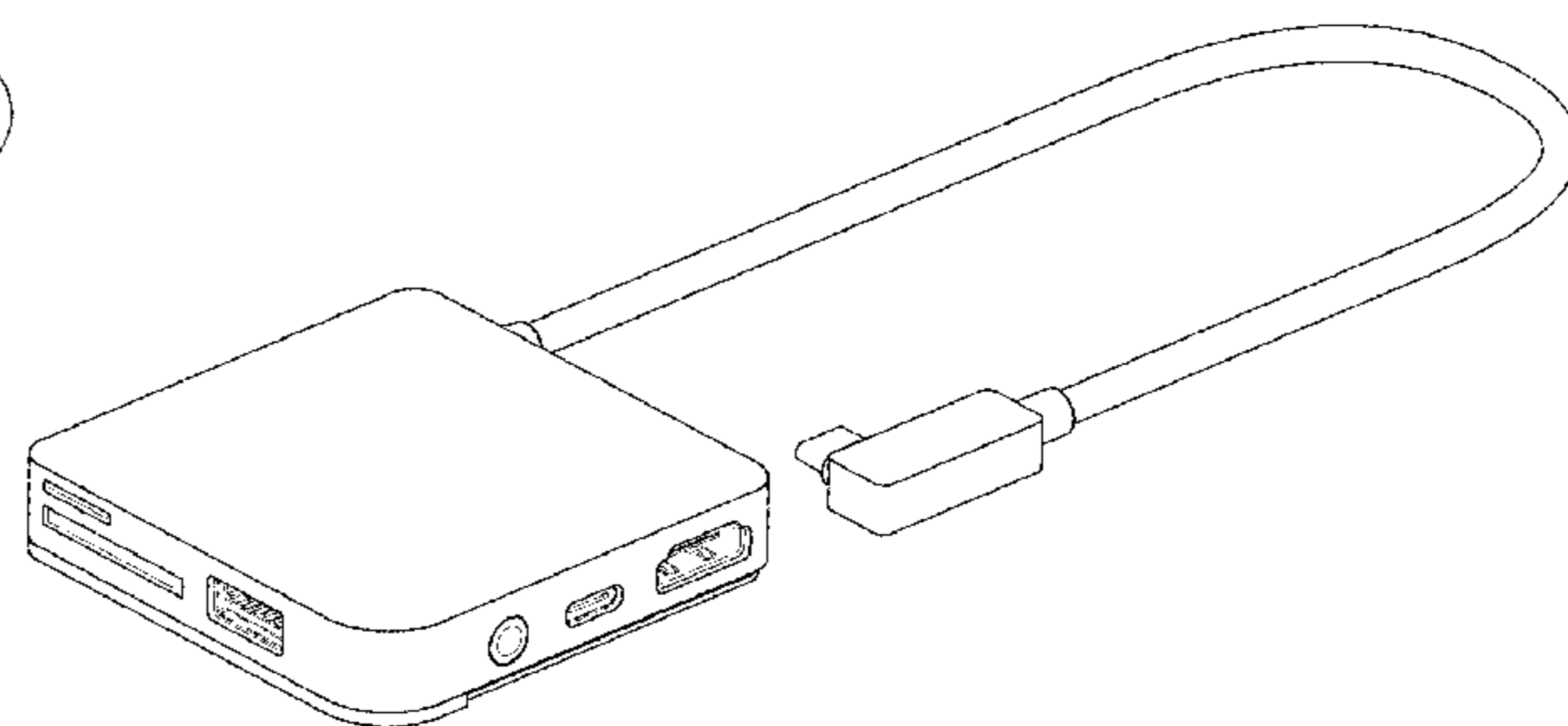
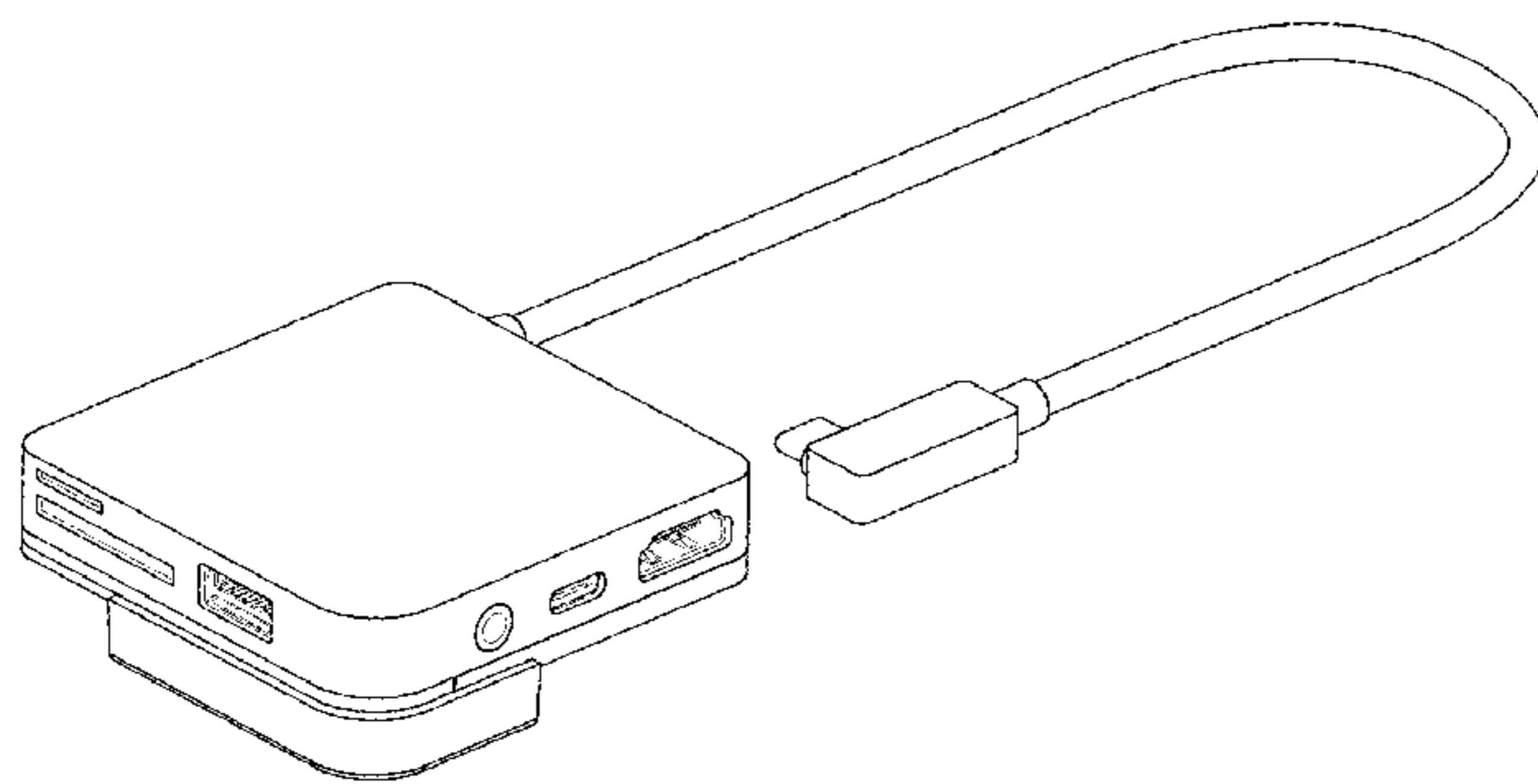
(57) **CLAIM**

The ornamental design for a portable multi-interface con-  
verter and retaining clip in combination, as shown and  
described.

**DESCRIPTION**

FIG. 1 is a perspective view of the portable multi-interface  
converter and retaining clip in combination showing my new  
design;  
FIG. 2 is a front elevation view thereof;  
FIG. 3 is a rear elevation view thereof;  
FIG. 4 is a right side view thereof;  
FIG. 5 is a left side view thereof;  
FIG. 6 is a top plan view thereof; and  
FIG. 7 is a bottom plan view thereof;  
FIG. 8 is a perspective view of the converter of the portable  
multi-interface converter and retaining clip in combination  
shown separated for clarity of illustration;  
FIG. 9 is a front elevation view thereof;  
FIG. 10 is a rear elevation view thereof;  
FIG. 11 is a right side view thereof;  
FIG. 12 is a left side view thereof;  
FIG. 13 is a top plan view thereof; and  
FIG. 14 is a bottom plan view thereof;  
FIG. 15 is a perspective view of the retaining clip of the  
portable multi-interface converter and retaining clip in com-  
bination shown separated for clarity of illustration;  
FIG. 16 is a front elevation view thereof;  
FIG. 17 is a rear elevation view thereof;  
FIG. 18 is a right side view thereof;  
FIG. 19 is a left side view thereof;  
FIG. 20 is a top plan view thereof; and  
FIG. 21 is a bottom plan view thereof.

**1 Claim, 21 Drawing Sheets**



**(58) Field of Classification Search**

USPC ..... D14/158–172, 356, 203.1–203.8, 507,  
 D14/155, 160–172, 212–218, 257, 258,  
 D14/341, 346, 299, 266, 358, 454–445,  
 D14/192, 221, 127–130, 211, 240, 243,  
 D14/247–249, 251, 329, 455, 206, 204,  
 D14/188, 147–151, 144, 142, 141.1,  
 D14/138 R, 138 AA, 138 AB, 138 G,  
 D14/138 AD; D3/215, 218, 904;  
 D21/517, 333, 331, 566; D24/165, 185,  
 D24/186; D18/1, 7; D10/104, 104.1,  
 D10/106, 65, 78, 104.2, 70, 31–32,  
 D10/38–38, 106.1, 106.3, 106.5;  
 D13/168; D11/3–5, 12, 19, 25;  
 D30/151–152

CPC ..... H04M 1/00; H04M 1/026; H04M 1/04;  
 H04M 1/6033; H04M 1/6041; H04M  
 3/02; H04M 3/005; H04M 3/56; H04M  
 3/564; H04M 3/568; H04M 9/02; H04M  
 9/022; H04M 9/08; H04M 1/003; H04M  
 1/02; H04M 1/03; H04M 1/0202; H04M  
 1/0295; H04M 1/0297; H04M 1/20;  
 H04M 1/21; H04M 1/22; H04M 1/23;  
 H04M 1/233; H04M 1/236; H04M  
 1/0289; H04M 1/0214; H04M 1/253;  
 H04M 1/2535; H04M 7/006; H04R 1/00;  
 H04R 1/02; H04R 1/403; H04R 1/406;  
 H04N 7/14; H04N 7/142; H04N 7/147;  
 A63H 33/30; A63H 33/3016

See application file for complete search history.

**(56) References Cited**

U.S. PATENT DOCUMENTS

D852,797 S *	7/2019	Green .....	D14/433
D854,018 S *	7/2019	Liao .....	D14/434
D864,206 S *	10/2019	Wang .....	D14/433
D880,479 S *	4/2020	Liao .....	D14/433
D881,890 S *	4/2020	Wen .....	D14/433
D893,487 S *	8/2020	Liao .....	D14/433
D899,364 S *	10/2020	Zhang .....	D13/110
D904,411 S *	12/2020	Zhang .....	D14/433
D905,063 S *	12/2020	Liu .....	D14/434
D911,347 S *	2/2021	Zhang .....	D14/433
D924,239 S *	7/2021	Yang .....	D14/434
D924,874 S *	7/2021	Yang .....	D14/434

OTHER PUBLICATIONS

J5create USB-C™ to 4K 60 Hz HDMI™ Travel Dock Compatible with iPad Pro, first available Jan. 28, 2021, newegg.com, [online], [site visited Feb. 6, 2021], Available from internet URL: <https://www.newegg.com/j5create-jcd612-silver/p/1DN-0025-00041>, (Year: 2021).\*

6-in-1 Multiport USB-C Docking Station for iPad Pro 11-in. and 12.9-in. (3rd Gen), kanex.com, [online], [site visited Jul. 23, 2021], Available from internet URL: <https://www.kanex.com/usbc-ipad-docking-station> (Year: 2021).\*

Belkin Thunderbolt 3 Dock Core (Mac and Windows) w/ Thunderbolt 3 Cable Dual 4K @60Hz, first available Aug. 20, 2020, newegg.com, [online], [site visited Jul. 23, 2021], Available from internet URL: <https://www.newegg.com/belkin-f4u110bt/p/N82E16834976979> (Year: 2020).\*

\* cited by examiner

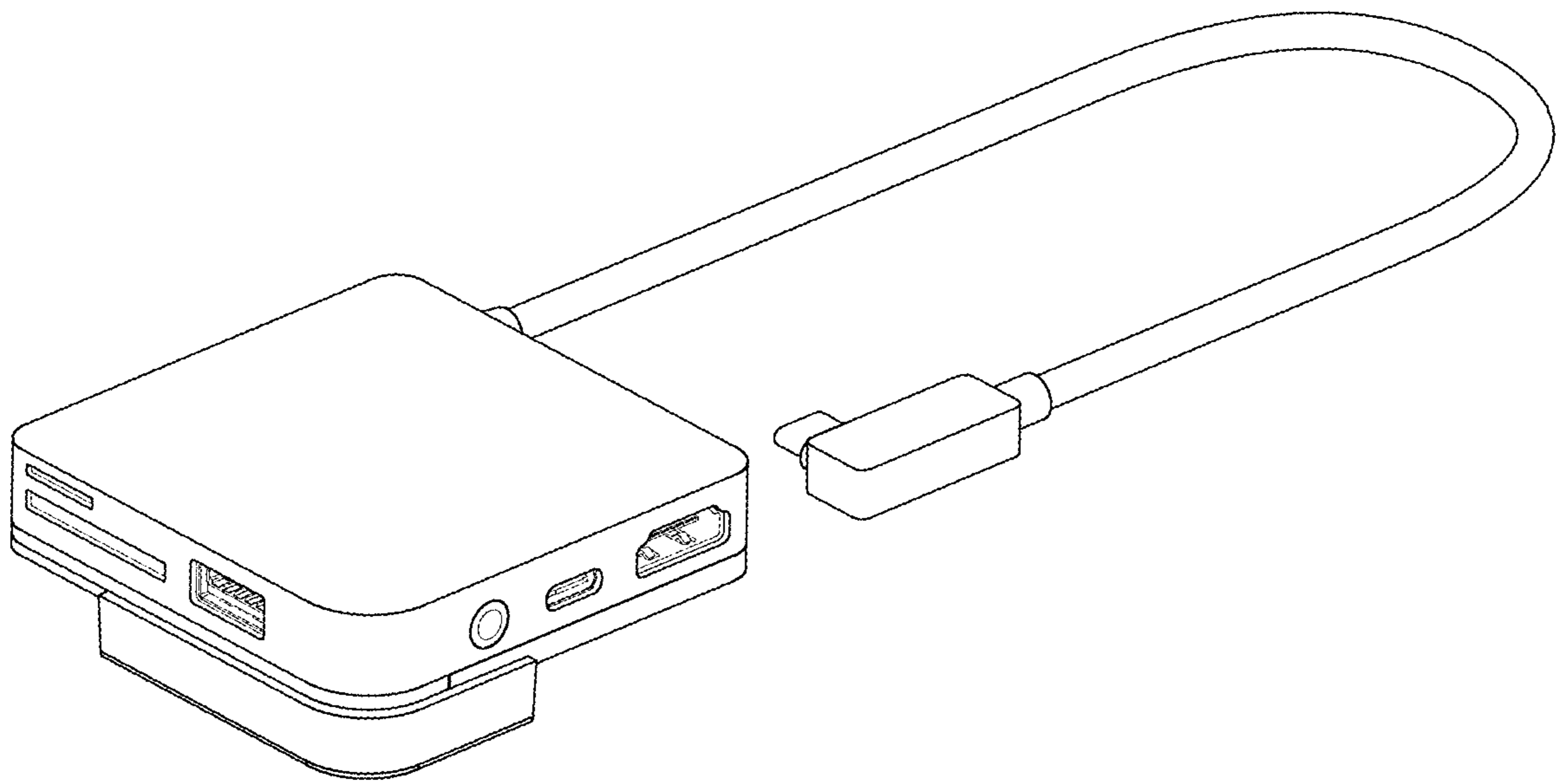


Fig. 1

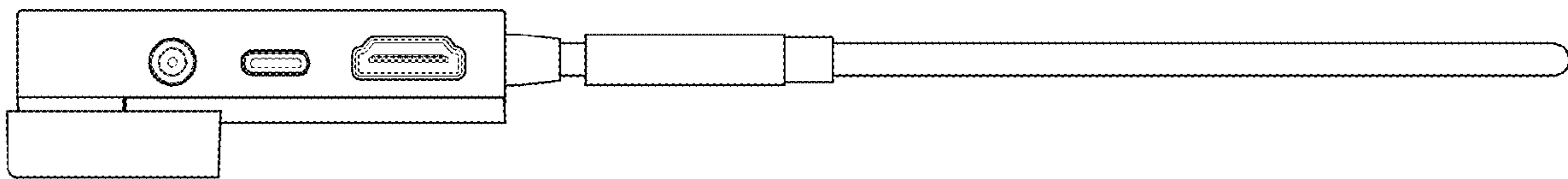


Fig. 2

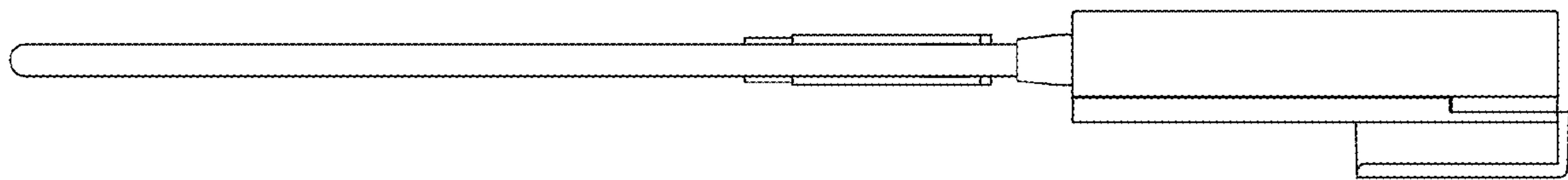


Fig. 3

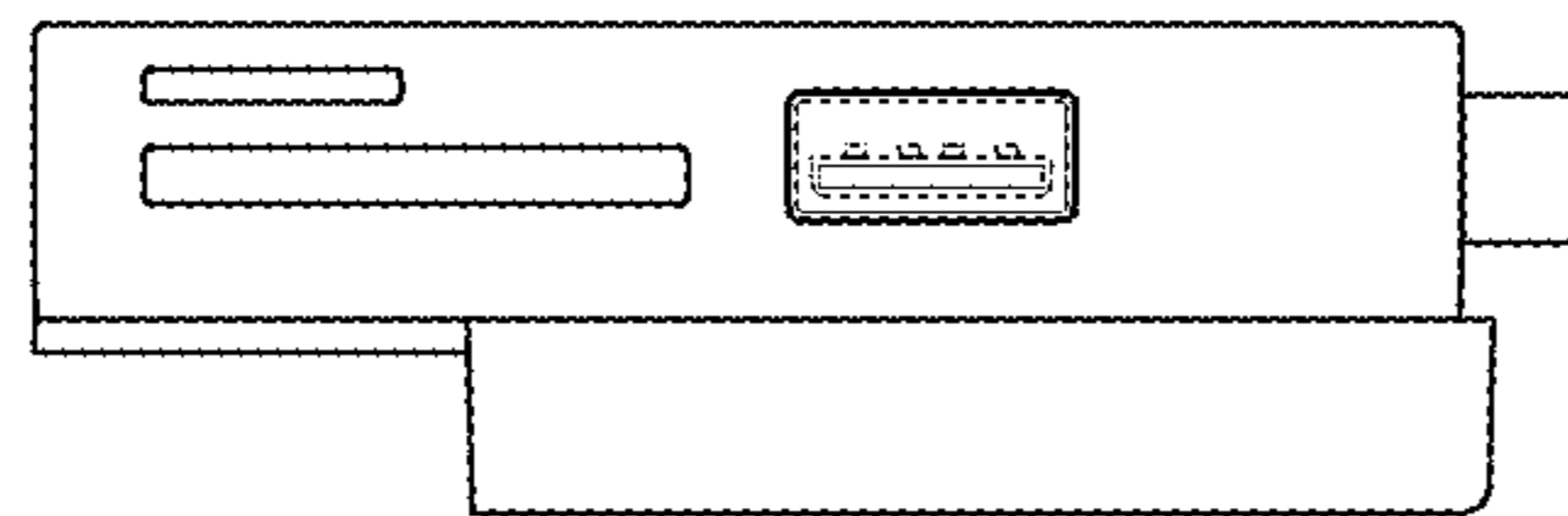


Fig. 4

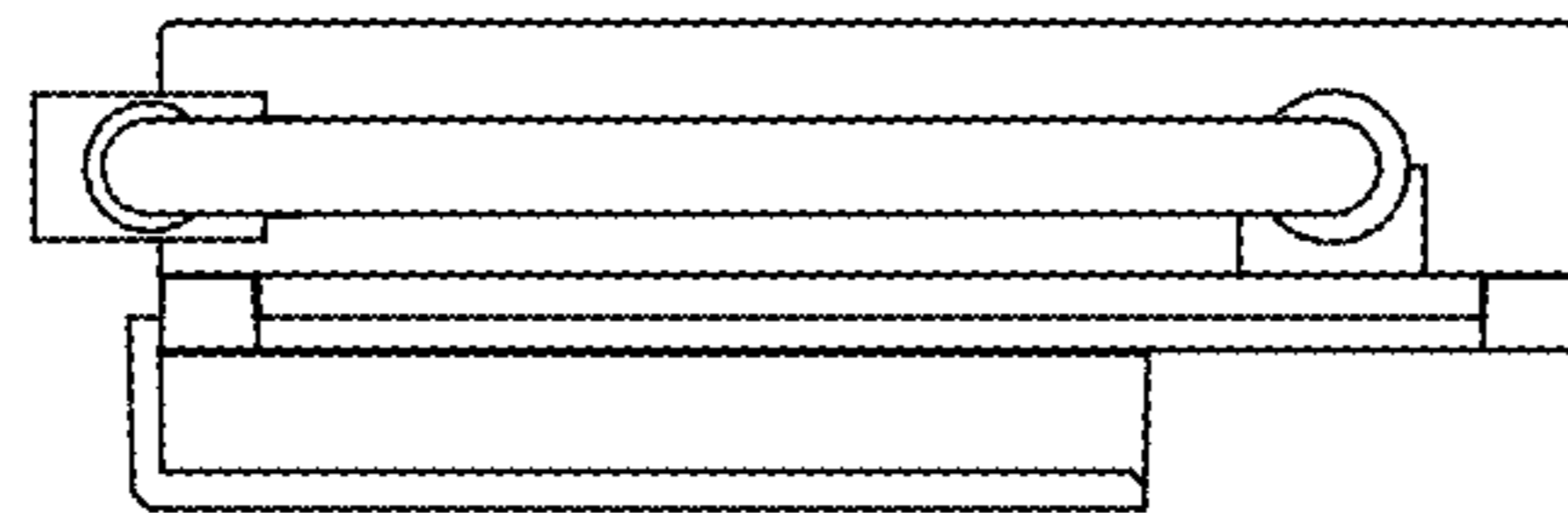


Fig. 5

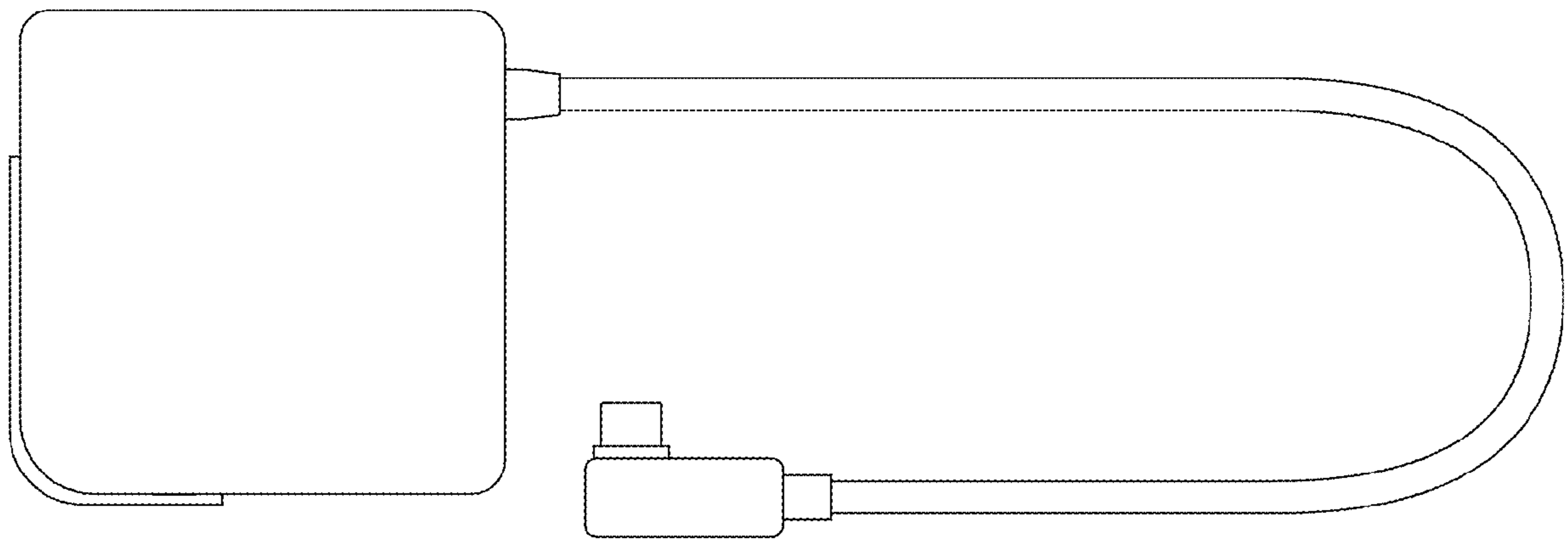


Fig. 6



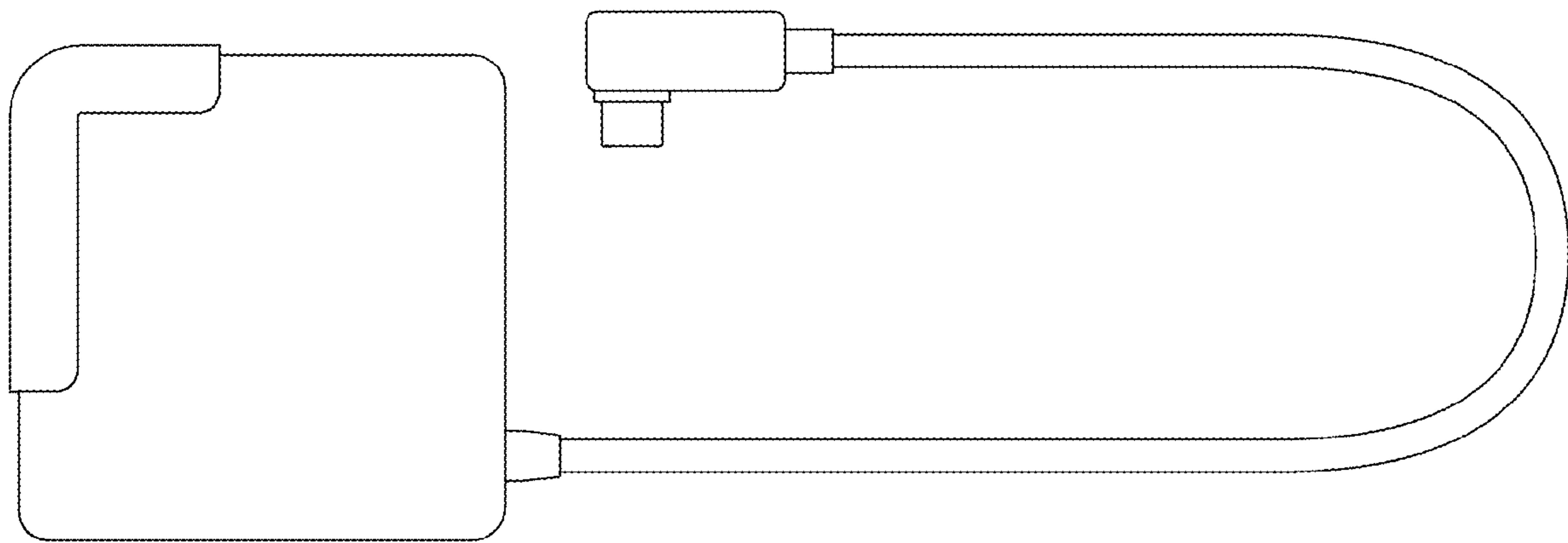


Fig. 7

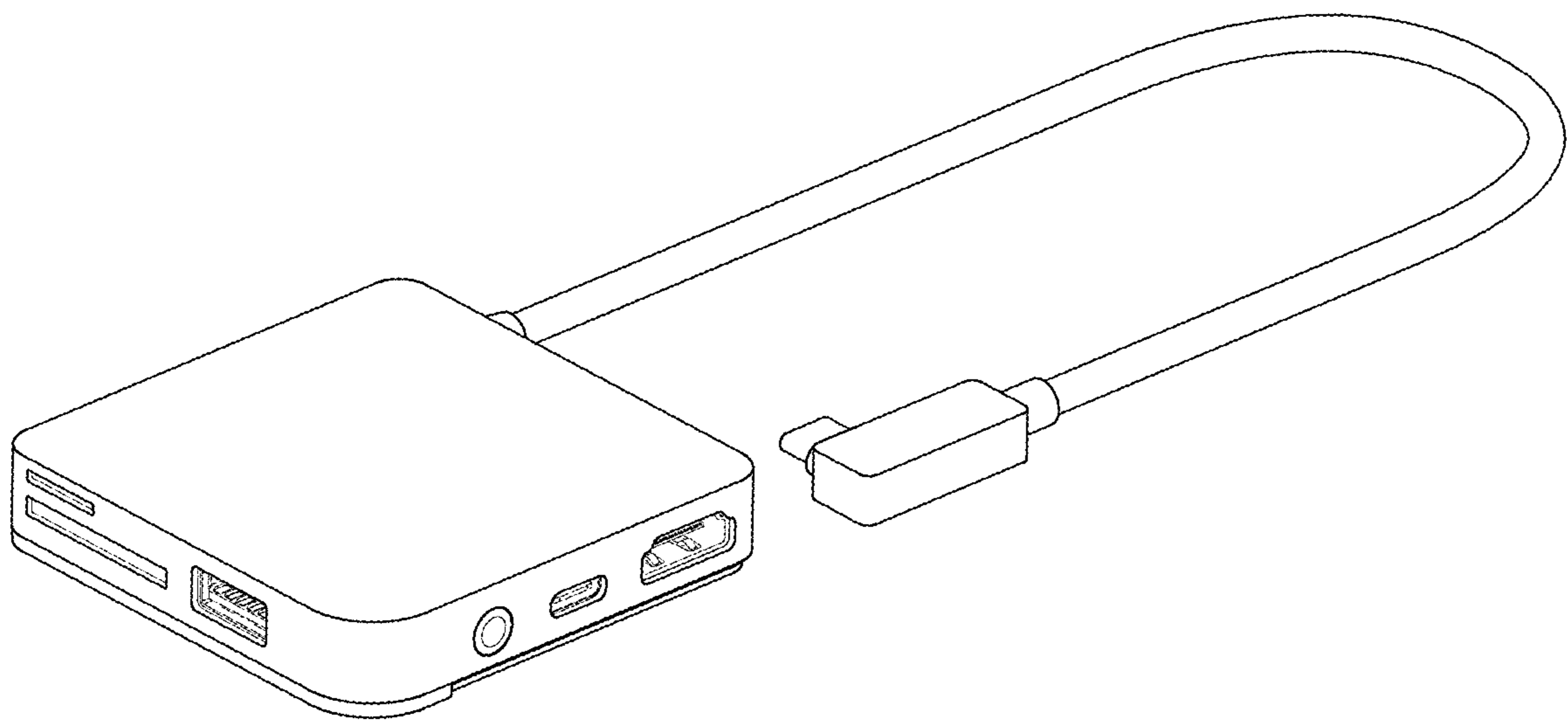


Fig. 8

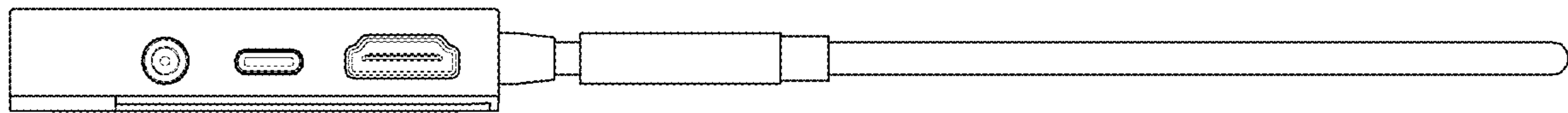


Fig. 9

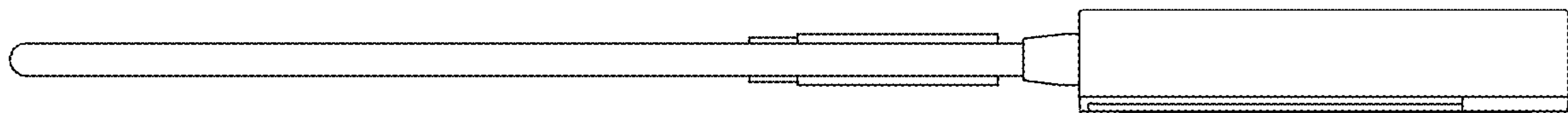


Fig. 10

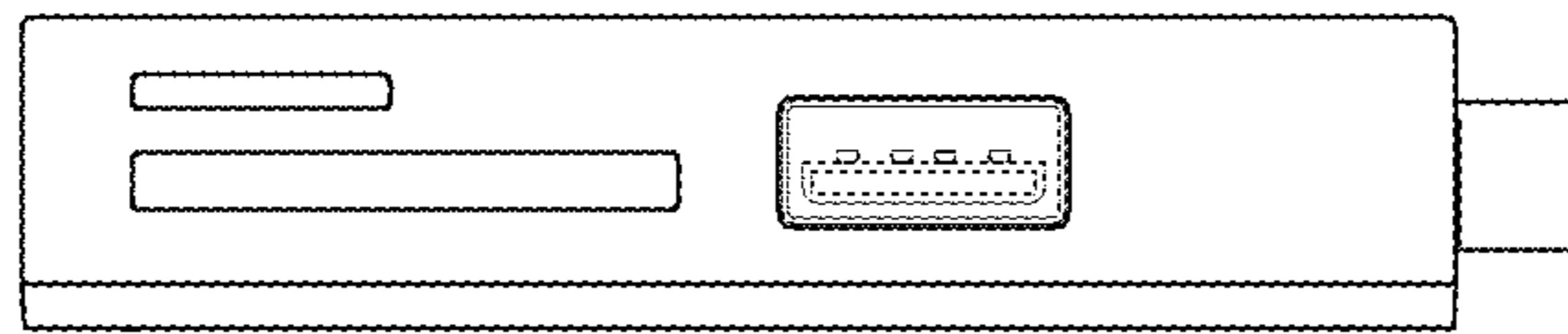


Fig. 11

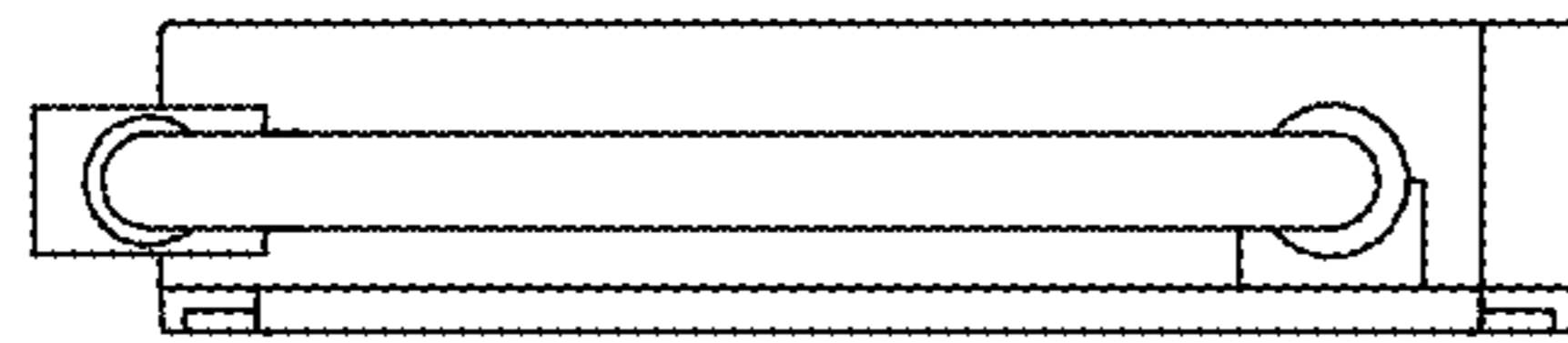


Fig. 12

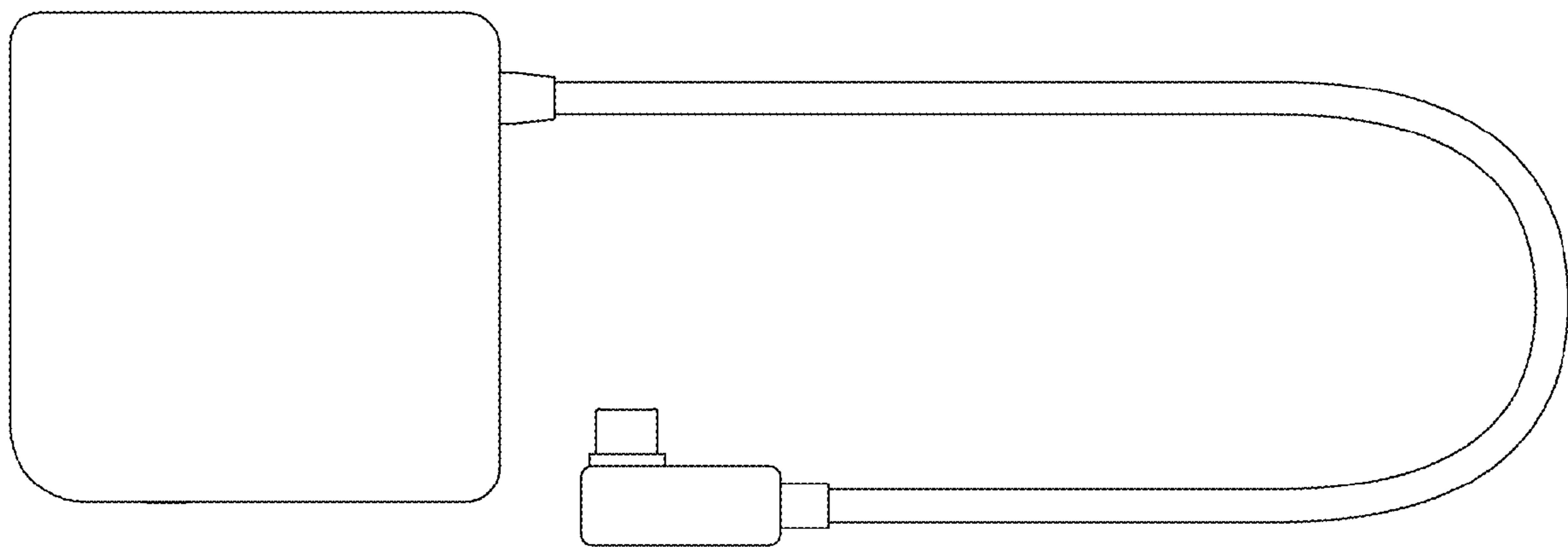


Fig. 13

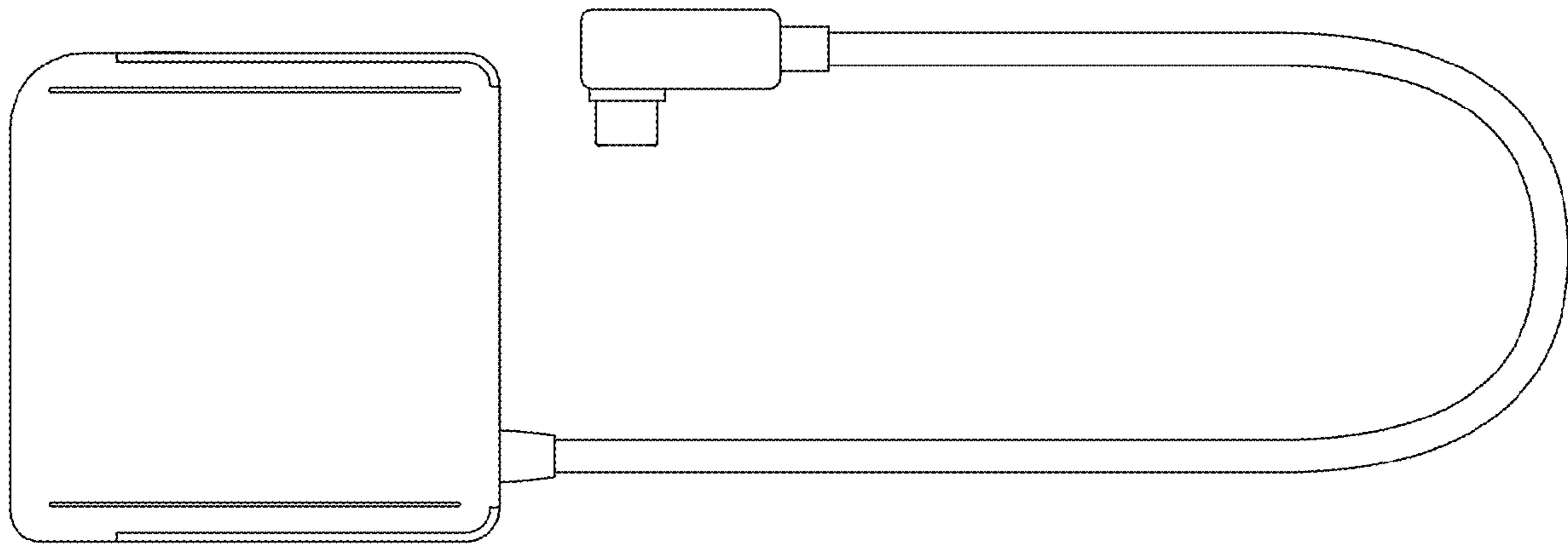


Fig. 14



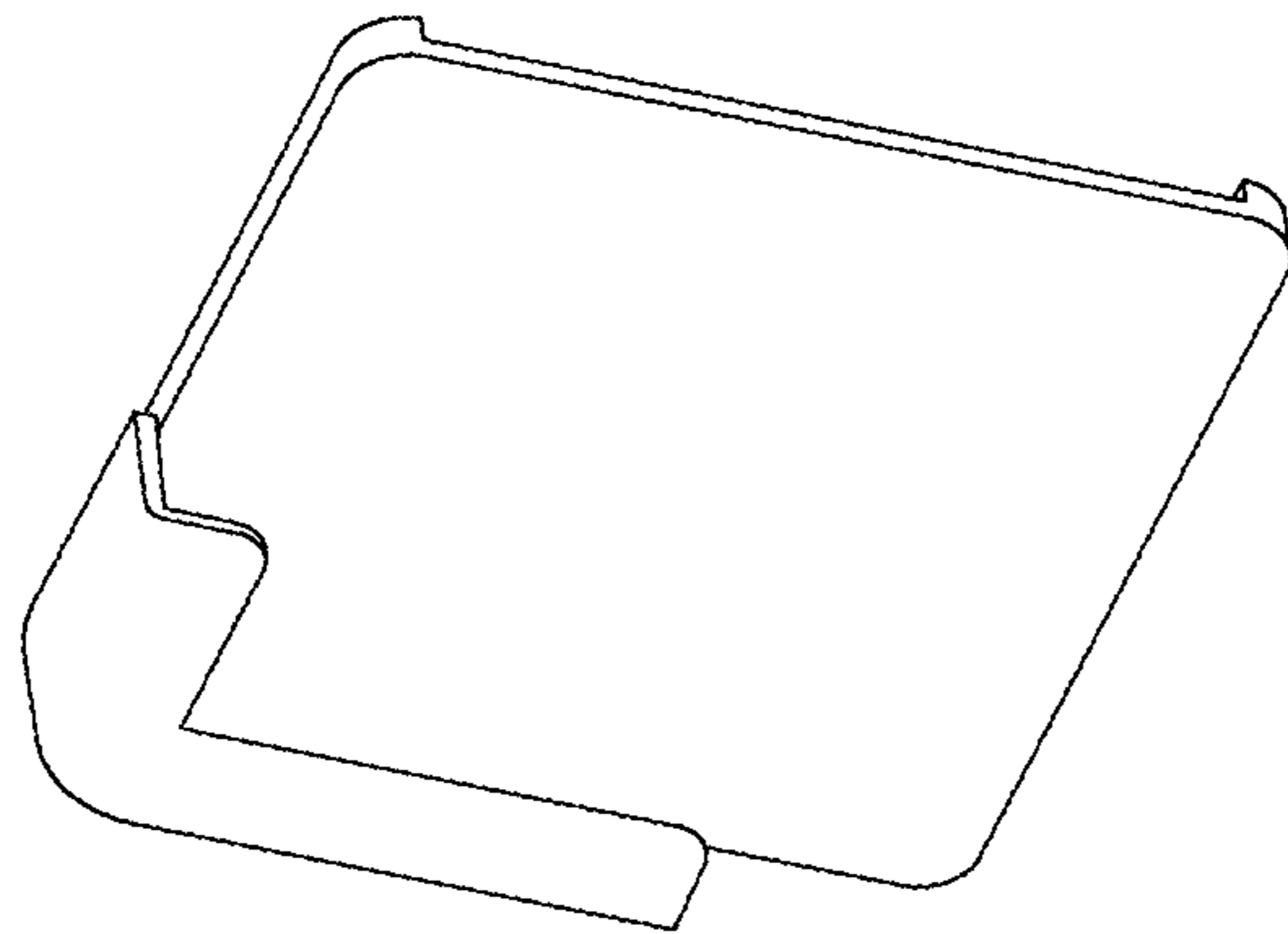


Fig. 15

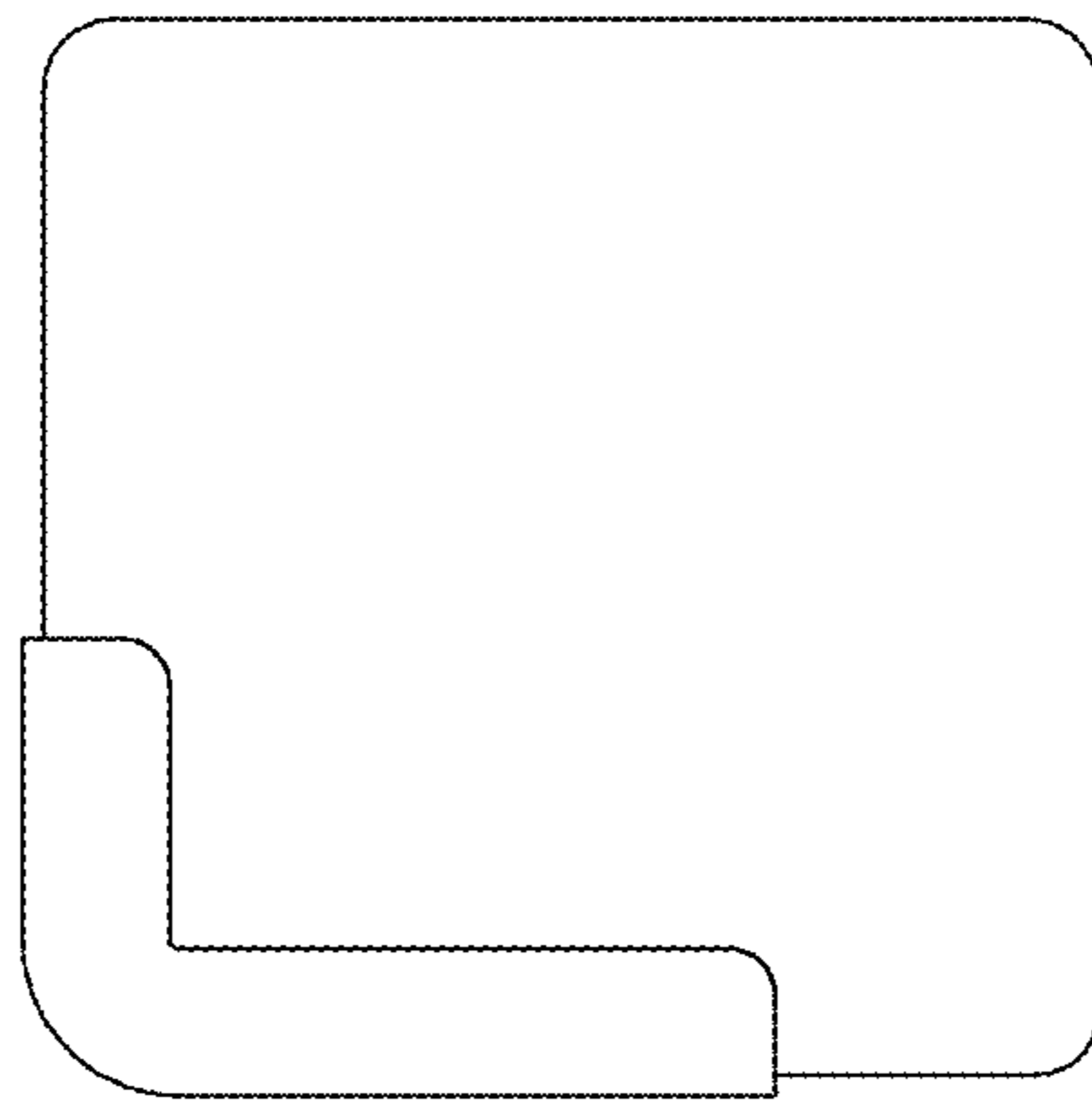


Fig. 16

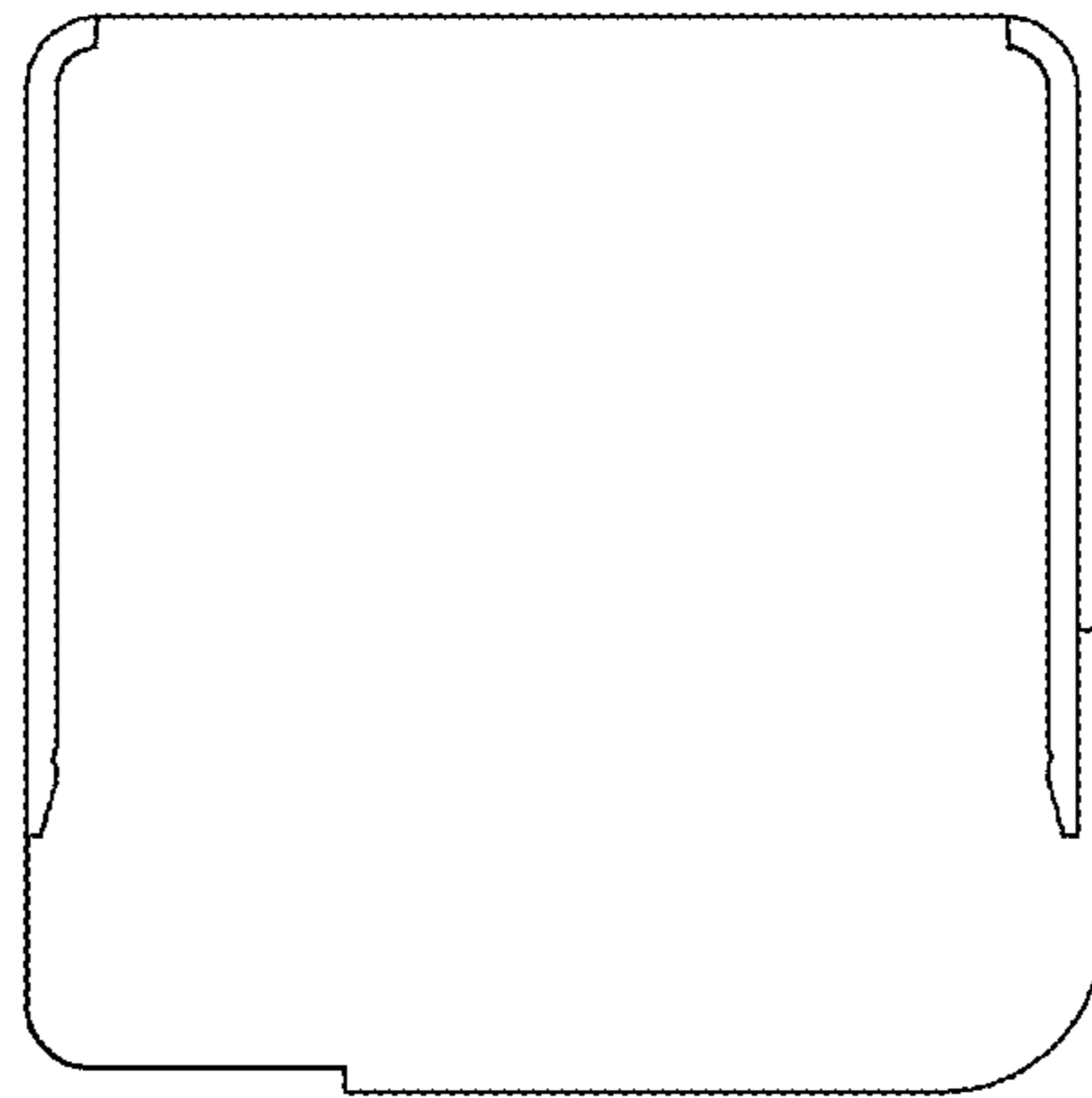


Fig. 17



Fig. 18

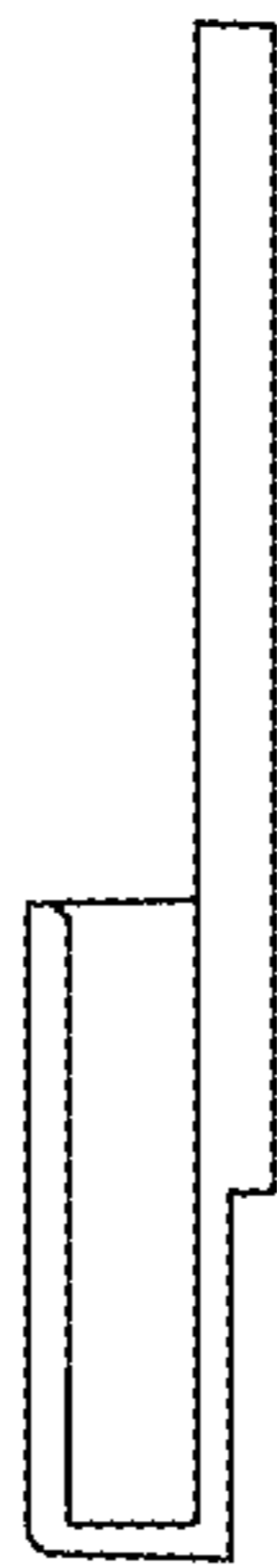


Fig. 19

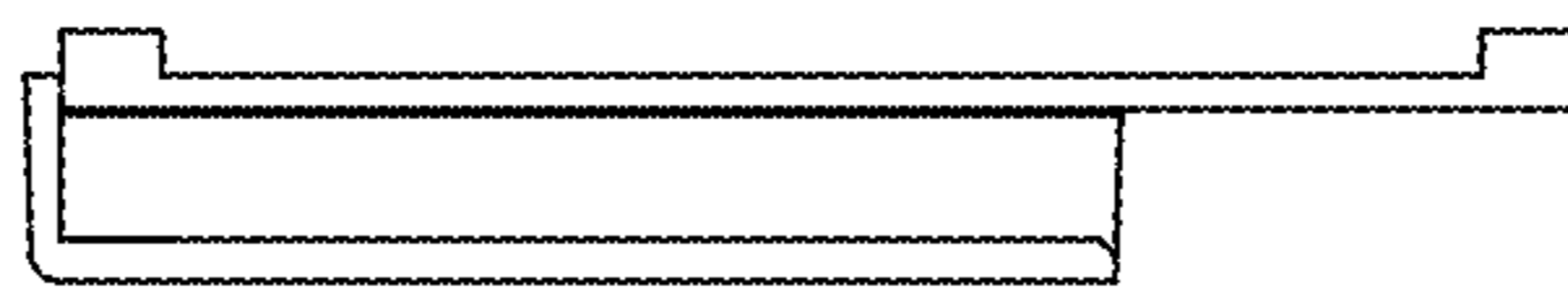


Fig. 20



Fig. 21