



US00D937828S

(12) **United States Design Patent**  
**Glynn**

(10) **Patent No.:** **US D937,828 S**

(45) **Date of Patent:** **\*\* Dec. 7, 2021**

(54) **WEARABLE DEVICE CORE AND HOLDER**

(71) Applicant: **Gabriel Glynn**, Ankeny, IA (US)

(72) Inventor: **Gabriel Glynn**, Ankeny, IA (US)

(73) Assignee: **MAKUSAFE CORP.**, West Des Moines, IA (US)

(\*\*) Term: **15 Years**

(21) Appl. No.: **29/730,666**

(22) Filed: **Apr. 7, 2020**

**Related U.S. Application Data**

(63) Continuation of application No. 16/689,303, filed on Nov. 20, 2019, now Pat. No. 11,030,875, which is a  
(Continued)

(51) **LOC (13) Cl.** ..... **14-02**

(52) **U.S. Cl.**  
USPC ..... **D14/344**

(58) **Field of Classification Search**  
USPC ..... D14/432-343, 357, 344, 140, 496, 401,  
D14/435, 474, 483, 209.1, 137, 138,  
(Continued)

(56) **References Cited**

**U.S. PATENT DOCUMENTS**

D654,462 S \* 2/2012 Nara ..... D14/138 G  
8,140,131 B1 \* 3/2012 Green ..... H04B 1/385  
455/575.1

(Continued)

**OTHER PUBLICATIONS**

MakuSafe, surfaceink.com/, [online], [site visited Jul. 23, 2021], Available from internet URL: <https://surfaceink.com/portfolio-item/makusafe-industrial-iot/> (Year: 2021).\*

(Continued)

*Primary Examiner* — Samantha Q Lawrence

*Assistant Examiner* — Holly M Rodriguez

(74) *Attorney, Agent, or Firm* — Christopher A. Proskey; BrownWinick Law Firm

(57) **CLAIM**

I claim the ornamental design for a wearable device core and holder, substantially as shown and described.

**DESCRIPTION**

FIG. 1 is a top-front perspective view of a wearable device core situated within a holder with a band connected to the holder;

FIG. 2 is another top-front perspective view of a wearable device core situated within a holder with a band connected to the holder;

FIG. 3 is a front elevational view of a wearable device core situated within a holder with a band connected to the holder;

FIG. 4 is another front elevational view of a wearable device core situated within a holder;

FIG. 5 is a top elevational view of a wearable device core situated within a holder;

FIG. 6 is a bottom elevational view of a wearable device core situated within a holder;

FIG. 7 is a right elevational view of a wearable device core situated within a holder;

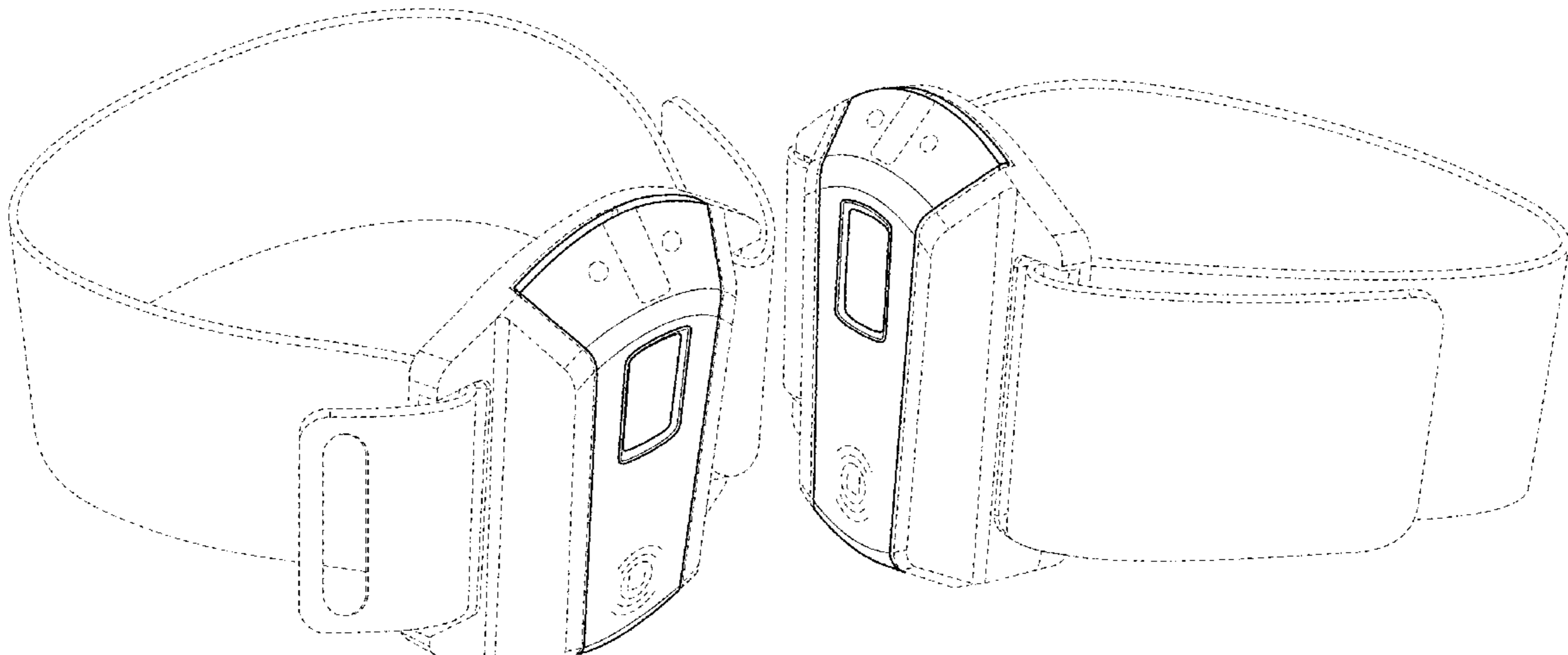
FIG. 8 is a left elevational view of a wearable device core situated within a holder;

FIG. 9 is a front-right perspective view of a wearable device core situated within a holder; and,

FIG. 10 is top-left perspective view of a wearable device core situated within a holder.

The broken lines shown in FIGS. 1-10 illustrate portions of the wearable device and holder that form no part of the claimed design. the additional broken lines that show the band in FIGS. 1-3 illustrate environment and form no part of the claimed design.

**1 Claim, 8 Drawing Sheets**



**Related U.S. Application Data**

continuation of application No. 16/124,287, filed on Sep. 7, 2018, now Pat. No. 10,522,024, which is a continuation of application No. 15/614,835, filed on Jun. 6, 2017, now Pat. No. 10,096,230.

(58) **Field of Classification Search**

USPC ..... D14/158–172, 356, 203.1–203.8, 507, D14/155, 212–218, 257, 258, 341, 346, D14/299, 266, 358, 454–445, 192, 221, D14/127–130, 211, 240, 243, 247–249, D14/251, 329, 455, 206, 204, 188, D14/147–151, 144, 142, 141.1, 138 R, D14/138 AA, 138 AB, 138 G, 138 AD; D3/215, 218, 904; D21/517, 333, 331, D21/566; D24/165, 185, 186; D18/1, 7; D10/104, 104.1, 106, 65, 78, 104.2, 70, D10/31–32, 38–38, 106.1, 106.3, 106.5; D13/168; D11/3–5, 12, 19, 25; D30/151–152  
 CPC ..... H04M 1/00; H04M 1/026; H04M 1/04; H04M 1/6033; H04M 1/6041; H04M 3/02; H04M 3/005; H04M 3/56; H04M 3/564; H04M 3/568; H04M 9/02; H04M 9/022; H04M 9/08; H04M 1/003; H04M 1/02; H04M 1/03; H04M 1/0202; H04M 1/0295; H04M 1/0297; H04M 1/20; H04M 1/21; H04M 1/22; H04M 1/23; H04M 1/233; H04M 1/236; H04M 1/0289; H04M 1/0214; H04M 1/253; H04M 1/2535; H04M 7/006; H04R 1/00; H04R 1/02; H04R 1/403; H04R 1/406; H04N 7/14; H04N 7/142; H04N 7/147;

A63H 33/30; A63H 33/3016

See application file for complete search history.

(56)

**References Cited**

U.S. PATENT DOCUMENTS

D675,946	S	*	2/2013	Chan	.....	D10/65
D680,990	S	*	4/2013	Hashimoto	.....	D14/138 G
D687,004	S	*	7/2013	Behling	.....	D14/138 R
D709,846	S	*	7/2014	Oswaks	.....	D14/138 R
D783,021	S	*	4/2017	Peel	.....	D14/388
D799,353	S	*	10/2017	Qu	.....	D10/104.2
D823,311	S	*	7/2018	Oberpriller	.....	D14/453
10,395,160	B2	*	8/2019	Vera Manero	.....	G08B 21/0202
D882,541	S	*	4/2020	Xu	.....	D14/138 G
2007/0285258	A1	*	12/2007	Hartman	.....	G08B 21/22 340/573.1
2008/0139952	A1	*	6/2008	Kuroda	.....	A61B 5/4866 600/508
2009/0088689	A1	*	4/2009	Carter	.....	A61M 5/1424 604/151
2010/0298661	A1	*	11/2010	McCombie	.....	G16H 50/50 600/301
2017/0352242	A1	*	12/2017	Glynn	.....	G08B 21/0469

OTHER PUBLICATIONS

The MākuSafe® Hardware Solution, makusafe.com, [online], [site visited Jul. 23, 2021], Available from internet URL: <https://makusafe.com/hardware/> (Year: 2021).\*

He World's 1st Wearable Solution to Prevent Shoulder and Back Injuries, first available Oct. 5, 2020, ohsonline.com, [online], [site visited Jul. 23, 2021], Available from internet URL: <https://ohsonline.com/articles/2020/10/05/the-worlds-1st-wearable-solution-to-prevent.aspx> (Year: 2020).\*

\* cited by examiner

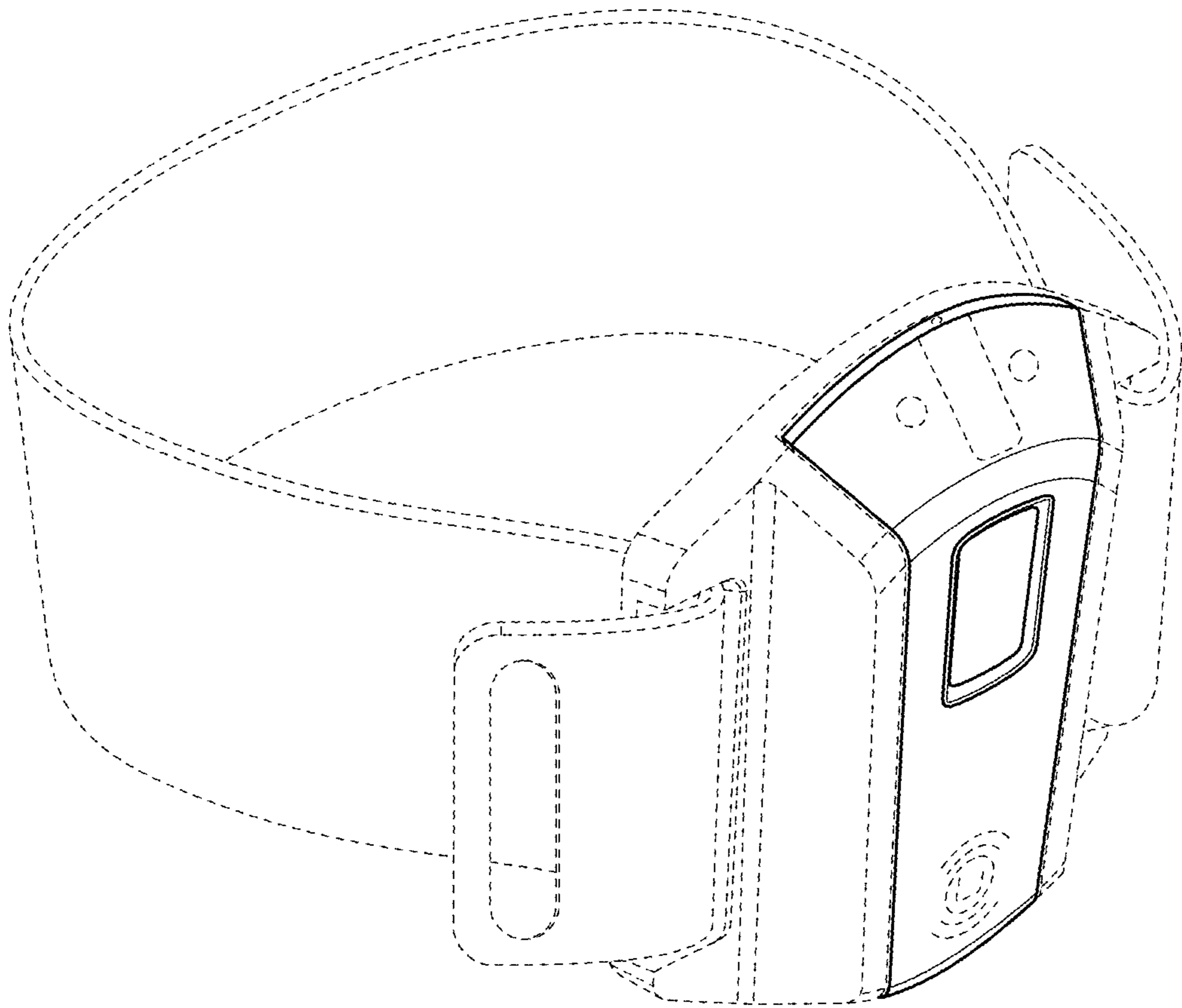


FIG. 1

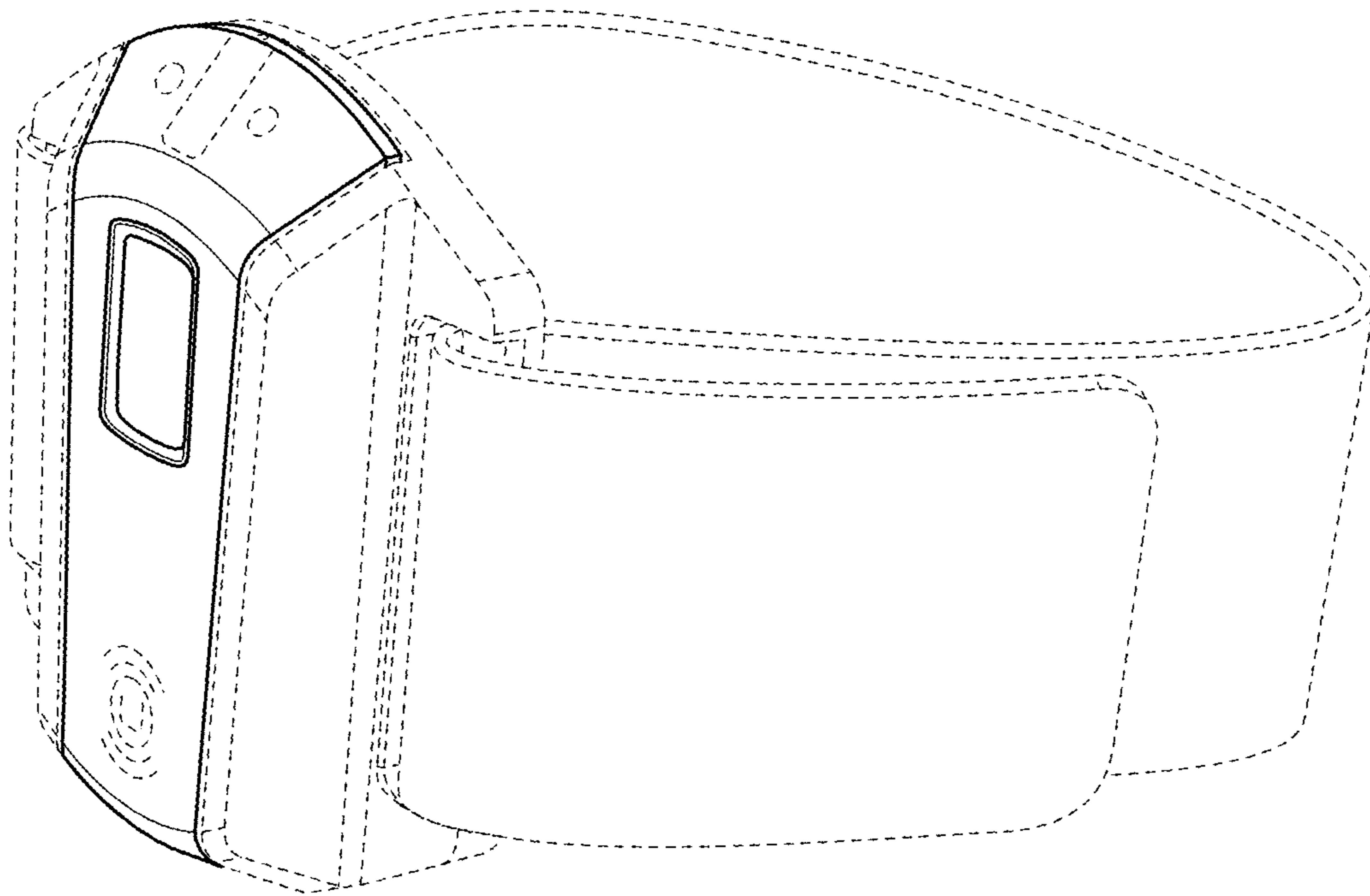


FIG. 2



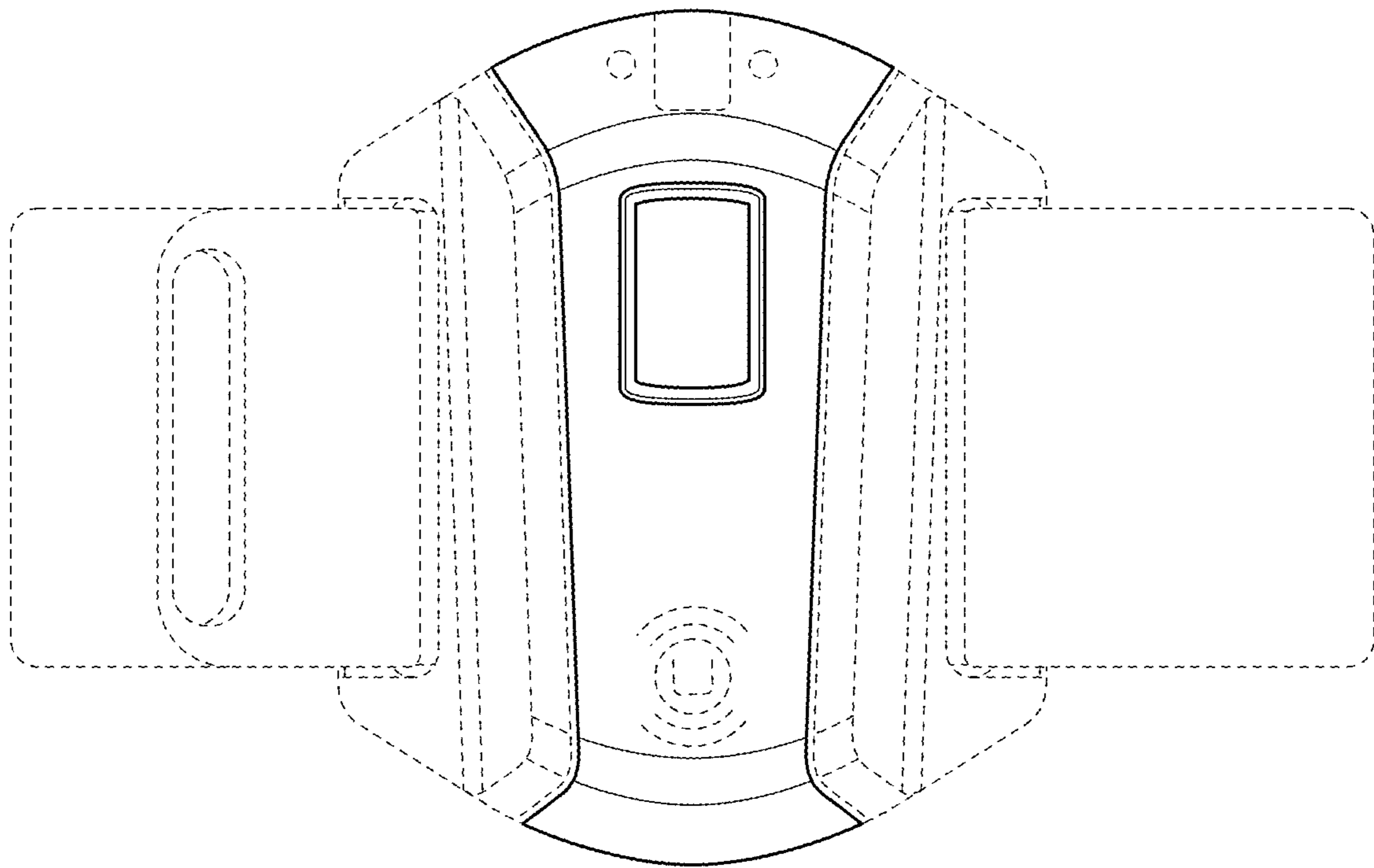


FIG. 3

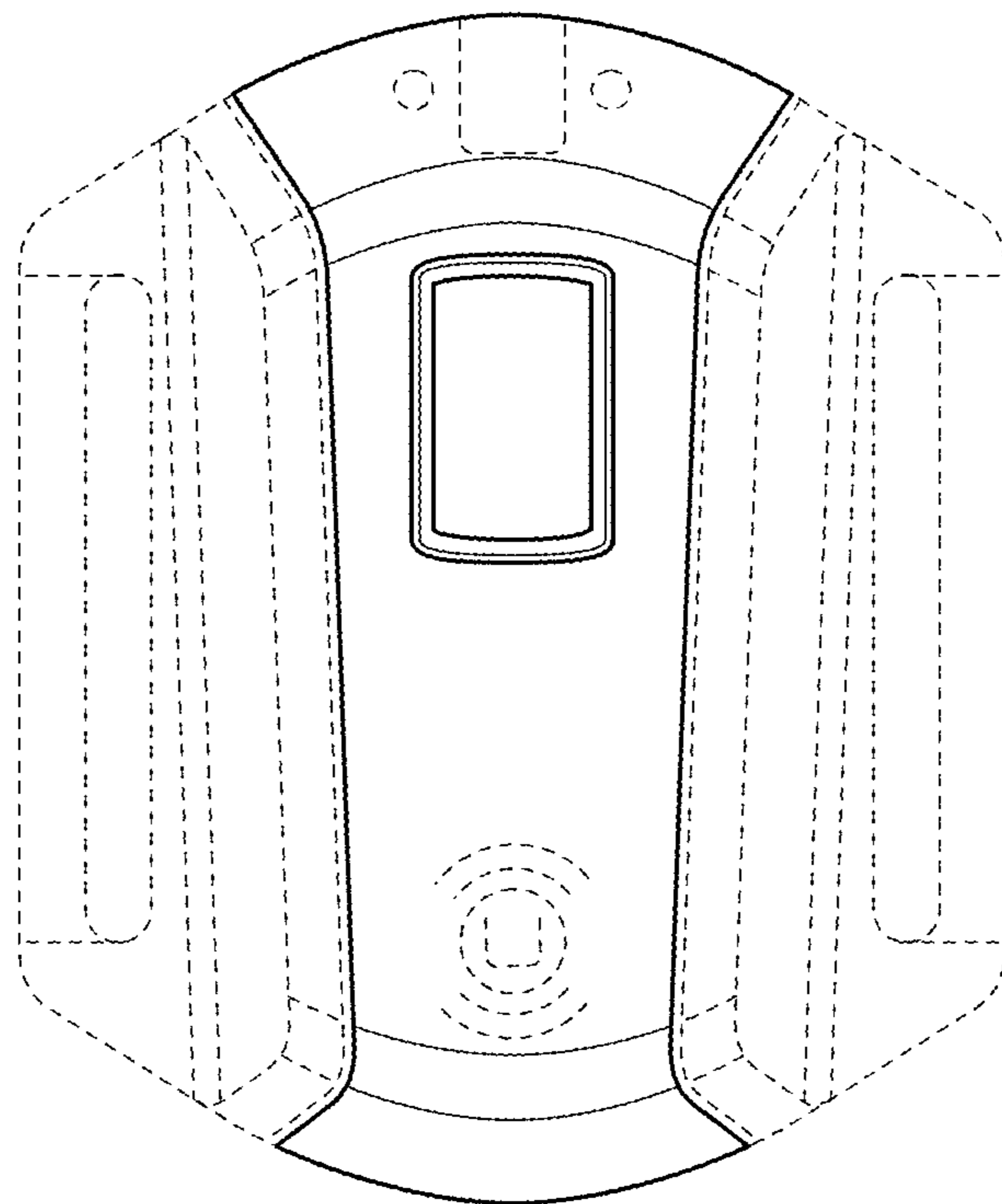


FIG. 4

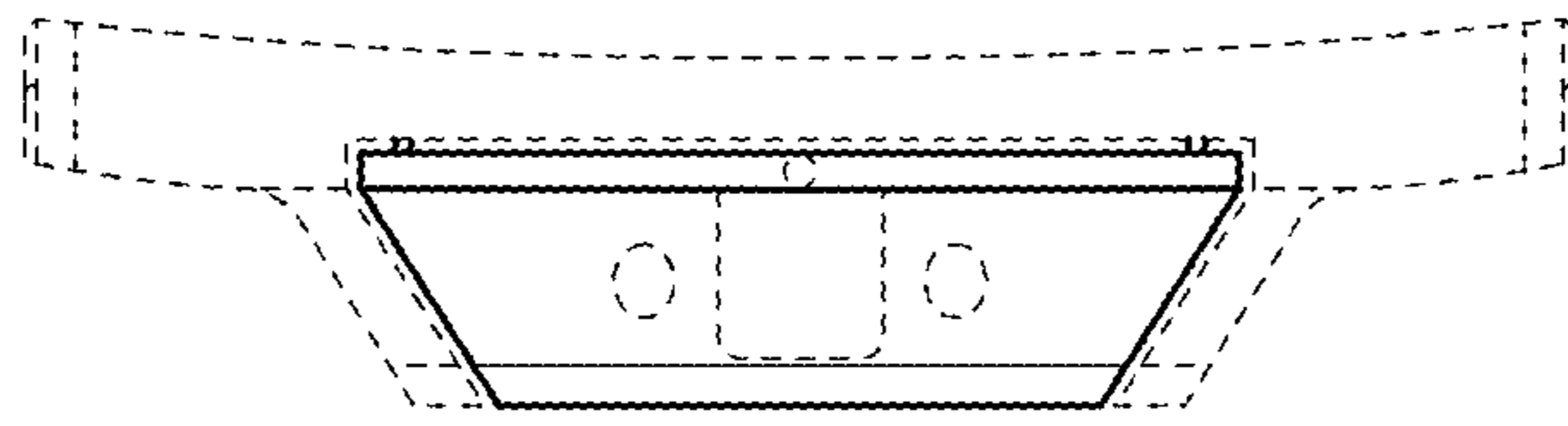


FIG. 5

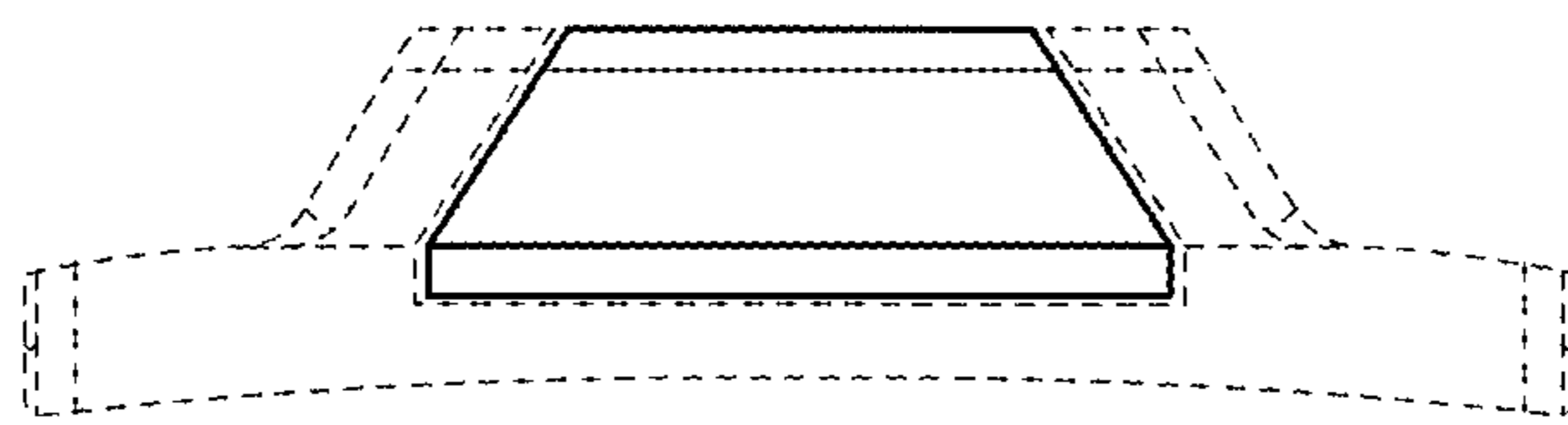


FIG. 6

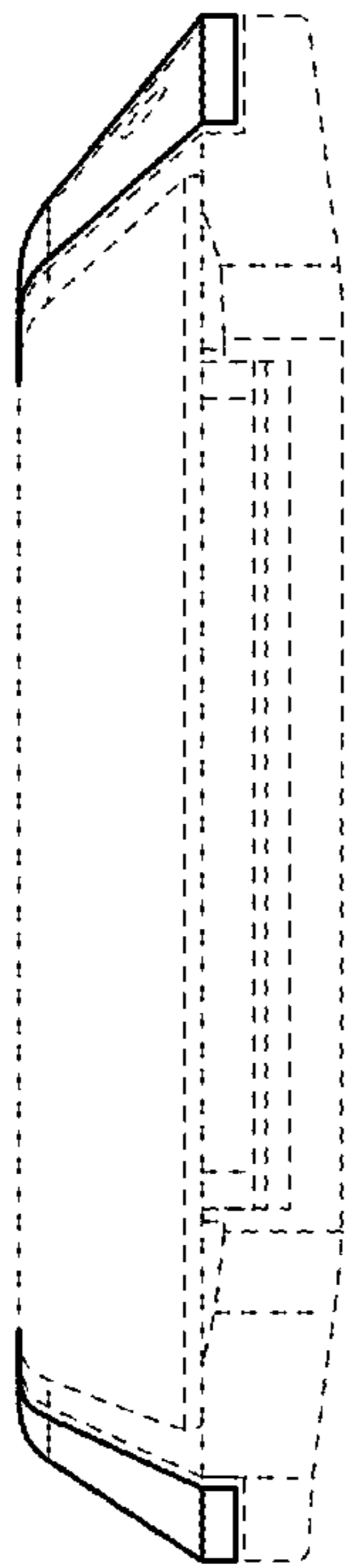


FIG. 7

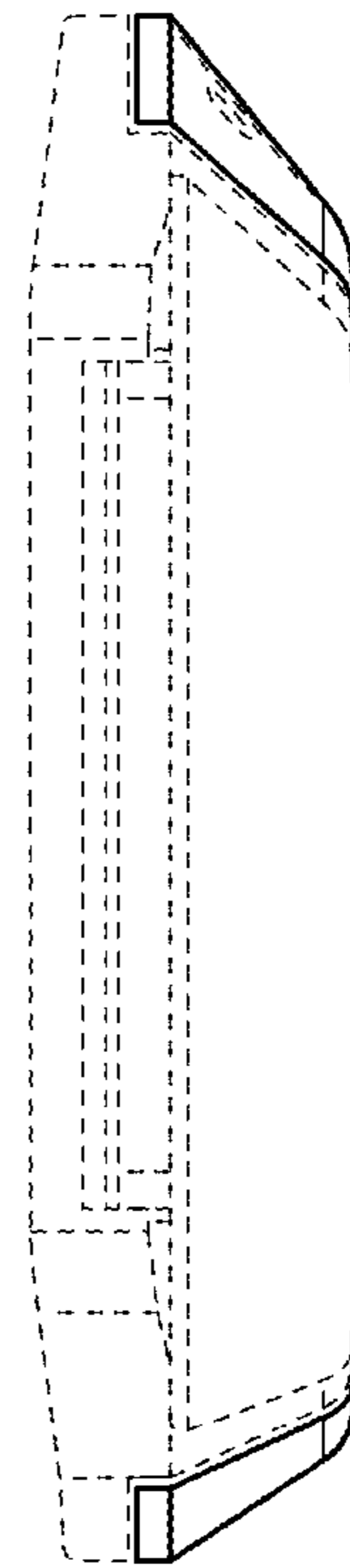


FIG. 8



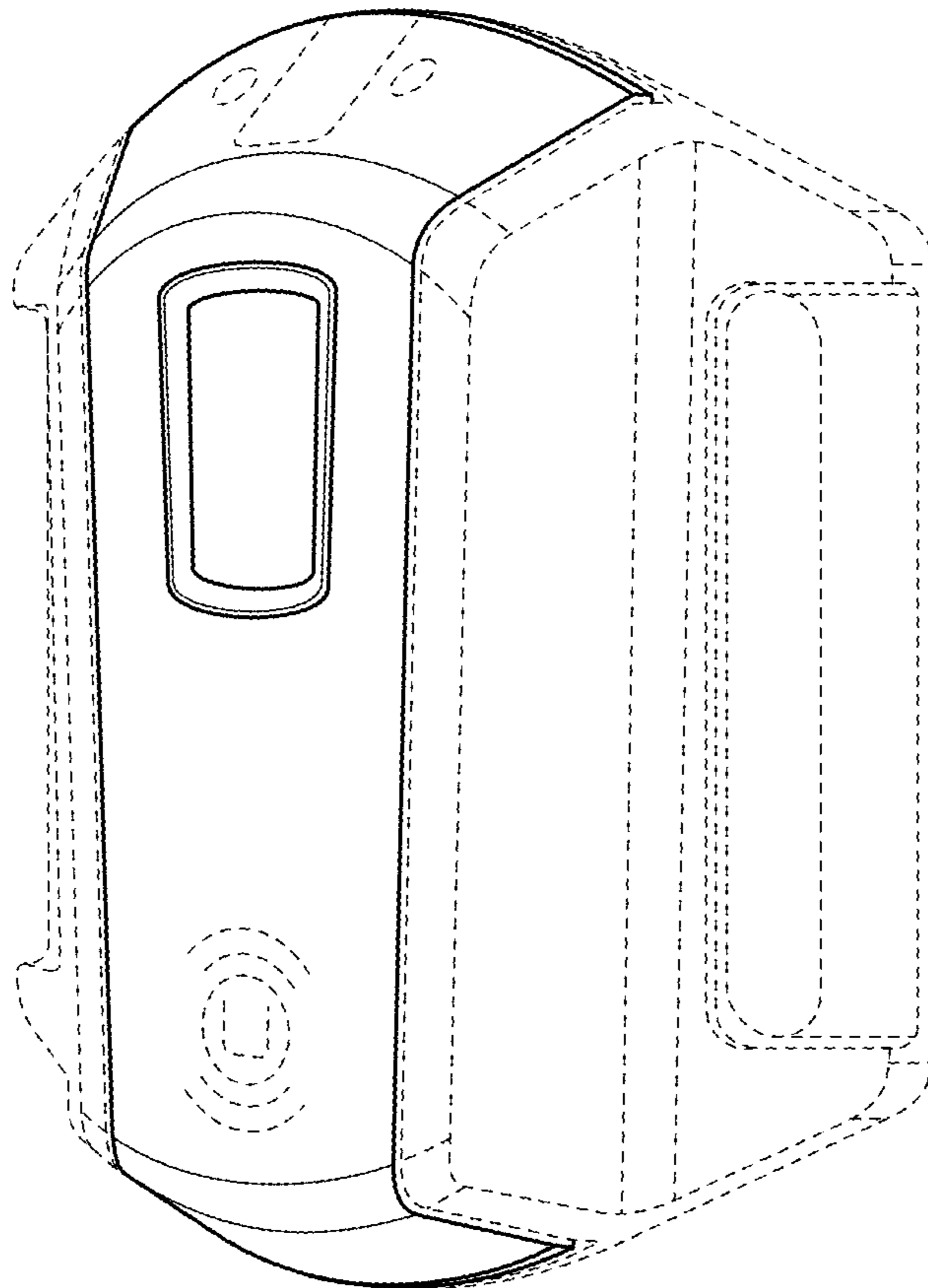


FIG. 9

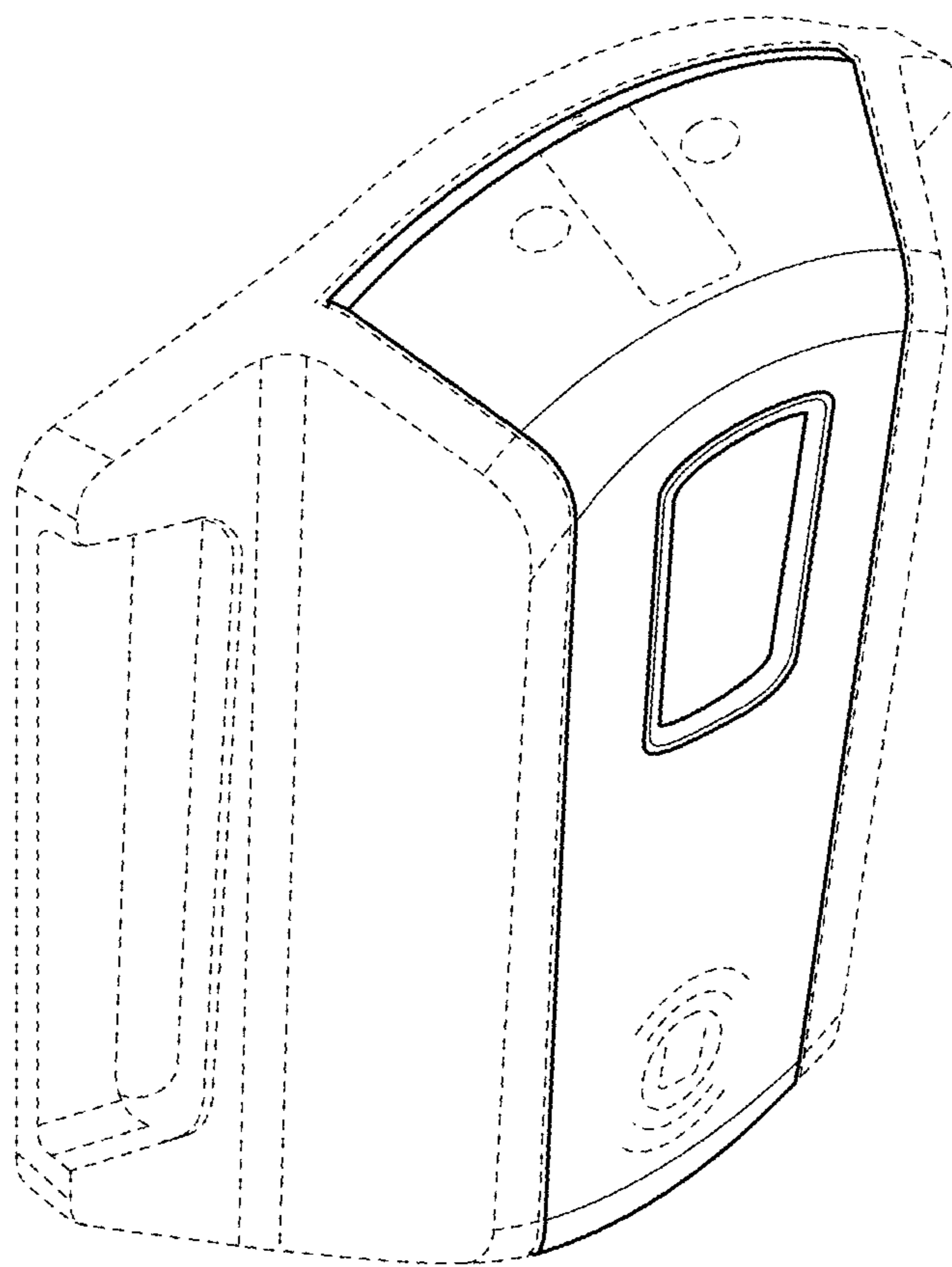


FIG. 10