



US00D937827S

(12) **United States Design Patent**
Chen et al.

(10) **Patent No.:** **US D937,827 S**

(45) **Date of Patent:** **** Dec. 7, 2021**

(54) **ELECTRONIC DEVICE**

(71) Applicant: **Harman International Industries, Incorporated**, Northridge, CA (US)

(72) Inventors: **Wansheng Chen**, Shenzhen (CN);
David Dixon, Livonia, MI (US)

(73) Assignee: **Harman International Industries, Incorporated**, Northridge, CA (US)

(**) Term: **15 Years**

(21) Appl. No.: **29/674,941**

(22) Filed: **Dec. 27, 2018**

(51) **LOC (13) Cl.** **14-01**

(52) **U.S. Cl.**
USPC **D14/344**

(58) **Field of Classification Search**
USPC D14/138 AA, 138 AB, 138 AC, 138 AD,
D14/138 C, 138 G, 218, 248, 315-318,
(Continued)

(56) **References Cited**

U.S. PATENT DOCUMENTS

2,161,720 A * 6/1939 Morelli A61F 13/063
128/894
3,330,270 A * 7/1967 Brown A61F 5/05875
602/22

(Continued)

FOREIGN PATENT DOCUMENTS

CN 304613356 5/2018
EM 003523141-0002 12/2016

(Continued)

OTHER PUBLICATIONS

FreedConn T-COMVB Motorcycle Bluetooth Headset, date first available: Mar. 4, 2017, [retrieved Aug. 11, 2021], Retrieved from

Internet, URL: <https://www.amazon.com/dp/B06XF6V6C4/ref=sspa_dk_detail_10?psc=1&pd_rd_i=B06XF6V6C4&pd_rd_w=SyZCJ&pf_rd_p=5d846283-ed3e-4512-%E2%80%A61/13> (Year: 2017).*

(Continued)

Primary Examiner — Barbara Fox

Assistant Examiner — Aram Kwon

(74) *Attorney, Agent, or Firm* — Plumsea Law Group, LLC

(57) **CLAIM**

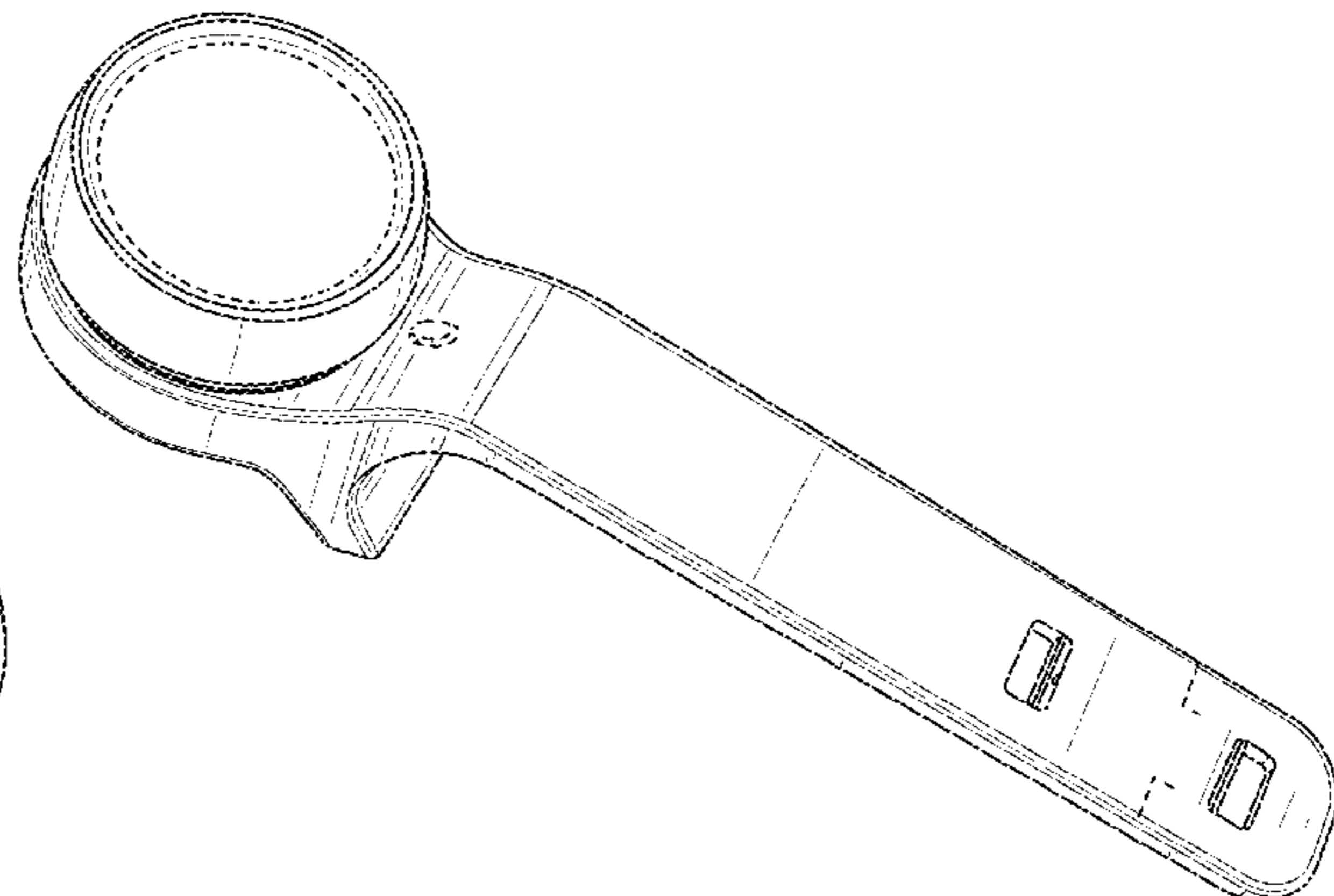
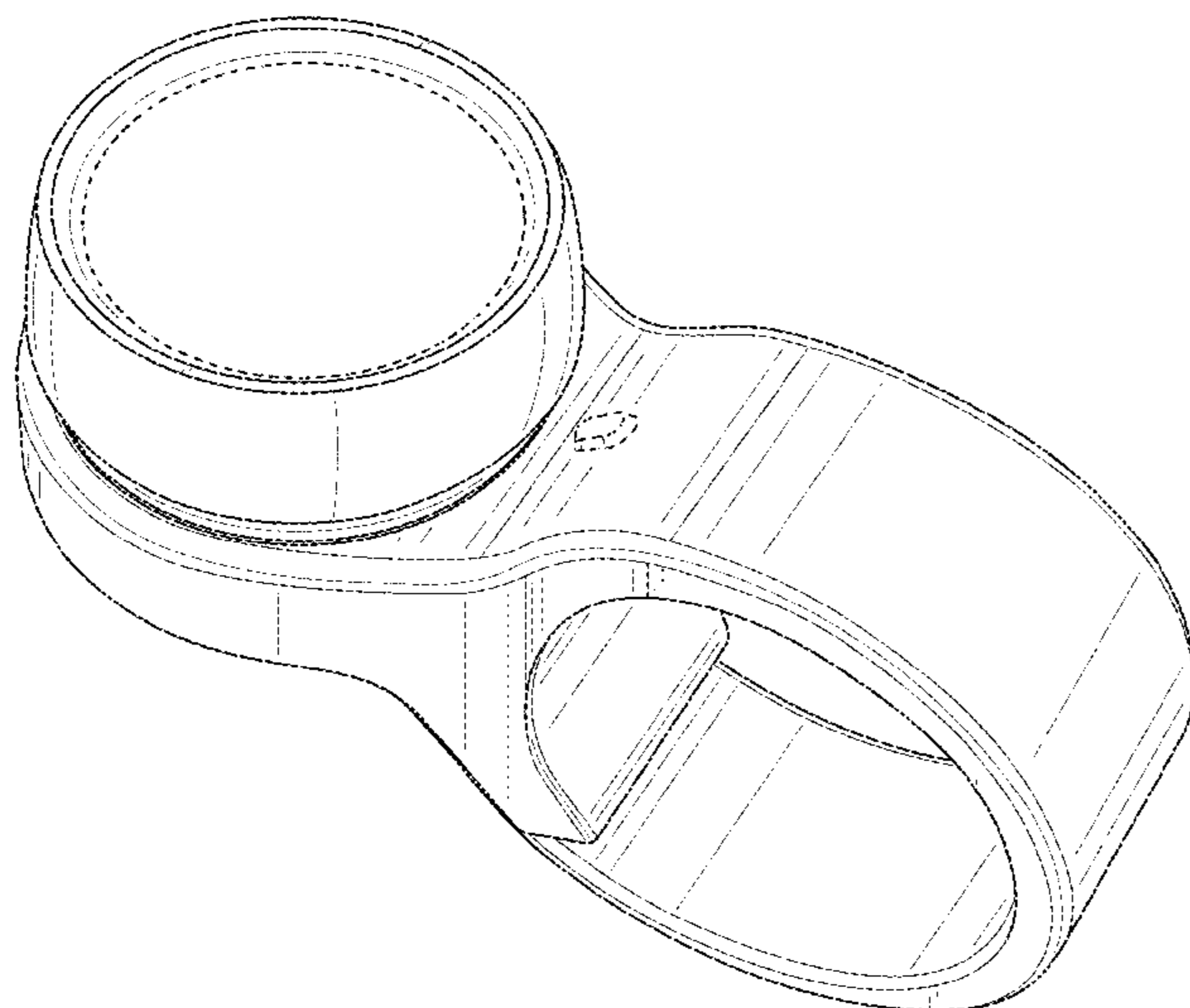
The ornamental design for an electronic device, as shown and described.

DESCRIPTION

FIG. 1 is a perspective view of an electronic device, showing the new design illustrated in a closed configuration; FIG. 2 is a perspective view thereof illustrated in an open configuration; FIG. 3 is a top plan view of the device as illustrated in FIG. 2; FIG. 4 is a bottom plan view of the device as illustrated in FIG. 2; FIG. 5 is a rear elevational view of the device as illustrated in FIG. 2; FIG. 6 is a front elevational view of the device as illustrated in FIG. 2; FIG. 7 is a side elevational view of the device as illustrated in FIG. 2 as viewed from the right side; and, FIG. 8 is an opposite side elevational view of the device as illustrated in FIG. 2 as viewed from the left side.

The broken lines in the figures illustrate portions of the electronic device that form no part of the claimed design. The shading is provided merely to represent contours of the design and does not connote the character of the surfaces such as any specific texture, material, gloss, translucence, transparency, surface treatment, or surface decoration.

1 Claim, 8 Drawing Sheets



(58) **Field of Classification Search**

USPC D14/341–347, 371, 374; D6/308, 310;
 D10/30, 50, 65, 104.1; D18/6–7;
 D19/26, 59–60; D21/324, 329–330, 332;
 D24/189, 190
 CPC ... H04M 1/0202; H04M 1/0266; H04M 1/725
 See application file for complete search history.

(56) **References Cited**

U.S. PATENT DOCUMENTS

4,847,818	A	7/1989	Olsen	
D342,740	S	12/1993	Parker	
5,418,760	A	5/1995	Kawashima et al.	
D447,702	S	9/2001	Bodino	
D456,724	S	5/2002	Wilson	
D466,510	S	12/2002	Yang	
D499,184	S *	11/2004	Mills	D24/190
D546,953	S *	7/2007	Young	D24/190
D549,221	S	8/2007	Yagi	
D549,347	S *	8/2007	Jennings-Spring	D24/189
D567,227	S	4/2008	Hada	
D586,331	S	2/2009	Francz et al.	
D589,462	S	3/2009	Tupinier	
D593,425	S	6/2009	Weiss	
D595,254	S	6/2009	Roberts	
D605,635	S *	12/2009	Edahiro	D14/218
D654,265	S	2/2012	Roy	
D681,832	S *	5/2013	Samlaska	D24/189
D726,140	S	4/2015	Park et al.	
D738,877	S	9/2015	Kim et al.	
D750,624	S	3/2016	Kerley	
D758,996	S	6/2016	Wai	
D759,009	S	6/2016	Kim et al.	
D759,010	S	6/2016	Fujita	
D773,433	S	12/2016	Spasojevic et al.	
D779,357	S *	2/2017	Aumiller	D11/3
9,568,891	B2	2/2017	Adams et al.	
D795,251	S *	8/2017	Mistry	D14/344
D799,449	S *	10/2017	Yoon	D14/218
D799,450	S	10/2017	Lee et al.	
D800,721	S *	10/2017	Kim	D14/344
D809,511	S *	2/2018	Mistry	D14/344
D813,203	S *	3/2018	Hardi	D14/218
D820,124	S	6/2018	Mouradian	
10,037,052	B2	7/2018	Stotler	
D827,613	S *	9/2018	Seo	D14/218
D836,595	S	12/2018	DeLuna et al.	
D840,377	S *	2/2019	Jin	D14/217
D844,599	S *	4/2019	Stipancik	D14/344
D844,600	S *	4/2019	Choi	D14/344
D868,061	S *	11/2019	Yoon	D14/344
D868,269	S *	11/2019	Sayre	A61F 5/05875 D24/190
D873,800	S *	1/2020	Channey	D14/218

D893,926	S *	8/2020	Yang	D6/682.3
D901,449	S *	11/2020	Moon	D14/218
D918,176	S *	5/2021	Natsume	D14/218
D926,999	S *	8/2021	Watabe	D24/190
2007/0035518	A1	2/2007	Francz et al.	
2011/0216496	A1	9/2011	Benbrahim	
2012/0087216	A1 *	4/2012	Keung	G04B 37/1486 368/282
2014/0337621	A1	11/2014	Nakhimov	
2016/0037878	A1 *	2/2016	Yabe	A44C 5/0053 24/3.1
2016/0081180	A1	3/2016	Huitema et al.	
2016/0098016	A1 *	4/2016	Ely	G04C 3/00 368/308
2016/0124500	A1	5/2016	Lee et al.	

FOREIGN PATENT DOCUMENTS

EM	005237989-0001	*	5/2018
EM	006577623-0001	*	6/2019
IN	318888-001-0001	*	2/2020
KR	300973960.0000	*	9/2018
RU	00112801	*	12/2018
RU	00118256	*	1/2020

OTHER PUBLICATIONS

JBL CLICKAM, date first available: Feb. 4, 2020, [retrieved Aug. 11, 2021], Retrieved from Internet, URL: <<https://www.amazon.com/JBL-CLICKAM-Click-Bluetooth-Remote/dp/B084GXWBNN>> (Year: 2020).*

YuYue Electronic Wireless Bluetooth Media Button Remote, date first available: May 31, 2018, [retrieved Aug. 11, 2021], Retrieved from Internet, URL: <https://www.amazon.com/Wireless-Bluetooth-Control-Motorcycle-Steering/dp/B081RLWSTL/ref=pd_sbs_2/145-1368511-6281309?pd_rd_w=U8AUk&%E2%80%A6> (Year: 2018).*

Waylens Horizon Bluetooth Remote Control, date not available, [retrieved Aug. 11, 2021], Retrieved from Internet, URL: <<https://www.thedashcamstore.com/waylens-horizon-bluetooth-remote-control-trigger/>> (Year: 2021).*

Design U.S. Appl. No. 29/622,788, filed Oct. 19, 2017.

Design U.S. Appl. No. 29/674,655, filed Dec. 21, 2018.

The Loop Circular Remote Control I Ubergizmo website 2019, <https://www.ubergizmo.com/2009/06/the-loop-circular-remote-control/>, site visited Jun. 21, 2019.

JBL Endurance PEAK (Black) True wireless in-ear sport headphones, Crutchfield website 2019, https://www.crutchfield.com/S-hOh6CJIkeB8/p_109ENPEAKB/JBL-Endurance-PEAK-Bla... site visited Jul. 9, 2019.

Sunpak Wi-Fi Remote Control, Newegg website 2019, <https://www.newegg.com/p/0SE-00M4-00001>, site visited Jul. 9, 2019.

* cited by examiner

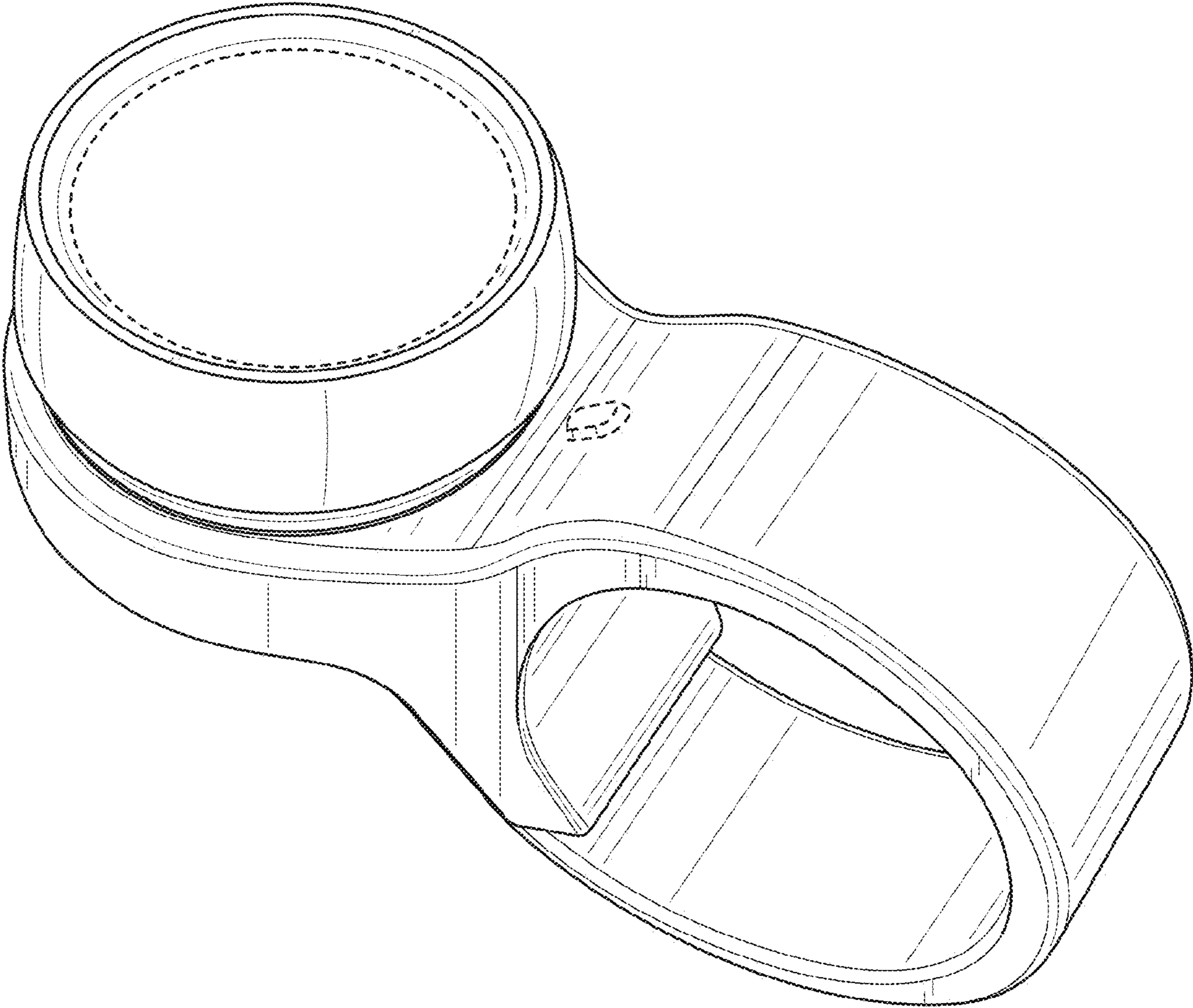


FIG. 1

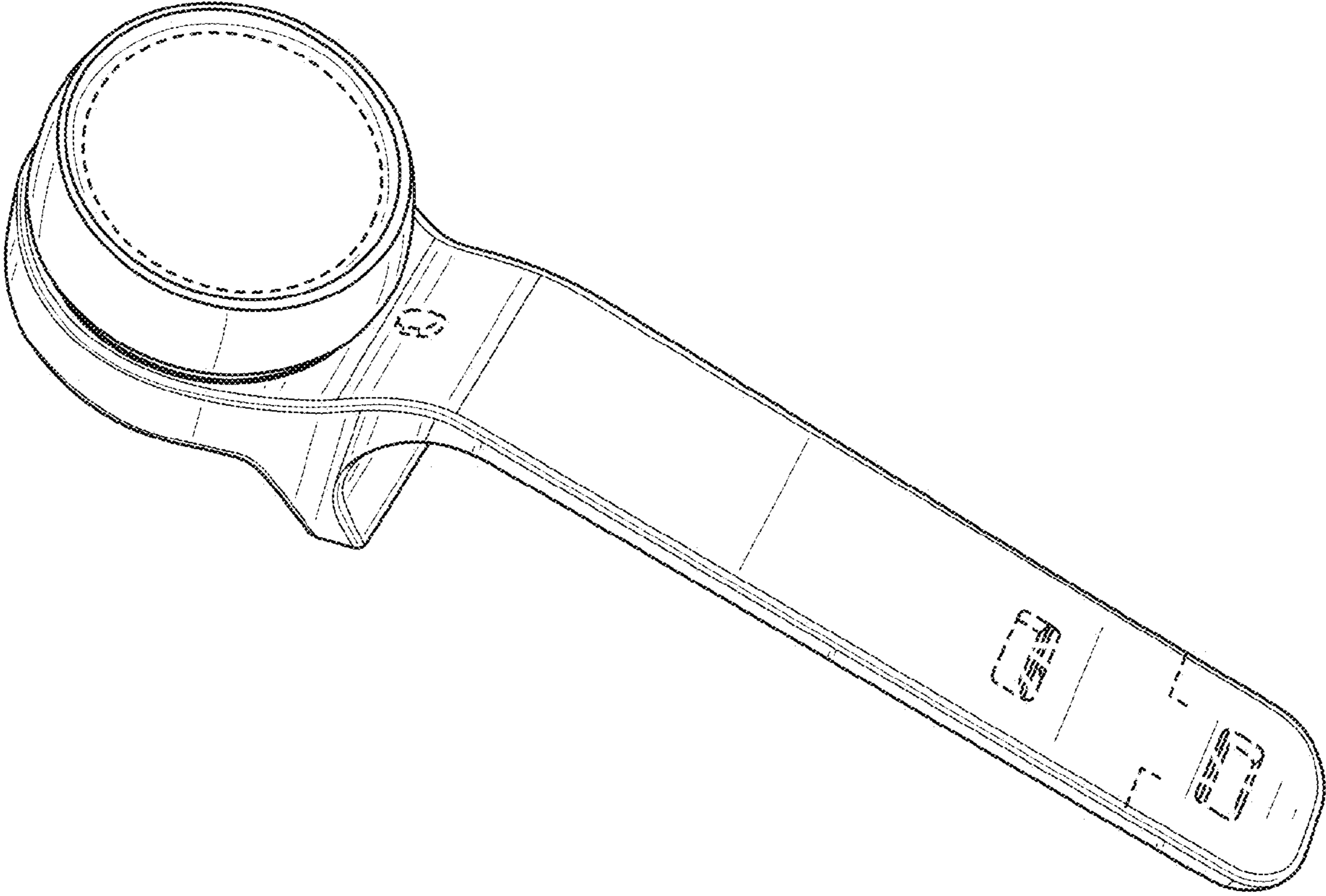


FIG. 2

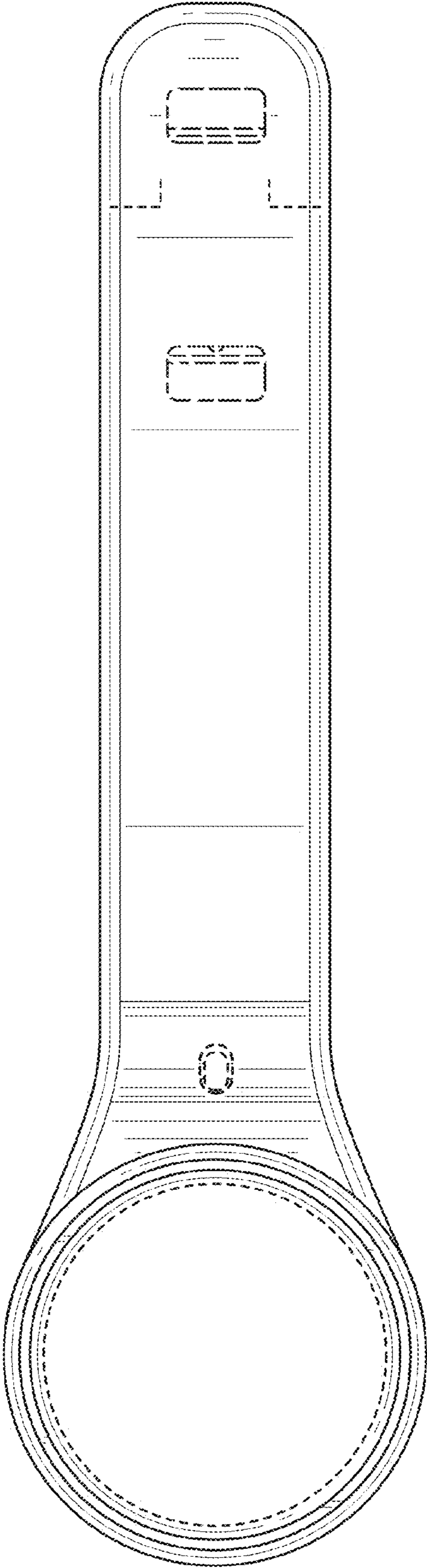


FIG. 3

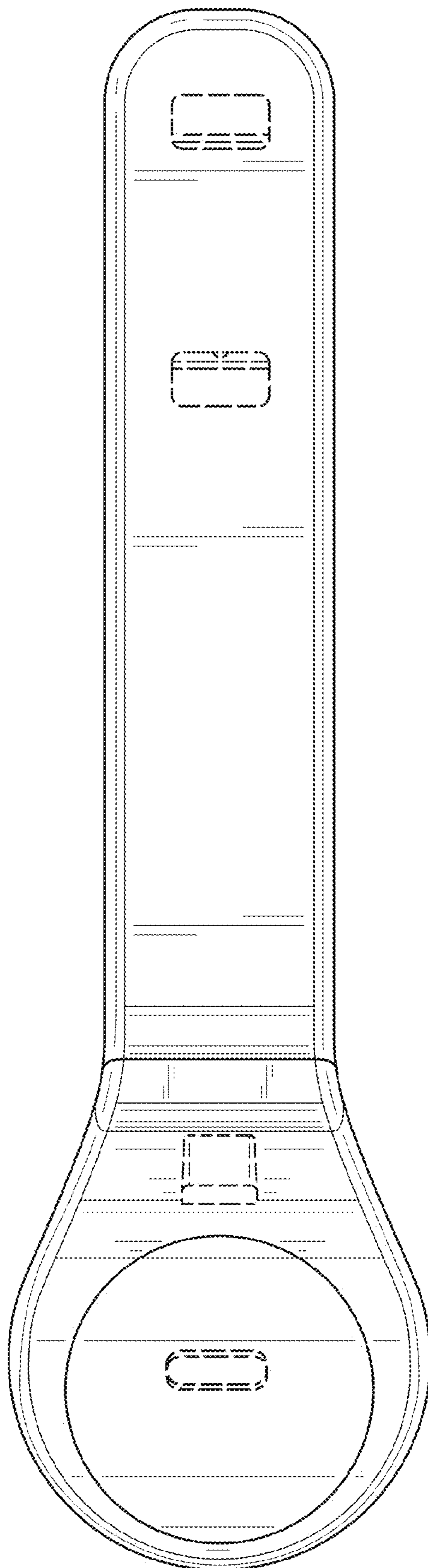


FIG. 4

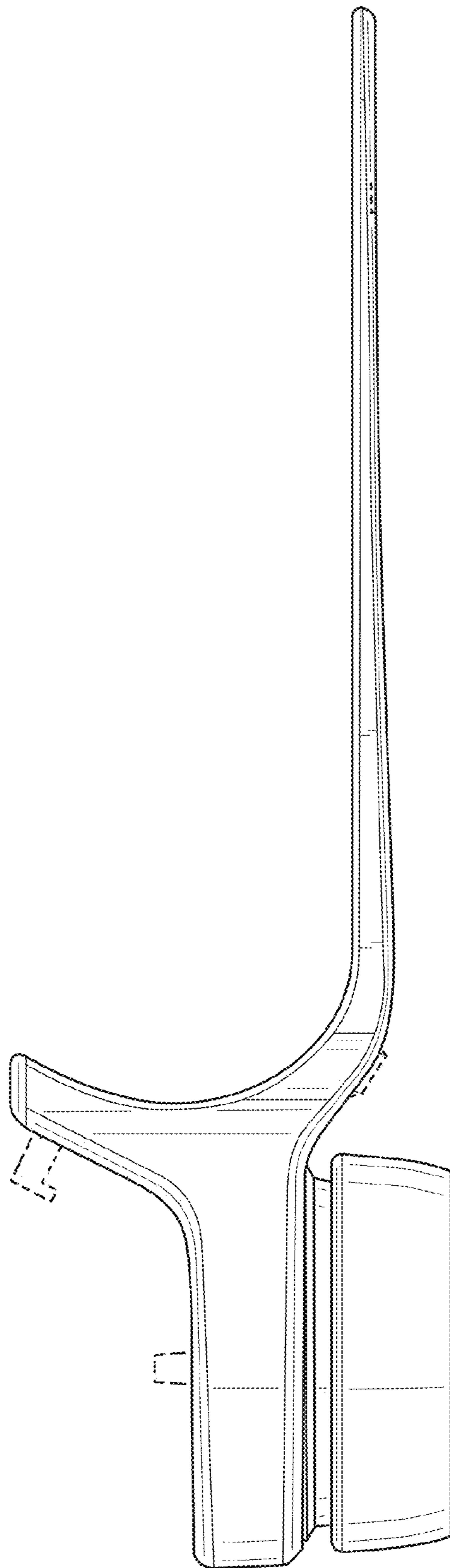


FIG. 5

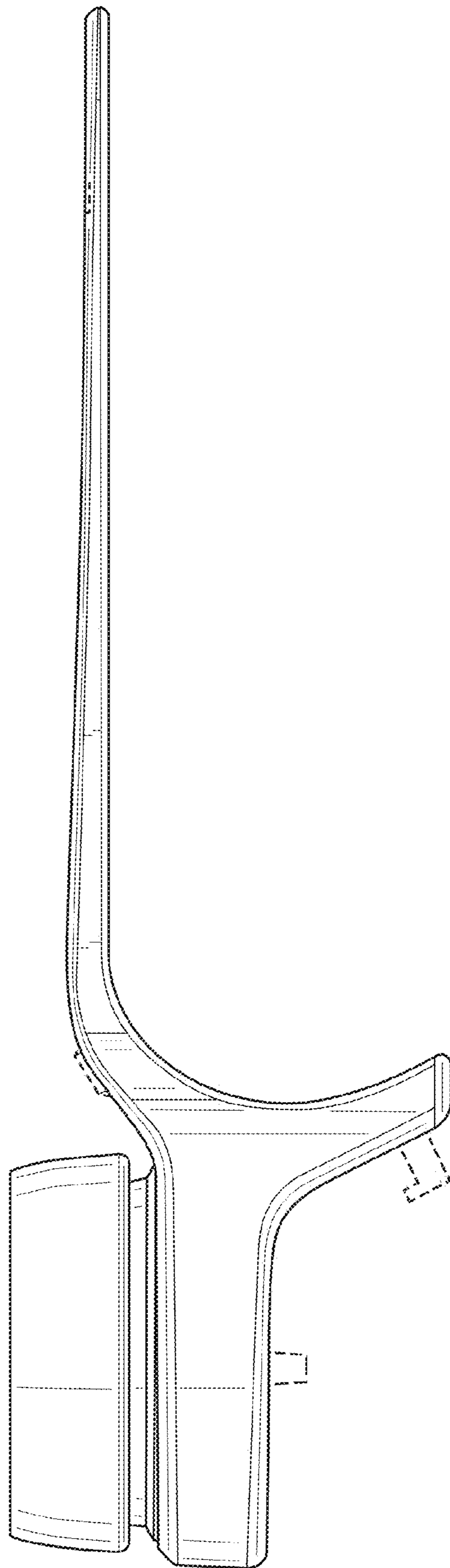


FIG. 6

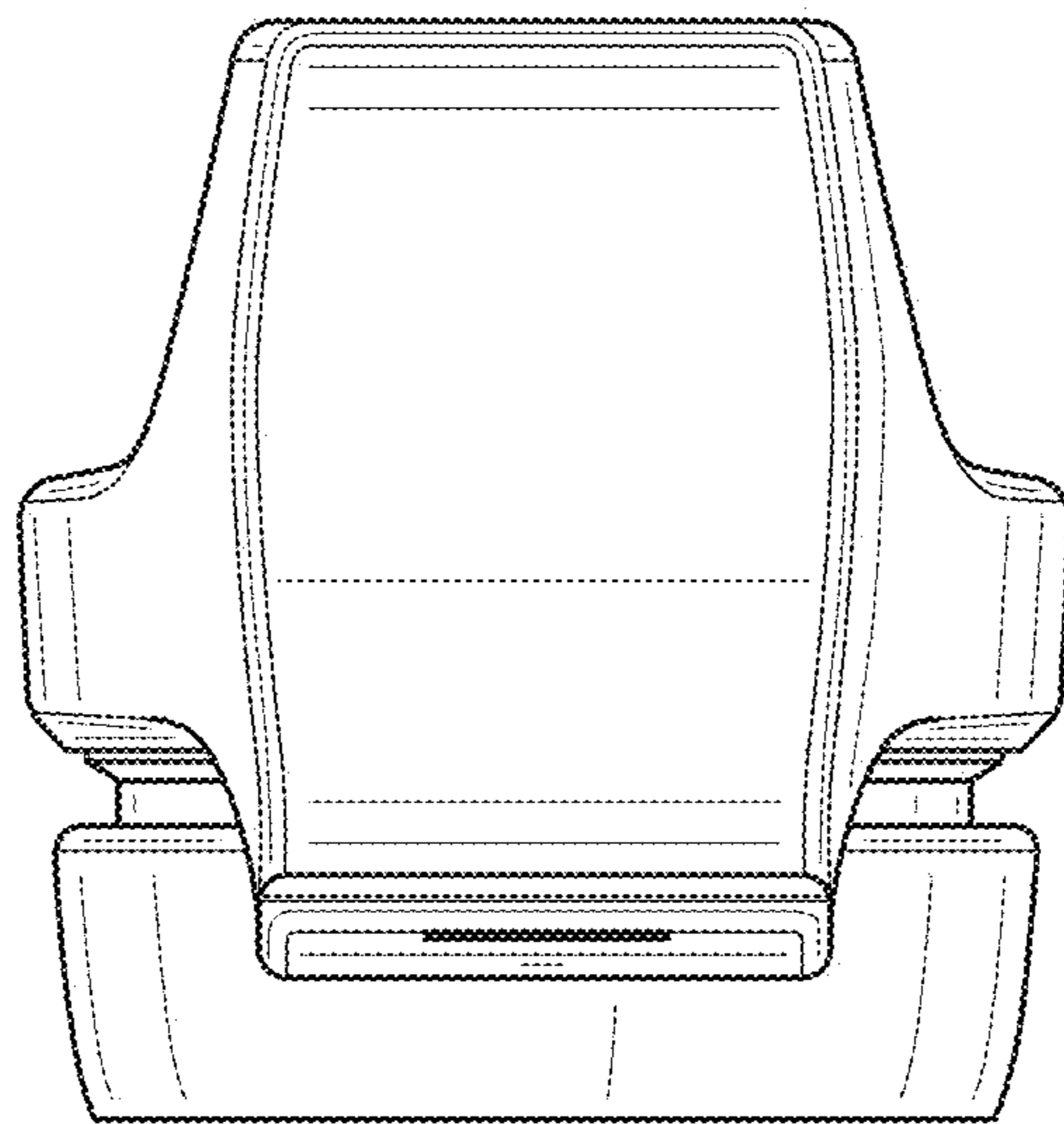


FIG. 7

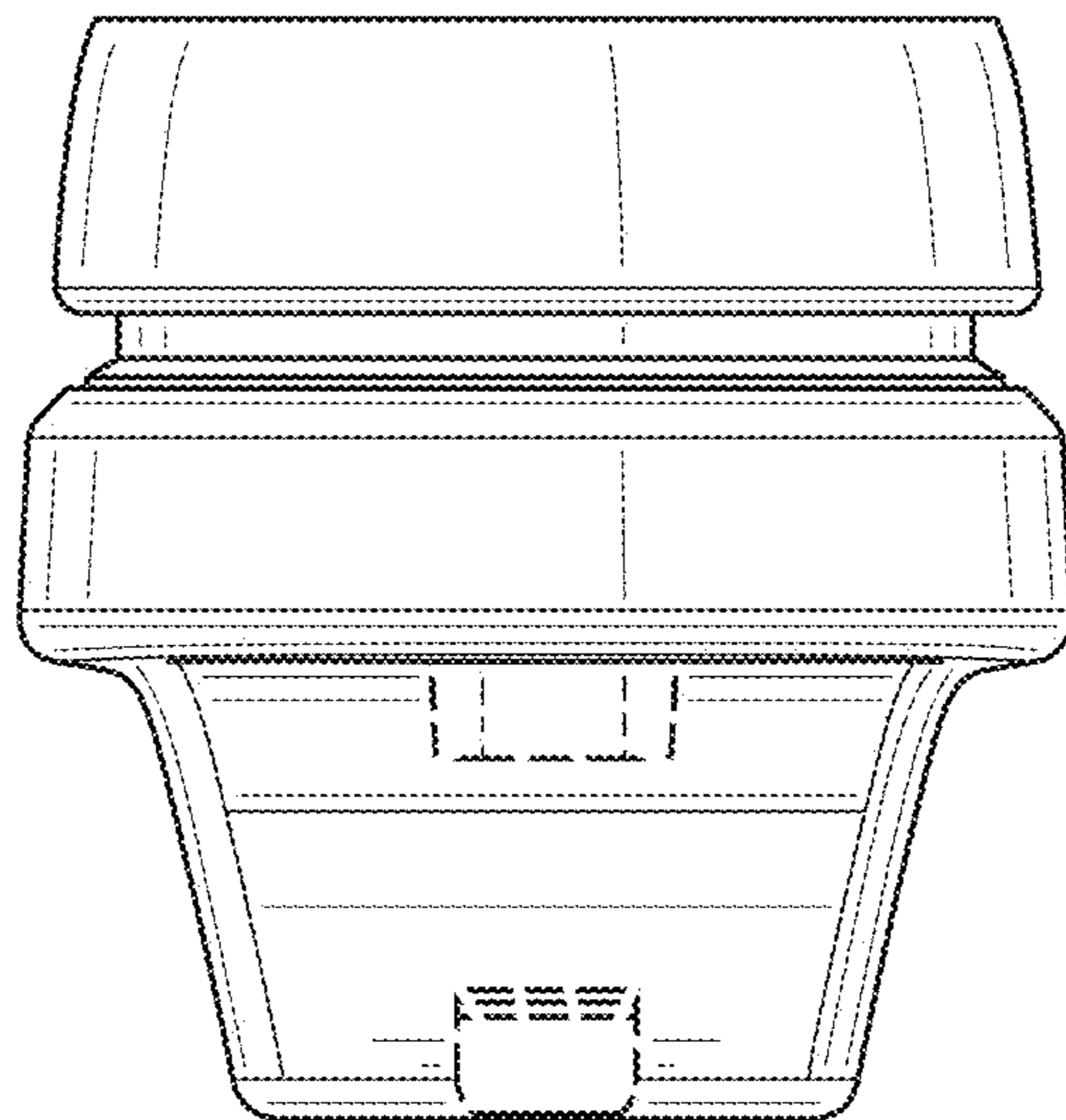


FIG. 8