



US00D937825S

(12) **United States Design Patent** (10) **Patent No.:** **US D937,825 S**
Yu (45) **Date of Patent:** **** Dec. 7, 2021**

(54) **LAPTOP COMPUTER**
(71) Applicant: **Lenovo (Beijing) Co., Ltd.**, Beijing (CN)
(72) Inventor: **Tianfang Yu**, Beijing (CN)
(73) Assignee: **Lenovo (Beijing) Co., Ltd.**, Beijing (CN)
(**) Term: **15 Years**

D633,490 S *	3/2011	Kim	D14/315
D649,545 S *	11/2011	Kim	D14/327
D649,546 S *	11/2011	Kim	D14/327
D664,533 S *	7/2012	Lee	D14/315
D664,535 S *	7/2012	Lee	D14/315
D671,111 S *	11/2012	Kim	D14/315
D671,538 S *	11/2012	Kim	D14/318
D717,790 S *	11/2014	Kim	D14/315
D724,074 S *	3/2015	Lee	D14/315
D735,187 S *	7/2015	Hsu	D14/315
D737,269 S *	8/2015	Motoishi	D14/315
D757,717 S *	5/2016	Park	D14/341
D873,817 S *	1/2020	Raken	D14/341
D909,367 S *	2/2021	Lee	D14/315

(21) Appl. No.: **35/510,002**
(22) Filed: **May 29, 2020**

(80) **Hague Agreement Data**
Int. Filing Date: **May 29, 2020**
Int. Reg. No.: **DM/209534**
Int. Reg. Date: **May 29, 2020**
Int. Reg. Pub. Date: **Aug. 7, 2020**

(30) **Foreign Application Priority Data**
Nov. 29, 2019 (CN) 201930665915.8
(51) **LOC (13) Cl.** **14-02**
(52) **U.S. Cl.**
USPC **D14/315**
(58) **Field of Classification Search**
USPC D14/203.4, 316, 317, 319-327, 341, 344,
D14/345, 346, 501, 502, 507; D21/330
CPC G06F 1/1616; G06F 1/1637; G06F 1/203;
G06F 1/1681
See application file for complete search history.

(56) **References Cited**
U.S. PATENT DOCUMENTS
D586,796 S * 2/2009 Lee D14/315
D590,824 S * 4/2009 Kurosawa D14/315

OTHER PUBLICATIONS

Acer Spin 5 2-in-1 Laptop, earliest availability date Sep. 22, 2017, [online] URL: <https://www.amazon.com/Acer-Intel-i5-8250U-Windows-SP513-52N-5621/dp/B0752QHG8W/> (Year: 2017).*

(Continued)

Primary Examiner — L. A. Grabenstetter
(74) *Attorney, Agent, or Firm* — Oppedahl Patent Law Firm LLC

(57) **CLAIM**

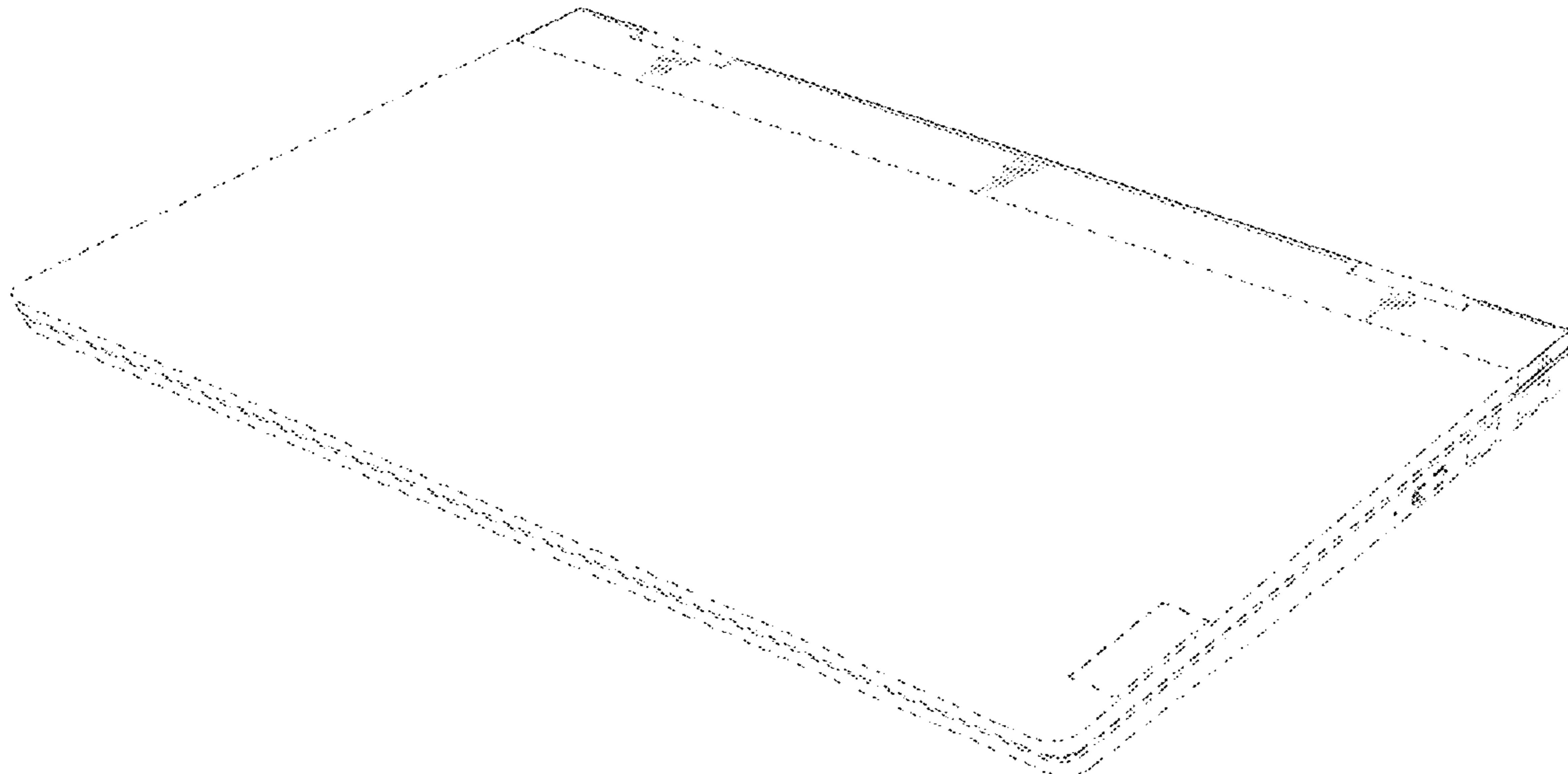
The ornamental design for a laptop computer, as shown and described.

DESCRIPTION

- 2. Laptop computer
- 2.1 : Front
- 2.2 : Back
- 2.3 : Left
- 2.4 : Right
- 2.5 : Top
- 2.6 : Bottom
- 2.7 : Perspective

The broken lines shown in the drawings illustrate portions of the laptop computer that form no part of the claimed design.

1 Claim, 7 Drawing Sheets



(56)

References Cited

OTHER PUBLICATIONS

Dell XPS 15 2-in-1 review, publication date Apr. 4, 2018, [online]

URL: <https://www.digitaltrends.com/laptop-reviews/dell-xps-15-2-in-1-review/> 1/ (Year: 2018).*

The Best2-in-1 Laptops, publication date Jul. 4, 2019, [online]

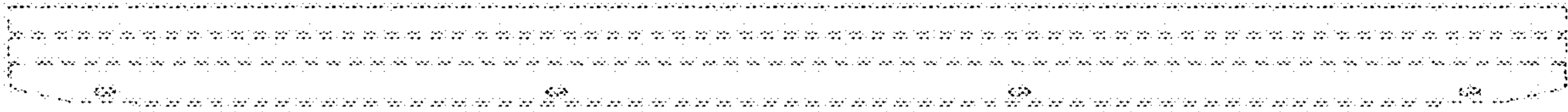
URL: <https://www.ign.com/articles/2019/07/04/the-best-2-in-1-convertible-laptops> (Year: 2019).*

Lenovo Flex 5 (15-inch) review, publication date Apr. 8, 2018,

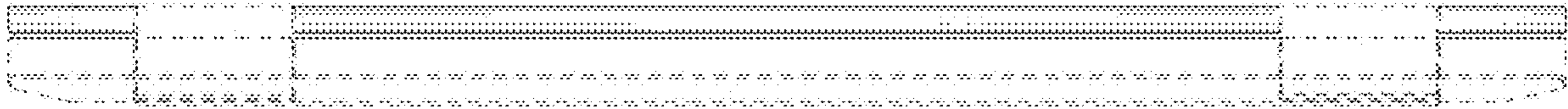
[online] URL: <https://www.cnet.com/reviews/lenovo-flex-5-15-inch-review/> (Year: 2018).*

* cited by examiner

2.1



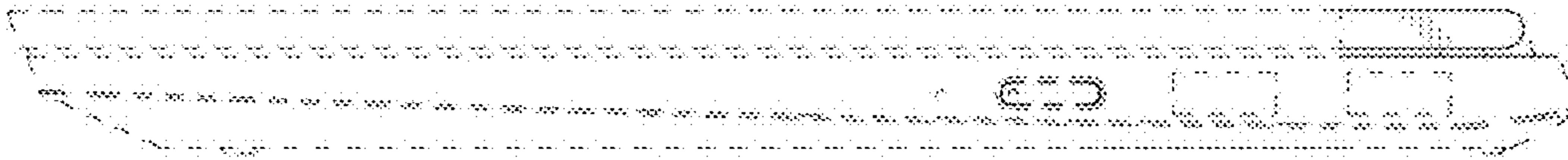
2.2



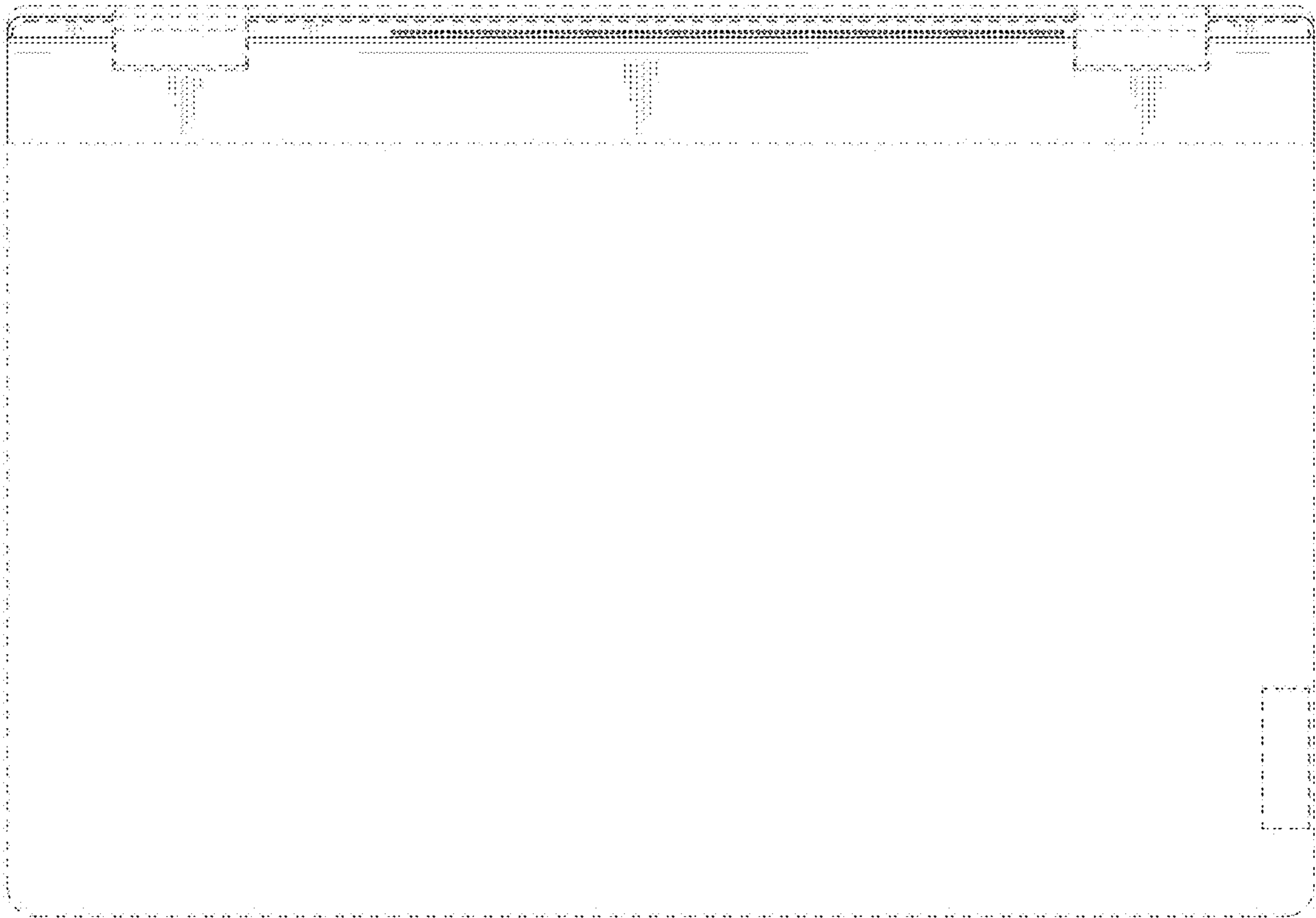
2.3



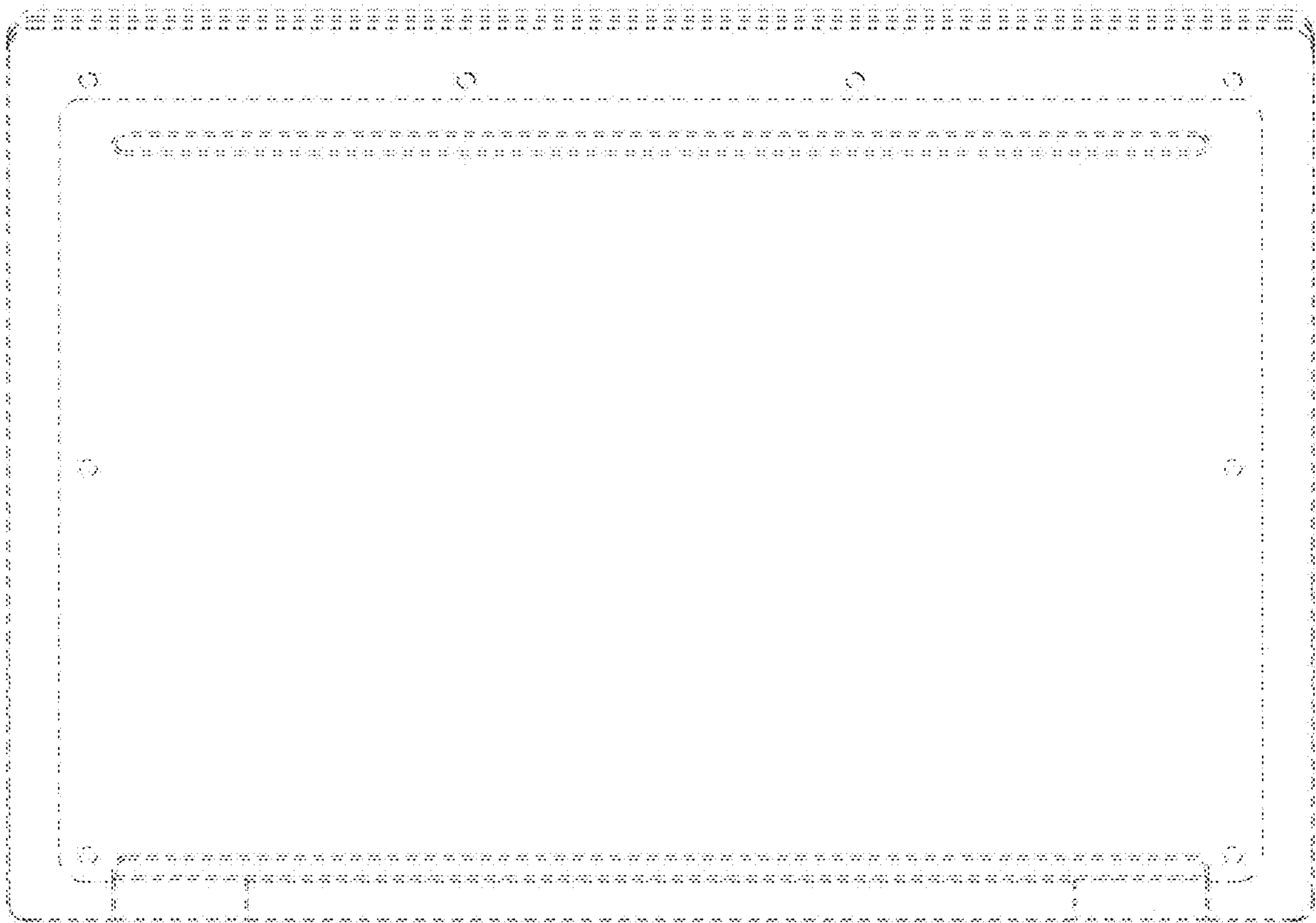
2.4



2.5



2.6



2.7

