



US00D937824S

(12) **United States Design Patent** (10) **Patent No.:** **US D937,824 S**  
**Ye** (45) **Date of Patent:** **\*\* Dec. 7, 2021**

(54) **ALL-IN-ONE COMPUTER**  
(71) Applicant: **Lenovo (Beijing) Co., Ltd.**, Beijing (CN)  
(72) Inventor: **Yizhou Ye**, Beijing (CN)  
(73) Assignee: **Lenovo (Beijing) Co., Ltd.**, Beijing (CN)  
(\*\*) Term: **15 Years**  
(21) Appl. No.: **35/509,662**  
(22) Filed: **Sep. 29, 2019**  
(80) **Hague Agreement Data**  
Int. Filing Date: **Sep. 29, 2019**  
Int. Reg. No.: **DM/208638**  
Int. Reg. Date: **Sep. 29, 2019**  
Int. Reg. Pub. Date: **Jun. 19, 2020**

(30) **Foreign Application Priority Data**  
Mar. 29, 2019 (CN) ..... 201930139116.7  
(51) **LOC (13) Cl.** ..... **14-02**  
(52) **U.S. Cl.**  
USPC ..... **D14/307; D14/451**  
(58) **Field of Classification Search**  
USPC ..... D6/300, 308, 310, 642, 643, 650.1, D6/653.15, 654.15, 657, 661, 675; D14/125-129, 132, 239, 336, 341, D14/373-377, 451, 301, 307, 371; D16/229, 235, 241  
CPC ..... G06F 1/1601; G06F 1/1605; G06F 1/162  
See application file for complete search history.

(56) **References Cited**  
**U.S. PATENT DOCUMENTS**  
D509,826 S \* 9/2005 Jobs ..... D14/371  
D510,088 S \* 9/2005 Jobs ..... D14/371  
D510,577 S \* 10/2005 Jobs ..... D14/371

D543,209 S \* 5/2007 Bae ..... D14/451  
D575,783 S \* 8/2008 Hean ..... D14/375  
D578,087 S \* 10/2008 Yokota ..... D14/126  
D593,567 S \* 6/2009 Benson ..... D14/451  
(Continued)

**OTHER PUBLICATIONS**

Acer's slimmest desktop Aspire S24, publication date Apr. 2, 2018, [online] URL: <https://www.cnet.com/news/acers-slimmest-desktop-ever-is-barely-there/> (Year: 2018).\*  
(Continued)

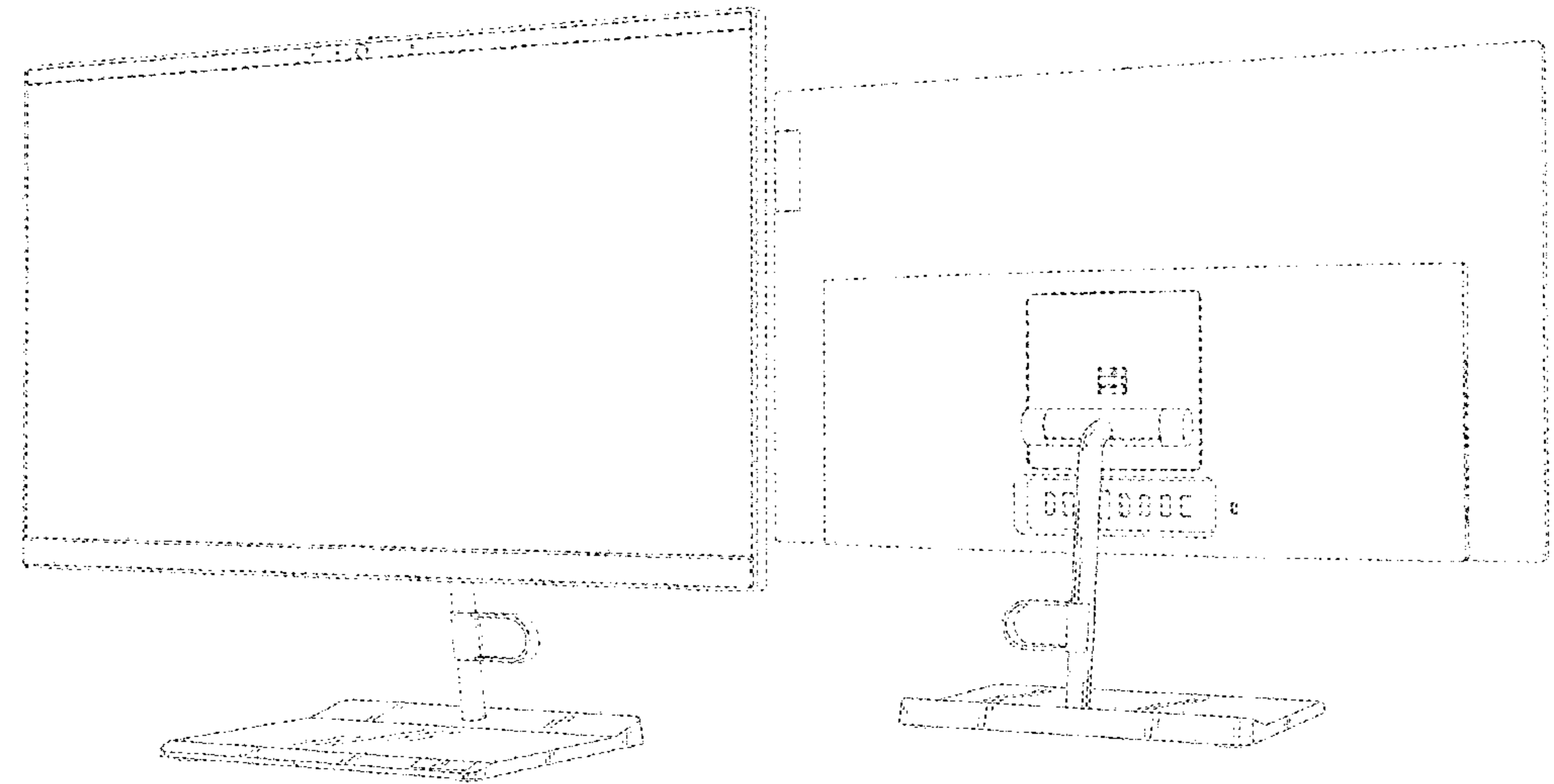
*Primary Examiner* — L. A. Grabenstetter  
(74) *Attorney, Agent, or Firm* — Oppedahl Patent Law Firm PLLC

(57) **CLAIM**  
The ornamental design for an all-in-one computer, as shown and described.

**DESCRIPTION**

2.1 : Front  
2.2 : Back  
2.3 : Left  
2.4 : Right  
2.5 : Top  
2.6 : Bottom  
2.7 : Front Perspective  
2.8 : Back Perspective  
3.1 : Front  
3.2 : Back  
3.3 : Left  
3.4 : Right  
3.5 : Top  
3.6 : Bottom  
3.7 : Front Perspective  
3.8 : Back Perspective  
The broken lines shown in the drawings illustrate portions of the all-in-one computer that form no part of the claimed design.

**1 Claim, 16 Drawing Sheets**



(56)

**References Cited**

## U.S. PATENT DOCUMENTS

D631,042	S	*	1/2011	Chen	.....	D14/337
D685,805	S	*	7/2013	Lu	.....	D14/451
D715,277	S	*	10/2014	Kim	.....	D14/239
D722,066	S	*	2/2015	Baker	.....	D14/451
D749,082	S	*	2/2016	Jung	.....	D14/451
D757,021	S	*	5/2016	Won	.....	D14/451
D758,375	S	*	6/2016	Won	.....	D14/451
D767,669	S	*	9/2016	Johnson	.....	D18/4.3
D774,037	S	*	12/2016	Kang	.....	D14/451
D776,668	S	*	1/2017	Wallace	.....	D14/451
D786,243	S	*	5/2017	Covello	.....	D14/371
D787,522	S	*	5/2017	Lee	.....	D14/451
D805,521	S	*	12/2017	Zhou	.....	D14/451
D822,032	S	*	7/2018	Kwon	.....	D14/451
10,108,221	B1	*	10/2018	Gu	.....	G06F 1/16
D837,223	S	*	1/2019	Wu	.....	D14/451
D871,395	S	*	12/2019	Yang	.....	D14/336
D894,196	S	*	8/2020	Wu	.....	D14/451
D902,296	S	*	11/2020	Cathala	.....	D18/4.5
D918,195	S	*	5/2021	Dong	.....	D14/307
D918,196	S	*	5/2021	Ye	.....	D14/307

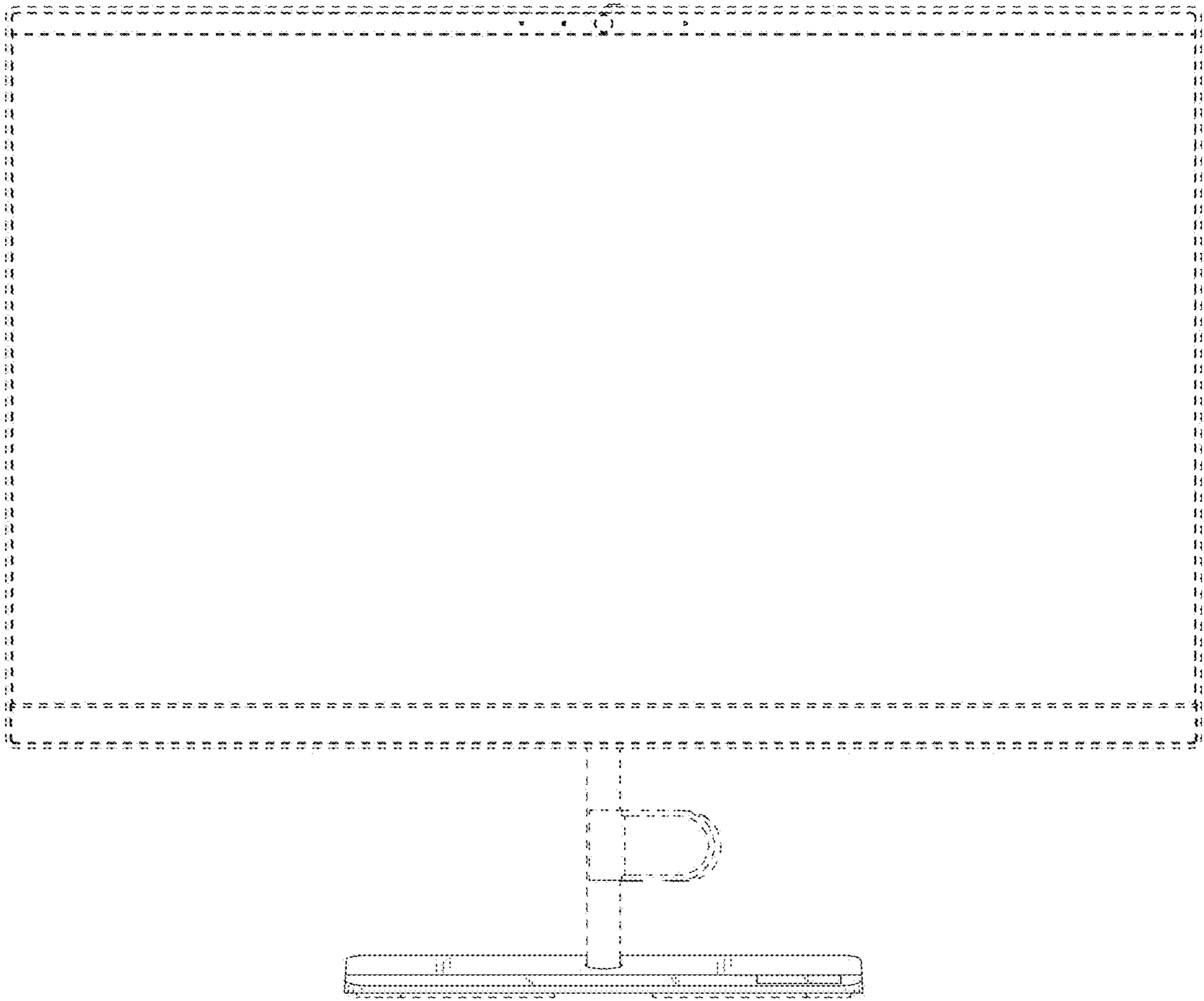
## OTHER PUBLICATIONS

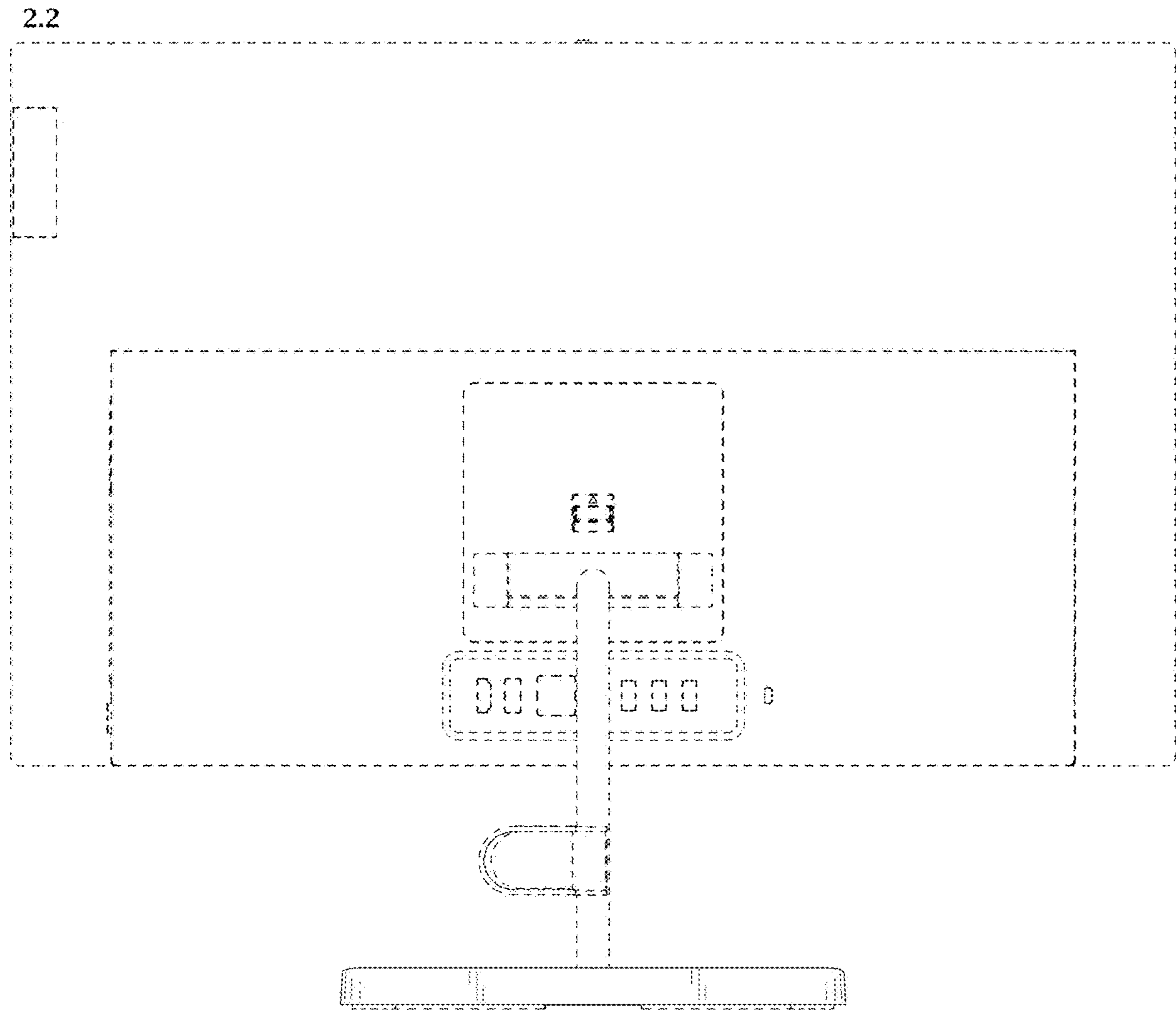
Lenovo IdeaCentre AIO 910 Product Tour, upload date May 11, 2016, [online] URL: <https://www.youtube.com/watch?v=rirBQwXf498> (Year: 2016).\*

CES 2020: Lenovo unveils new laptops, monitors, and all-in-one PCs, publication date Jan. 5, 2020, [online] URL: <https://indianexpress.com/article/technology/laptops/lenovo-introduces-new-laptops-monitors-all-in-one-pc-ahead-of-ces-2020-6201005/> (Year: 2020).\*

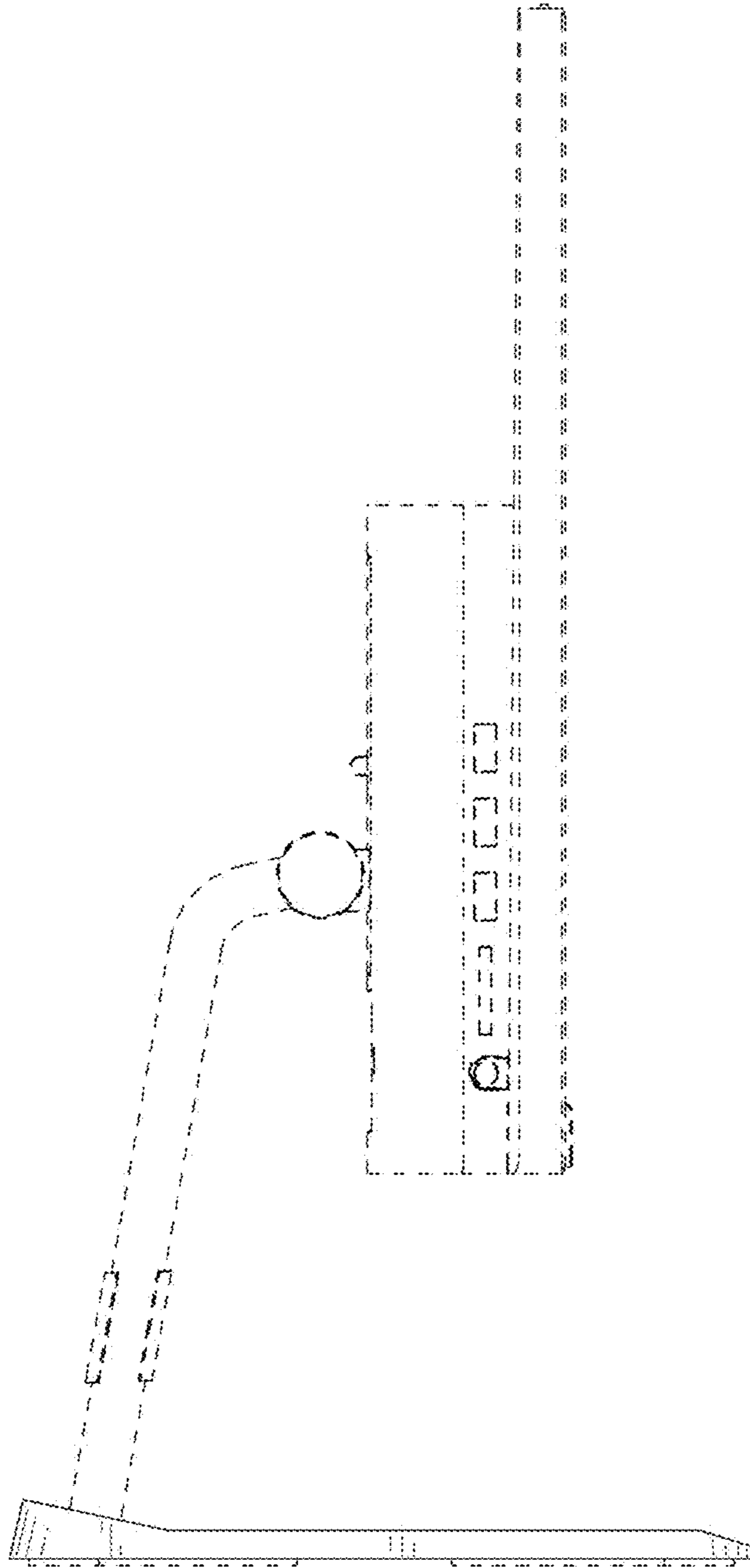
\* cited by examiner

2.1

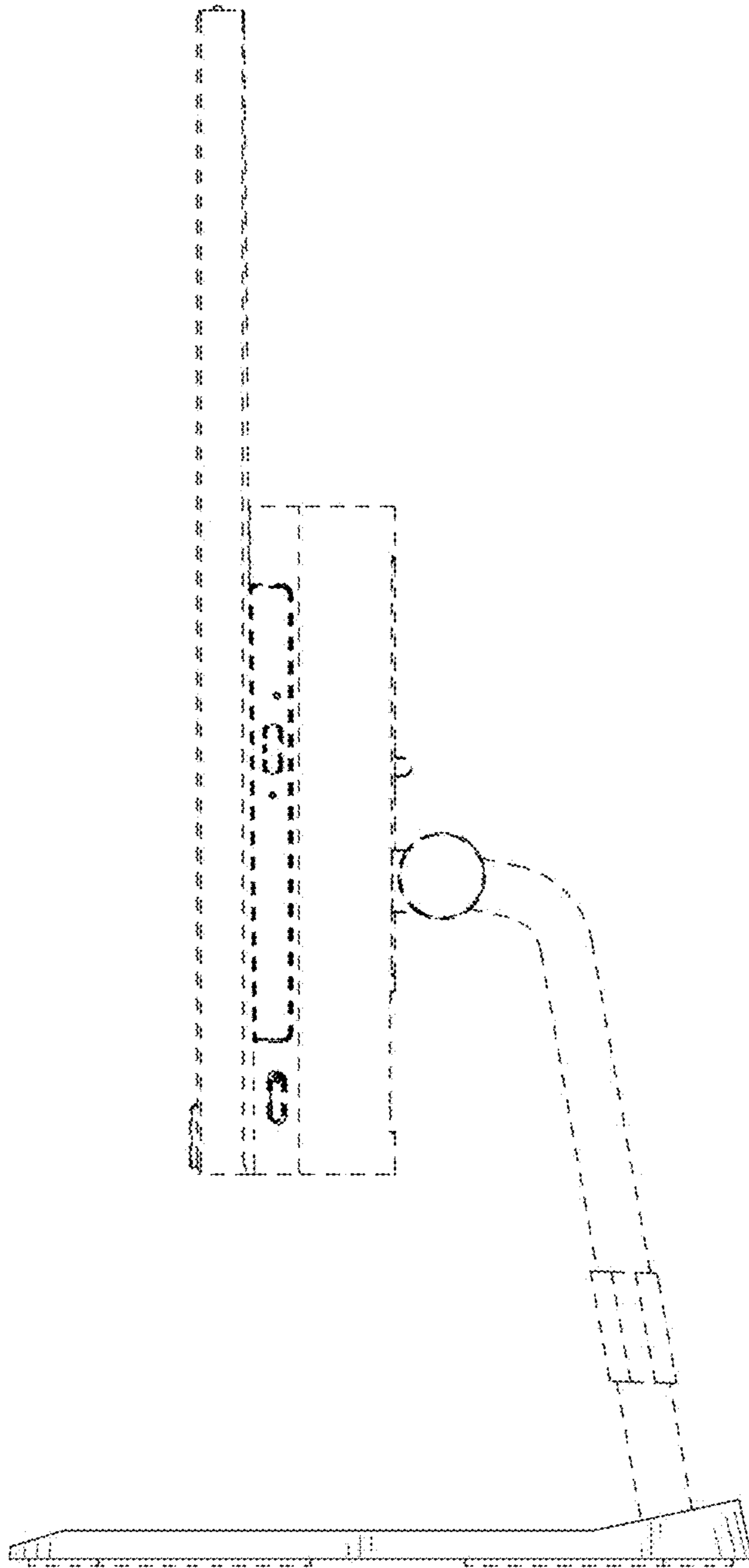




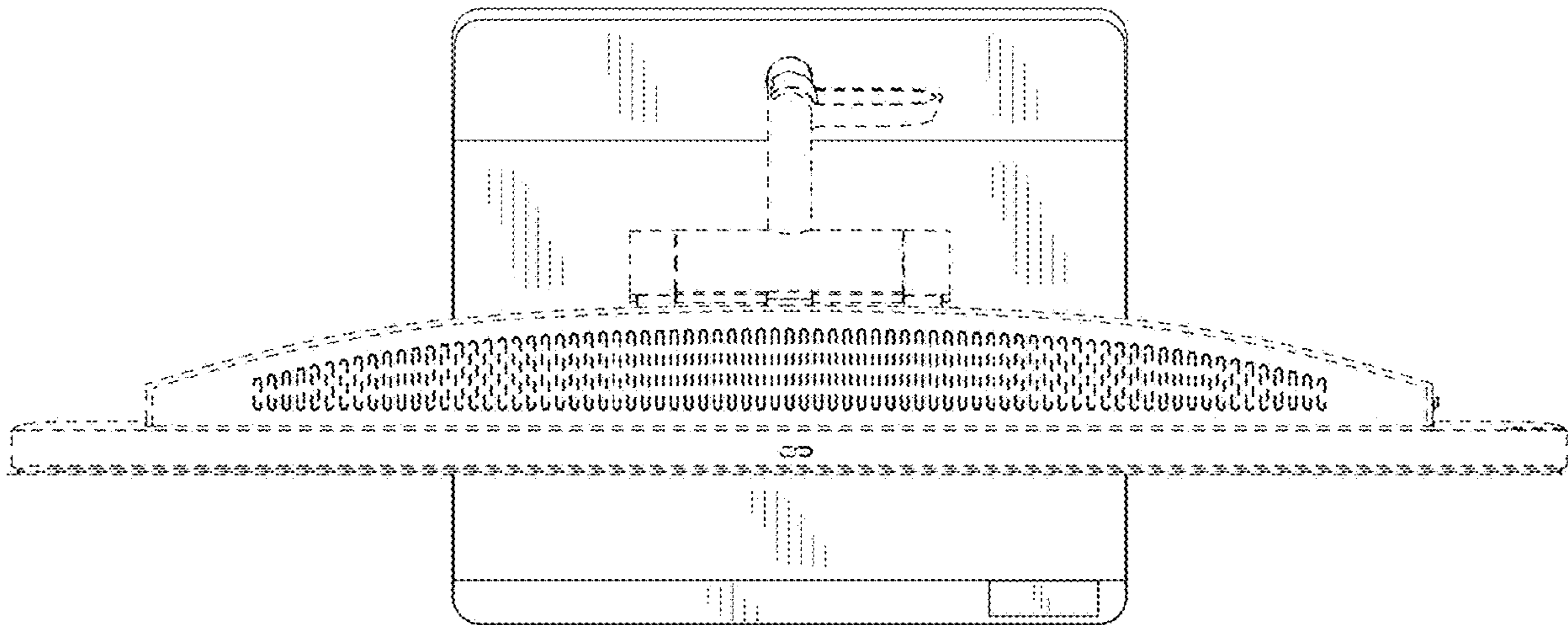
2.3



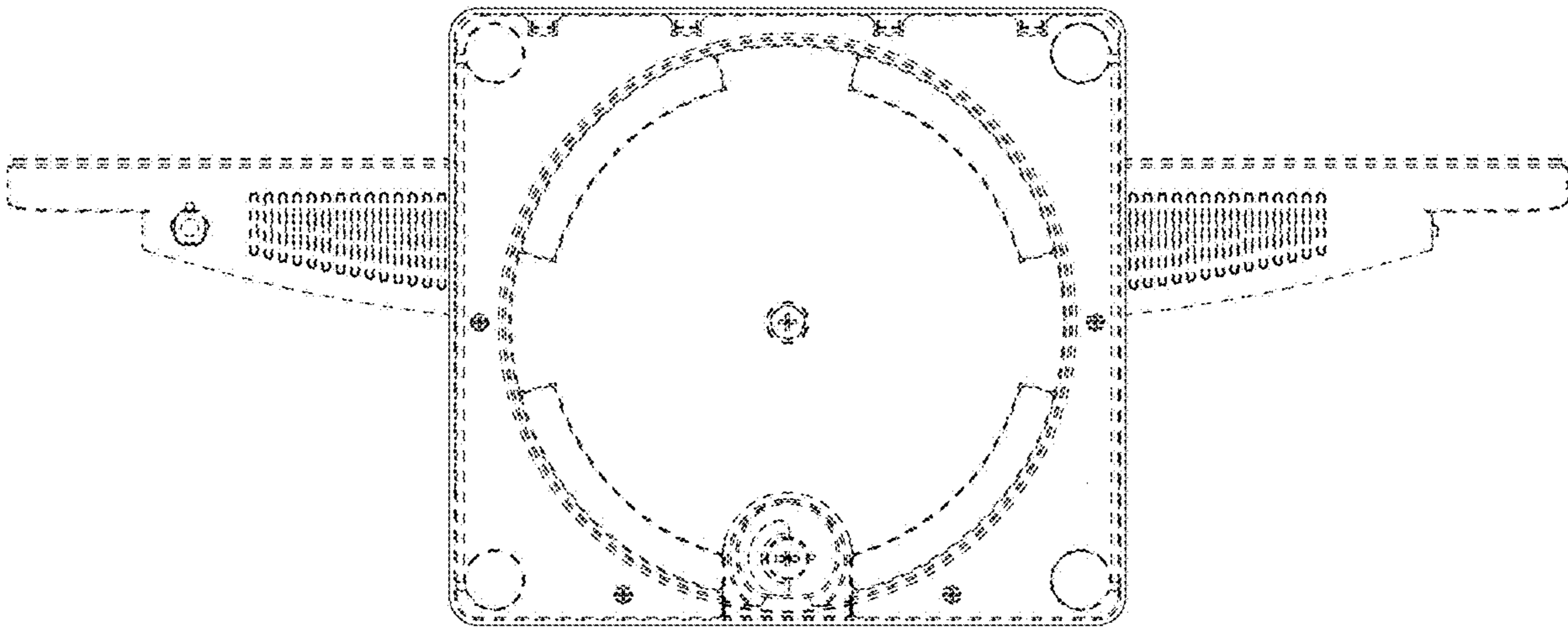
2.4



2.5

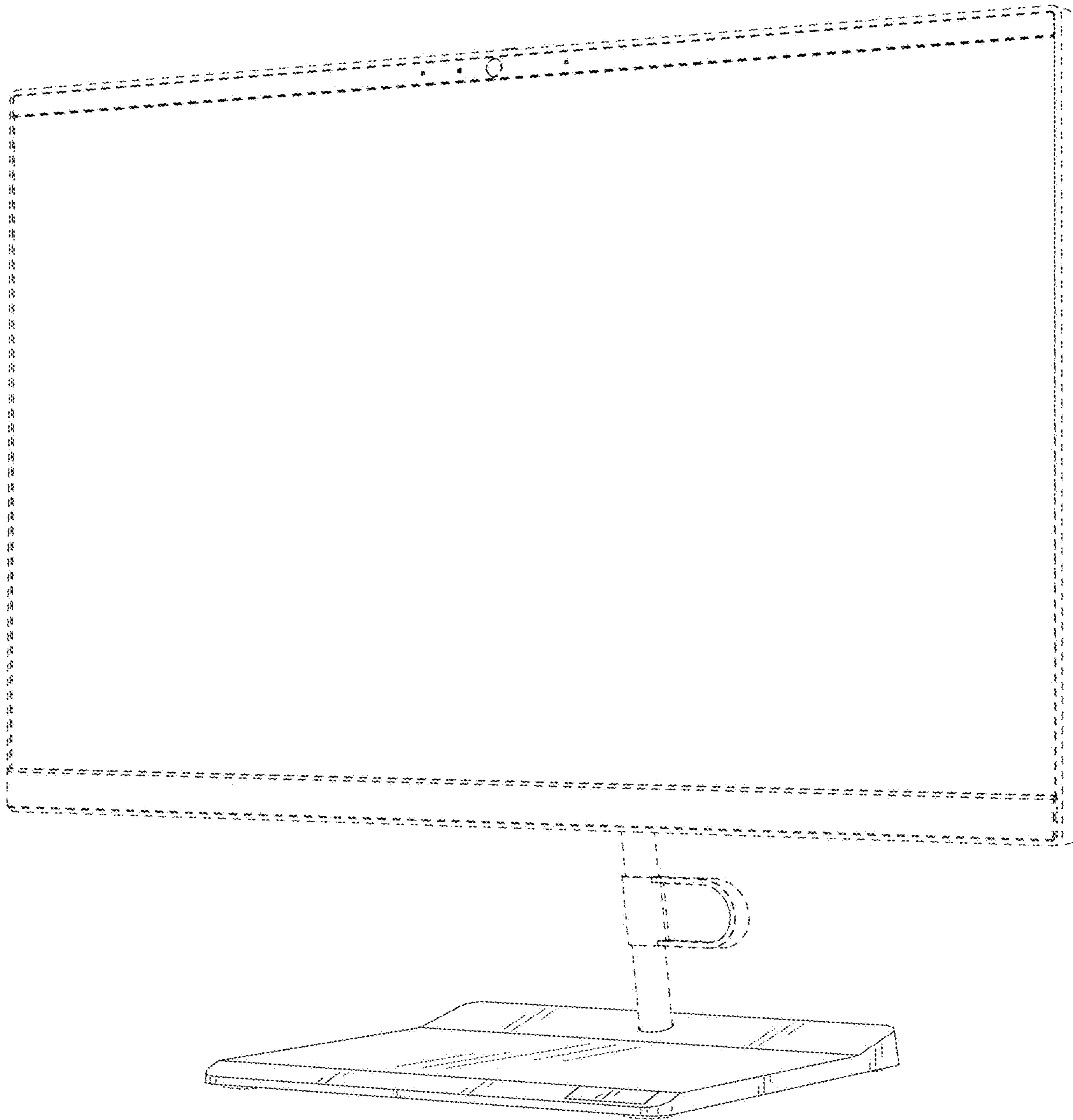


2.6

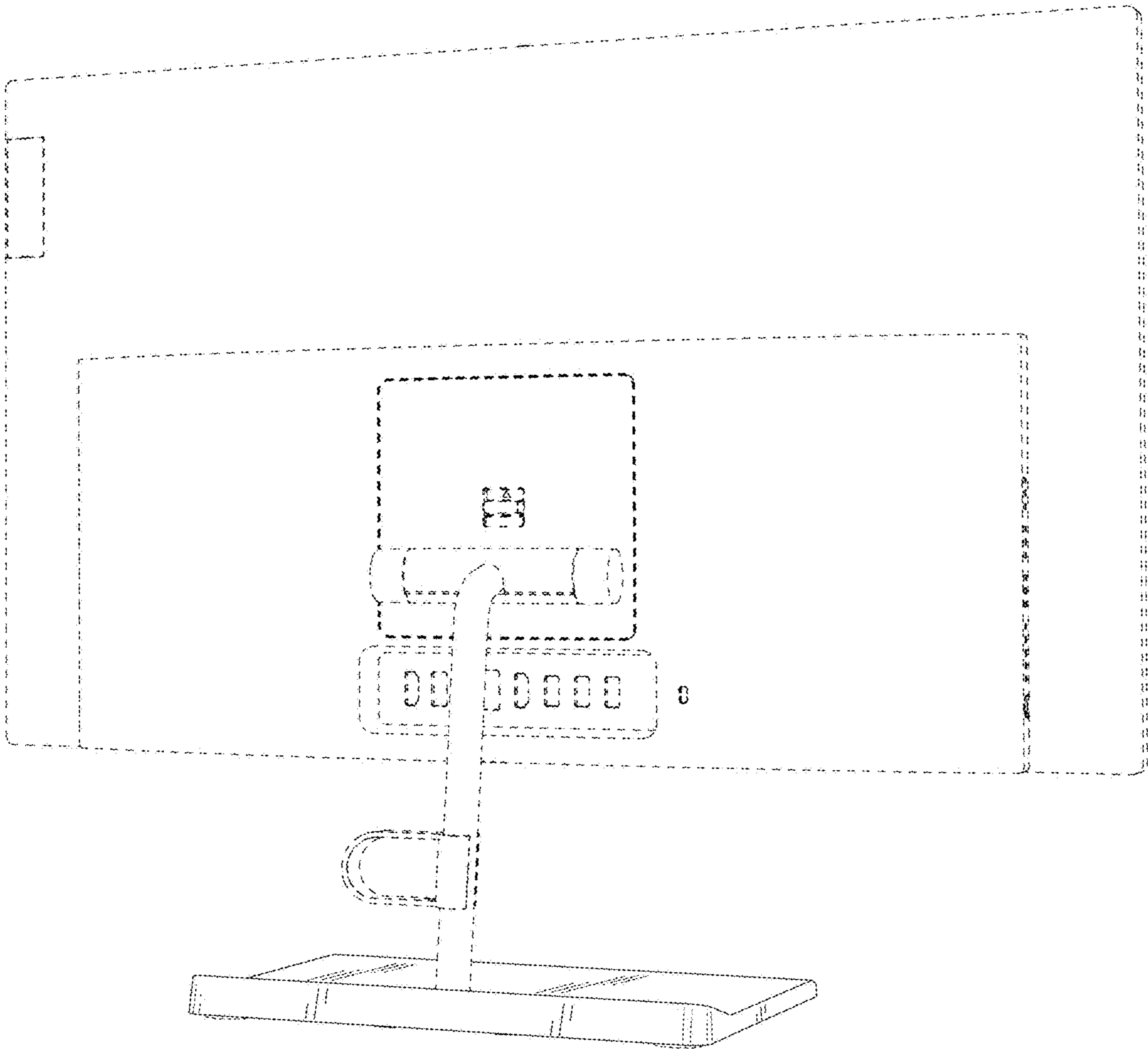




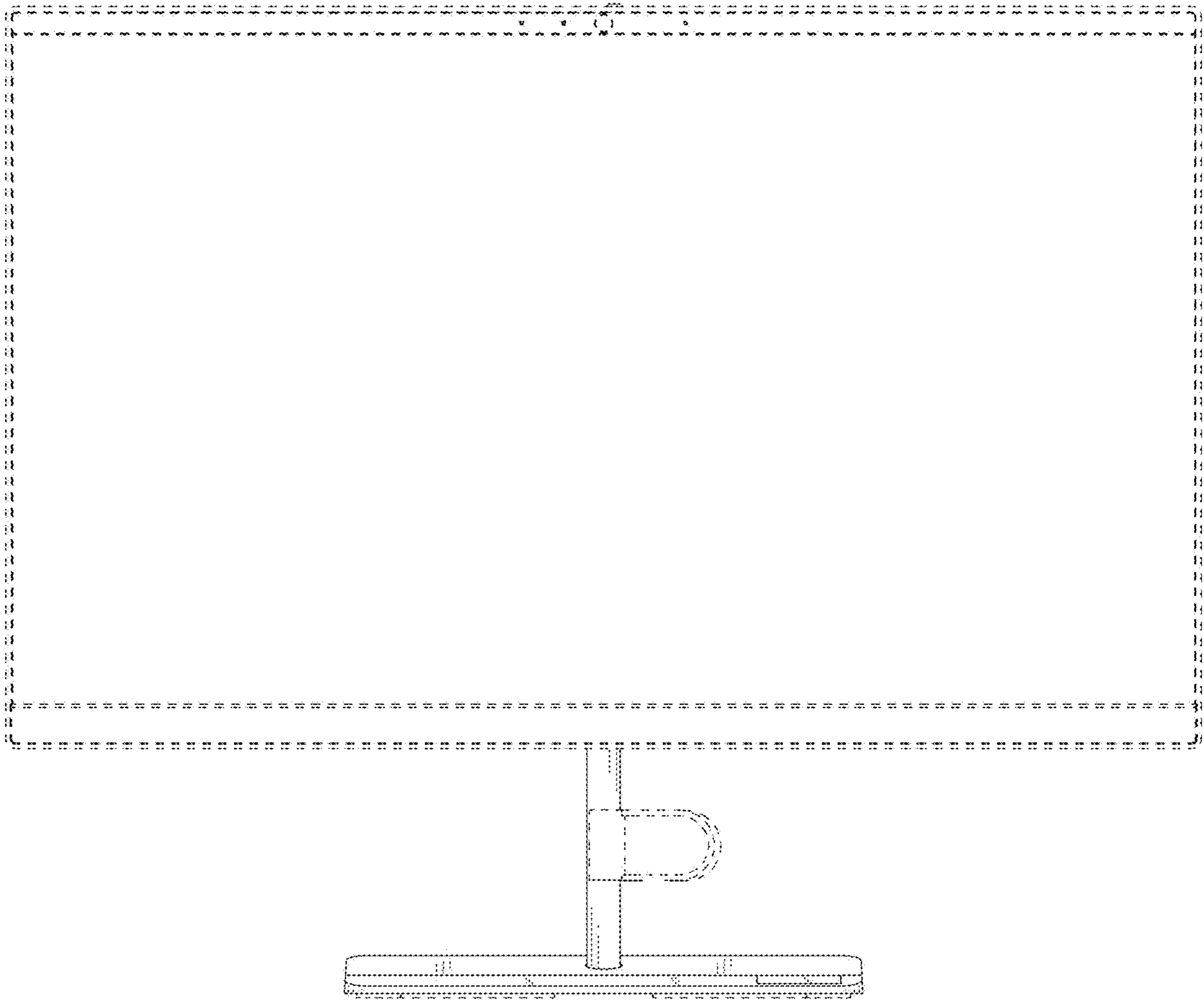
2.7

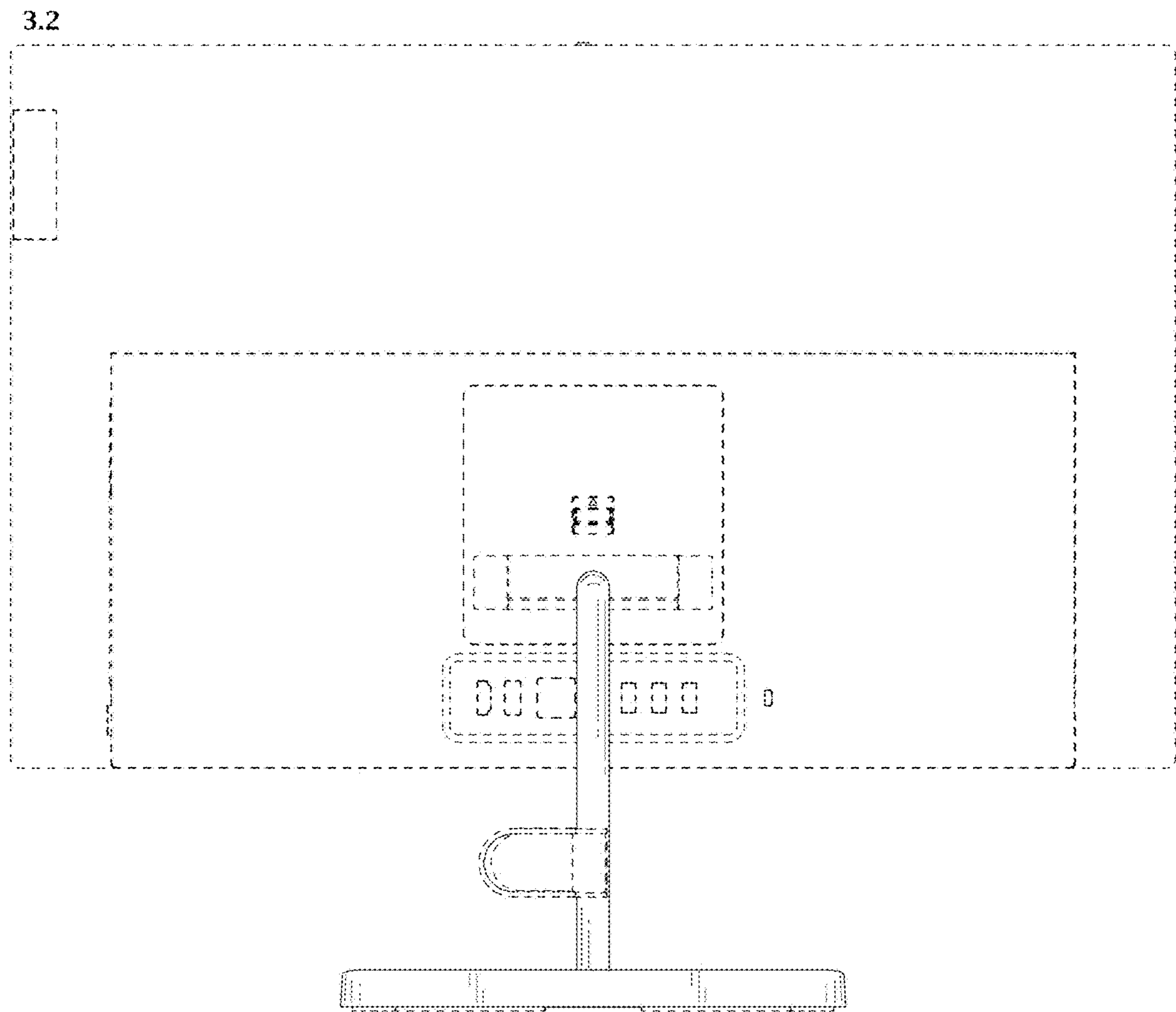


2.8

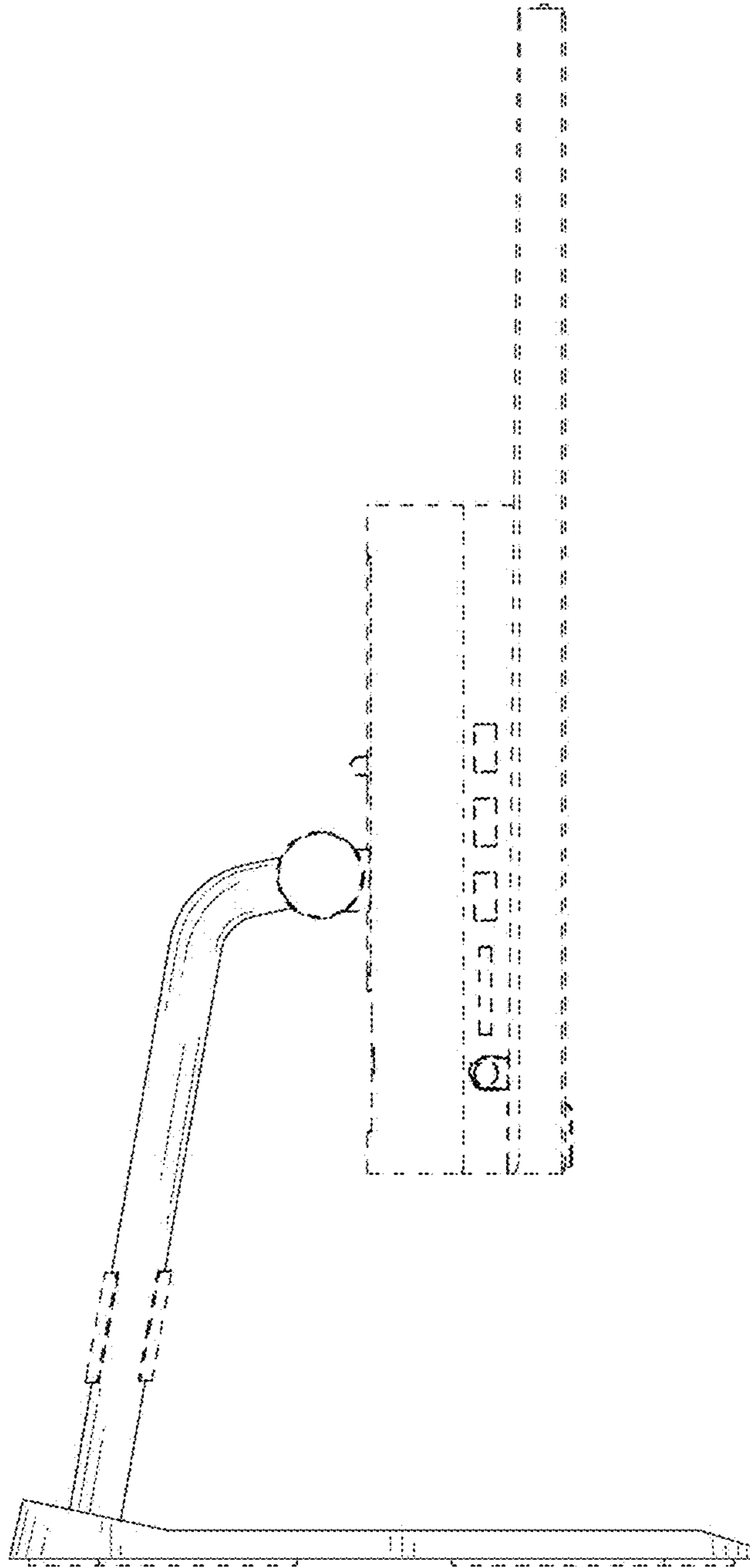


3.1

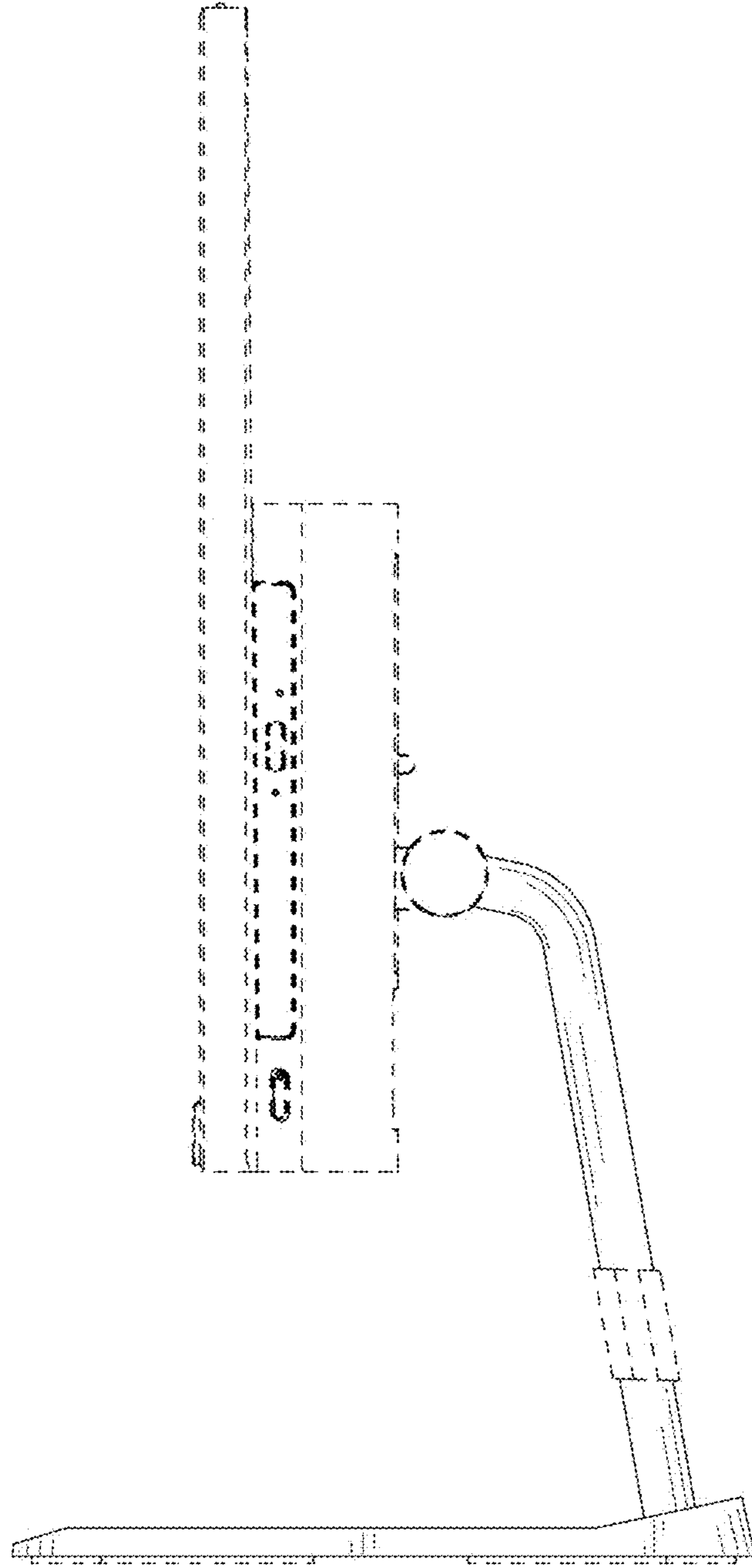




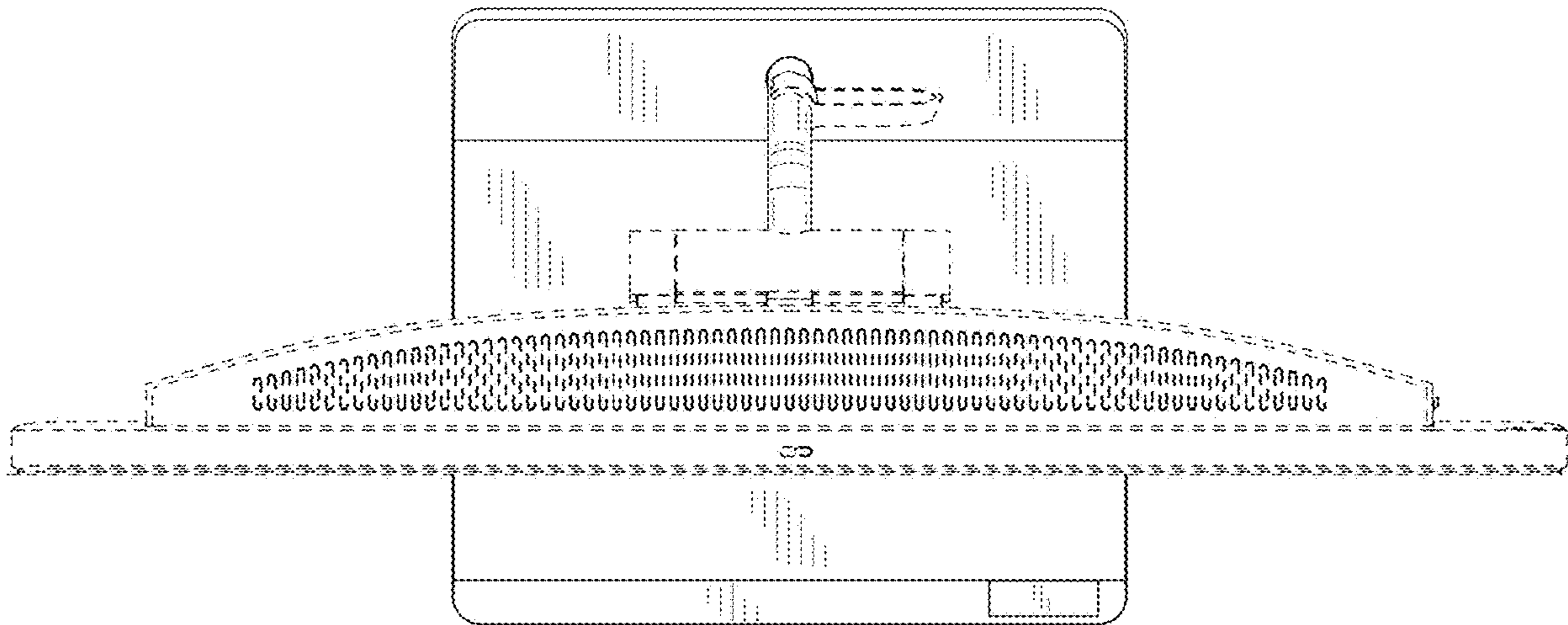
3.3



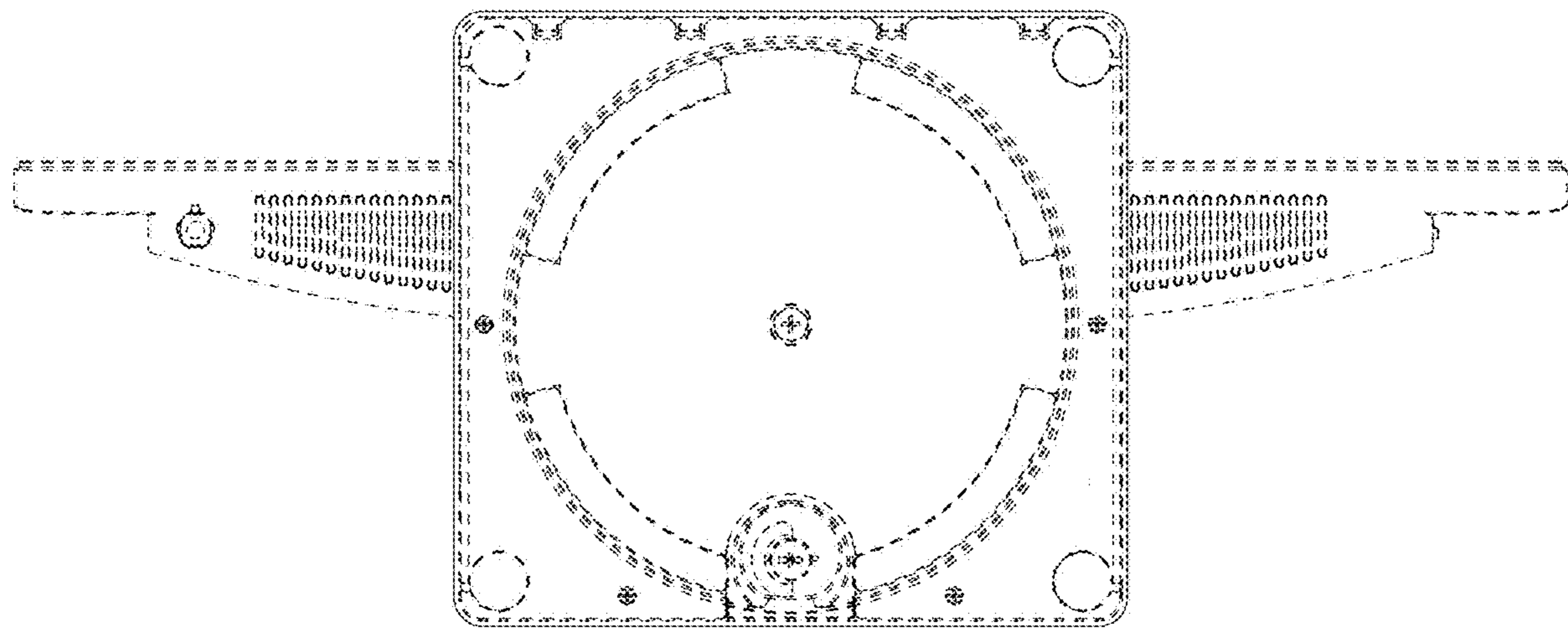
3.4



3.5

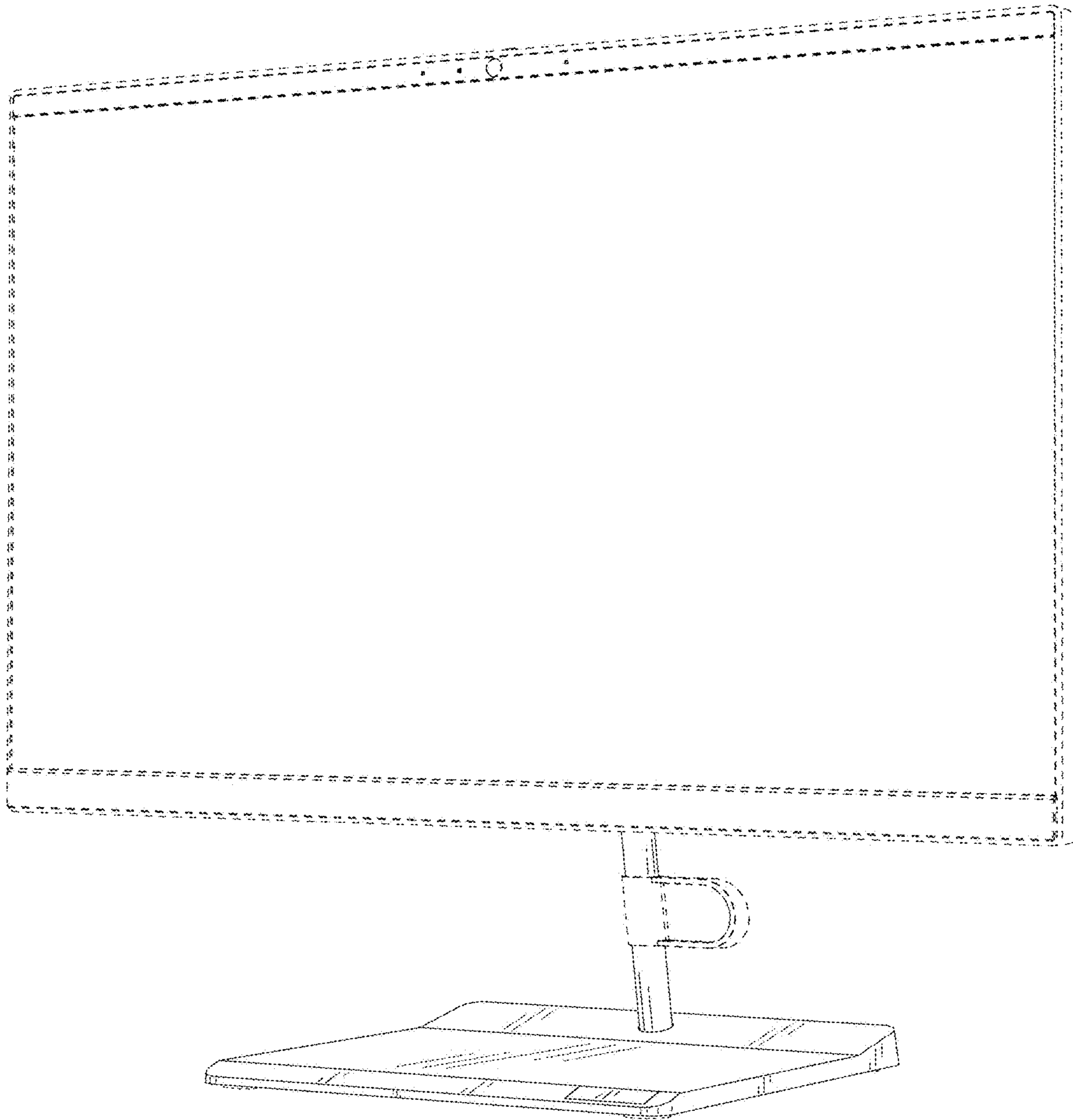


3.6





3.7



3.8

