



US00D937823S

(12) **United States Design Patent** (10) **Patent No.:** **US D937,823 S**
Ahn et al. (45) **Date of Patent:** **** Dec. 7, 2021**

(54) **INFORMATION CONSOLE**

- (71) Applicant: **Waymo LLC**, Mountain View, CA (US)
- (72) Inventors: **YooJung Ahn**, Mountain View, CA (US); **Joshua Newby**, San Francisco, CA (US); **Albert Shane**, Berkeley, CA (US)
- (73) Assignee: **Waymo LLC**, Mountain View, CA (US)
- (**) Term: **15 Years**
- (21) Appl. No.: **29/798,993**
- (22) Filed: **Jul. 12, 2021**

Related U.S. Application Data

- (60) Continuation of application No. 29/769,509, filed on Feb. 5, 2021, now Pat. No. Des. 928,772, which is a division of application No. 29/688,952, filed on Apr. 25, 2019, now Pat. No. Des. 912,655.
- (51) **LOC (13) Cl.** **14-02**
- (52) **U.S. Cl.**
USPC **D14/307**
- (58) **Field of Classification Search**
USPC D14/302-307, 900-902; D13/163; D20/10; D21/332, 325, 369, 370; D99/28; D6/397, 466; 194/206; 361/679.01, 679.02, 679.04, 679.21, 361/679.57, 725
CPC G06Q 20/18; G06Q 20/10; G06Q 20/123; G06Q 20/20; G06Q 30/02; G06Q 30/06; A47F 9/047

See application file for complete search history.

(56) **References Cited**

U.S. PATENT DOCUMENTS

D712,396 S	9/2014	Johnson et al.	
D732,521 S	6/2015	Chadbourne et al.	
D734,314 S	7/2015	Swaine et al.	
D806,698 S	1/2018	Thompson	
D827,008 S	8/2018	Okada et al.	
D829,704 S	10/2018	Oross et al.	
D829,705 S	10/2018	Oross et al.	
D836,625 S	12/2018	Szeredi et al.	
D842,296 S *	3/2019	Gross	D14/307
D854,538 S *	7/2019	Szeredi	D14/307
D856,410 S	8/2019	Lee	
D857,791 S	8/2019	Luo et al.	
D864,193 S *	10/2019	Oosawa	D14/307
D872,171 S	1/2020	Luo et al.	
D881,258 S	4/2020	Lindquist	
D883,278 S *	5/2020	Yepez	D14/307
D888,705 S *	6/2020	Saito	D14/307
D892,110 S *	8/2020	Birgeoglu	D14/307
D900,804 S	11/2020	Mugica et al.	
D900,814 S	11/2020	Lee	

(Continued)

Primary Examiner — Austin Murphy

(74) *Attorney, Agent, or Firm* — Banner & Witcoff, Ltd.

(57) **CLAIM**

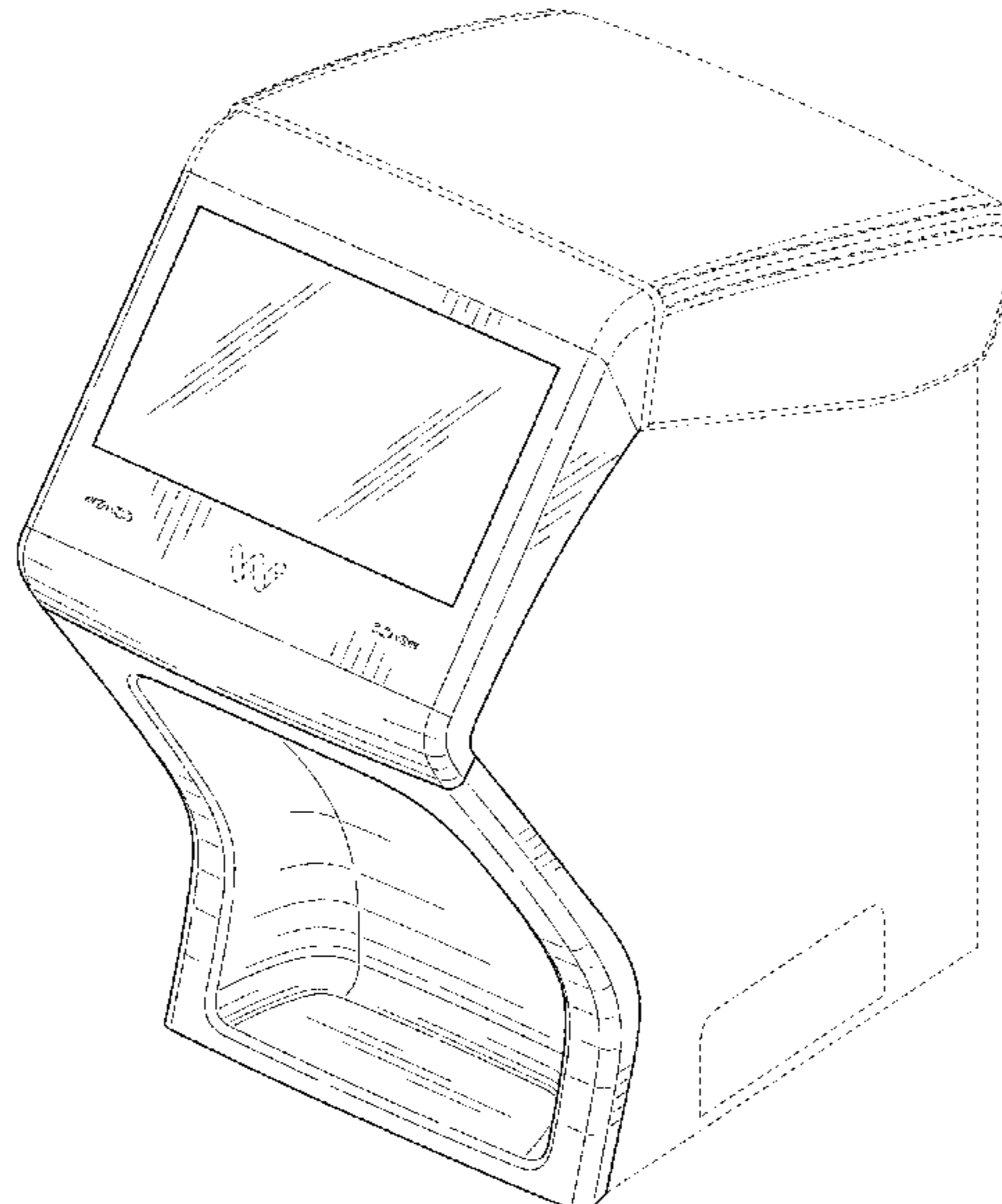
The ornamental design for an information console, as shown and described.

DESCRIPTION

FIG. 1 is a front perspective view of the claimed design for an information console;
 FIG. 2 is a front view thereof;
 FIG. 3 is a right side view thereof;
 FIG. 4 is a left side view thereof; and,
 FIG. 5 is a top view thereof.

The broken lines immediately adjacent to the shaded area depict boundaries of the claimed design and form no part thereof. The broken lines showing the remainder of the information console depict environmental structure and form no part of the claimed design.

1 Claim, 5 Drawing Sheets



(56)

References Cited

U.S. PATENT DOCUMENTS

D902,297 S 11/2020 Cathala
D902,918 S * 11/2020 Friedli D14/307
D904,394 S * 12/2020 Friedli D14/307
D912,655 S * 3/2021 Ahn D14/307
D918,193 S * 5/2021 Fredette D14/307
D918,893 S * 5/2021 Bonilla D14/307
D924,222 S * 7/2021 Lee D14/307
D928,772 S * 8/2021 Ahn D14/307
2013/0320177 A1 12/2013 Chen et al.

* cited by examiner

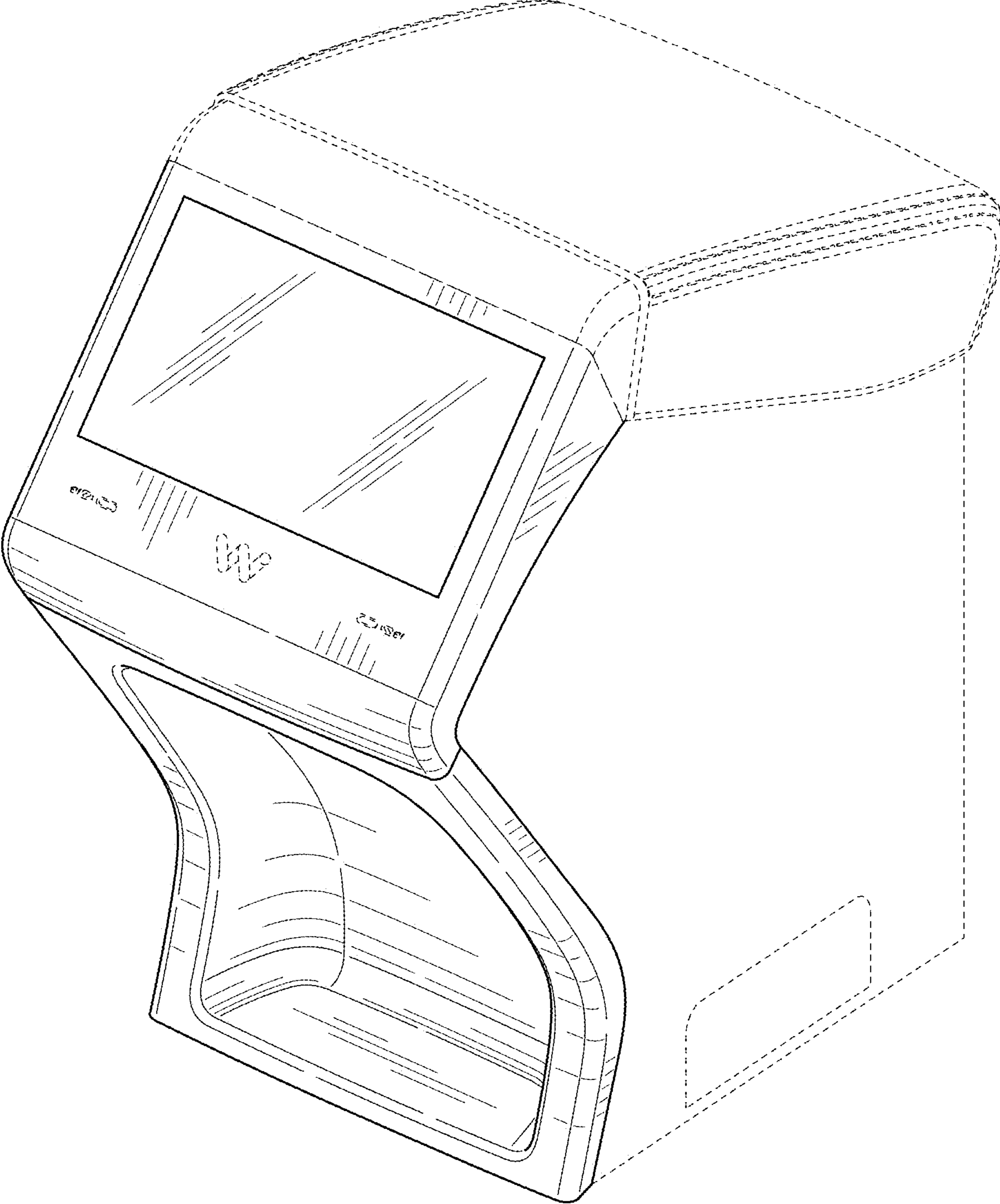


FIG. 1

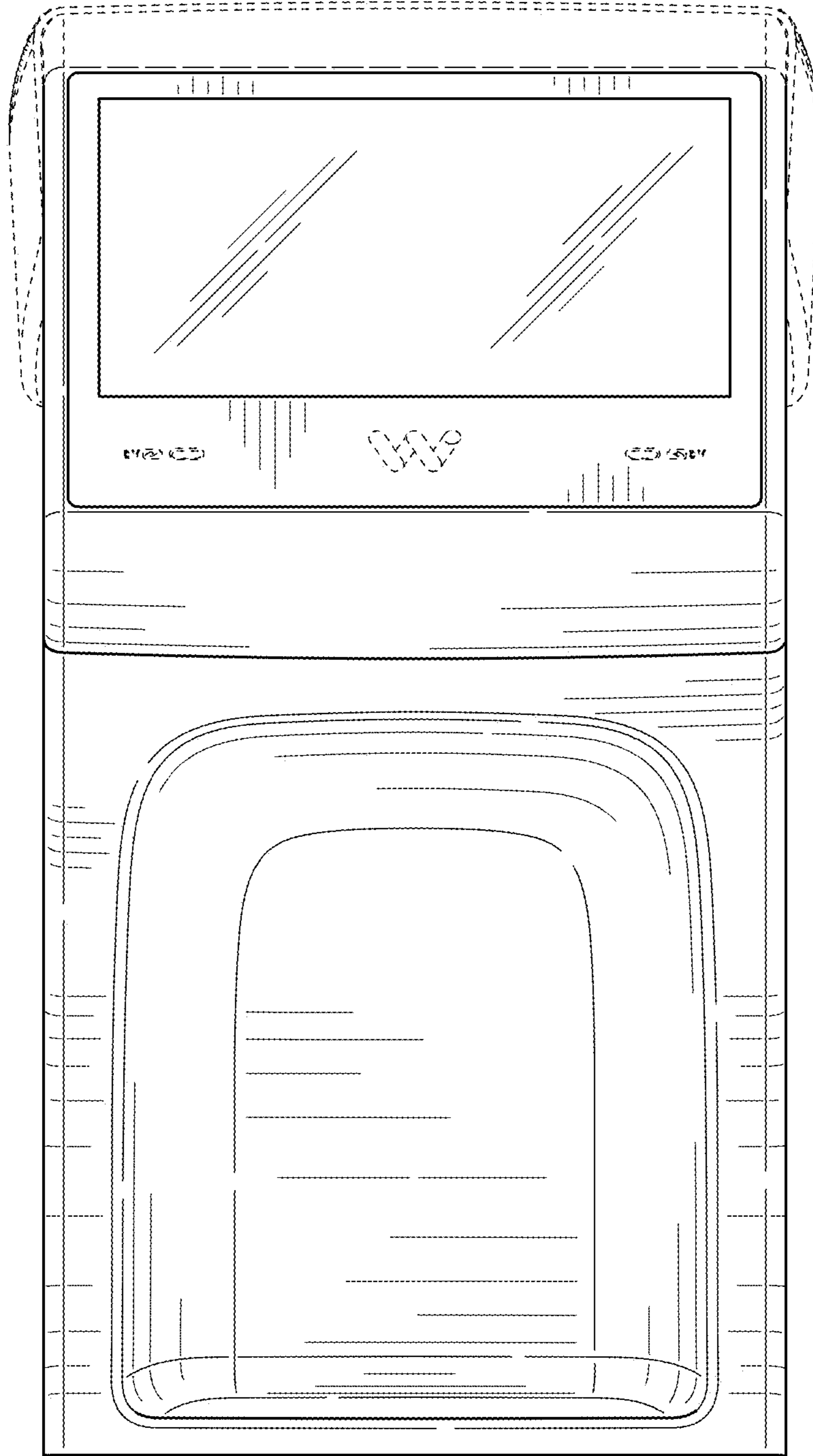


FIG. 2

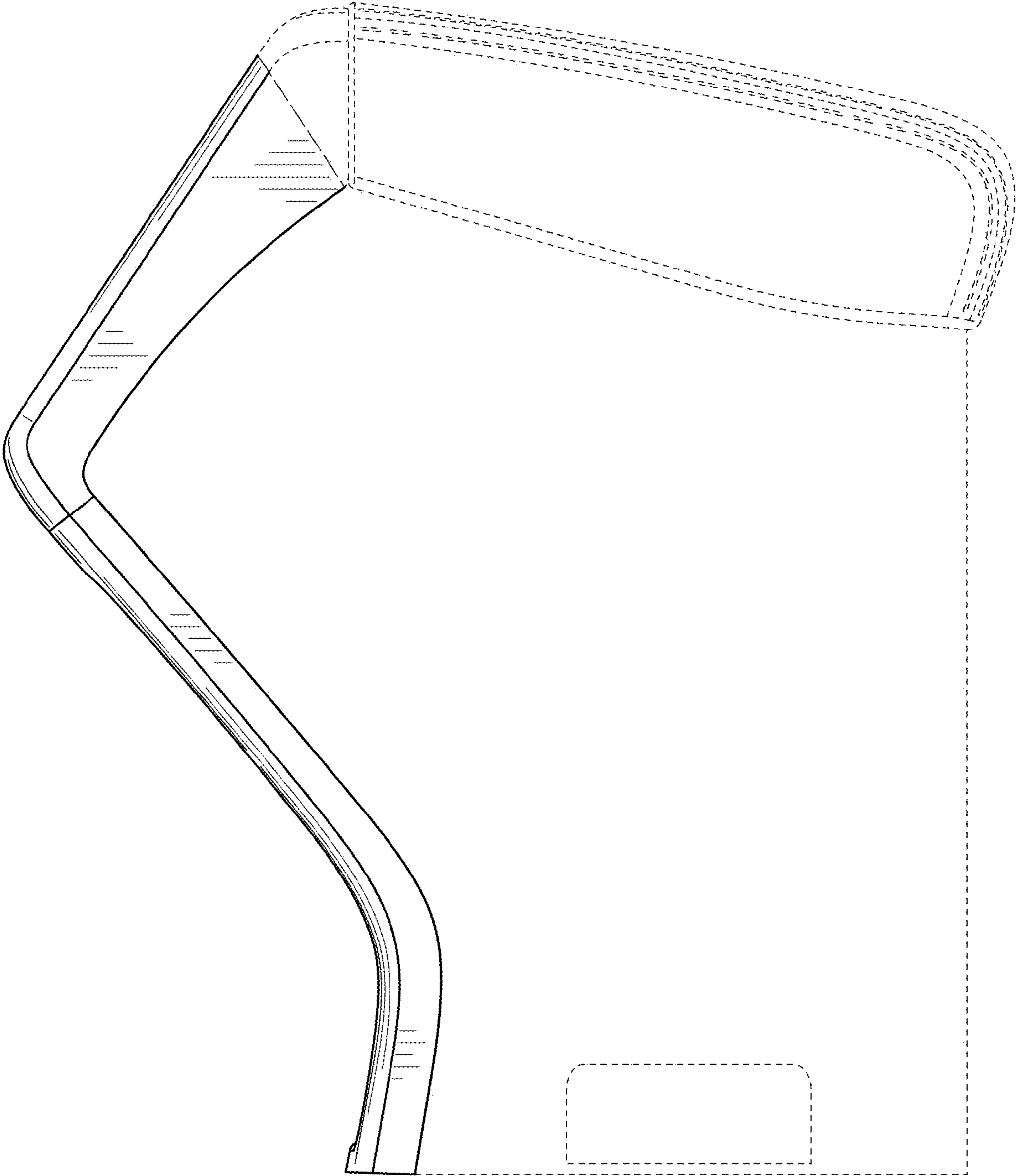


FIG. 3

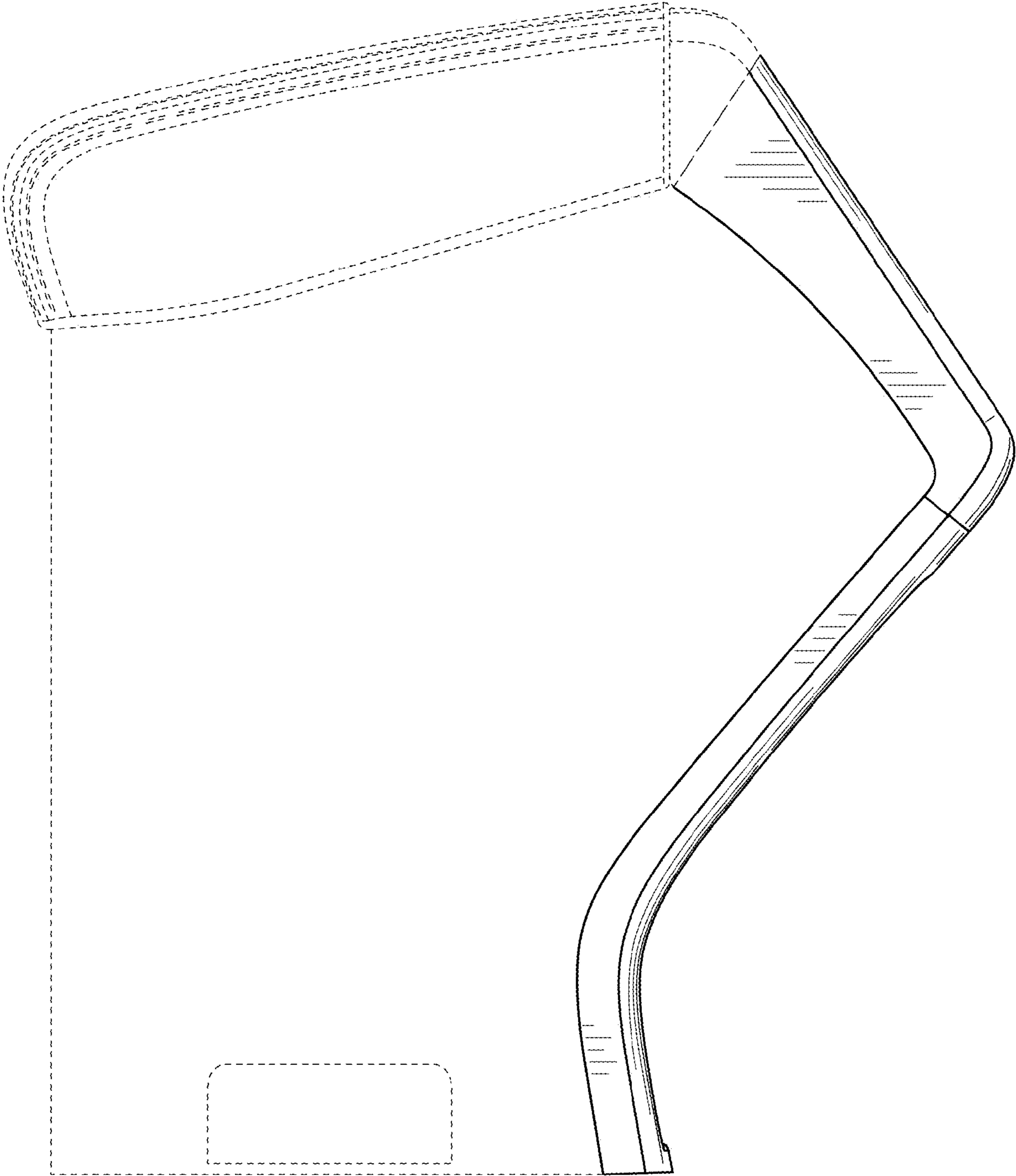


FIG. 4

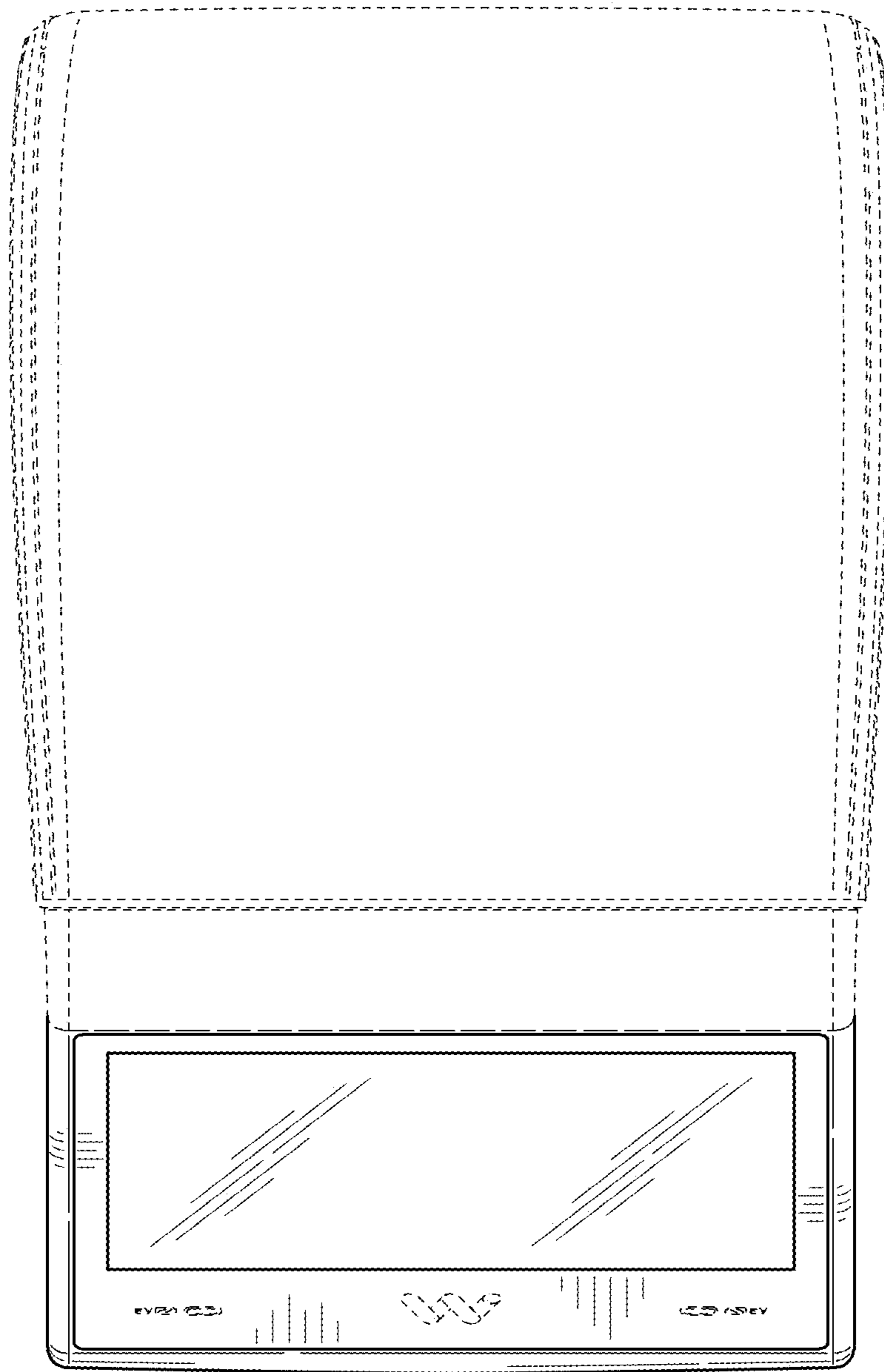


FIG. 5