



US00D937822S

(12) **United States Design Patent** (10) **Patent No.:** **US D937,822 S**
Morooka et al. (45) **Date of Patent:** **** Dec. 7, 2021**

(54) **ARITHMETIC AND CONTROL UNIT**
(71) Applicant: **FUJITSU LIMITED**, Kawasaki (JP)
(72) Inventors: **Hisao Morooka**, Kawasaki (JP);
Kensuke Iizuka, Tokyo (JP); **Mark Friesen**, Kawasaki (JP)
(73) Assignee: **FUJITSU LIMITED**, Kawasaki (JP)
(**) Term: **15 Years**
(21) Appl. No.: **35/508,609**
(22) Filed: **Apr. 17, 2019**

(80) **Hague Agreement Data**
Int. Filing Date: **Apr. 17, 2019**
Int. Reg. No.: **DM/205807**
Int. Reg. Date: **Apr. 17, 2019**
Int. Reg. Pub. Date: **Feb. 14, 2020**

(30) **Foreign Application Priority Data**
Oct. 22, 2018 (JP) 2018-023094
(51) **LOC (13) Cl.** **14-02**
(52) **U.S. Cl.**
USPC **D14/300; D14/355**
(58) **Field of Classification Search**
USPC D14/168, 496, 498, 499, 314, 348,
D14/353-358, 300; D21/324, 332, 333;
D13/158, 159, 162, 184, 199
CPC G06F 1/16; G06F 1/1601; G06F 1/1607;
G06F 9/00; G06F 13/00; A63F 9/00;
A63F 2003/046; A63F 2003/0463; F23D
3/26; F23D 3/32; F23N 5/24
See application file for complete search history.

(56) **References Cited**
U.S. PATENT DOCUMENTS
D344,070 S * 2/1994 Gluskoter D14/355
D372,894 S * 8/1996 Bernal D12/196

D427,302 S * 6/2000 Mills D23/387
D442,585 S * 5/2001 Toussi D14/356
D477,600 S * 7/2003 Crisp D14/354
D479,717 S * 9/2003 Searby D14/353
D488,153 S * 4/2004 Tosh D14/300
D503,718 S * 4/2005 Heinz D14/444
D519,667 S * 4/2006 Zucker D26/85
D530,323 S * 10/2006 Hsu D14/348
D553,643 S * 10/2007 Nemoto D14/496
D672,705 S * 12/2012 Kennedy D12/412
D715,294 S * 10/2014 Koberling D14/349
D716,801 S * 11/2014 Koberling D14/349
D716,802 S * 11/2014 Koberling D14/349
D717,294 S * 11/2014 Tsusaka D14/314
D717,297 S * 11/2014 Koberling D14/349
D727,920 S * 4/2015 Togawa D14/441
D803,224 S * 11/2017 Besterman D14/441
D803,225 S * 11/2017 Besterman D14/441

(Continued)

Primary Examiner — Keli L Hill
(74) *Attorney, Agent, or Firm* — Oblon, McClelland,
Maier & Neustadt, L.L.P.

(57) **CLAIM**

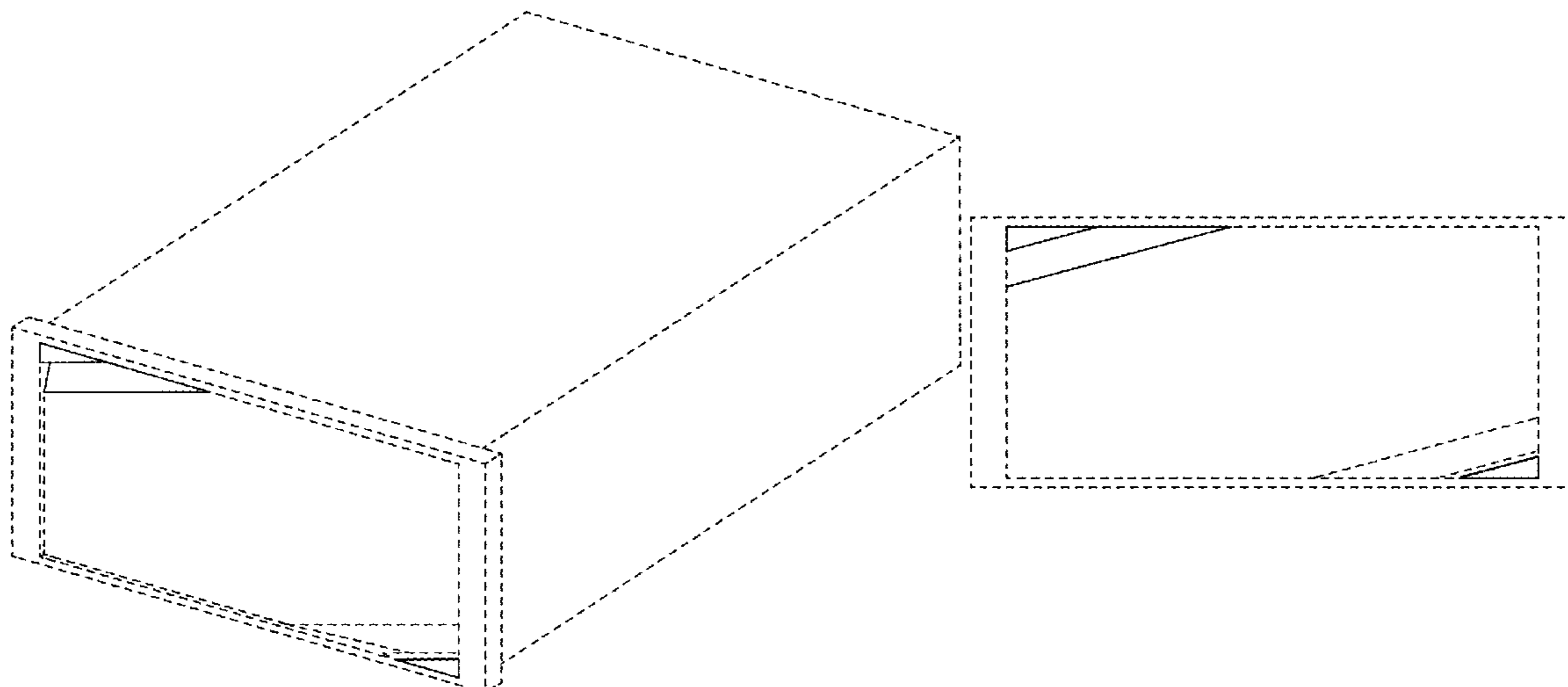
The ornamental design for an arithmetic and control unit, as shown and described.

DESCRIPTION

- 1. Arithmetic and control unit
- 1.1 : Perspective
- 1.2 : Front
- 1.3 : Back
- 1.4 : Top
- 1.5 : Bottom
- 1.6 : Right
- 1.7 : Left

The product which constitutes the industrial design of this application is an “arithmetic and control unit”, which incorporates some arithmetic processing units; the parts shown in broken lines form no part of the claimed design.

1 Claim, 7 Drawing Sheets



(56)

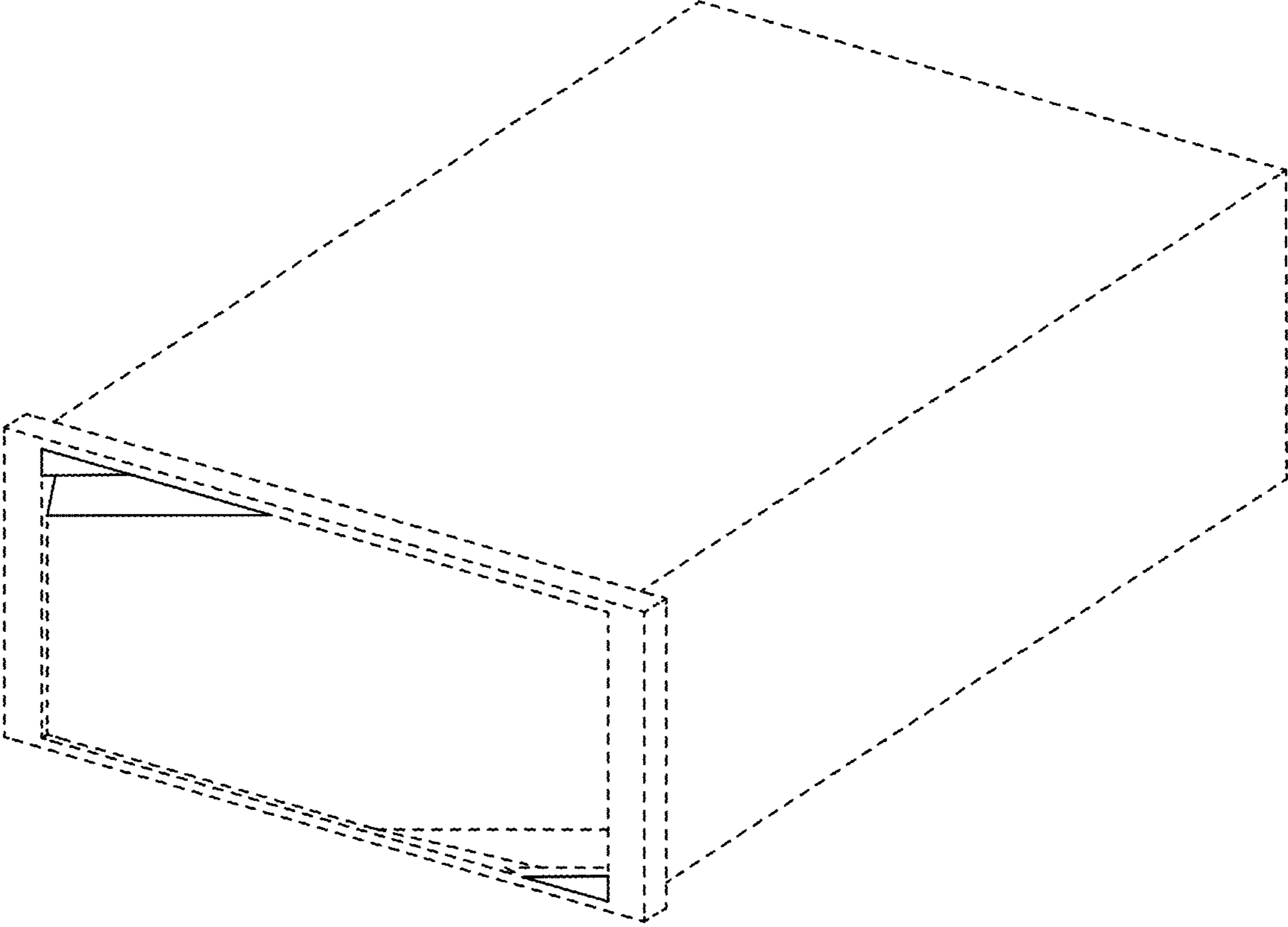
References Cited

U.S. PATENT DOCUMENTS

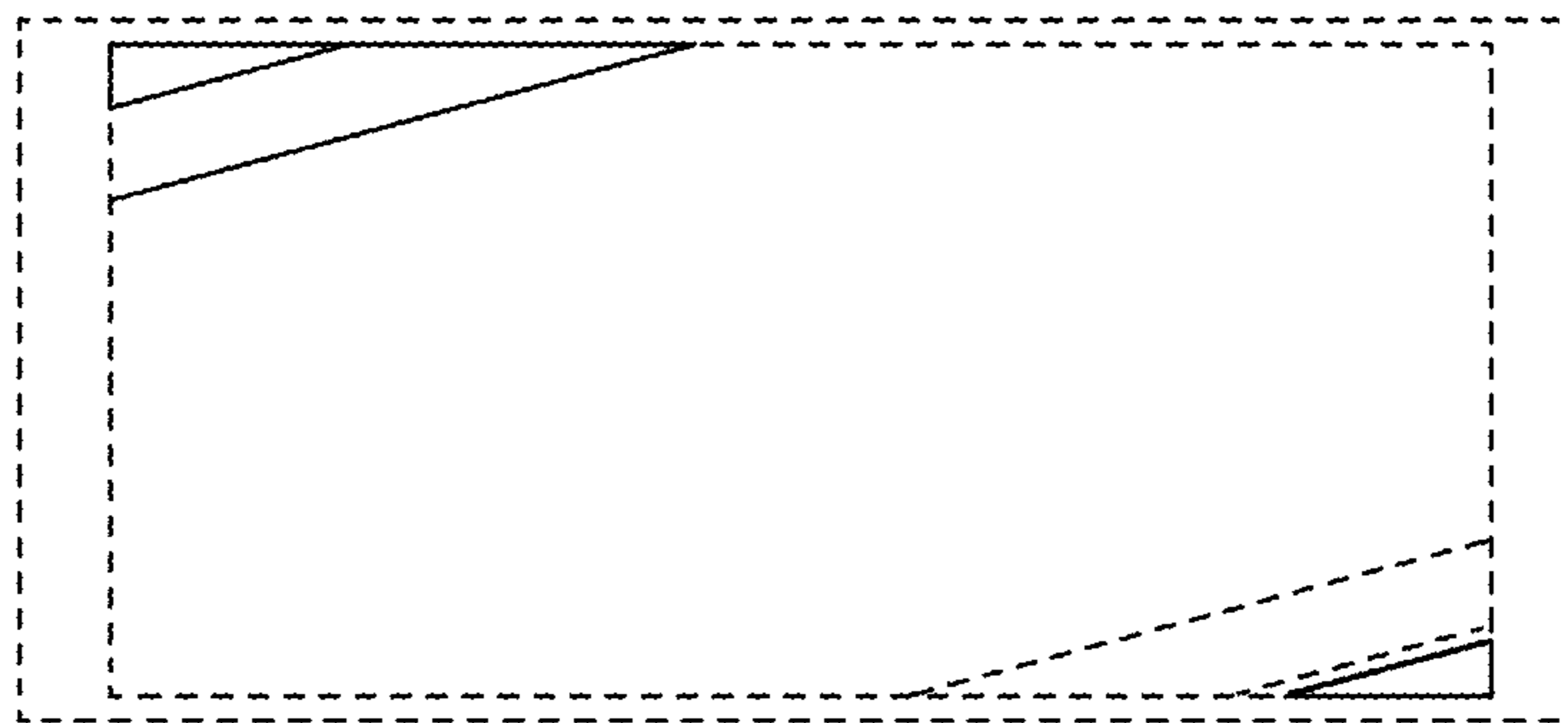
D805,627 S	*	12/2017	Green	D23/388
D814,450 S	*	4/2018	Kumazawa	D14/240
D817,963 S	*	5/2018	Ravat	D14/444
D829,926 S	*	10/2018	Avetsisians	D25/38.1
D840,889 S	*	2/2019	Torres	D12/196
D894,892 S	*	9/2020	Andersson	D14/300
D910,027 S	*	2/2021	Kawano	D14/444
D919,612 S	*	5/2021	Wang	D14/312
D919,613 S	*	5/2021	Park	D14/314

* cited by examiner

1.1



1.2



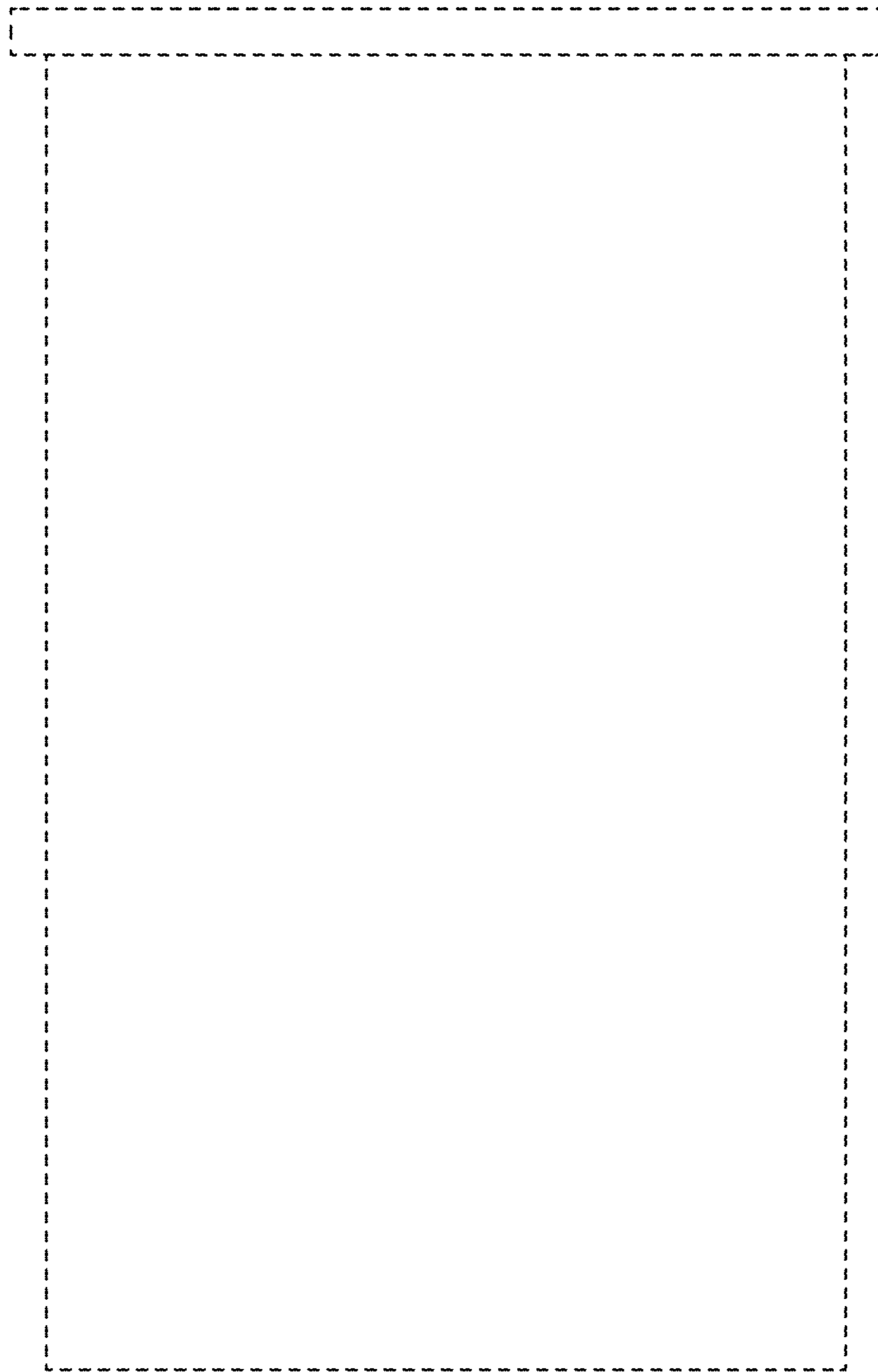
1.3



1.4



1.5



1.6



1.7

