



US00D937821S

(12) **United States Design Patent**  
**Han**

(10) **Patent No.:** **US D937,821 S**

(45) **Date of Patent:** **\*\* Dec. 7, 2021**

- (54) **MOLD SET FOR PHONE STAND**
- (71) Applicant: **Jintao Han**, Xinxiang (CN)
- (72) Inventor: **Jintao Han**, Xinxiang (CN)
- (\*\*) Term: **15 Years**
- (21) Appl. No.: **29/767,618**
- (22) Filed: **Jan. 25, 2021**
- (51) **LOC (13) Cl.** ..... **14-03**
- (52) **U.S. Cl.**  
USPC ..... **D14/253**
- (58) **Field of Classification Search**  
USPC ..... D14/251–253, 440, 447, 217, 238.1;  
D12/415; D3/218, 247, 249; D13/108;  
D6/310; D8/353  
CPC ..... H04M 1/04; H04M 1/21; H04M 1/0266;  
F16M 13/00; F16M 11/041; B60R  
11/0241; B60R 11/0252; B60R  
2011/0059; B60R 2011/0063; B60R  
2011/0005; B60R 2011/0003; B60R  
2011/0078; H02J 7/0027; H02J 2310/22;  
A45F 2200/0516; A45F 5/00; A45F  
2200/0525; A45F 5/10; A45C 2011/002;  
G03B 17/561; G03B 27/582; A47B  
97/04; G09F 1/00  
See application file for complete search history.

- D723,022 S \* 2/2015 Miles ..... D14/253
- D780,168 S \* 2/2017 Du
- D786,231 S \* 5/2017 Dowless ..... D14/250
- D788,093 S \* 5/2017 Lee ..... D14/250
- D840,988 S \* 2/2019 Kim ..... D14/250
- D854,535 S \* 7/2019 Hyun ..... D14/250
- D864,186 S 10/2019 Du
- D878,039 S \* 3/2020 Cantoli-Alves ..... D3/247
- D916,069 S \* 4/2021 Kwon ..... D14/250
- D917,441 S \* 4/2021 Kim ..... D14/250
- D920,965 S \* 6/2021 Lim ..... D14/250
- D925,514 S \* 7/2021 Chung ..... D14/250
- D928,135 S \* 8/2021 Kim ..... D14/250
- D928,136 S \* 8/2021 Kim ..... D14/250
- D929,389 S \* 8/2021 Ryu ..... D14/250
- 2019/0215388 A1 \* 7/2019 Cantoli-Alves ..... A45C 13/185

\* cited by examiner

*Primary Examiner* — Janice Hallmark

(57) **CLAIM**

The ornamental design for a mold set for phone stand, as shown and described.

**DESCRIPTION**

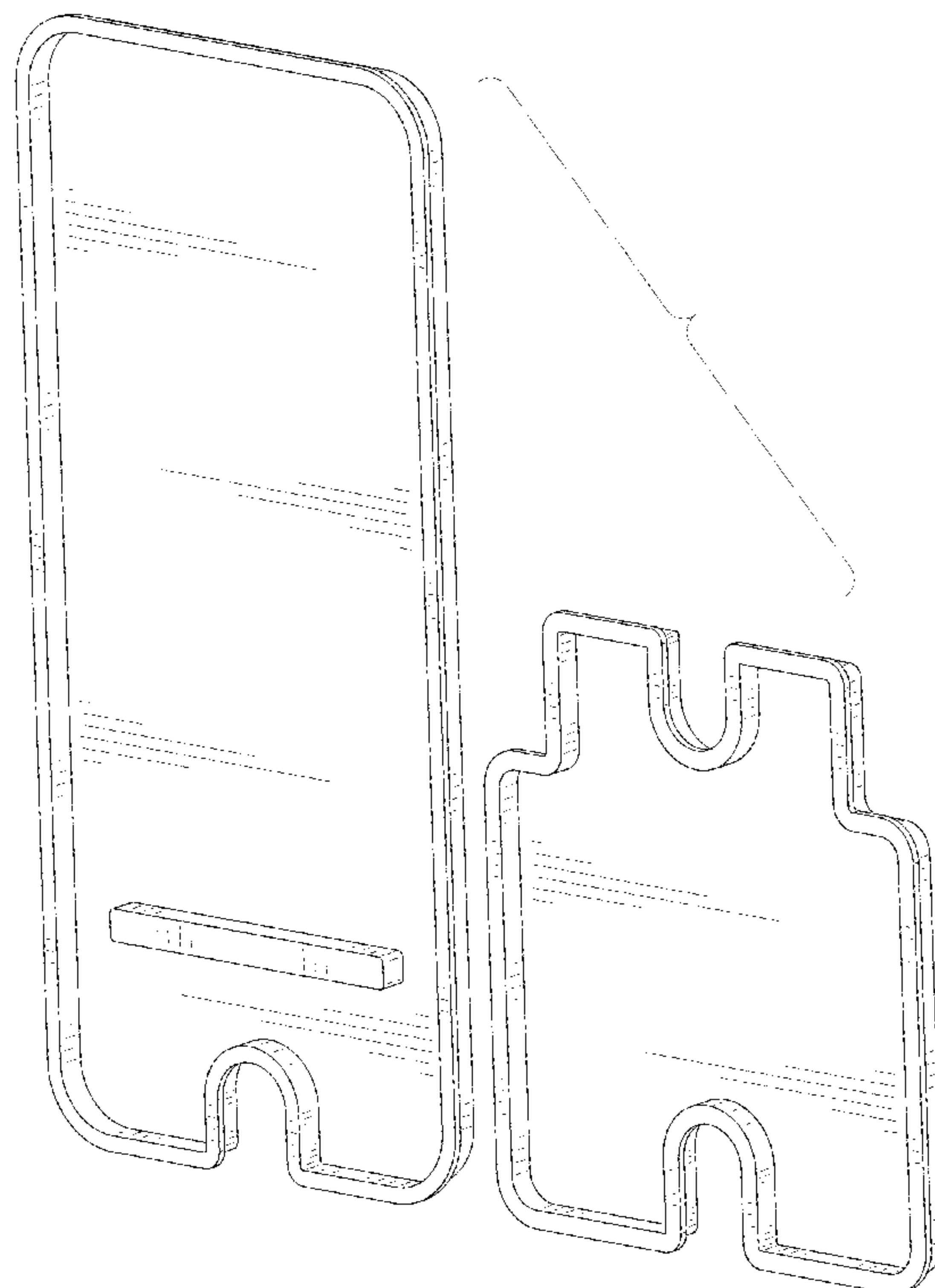
FIG. 1 is a perspective view of a mold set for phone stand showing my new design;  
 FIG. 2 is another perspective view thereof;  
 FIG. 3 is a front elevational view thereof;  
 FIG. 4 is a rear elevational view thereof;  
 FIG. 5 is a left side elevational view thereof;  
 FIG. 6 is a right side elevational view thereof;  
 FIG. 7 is a top plan view thereof; and,  
 FIG. 8 is a bottom plan view thereof.

**1 Claim, 8 Drawing Sheets**

(56) **References Cited**

U.S. PATENT DOCUMENTS

- D628,795 S \* 12/2010 Sanders ..... D3/247
- D703,650 S \* 4/2014 Ehrlich ..... D14/250



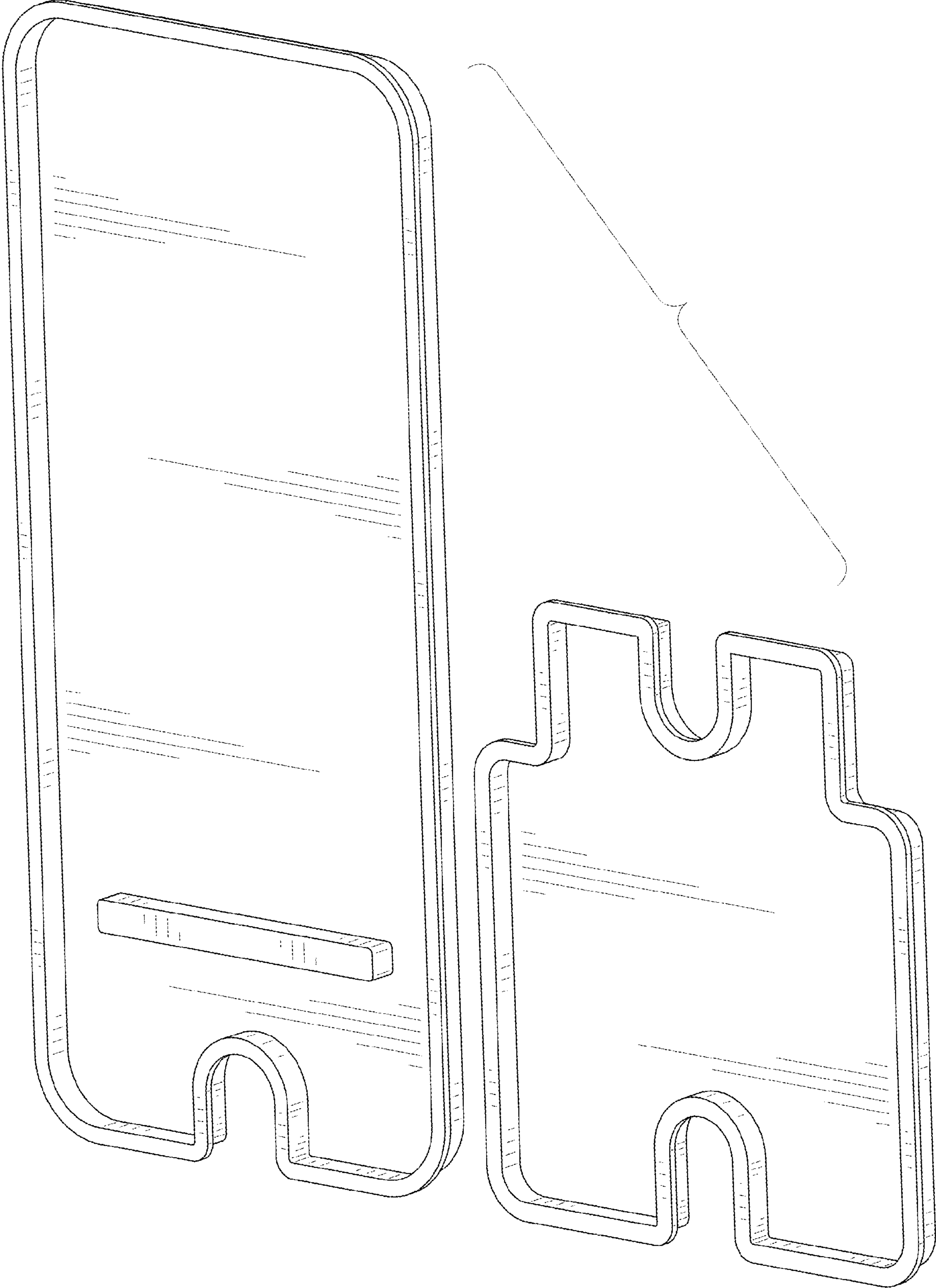


FIG. 1

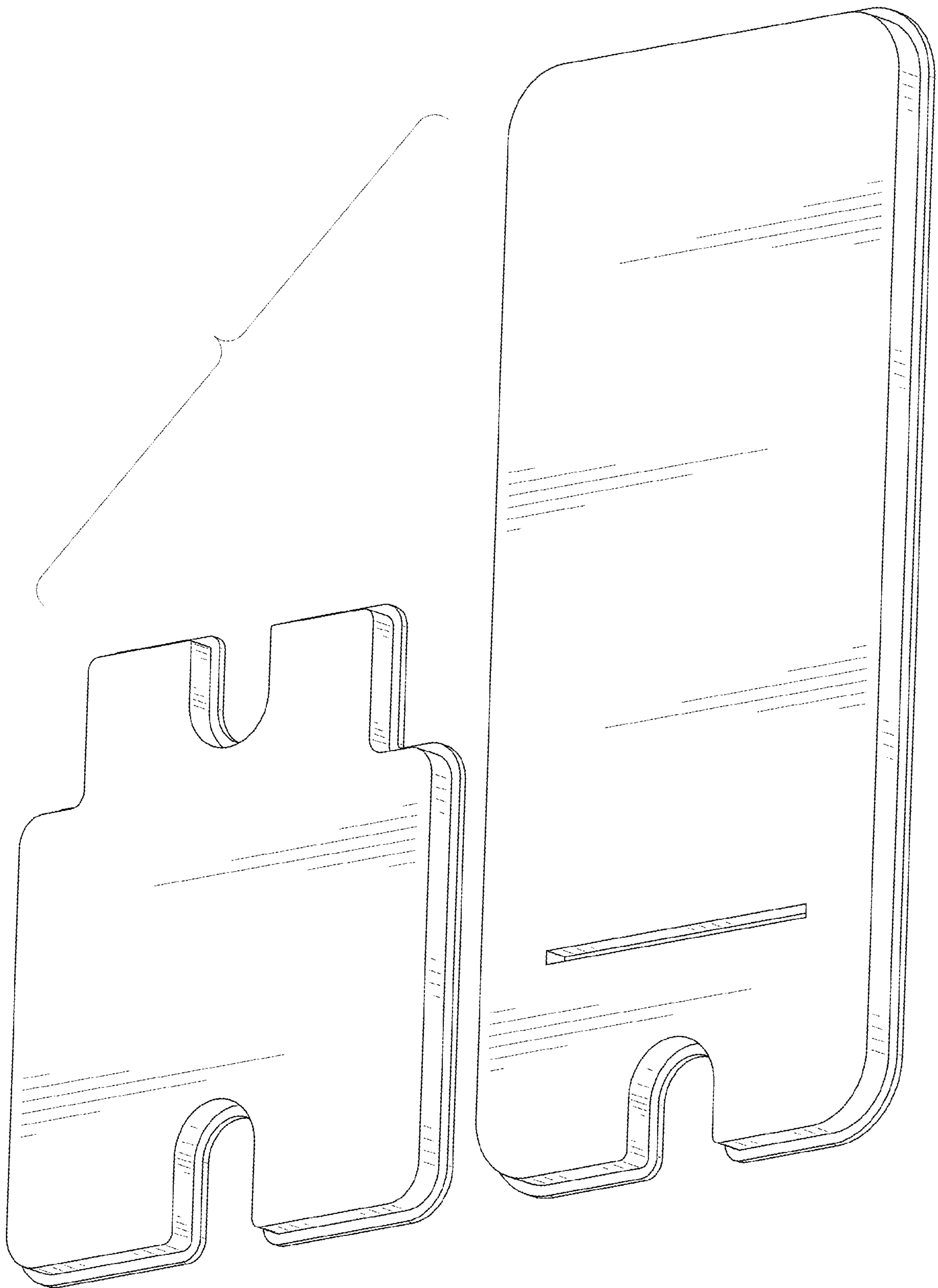


FIG. 2

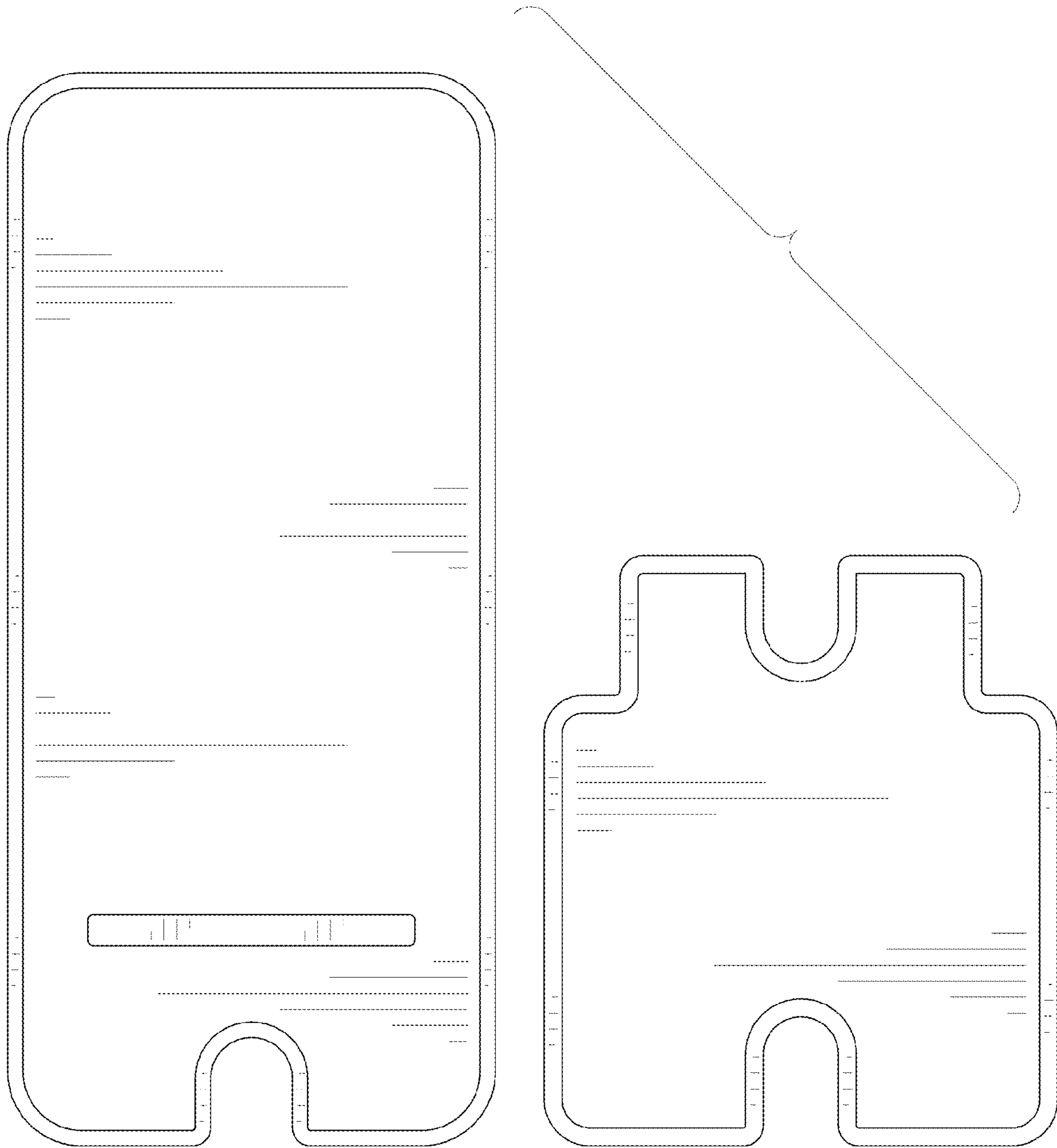


FIG. 3

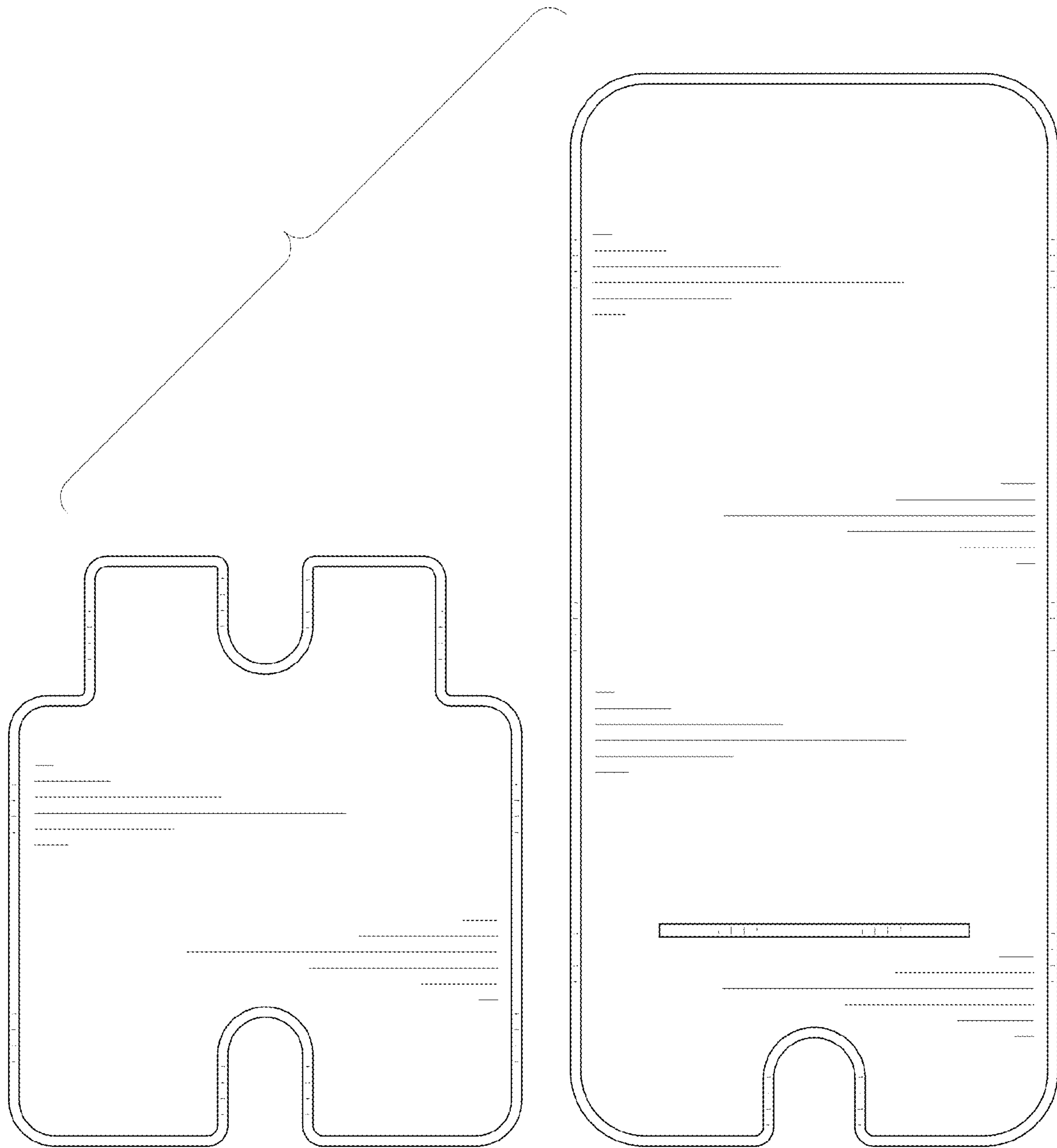


FIG. 4

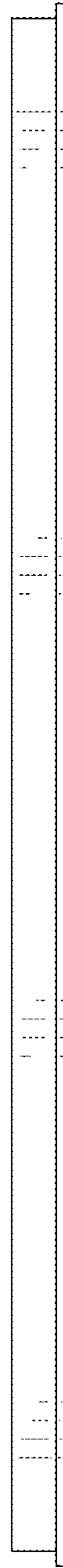


FIG. 5



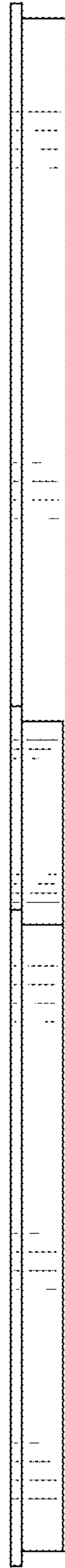


FIG. 6

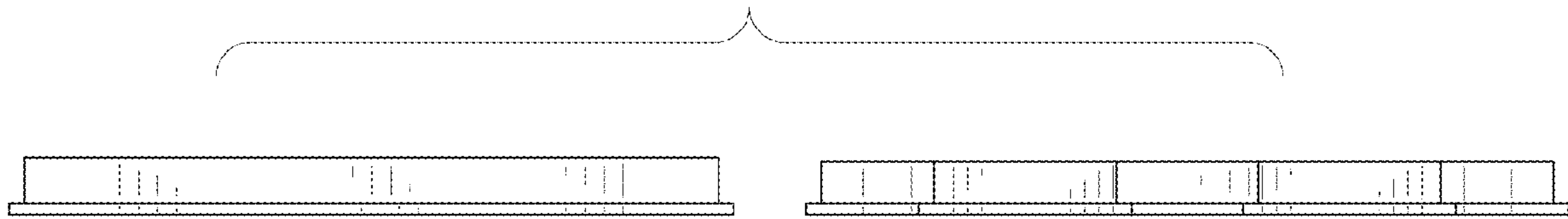


FIG. 7



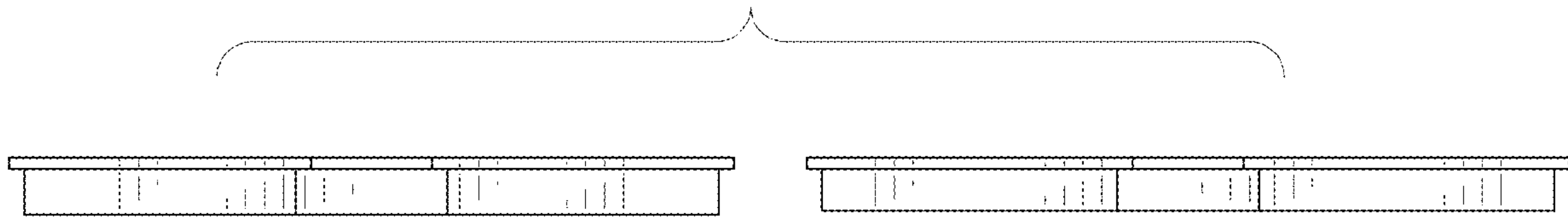


FIG. 8