



US00D937820S

(12) **United States Design Patent** (10) **Patent No.:** **US D937,820 S**  
**Li** (45) **Date of Patent:** **\*\* Dec. 7, 2021**

(54) **CAR MOBILE PHONE HOLDER**  
(71) Applicant: **Jiaxing Li**, Chongqing (CN)  
(72) Inventor: **Jiaxing Li**, Chongqing (CN)  
(\*\*) Term: **15 Years**  
(21) Appl. No.: **29/736,245**  
(22) Filed: **May 28, 2020**  
(51) **LOC (13) Cl.** ..... **14-99**  
(52) **U.S. Cl.**  
USPC ..... **D14/253**; D12/415  
(58) **Field of Classification Search**  
USPC .... D14/251-253, 224, 224.1, 432-434, 447,  
D14/451, 452; D12/415, 426.1, 114, 223;  
D16/242, 244, 245; D10/74; D3/218;  
D13/108  
CPC ..... B60R 11/00; B60R 11/02; B60R 11/0241;  
B60R 11/0252; B60R 2011/0003; B60R  
2011/0005; B60R 2011/0008; H04M  
1/04; H04B 1/3877; A45F 2200/0516;  
A45F 2200/0525; H05K 5/02; H05K  
5/0204; H05K 7/00; F16M 13/02; F16M  
13/022; F16M 11/00; F16M 11/04; F16M  
11/041; F16M 11/06  
See application file for complete search history.

(56) **References Cited**  
U.S. PATENT DOCUMENTS  
D560,592 S \* 1/2008 Brassard ..... D12/415  
7,357,361 B2 \* 4/2008 Yen ..... F16M 11/105  
248/205.5  
D587,188 S \* 2/2009 Mo ..... D12/415

D588,903 S \* 3/2009 Carnevali ..... D8/355  
D619,586 S \* 7/2010 Richter ..... D14/447  
D619,587 S \* 7/2010 Richter ..... D14/447  
D638,008 S \* 5/2011 Richter ..... D14/253  
D645,462 S \* 9/2011 Choi ..... D14/253  
D664,952 S \* 8/2012 Richter ..... D14/253  
D713,398 S \* 9/2014 Alesi ..... D14/253  
D715,790 S \* 10/2014 Conomos ..... D14/253  
D718,295 S \* 11/2014 Fan ..... D14/251  
D842,850 S \* 3/2019 Tang ..... D14/253  
D860,189 S \* 9/2019 Gu ..... D14/253  
D867,355 S \* 11/2019 Chun ..... D14/253  
D867,357 S \* 11/2019 Yang ..... D14/253  
D870,093 S \* 12/2019 McSweyn ..... D14/253  
D873,813 S \* 1/2020 Zhong ..... D14/253

\* cited by examiner

*Primary Examiner* — Rebekah A Caruso  
(74) *Attorney, Agent, or Firm* — W&KIP

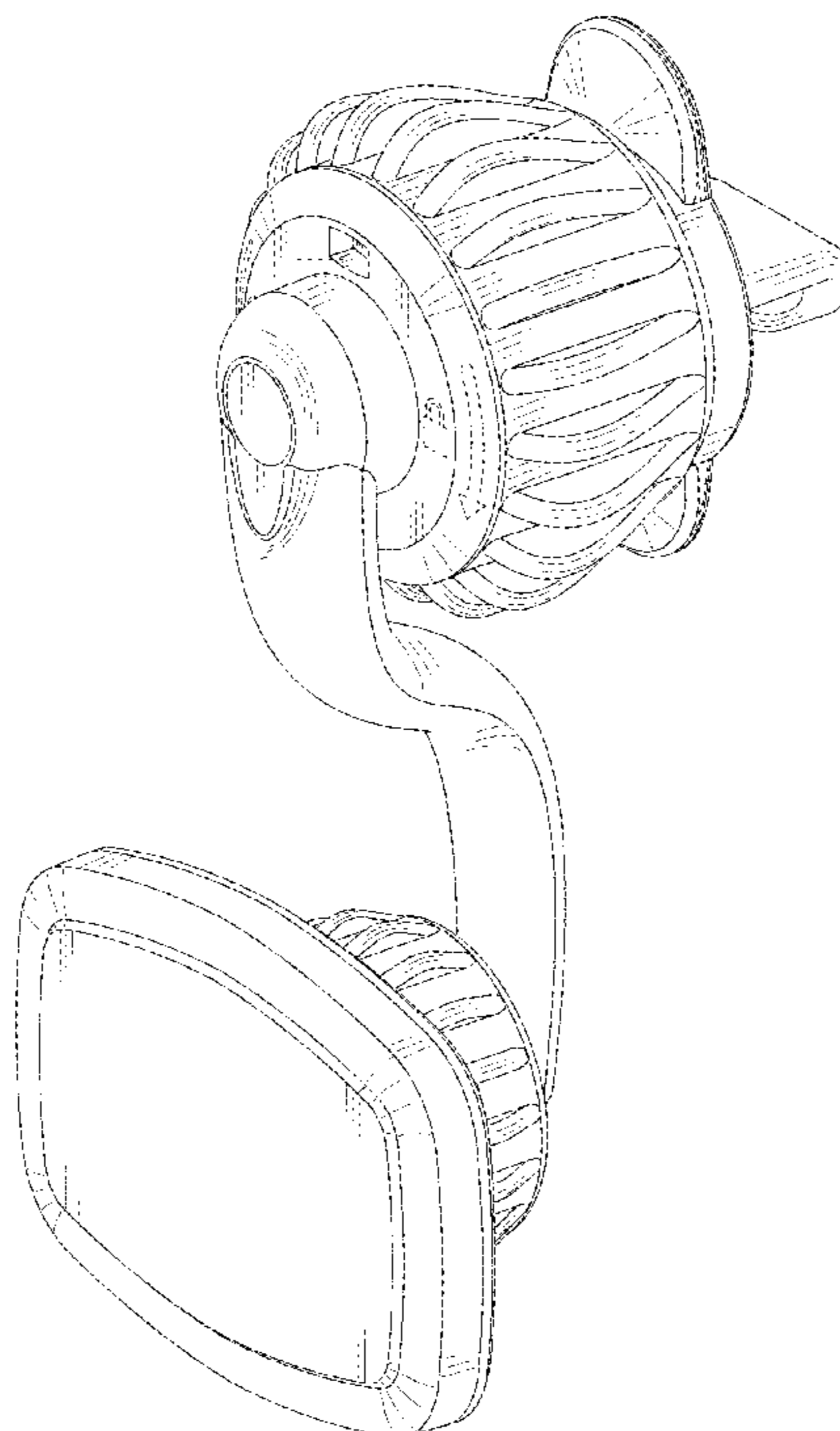
(57) **CLAIM**

The ornamental design for a car mobile phone holder, as shown and described.

**DESCRIPTION**

FIG. 1 is a perspective view of a car mobile phone holder; FIG. 2 is a front elevational view thereof; FIG. 3 is a rear elevational view thereof; FIG. 4 is a left elevational view thereof; FIG. 5 is a right elevational view thereof; FIG. 6 is a top plan view thereof; and, FIG. 7 is a bottom plan view thereof. The evenly broken lines where present illustrate portions of the car mobile phone holder that form no part of the claimed design.

**1 Claim, 7 Drawing Sheets**



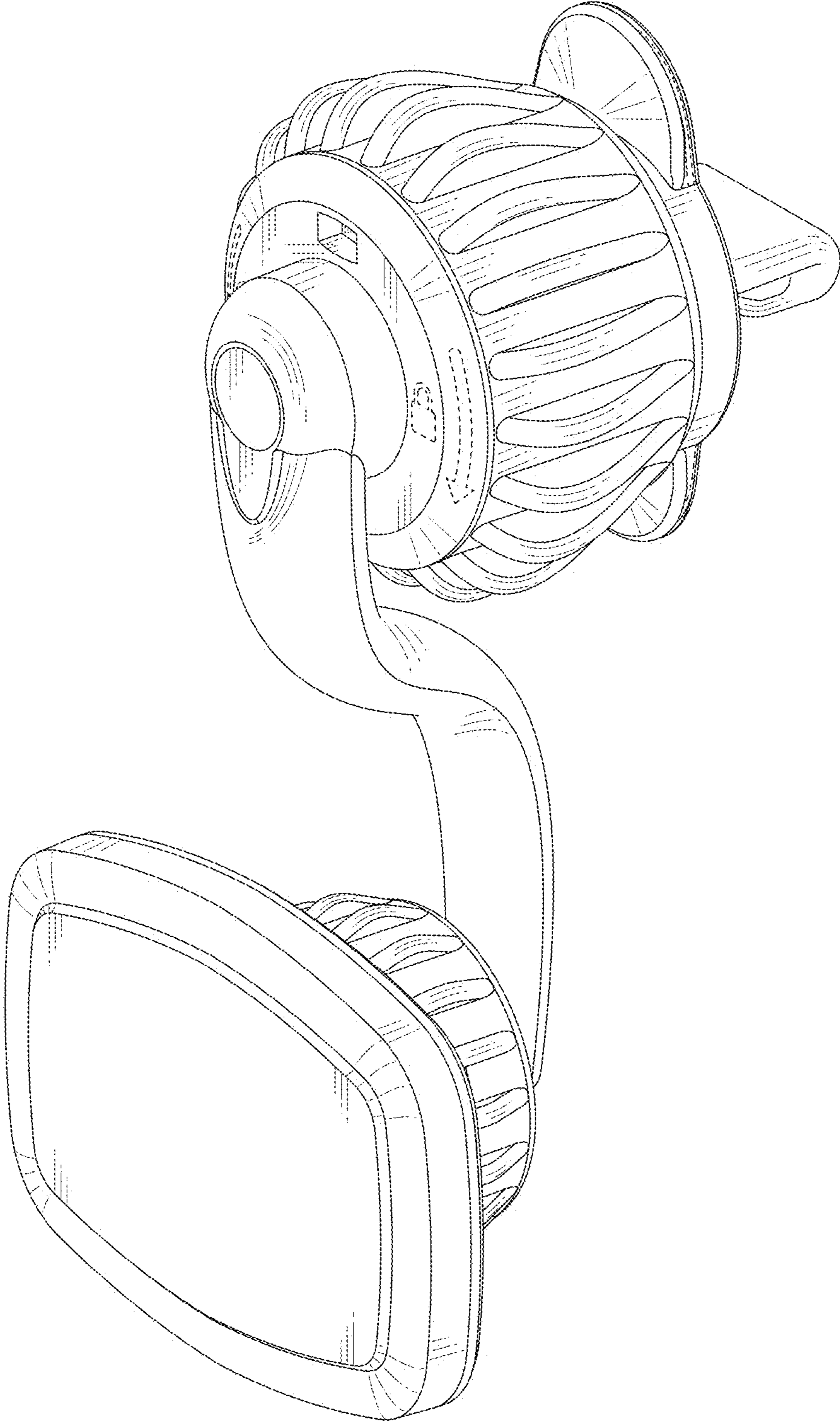


FIG.1

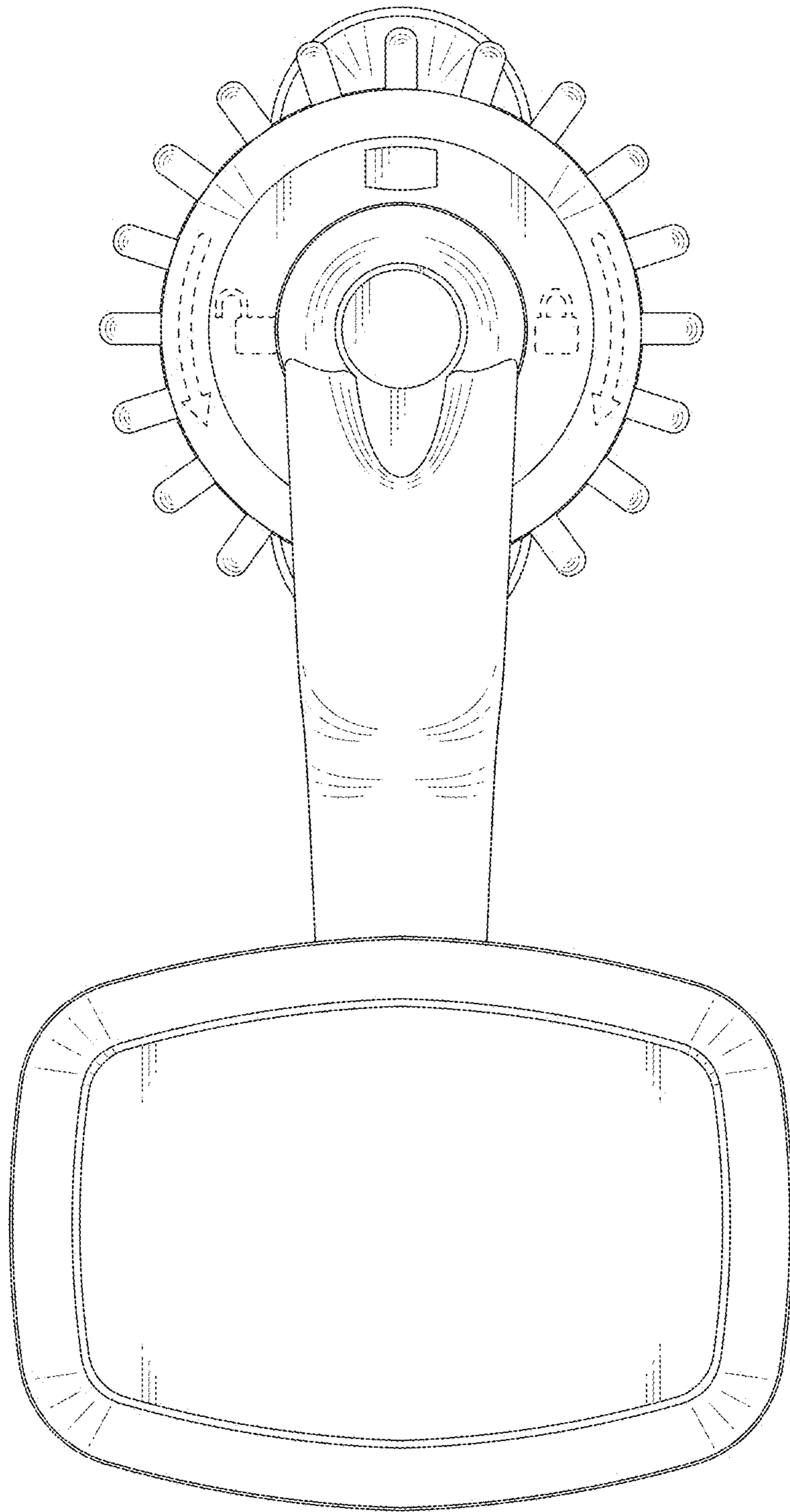


FIG.2

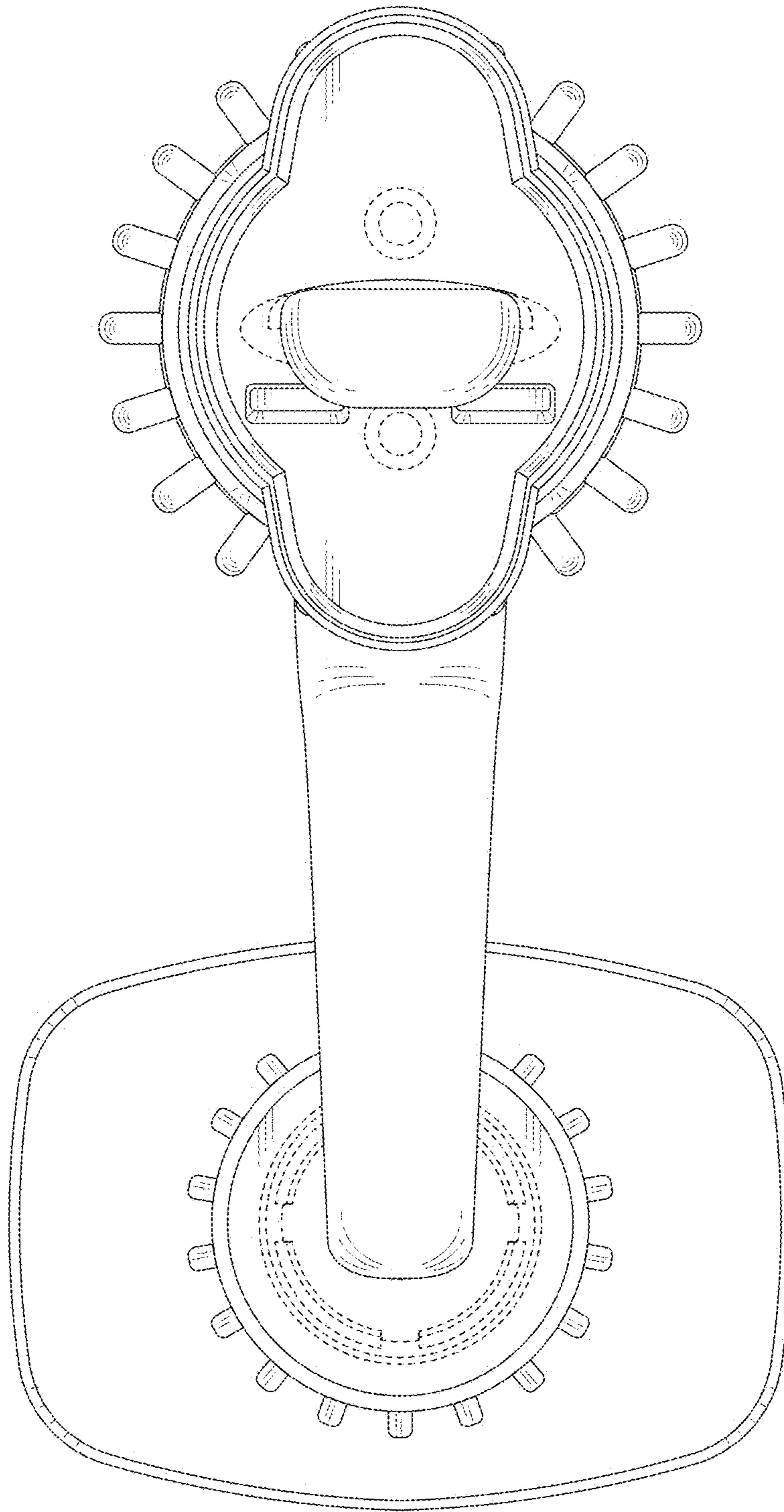


FIG.3

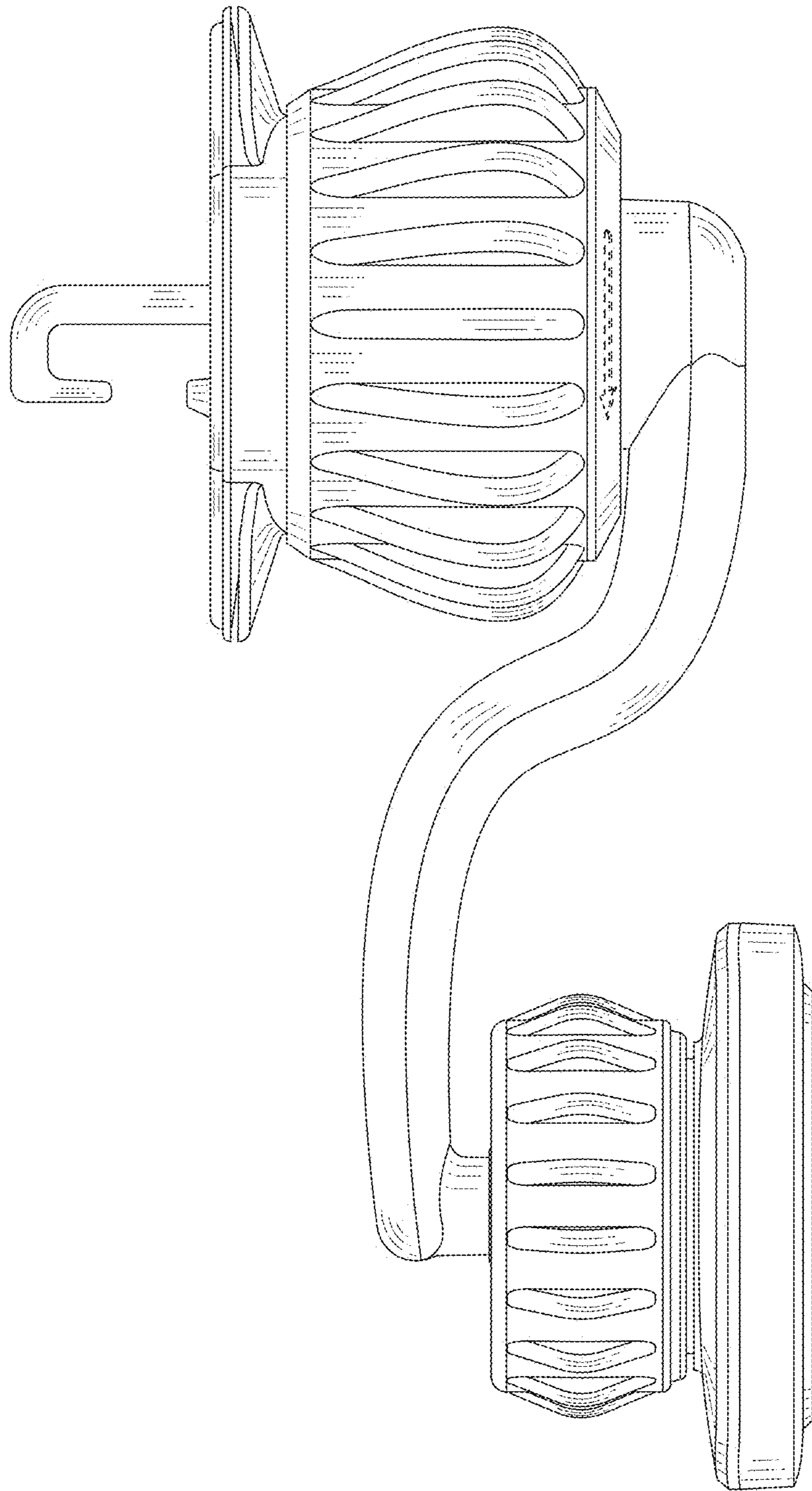


FIG.4

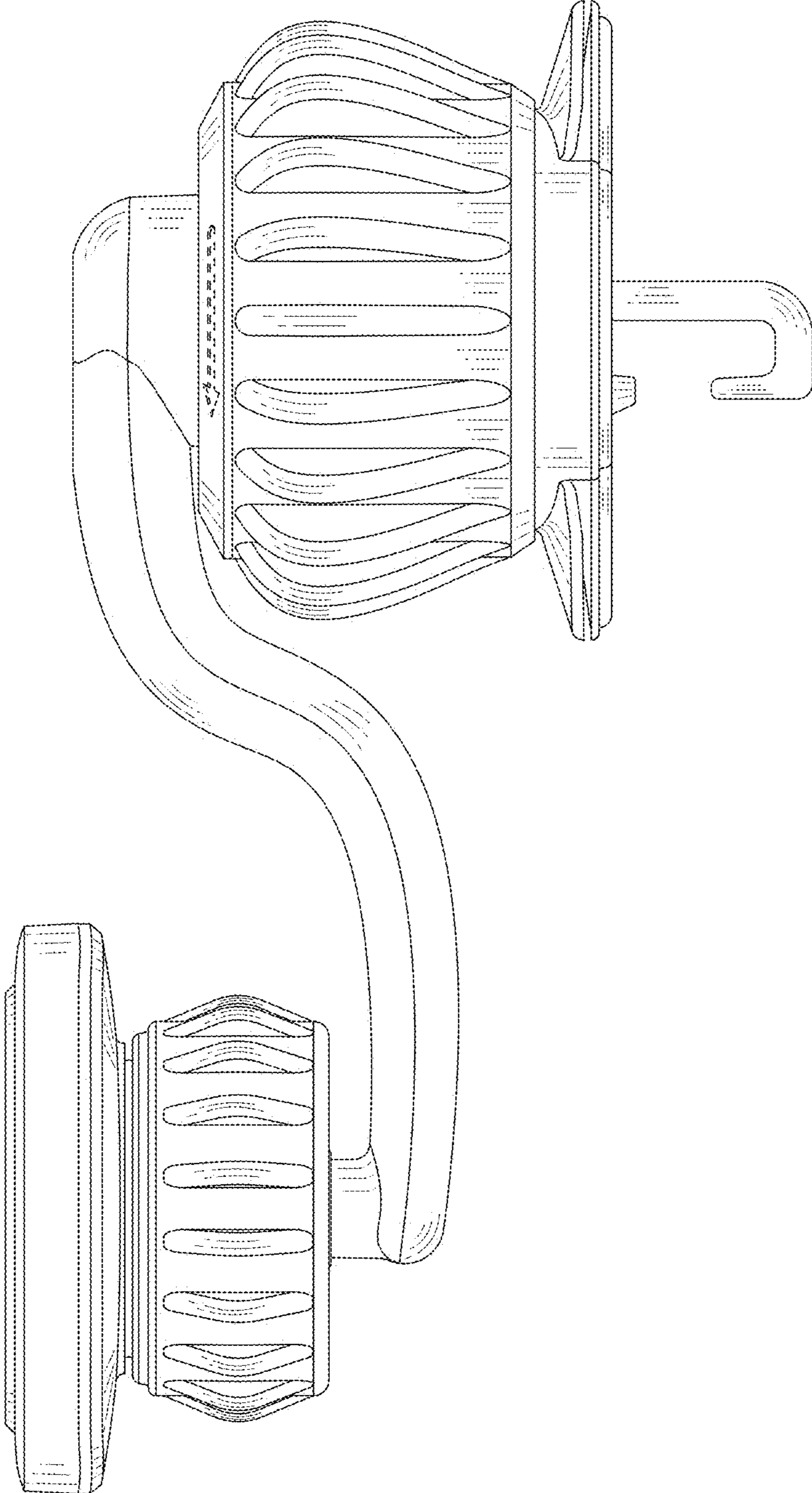


FIG.5

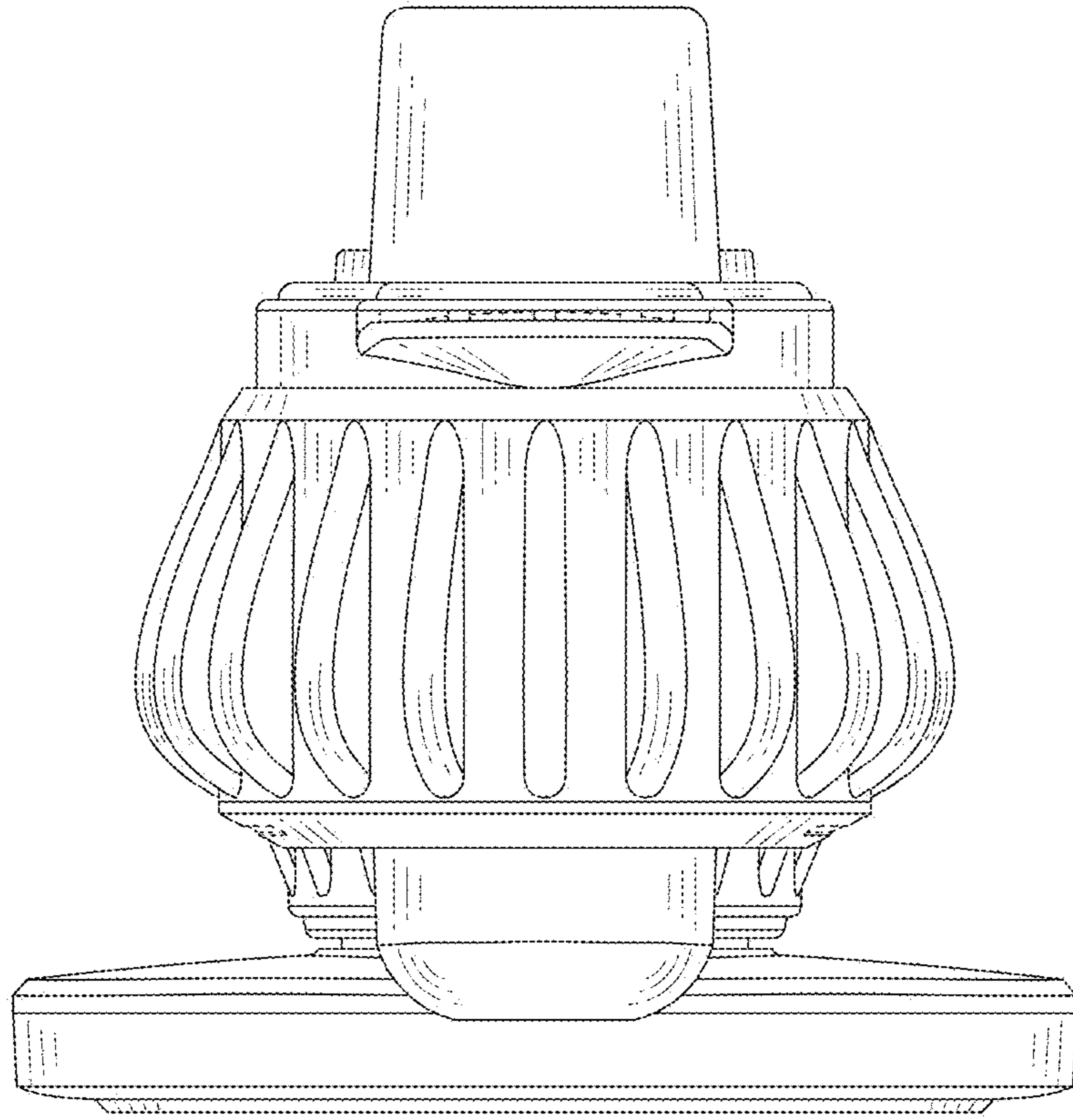


FIG.6

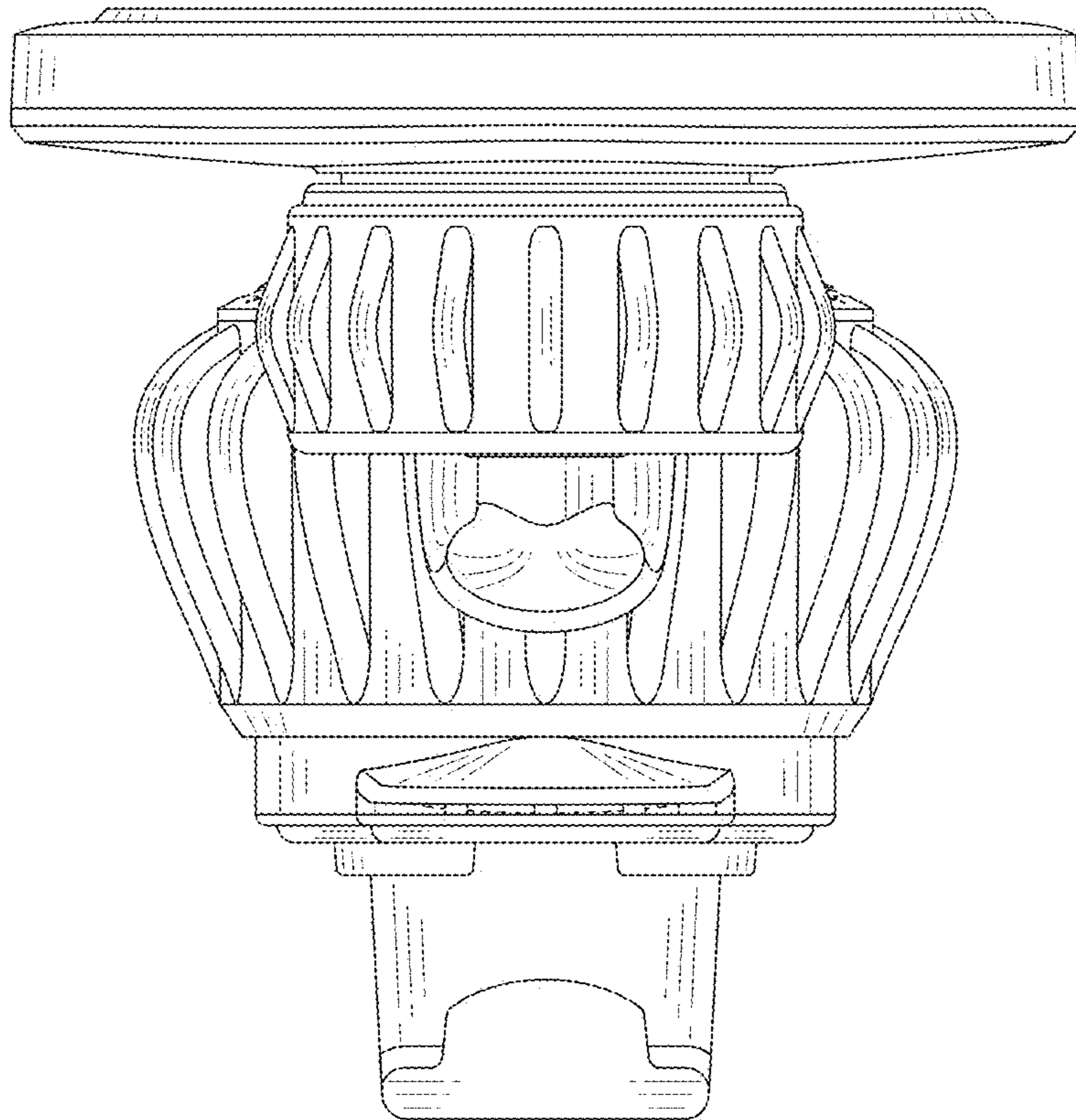


FIG.7