



US00D937819S

(12) **United States Design Patent** (10) **Patent No.:** **US D937,819 S**  
**Tan** (45) **Date of Patent:** **\*\* \*Dec. 7, 2021**

(54) **PROTECTIVE CASE FOR MOBILE PHONE**

(71) Applicant: **Feng-Qin Tan**, Anqing (CN)

(72) Inventor: **Feng-Qin Tan**, Anqing (CN)

(\* ) Notice: This patent is subject to a terminal disclaimer.

(\*\*) Term: **15 Years**

(21) Appl. No.: **29/655,536**

(22) Filed: **Jul. 4, 2018**

(30) **Foreign Application Priority Data**

Apr. 2, 2018 (CN) ..... 201830126949.5

(51) **LOC (13) Cl.** ..... **14-03**

(52) **U.S. Cl.**  
USPC ..... **D14/250**

(58) **Field of Classification Search**

USPC ..... D3/201, 218, 226, 227, 247, 249, 250,  
D3/269, 303; D13/103, 107, 108, 119;  
D14/137, 138 R, 138 AA, 138 C, 138 G,  
D14/172, 192, 203.3–203.7, 217, 238.1,  
D14/247, 248, 250–253, 434, 440, 447,  
D14/496

CPC H04B 1/3888; H04M 1/0283; H04M 1/0202;  
A45C 1/06; A45C 2011/002; A45C 11/00;  
A45F 2005/028; A45F 2200/0525

See application file for complete search history.

(56) **References Cited**

**U.S. PATENT DOCUMENTS**

D671,933 S \* 12/2012 Rodgers ..... D14/250  
D685,358 S \* 7/2013 Armstrong ..... D14/250  
D709,486 S \* 7/2014 Lin ..... D14/250  
D714,278 S \* 9/2014 Case ..... D14/250  
D726,170 S \* 4/2015 Ng ..... D14/250  
D745,866 S \* 12/2015 Adelman ..... D14/250  
D755,764 S \* 5/2016 Dong ..... D14/250  
D761,780 S \* 7/2016 Nguyen ..... D14/250

(Continued)

**OTHER PUBLICATIONS**

Braecn iPhone X honeycomb bumper case with built-in kickstand, publication date Jun. 19, 2018, [online] URL: <https://www.amazon.com/BRAECN-Full-body-Protection-Honeycomb-Yellow/dp/B07D7T2F55> (Year: 2018).\*

*Primary Examiner* — L. A. Grabenstetter

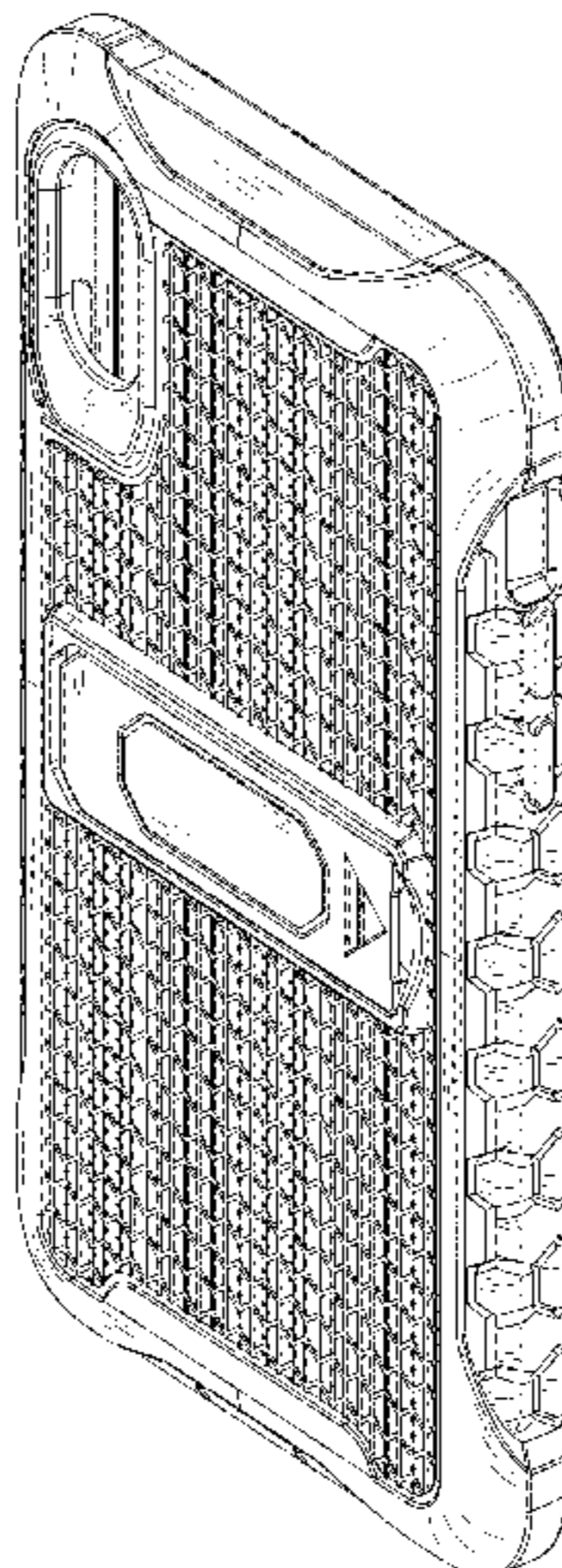
(57) **CLAIM**

The ornamental design for a protective case for mobile phone, as shown and described.

**DESCRIPTION**

FIG. 1 is a top, front perspective view of a protective case for mobile phone, showing my new design; FIG. 2 is a top, rear perspective view thereof; FIG. 3 is a front elevational view thereof; FIG. 4 is a rear elevational view thereof; FIG. 5 is a left side elevational view thereof; FIG. 6 is a right side elevational view thereof; FIG. 7 is a top plan view thereof; FIG. 8 is a bottom plan view thereof; FIG. 9 is a cross-sectional view thereof taken at line 9-9 in FIG. 3; FIG. 10 is a second top, rear perspective view shown in condition of use; and, FIG. 11 is an enlarged, partial cross-sectional view, taken from circle 11 in FIG. 9. The broken line depicting portions of the protective case for mobile phone show features of the article which form no part of the claimed design. The broken line and arrows found in FIG. 3 is included for the purpose of illustrating the source of the cross-sectional view, and forms no part of the claimed design. The dot-dash broken circles found in FIGS. 9 and 11 are included for the purpose of the illustrating the enlarged partial cross-sectional view in FIG. 11, and form no part of the claimed design.

**1 Claim, 11 Drawing Sheets**



(56)

**References Cited**

## U.S. PATENT DOCUMENTS

D763,853	S *	8/2016	Pearce	.....	D14/440
D769,855	S *	10/2016	Deng	.....	D14/250
D771,613	S *	11/2016	Poon	.....	D14/250
D772,211	S *	11/2016	Poon	.....	D14/250
D773,447	S *	12/2016	Taylor	.....	D14/250
D780,166	S *	2/2017	Lin	.....	D14/250
D787,497	S *	5/2017	Friedland	.....	D14/250
D791,759	S *	7/2017	Lin	.....	D14/250
D791,773	S *	7/2017	Moore	.....	D14/440
D802,576	S *	11/2017	Ahn	.....	D14/250
D806,082	S *	12/2017	Armstrong	.....	D14/440
D806,692	S *	1/2018	Jia	.....	D14/250
D816,654	S *	5/2018	Chen	.....	D14/250
D819,622	S *	6/2018	Wright	.....	D14/250
D820,246	S *	6/2018	Li	.....	D14/250
D839,259	S *	1/2019	Ahn	.....	D14/250
D850,451	S *	6/2019	Chen	.....	D14/440
D861,659	S *	10/2019	Hyun	.....	D14/250
D861,661	S *	10/2019	Kim	.....	D14/250
D862,449	S *	10/2019	Jung	.....	D14/250
D863,286	S *	10/2019	Hong	.....	D14/250
2011/0031287	A1 *	2/2011	Le Gette	.....	F16M 11/04 224/101
2015/0207911	A1 *	7/2015	Lin	.....	H04M 1/035 455/569.1
2016/0219999	A1 *	8/2016	Chang	.....	A45C 13/36
2017/0135454	A1 *	5/2017	Poon	.....	A45C 11/00

\* cited by examiner

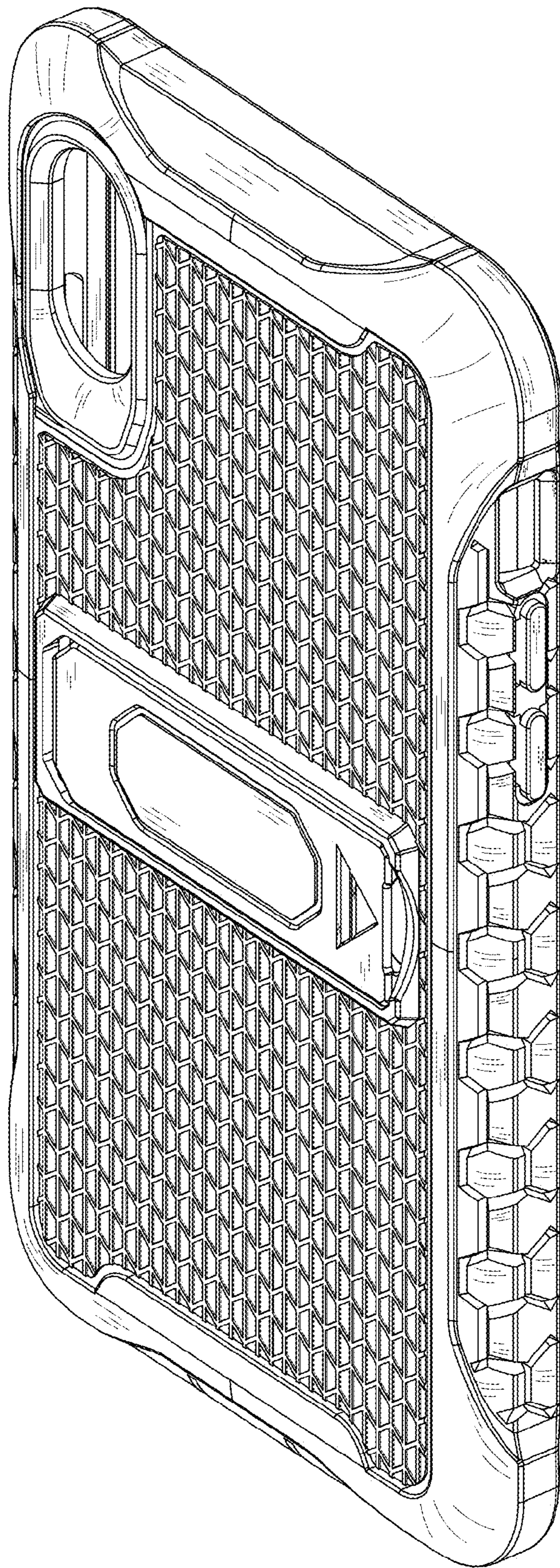


FIG. 1

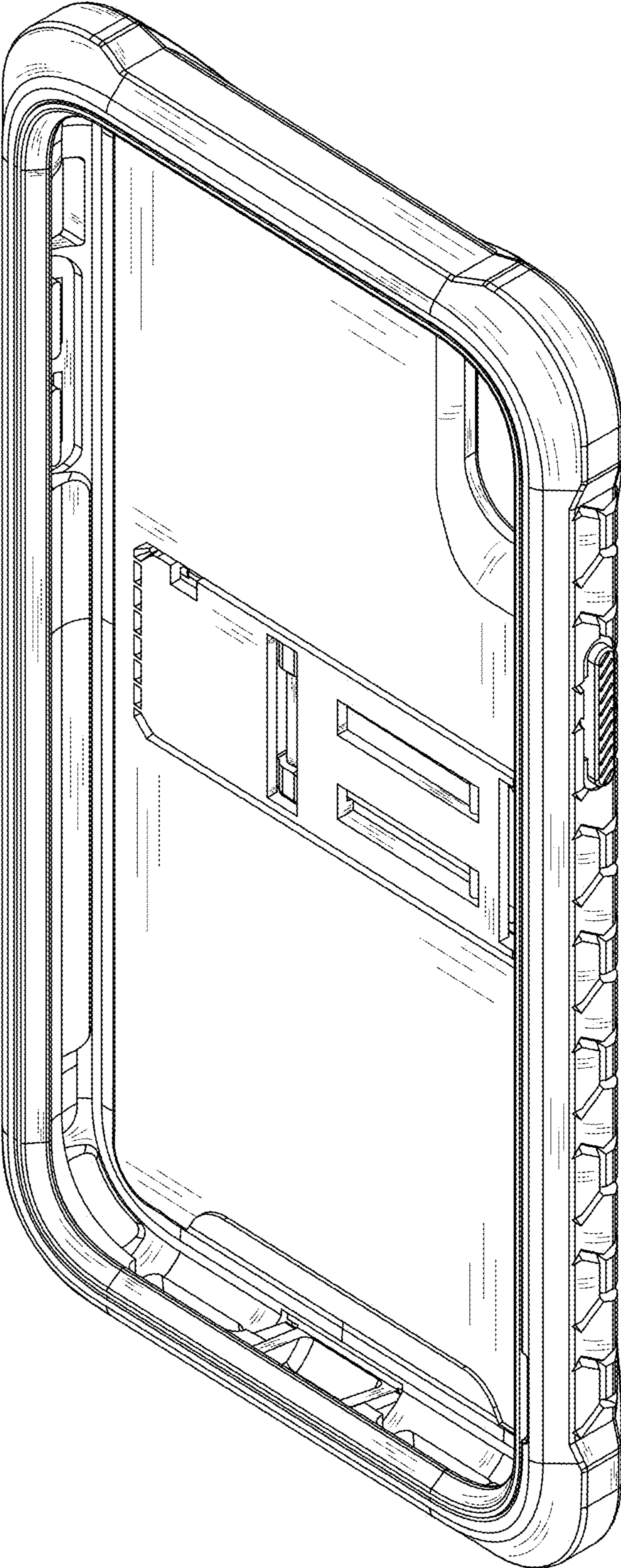


FIG. 2

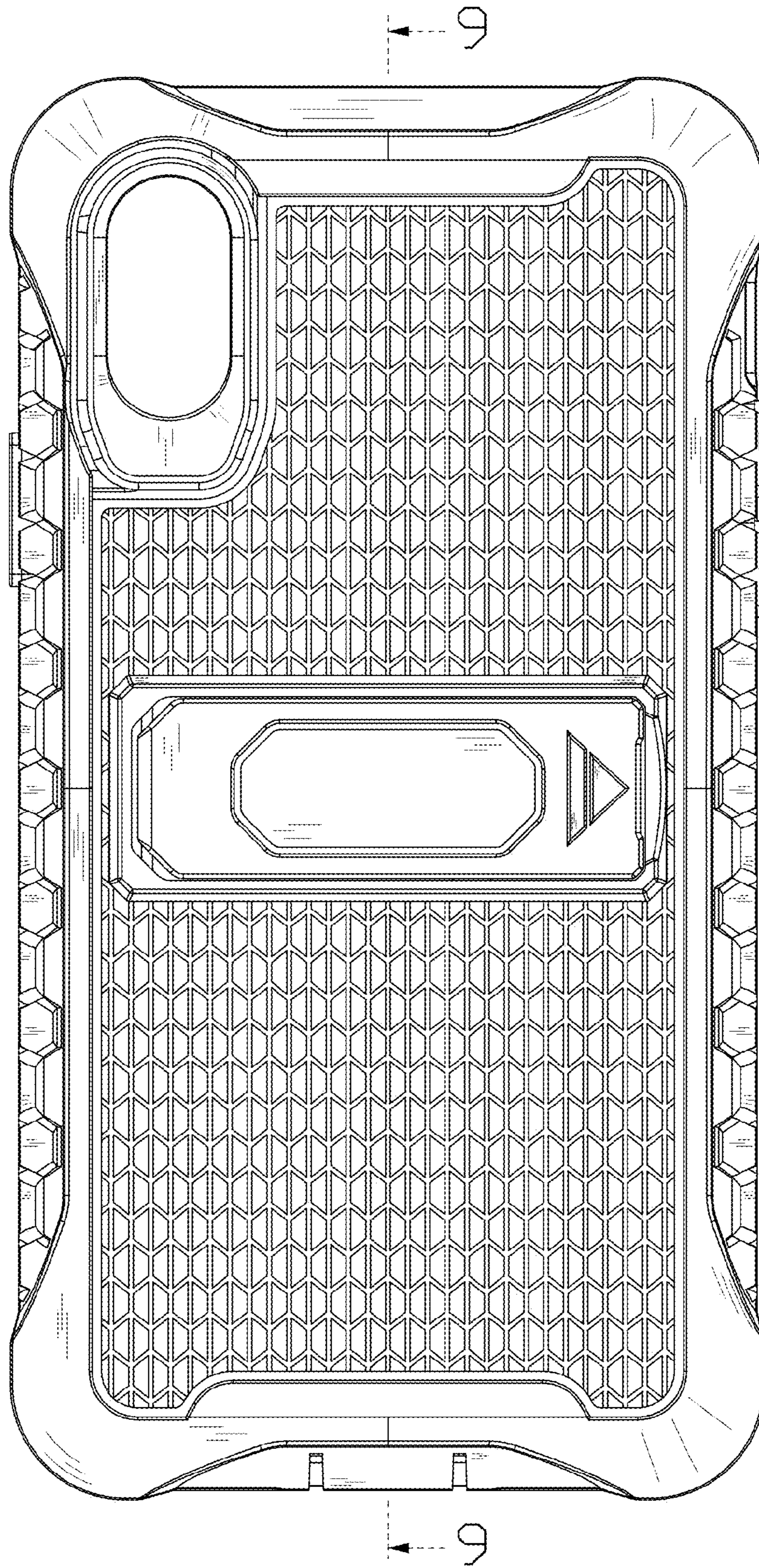


FIG. 3

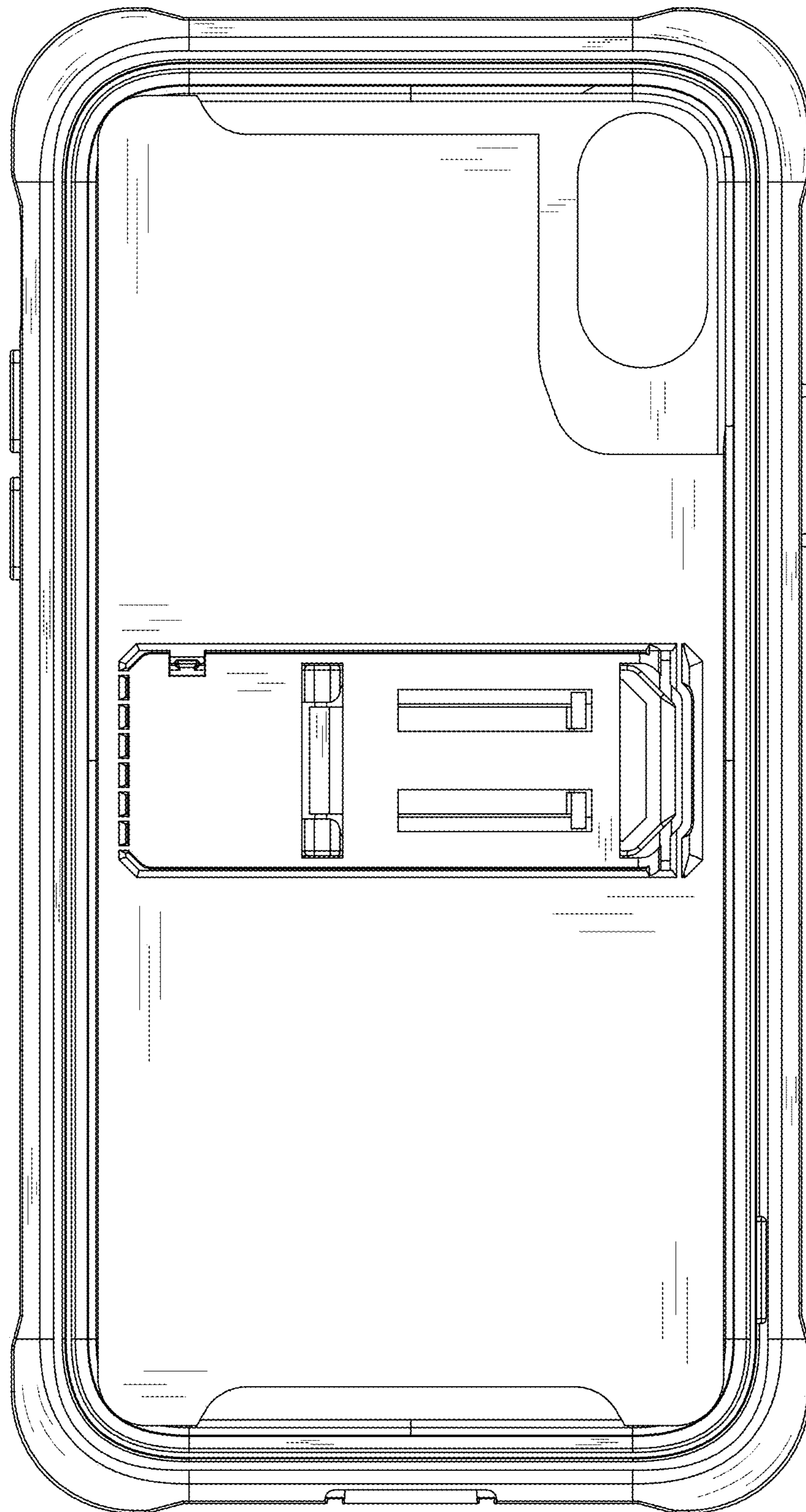


FIG. 4

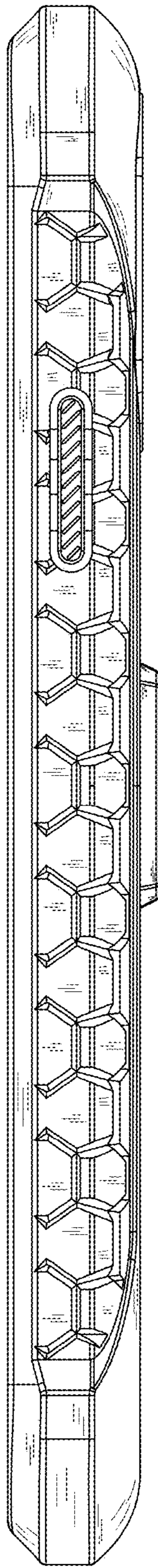


FIG. 5

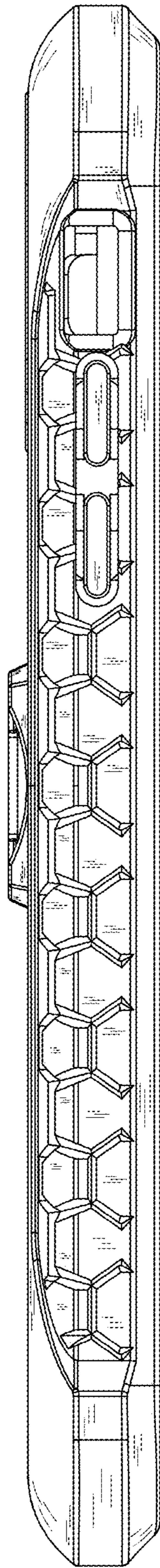


FIG. 6





FIG. 7

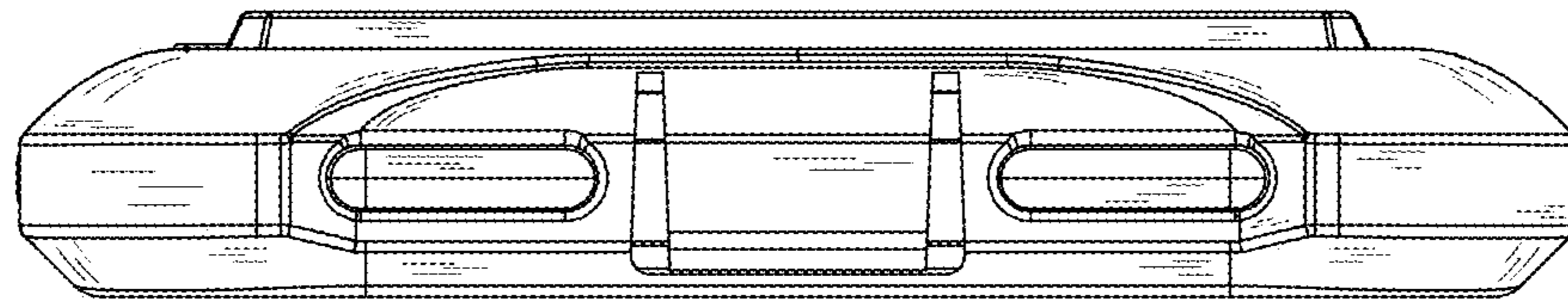


FIG. 8

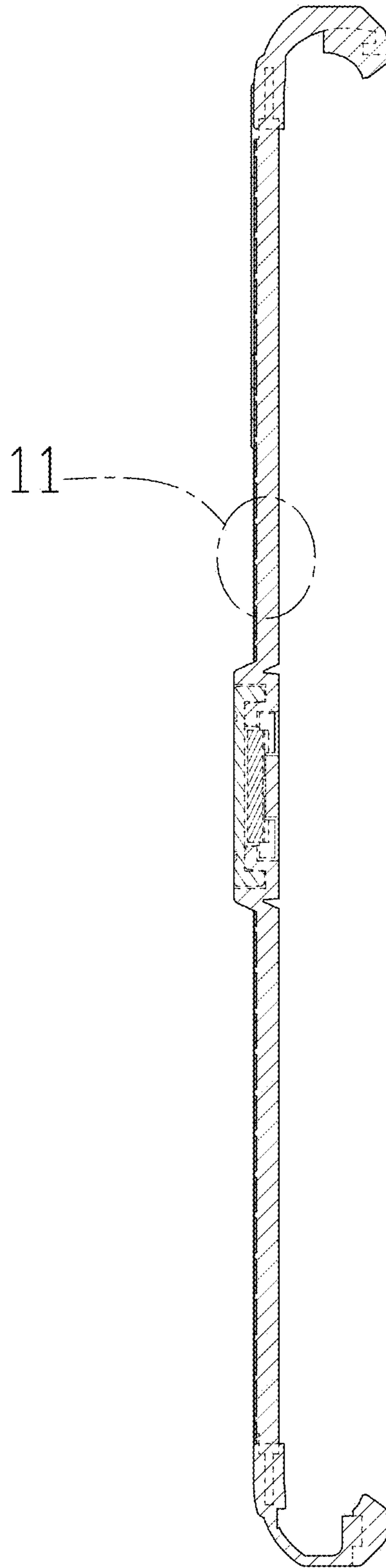


FIG. 9

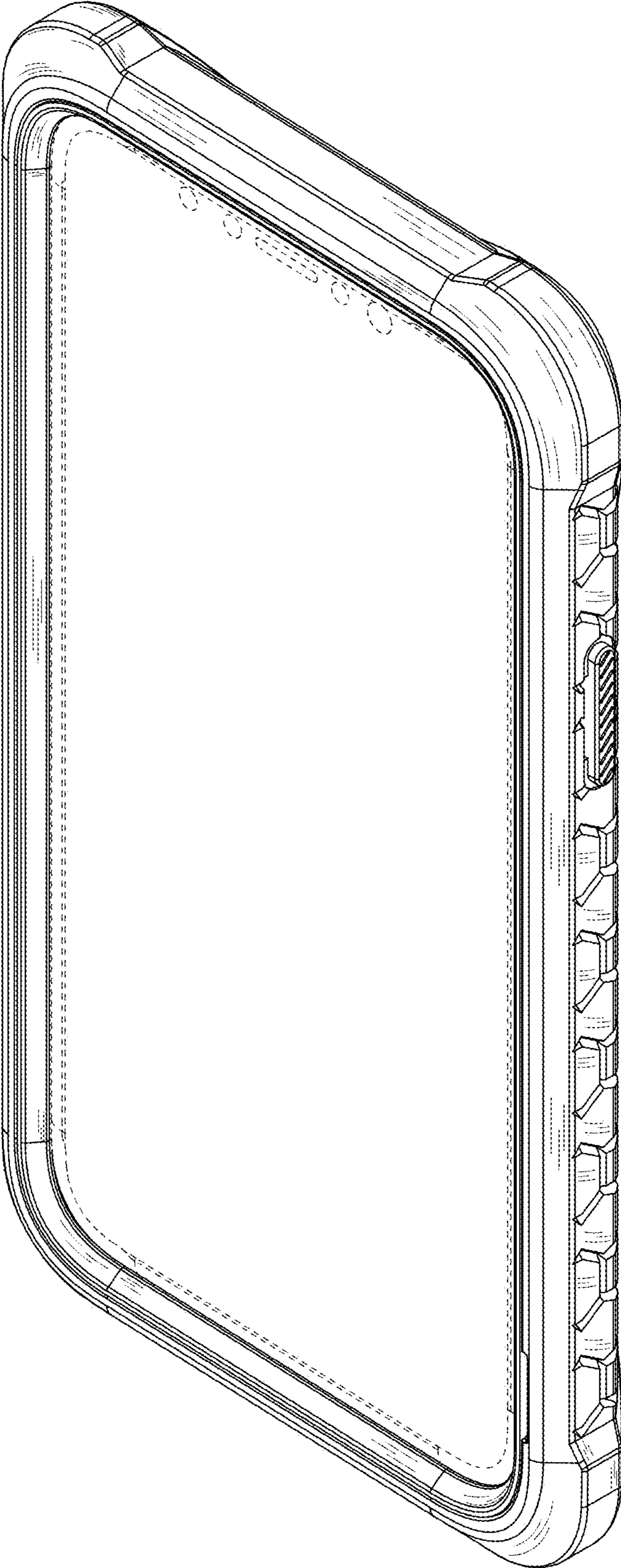


FIG. 10

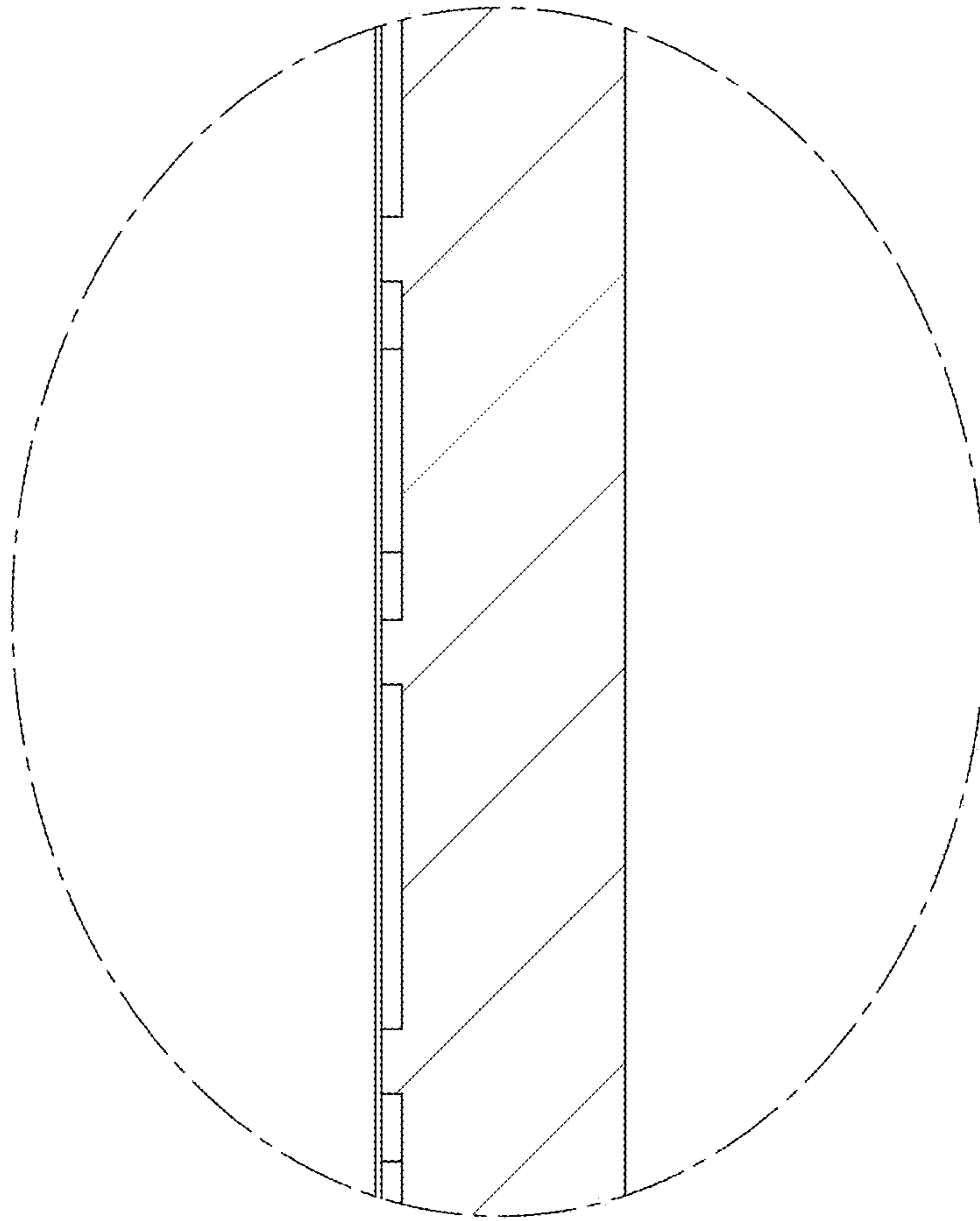


FIG. 11