



US00D937815S

(12) **United States Design Patent** (10) **Patent No.:** **US D937,815 S**
Olsson et al. (45) **Date of Patent:** **** Dec. 7, 2021**

(54) **ELECTRONIC DEVICE**

D719,138 S * 12/2014 Schwartz D14/216
D725,632 S 3/2015 Zhao
D731,334 S 6/2015 Fiedler et al.

(71) Applicant: **GOOGLE LLC**, Mountain View, CA (US)

(Continued)

(72) Inventors: **Maj Isabelle Olsson**, Mountain View, CA (US); **Thao Dang**, Mountain View, CA (US); **Livius Dumitru Chebeleu**, Mountain View, CA (US); **Katherine Morgenroth**, Mountain View, CA (US); **Willy Carteau**, Mountain View, CA (US)

FOREIGN PATENT DOCUMENTS

CN 304723207 * 7/2018
CN 304762927 8/2018

(Continued)

(73) Assignee: **GOOGLE LLC**, Mountain View, CA (US)

OTHER PUBLICATIONS

Meshforce M7, Date First Available: Oct. 22, 2020, [online], [retrieved on Jan. 7, 2021]. Retrieved from Internet ,<URL: https://www.amazon.com/Meshforce-Tri-Band-Seamless-Performance-Wireless/dp/B08LNN5372/ref=sr_1_19?>.*

(Continued)

(**) Term: **15 Years**

Primary Examiner — Bridget L Eland

(21) Appl. No.: **29/706,536**

(74) *Attorney, Agent, or Firm* — Leason Ellis LLP

(22) Filed: **Sep. 20, 2019**

(51) **LOC (13) Cl.** **14-03**

(57) **CLAIM**

(52) **U.S. Cl.**
USPC **D14/242**

The ornamental design for an electronic device, as shown and described.

(58) **Field of Classification Search**
USPC D14/240, 242, 357, 358, 140-140.9, 155, D14/125, 137, 139, 243, 348, 349, 351, D14/354, 355
CPC H04L 12/00; H03K 17/00; H04W 88/00; H04W 88/005; H04W 88/02; H04W 88/08; H04W 88/085; H04W 88/10; H04W 88/12; H04W 88/14; H04B 1/38
See application file for complete search history.

DESCRIPTION

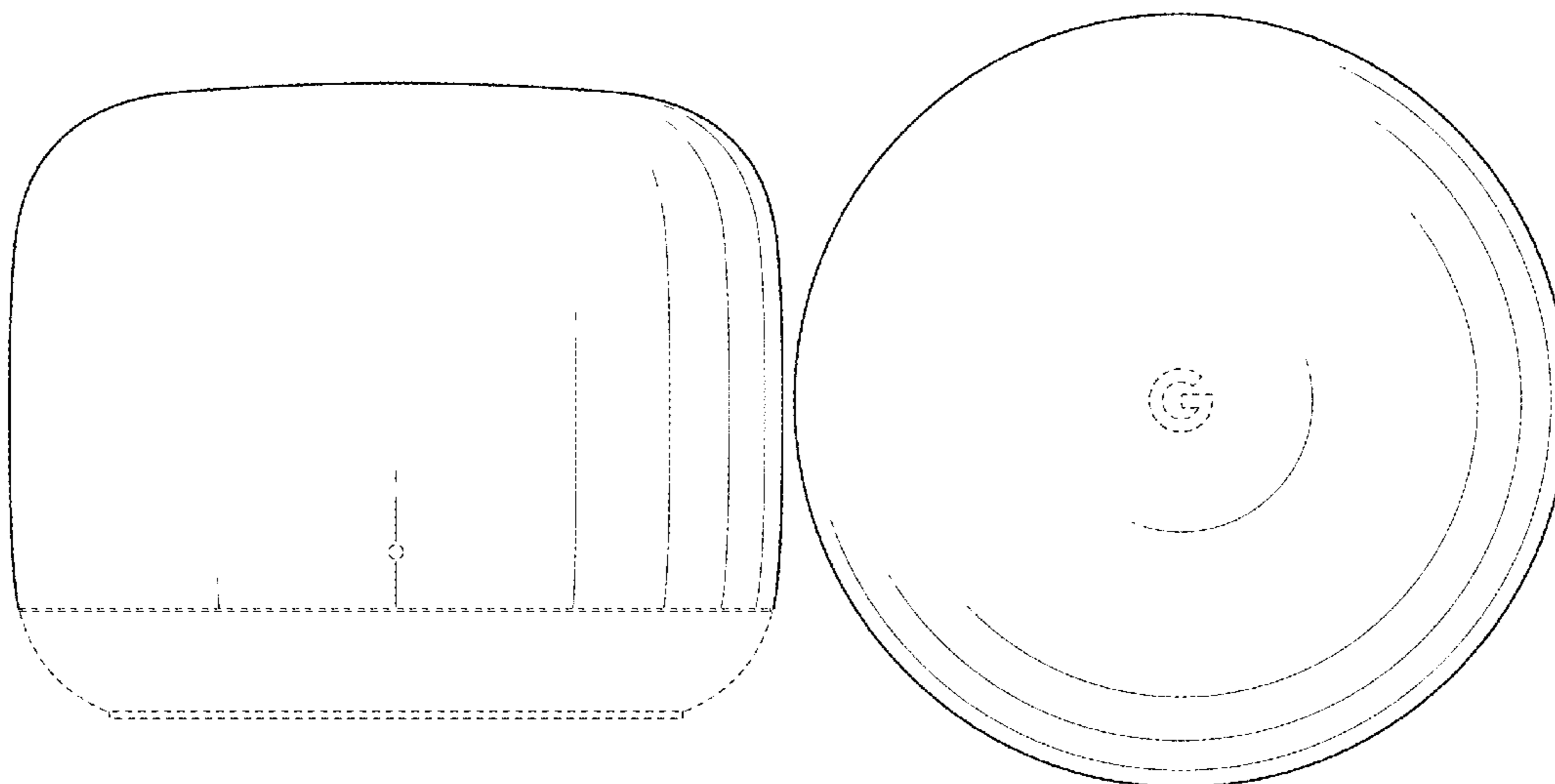
FIG. 1 is a top perspective view of an electronic device showing our new design;
FIG. 2 is a front elevational view thereof;
FIG. 3 is a rear elevational view thereof;
FIG. 4 is a left-side elevational view thereof;
FIG. 5 is a right-side elevational view thereof;
FIG. 6 is a top plan view thereof;
FIG. 7 is a bottom plan view thereof; and,
FIG. 8 is a bottom perspective view thereof.
The broken lines immediately adjacent the shaded areas represent the bounds of the claimed design while all other broken lines are directed to unclaimed portions and are for illustrative purposes only; the broken lines form no part of the claimed design.

(56) **References Cited**

U.S. PATENT DOCUMENTS

D335,683 S * 5/1993 Smith 347/88
D488,166 S 4/2004 Daniels
D494,633 S 8/2004 Nussberger et al.
D632,265 S 2/2011 Choi et al.
D636,760 S 4/2011 Cheng
D687,009 S * 7/2013 Song D14/155

1 Claim, 5 Drawing Sheets



(56)

References Cited

FOREIGN PATENT DOCUMENTS

U.S. PATENT DOCUMENTS

D733,107 S * 6/2015 Porter D14/240
 D742,359 S * 11/2015 Zhao D14/216
 D743,954 S * 11/2015 Chuang D14/240
 9,197,951 B1 11/2015 Yang et al.
 D746,869 S 1/2016 Akana et al.
 D751,538 S * 3/2016 Koehler D14/240
 D752,807 S 3/2016 Young et al.
 D753,279 S 4/2016 Li
 D763,210 S * 8/2016 Park D14/125
 D781,798 S * 3/2017 Klepper D14/125
 D783,609 S * 4/2017 Mikelson D14/356
 D792,468 S * 7/2017 Langhammer D14/496
 D797,087 S * 9/2017 Burton D14/242
 D806,709 S * 1/2018 Gummalla D14/358
 D816,994 S 5/2018 Fischer et al.
 D820,318 S * 6/2018 Mullins D14/496
 D826,738 S * 8/2018 Liao D10/52
 D829,112 S 9/2018 Dumont et al.
 D829,259 S 9/2018 Persson et al.
 D831,595 S * 10/2018 Mittleman D13/183
 D849,704 S * 5/2019 Kim D14/137
 D852,229 S * 6/2019 Akana D14/496
 D856,501 S 8/2019 Netkin
 D859,364 S 9/2019 Chalabi et al.
 D862,671 S 10/2019 Zhou
 D863,356 S * 10/2019 Akana D14/496
 D870,896 S 12/2019 Komaki et al.
 D871,372 S 12/2019 Wang et al.
 D879,151 S * 3/2020 Akana D14/496
 D883,329 S 5/2020 Shi et al.
 D897,876 S * 10/2020 Jacob D10/106.95
 D900,812 S * 11/2020 Friedman D14/357
 D901,694 S * 11/2020 Mendoza D24/185
 D912,032 S * 3/2021 He D14/242
 D914,662 S * 3/2021 Unter Ecker D14/240
 D922,366 S * 6/2021 Graham D14/240
 2021/0100065 A1 * 4/2021 Lee H04B 1/3888

EM 007755251-0001 * 12/2020
 EM 007755251-0002 * 12/2020
 EM 007755251-0003 * 12/2020
 EM 007755251-0004 * 12/2020
 EM 007755251-0005 * 12/2020
 EM 007755251-0006 * 12/2020
 EM 007755251-0007 * 12/2020
 EM 007755251-0008 * 12/2020
 EM 007755251-0009 * 12/2020
 EM 007755251-0010 * 12/2020
 EM 007755251-0011 * 12/2020
 EM 007755251-0012 * 12/2020
 JP D1614257 9/2018
 KR 300966226.0000 7/2018

OTHER PUBLICATIONS

Goggle Nest, Date First Available: Nov. 7, 2019, [online], [retrieved on Jan. 7, 2021]. Retrieved from Internet ,<URL: https://www.amazon.com/dp/B0815V2T58/ref=sspa_dk_detail_4?psc=1&pd_rd_i=B0815V2T58&pd_rd_w=NTypq&pf_rd_p=7d37a48b-2b1a-4373-8c1abdcc5da66be9&pd_rd_wg=wi8QZ&pf_rd_r=TH8CRWAVBTWJCN8KM9R3&pd_rd_r=8bbae2fbdef9-42e5-94f1-58cafcbaec22&spLa=ZW5jcmlwdGVkUXVhbGlmaWVyPUEwM0EzWjg0RIIxSUhSJMvUy3J5cHRIZEIkPUEwNzc2Mzg0OFIEQIBZRlcwOUwxJmVuY3J5cHRIZEFkSWQ9QTA3Mzl3MzkzSTc4NVJRN1RRUVVSJndpZGdlde5hbWU9c3BfZGV0YWIsJmFjdGlvbj1jbGlja1JIZGIyZWNOJmRvTm90TG9nQ2xpY2s9dHJ1ZQ==>.*
 Non Final Office Action in U.S. Appl. No. 29/706,542 dated Nov. 3, 2020, 45 pages.
 Bluetooth Speaker, Tonsmart, amazon.com, published by Tronsmart on Jul. 21, 2020 © 1996-2020 Amazon.com, Inc., online, site visited Sep. 28, 2020. Available from Internet, URL: https://www.amazon.co.uk/Bluetooth-Tronsmart-Powerful-Waterproof-Microphone/dp/B08DCVF2RX/ref=se_1_21?dchild=1&keywords... (Year: 2020).

* cited by examiner

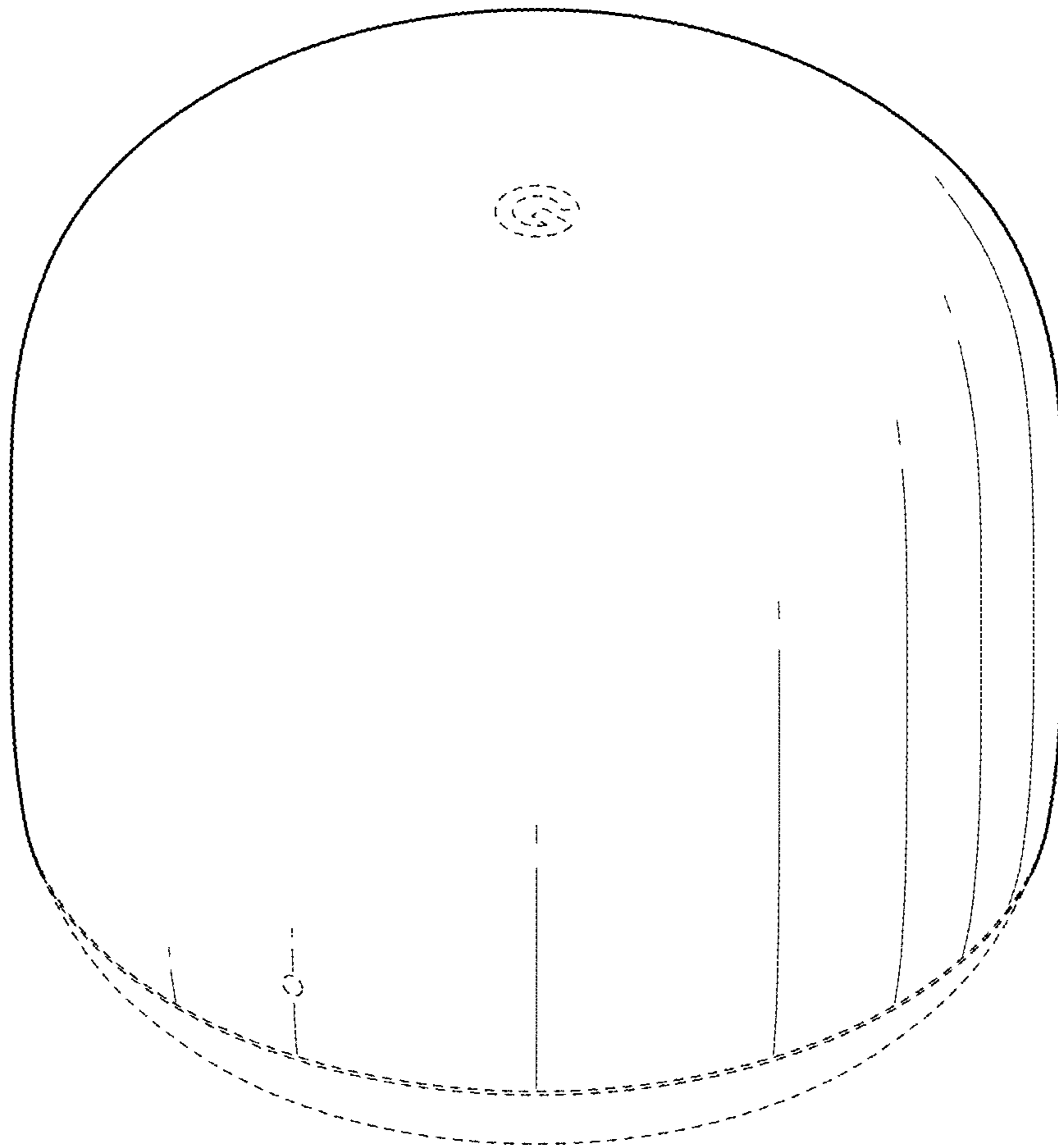


FIG. 1

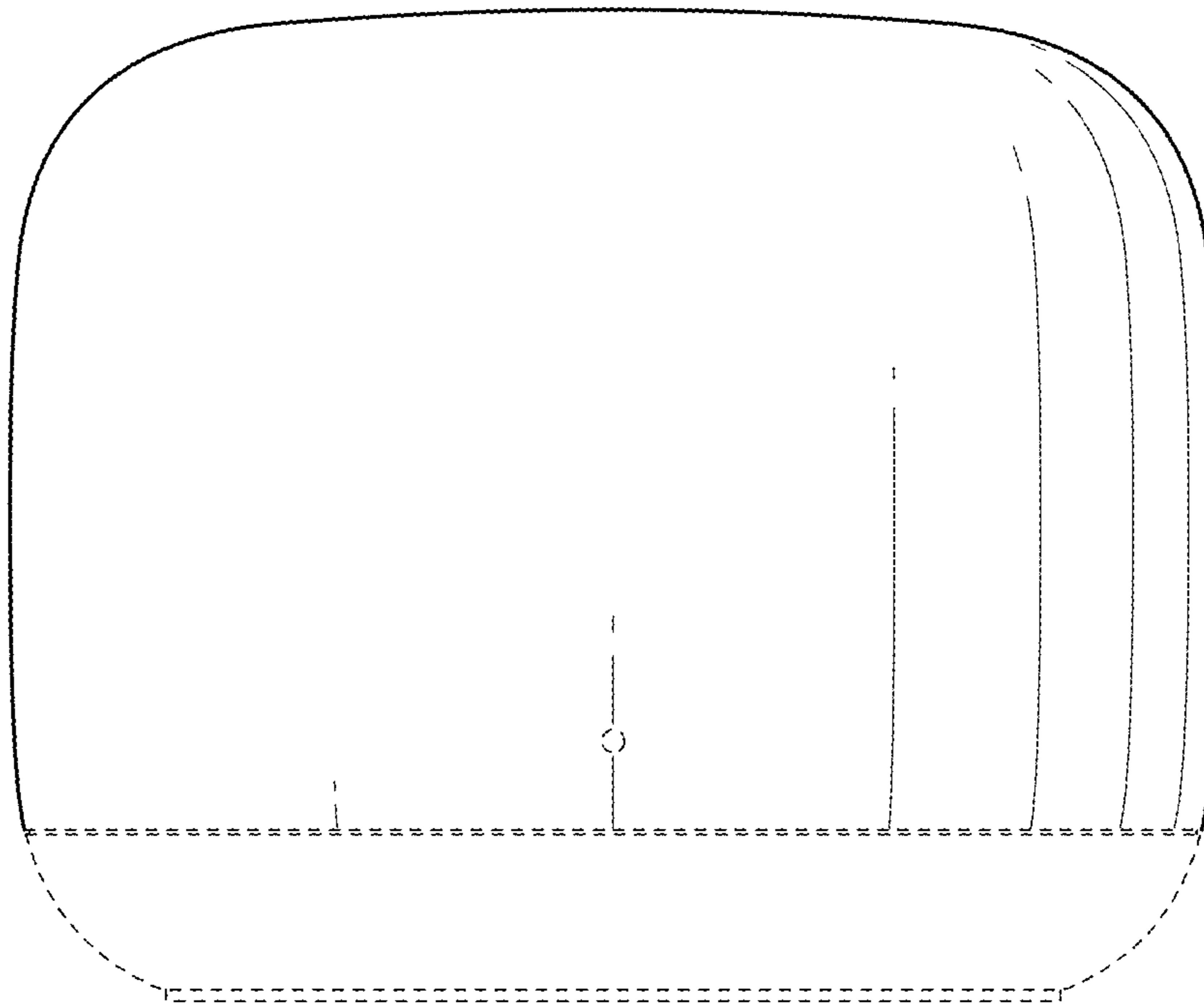


FIG. 2

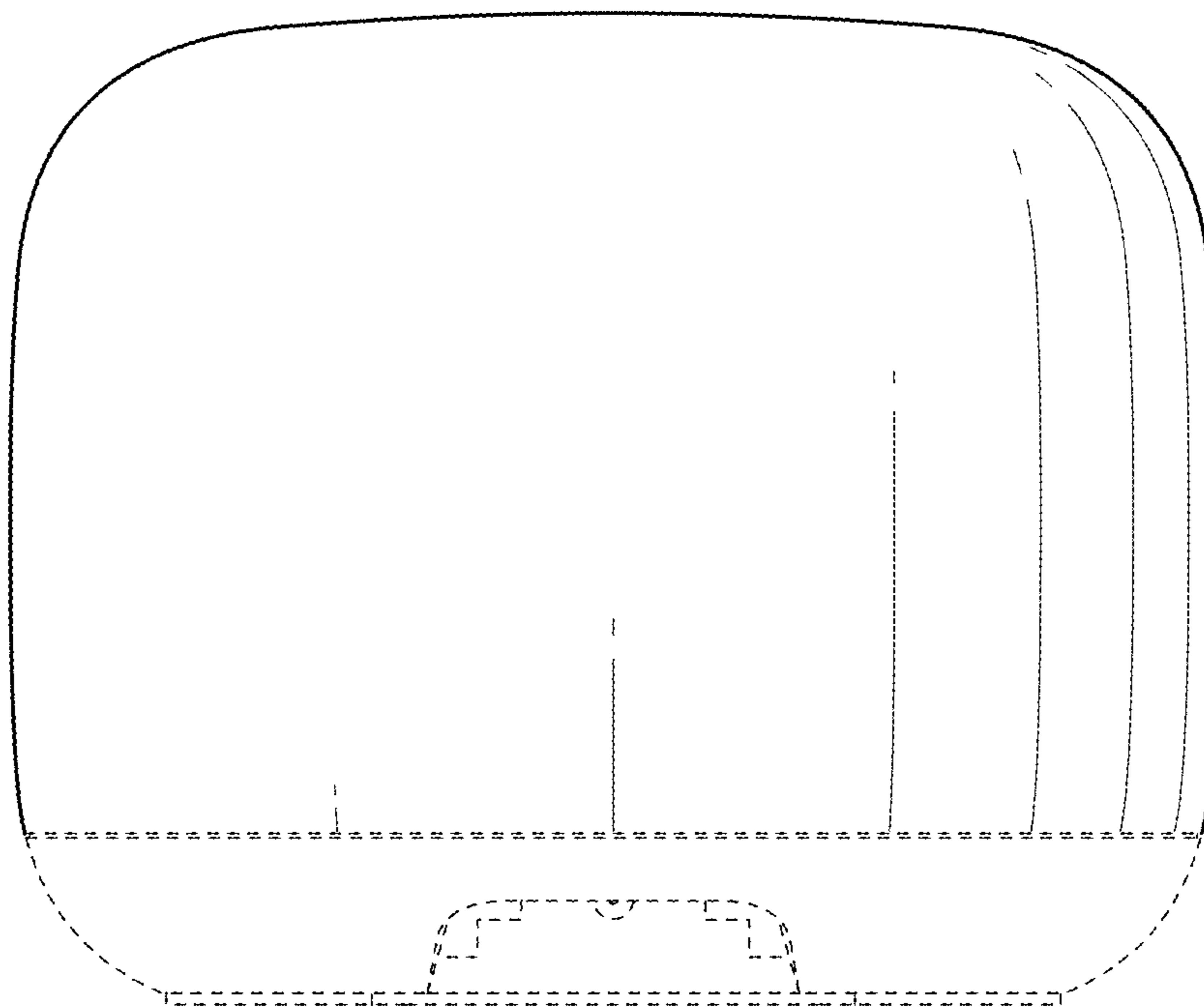


FIG. 3

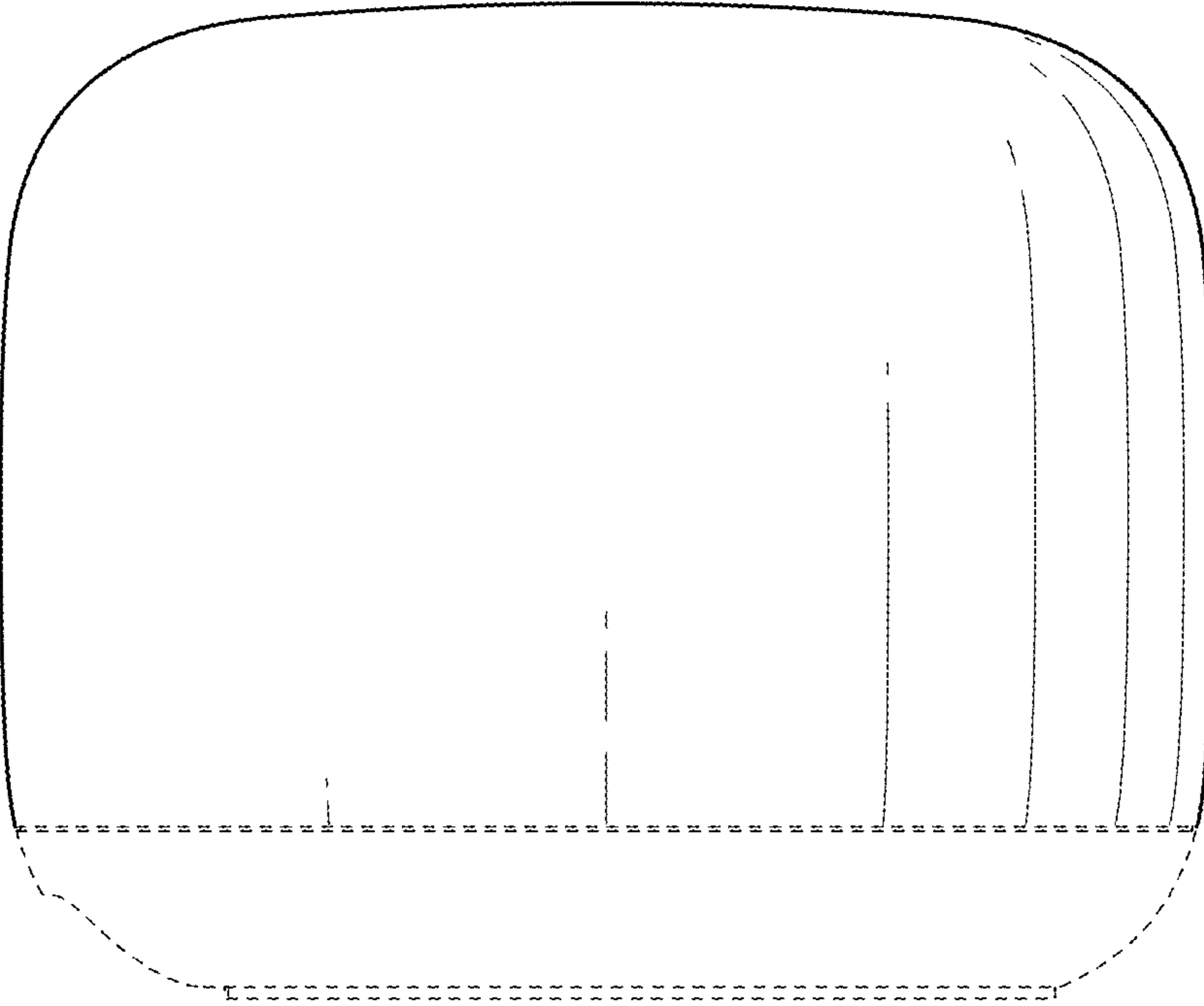


FIG. 4

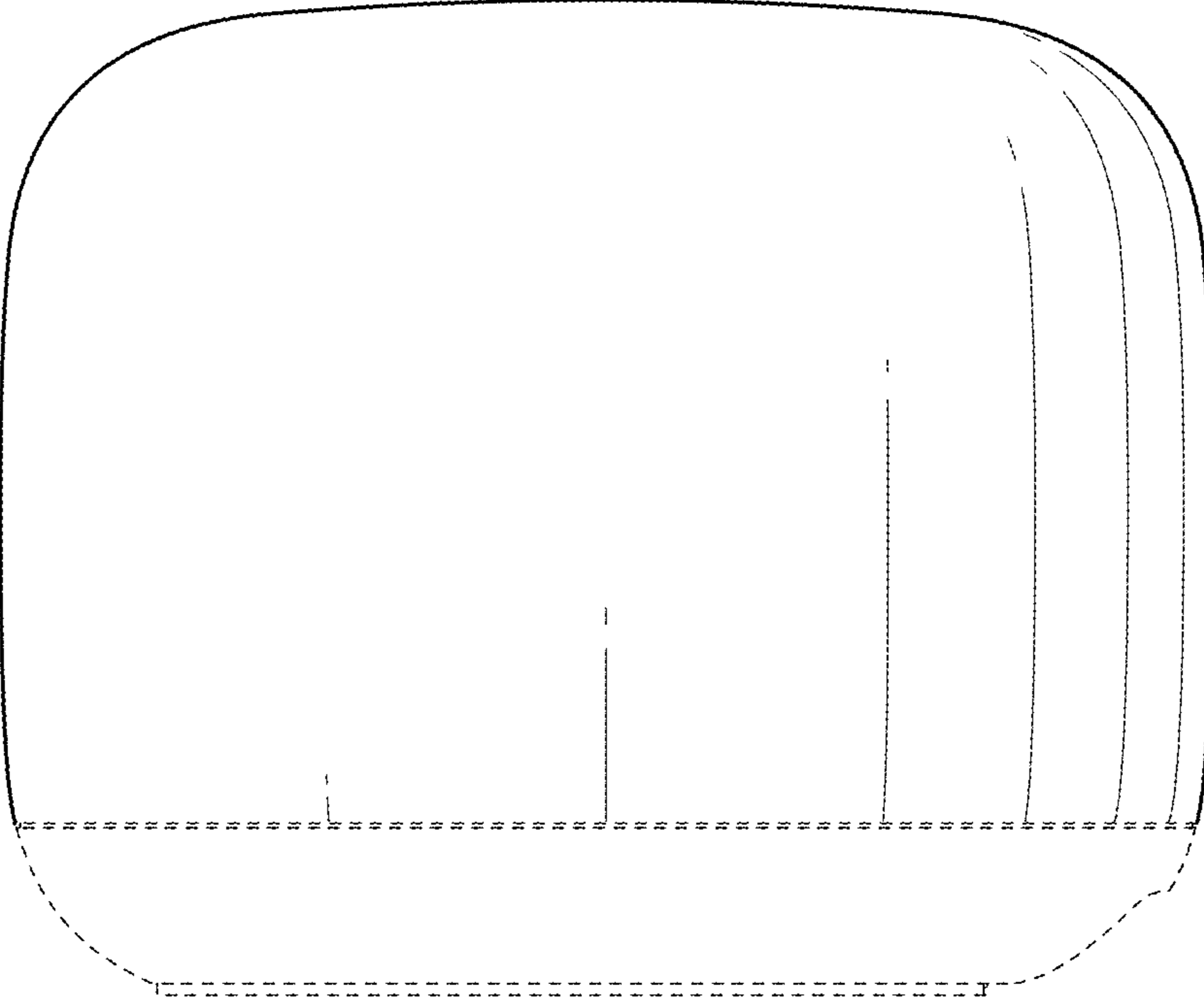


FIG. 5

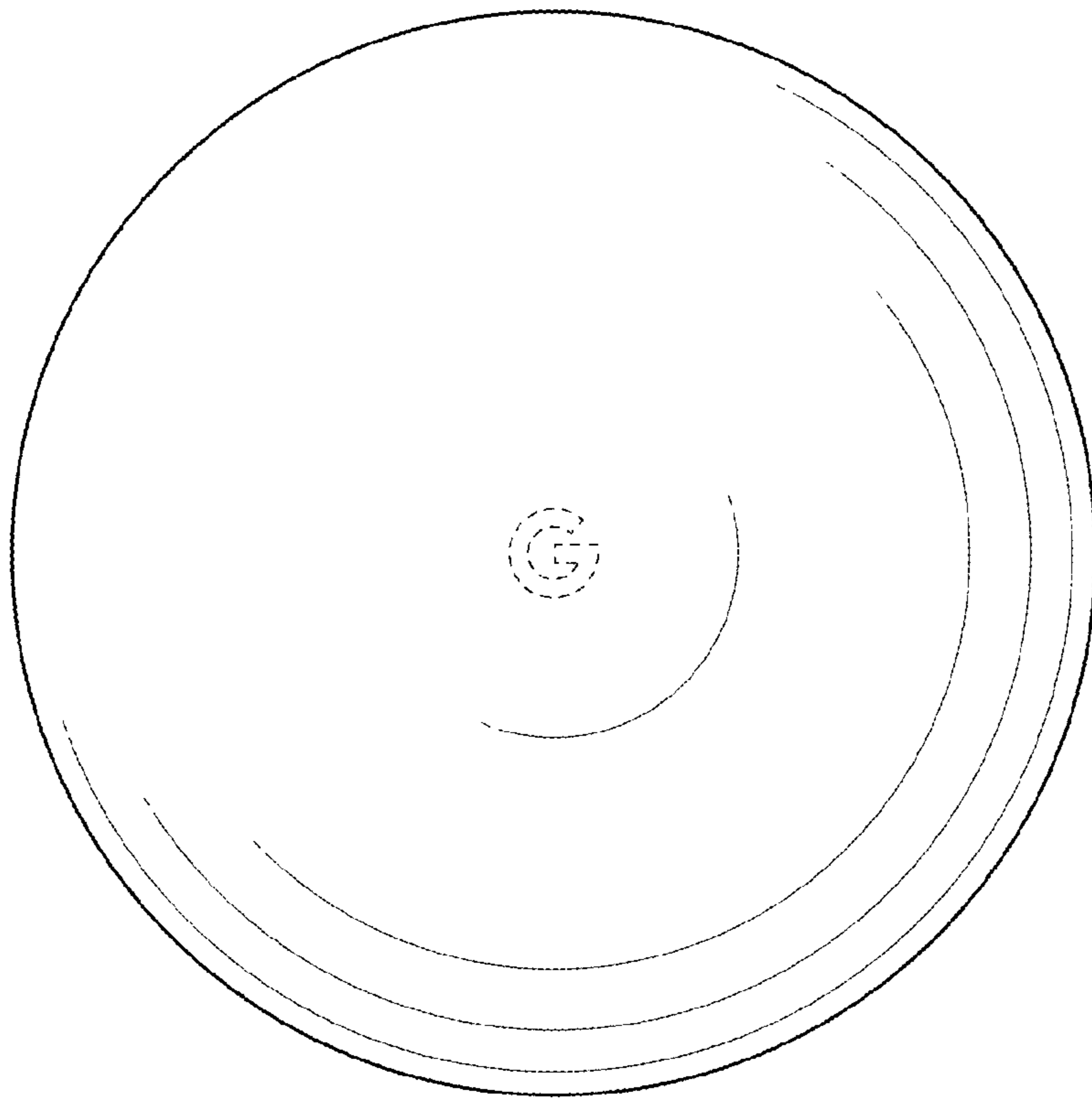


FIG. 6

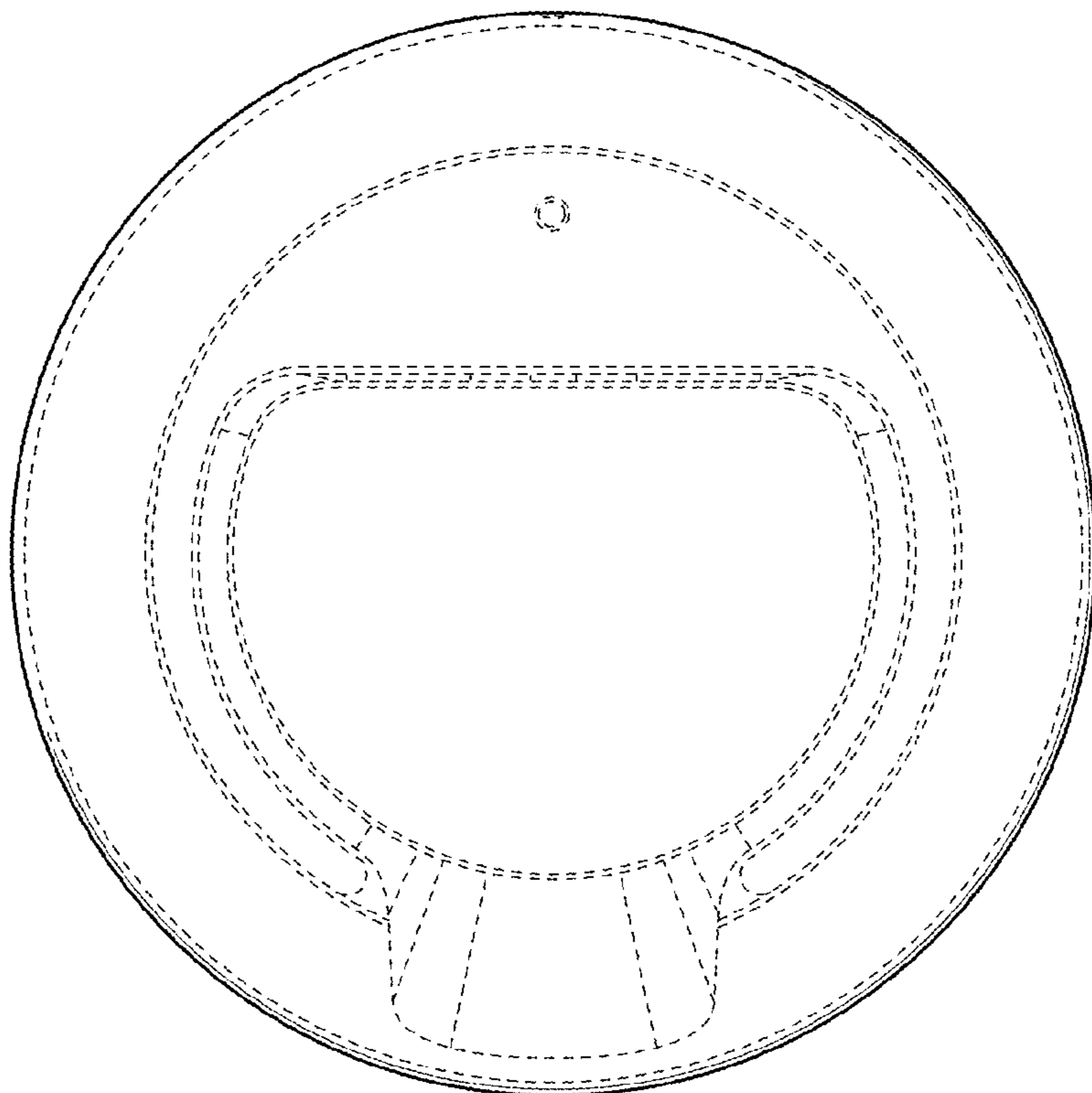


FIG. 7

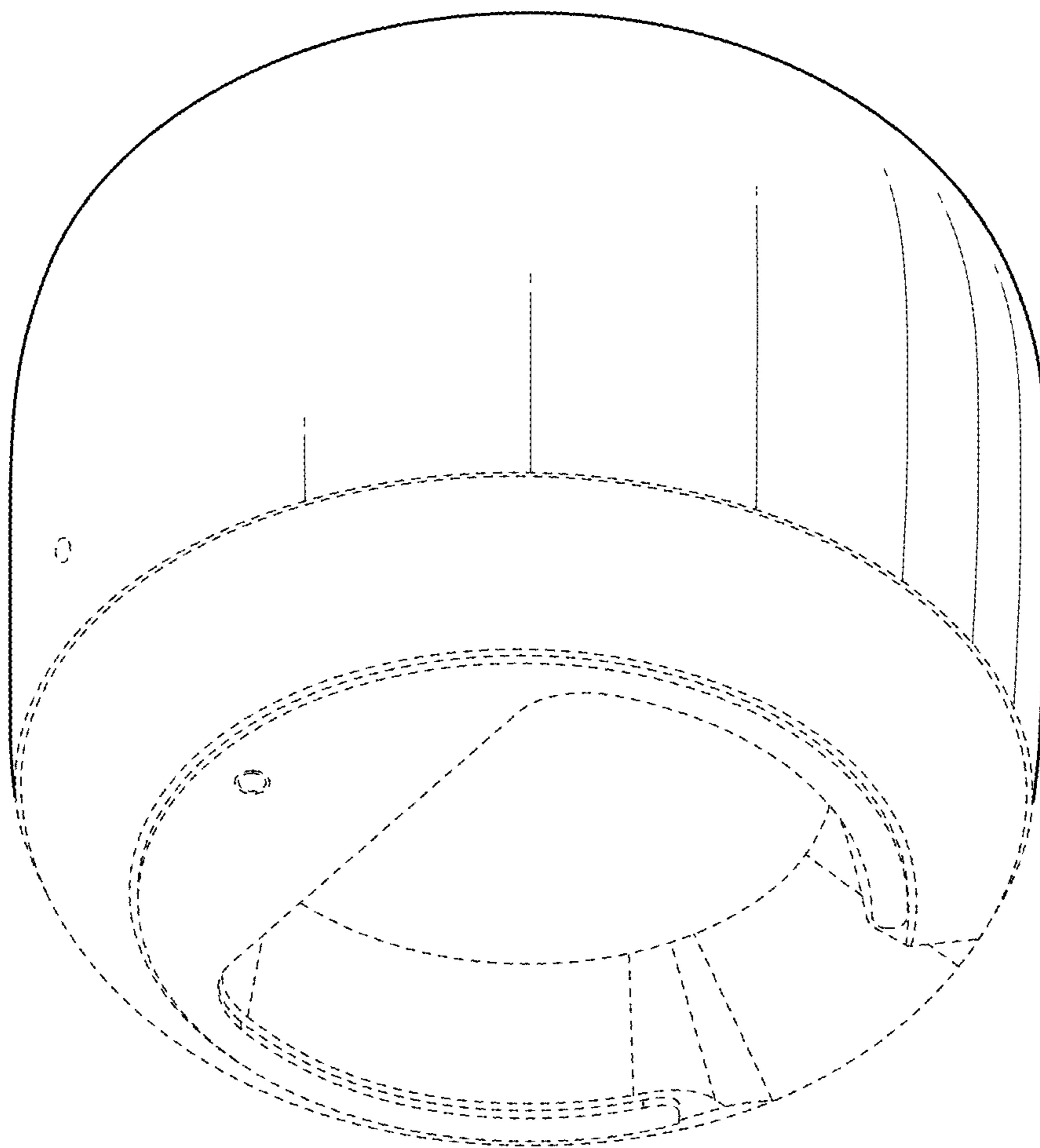


FIG. 8