



US00D937813S

(12) **United States Design Patent** (10) **Patent No.:** **US D937,813 S**
Lee (45) **Date of Patent:** **** Dec. 7, 2021**

(54) **REMOTE CONTROL**
(71) Applicant: **Seongil Lee**, Gwangju-si (KR)
(72) Inventor: **Seongil Lee**, Gwangju-si (KR)
(73) Assignee: **ALOYS INC.**, Seongnam-si (KR)
(**) Term: **15 Years**

D901,452 S * 11/2020 Maier D14/218
2006/0007306 A1* 1/2006 Masters H04B 1/202
348/114
2009/0115723 A1* 5/2009 Henty H04N 21/42225
345/158

FOREIGN PATENT DOCUMENTS

WO WO D207717-010 * 5/2020

OTHER PUBLICATIONS

Best Universal Remotes 2021, Techhive website. site visited Sep. 22, 2021, <https://www.techhive.com/article/3314747/best-universal-remote-control.html>.*

* cited by examiner

Primary Examiner — John R Yeh
(74) *Attorney, Agent, or Firm* — John K. Park; Park Law Firm

(21) Appl. No.: **29/729,813**
(22) Filed: **Mar. 30, 2020**
(51) **LOC (13) Cl.** **14-03**
(52) **U.S. Cl.**
USPC **D14/218**
(58) **Field of Classification Search**
USPC D14/218; D13/168
CPC H04N 7/00
See application file for complete search history.

(56) **References Cited**

U.S. PATENT DOCUMENTS

D366,042 S * 1/1996 Laituri D14/218
D531,964 S * 11/2006 Peh D13/168
D546,320 S * 7/2007 Choi D14/218
D567,804 S * 4/2008 Yan D14/218
D597,082 S * 7/2009 Bang D14/218
D611,456 S * 3/2010 Lin D14/218
D618,216 S * 6/2010 Constin D14/218
D618,628 S * 6/2010 Giugiaro D13/168
D699,223 S * 2/2014 Maier D14/218
8,646,019 B2 * 2/2014 O'Donnell H04N 21/2543
725/133
D714,740 S * 10/2014 Corsini D13/168
D720,725 S * 1/2015 Peh D14/218
D726,692 S * 4/2015 Peh D14/218
D743,944 S * 11/2015 Karrman D14/218
D752,555 S * 3/2016 Langhammer D14/218
D801,311 S * 10/2017 Akana D14/218
D901,451 S * 11/2020 Biddle D14/218

(57) **CLAIM**

The ornamental design for a remote control, as shown and described.

DESCRIPTION

FIG. 1 is a perspective view of the remote control showing my new design;
FIG. 2 is a front view thereof;
FIG. 3 is a rear view thereof;
FIG. 4 is a left side view thereof;
FIG. 5 is a right side view thereof;
FIG. 6 is a top plan view thereof; and,
FIG. 7 is a bottom plan view.

1 Claim, 7 Drawing Sheets

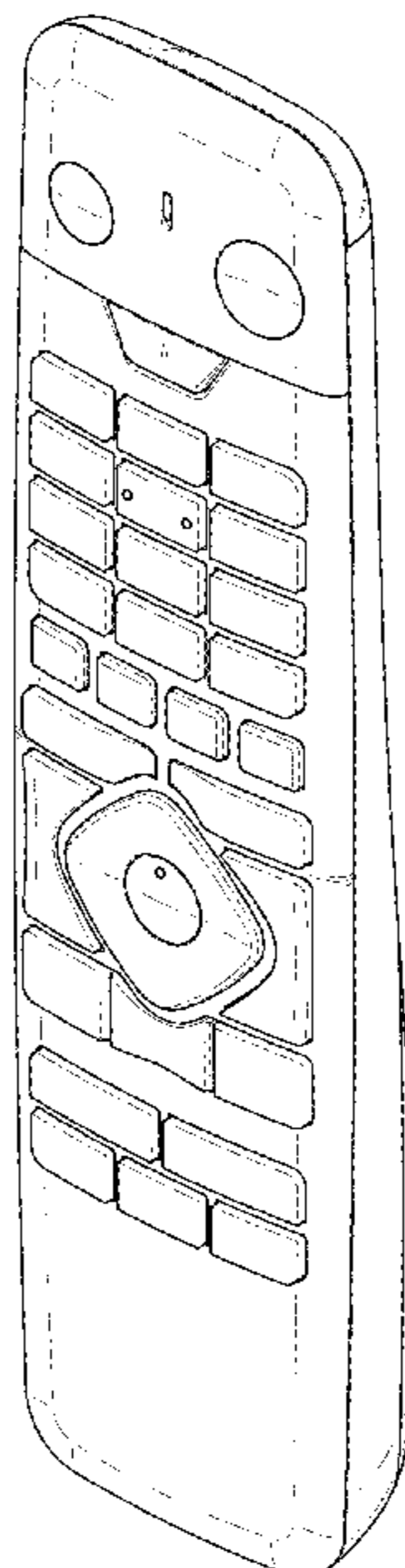


FIG. 1

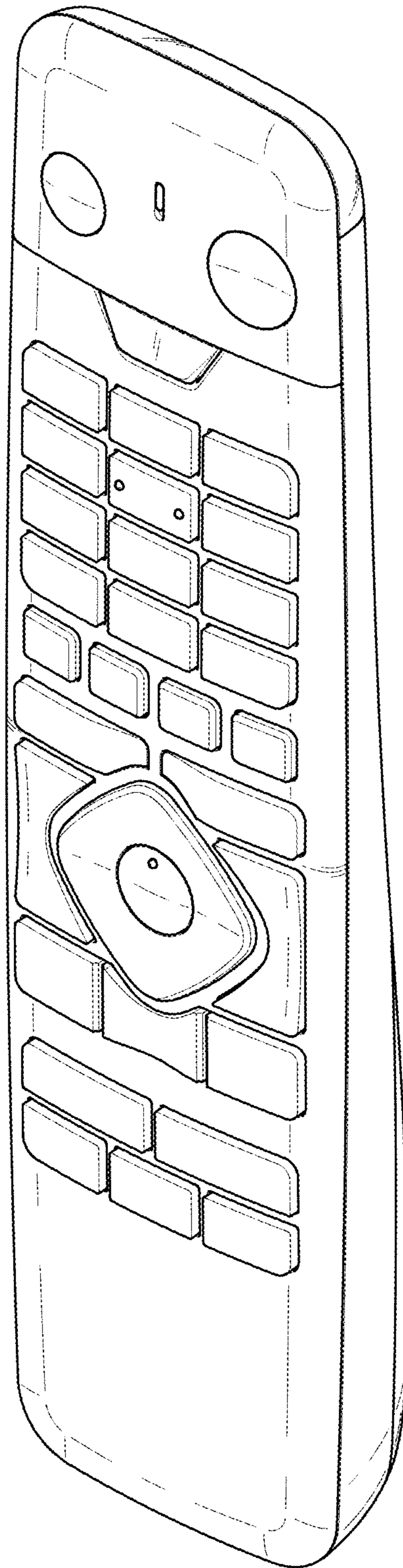


FIG. 2

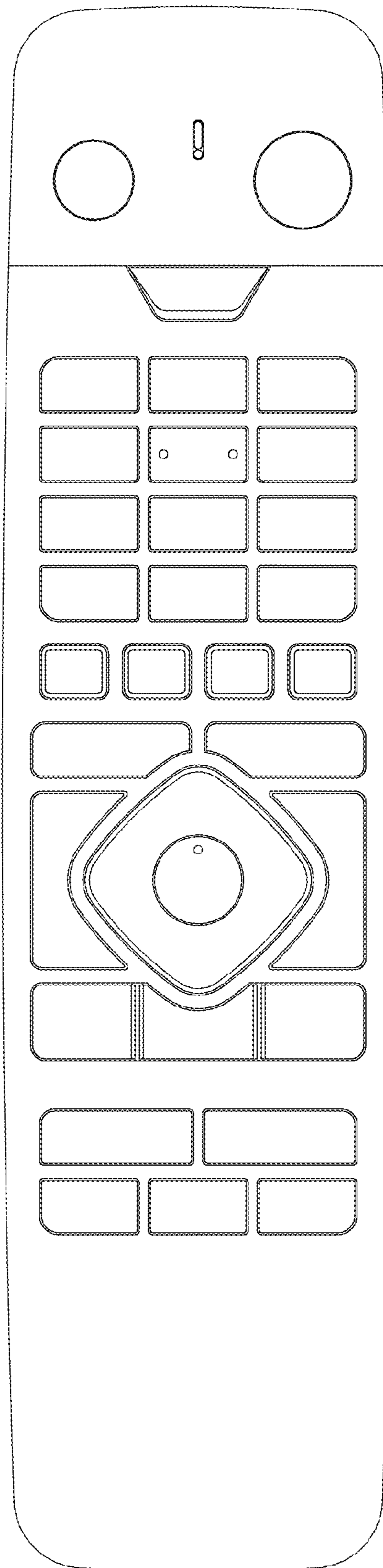


FIG. 3

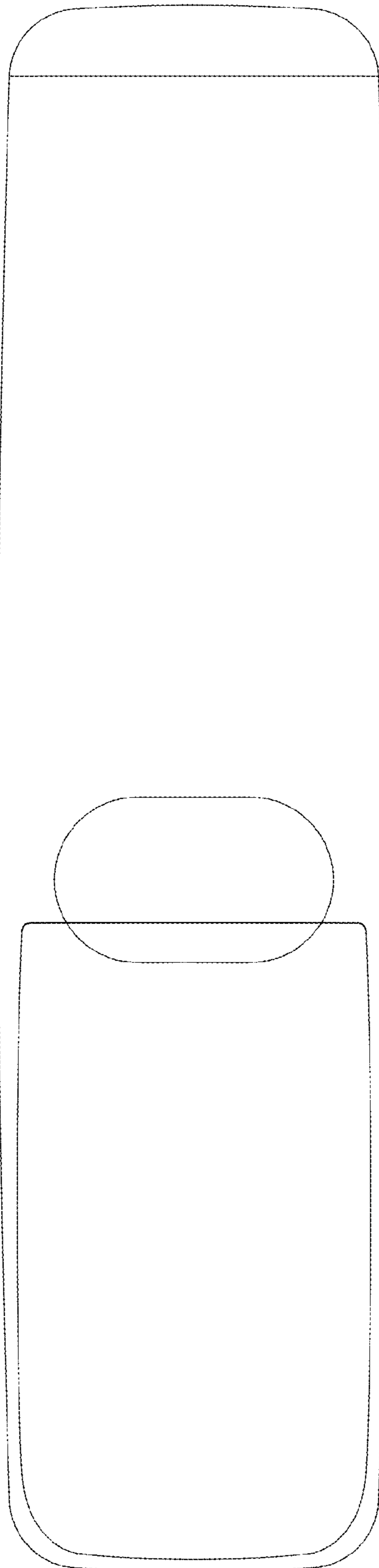


FIG. 4

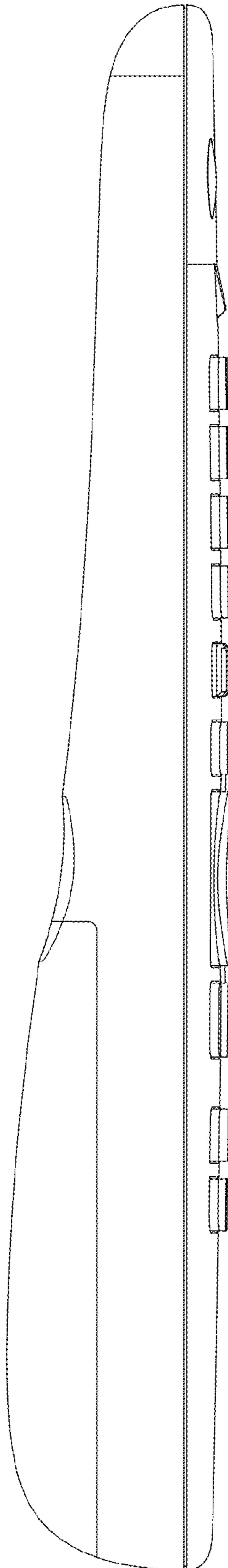


FIG. 5

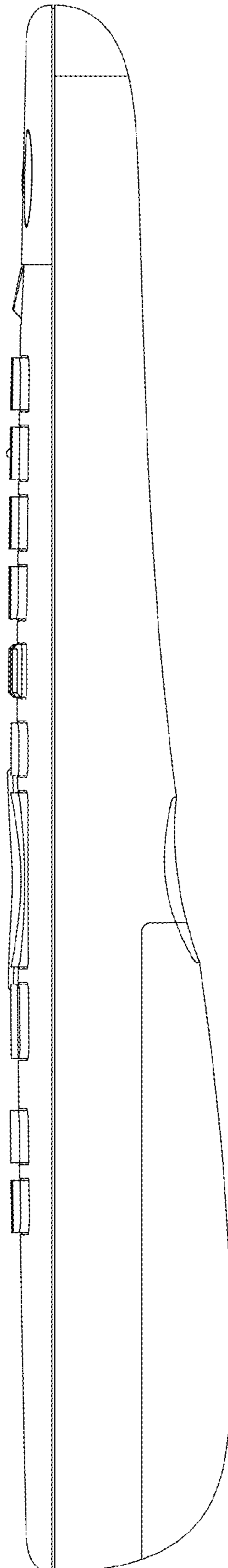


FIG. 6

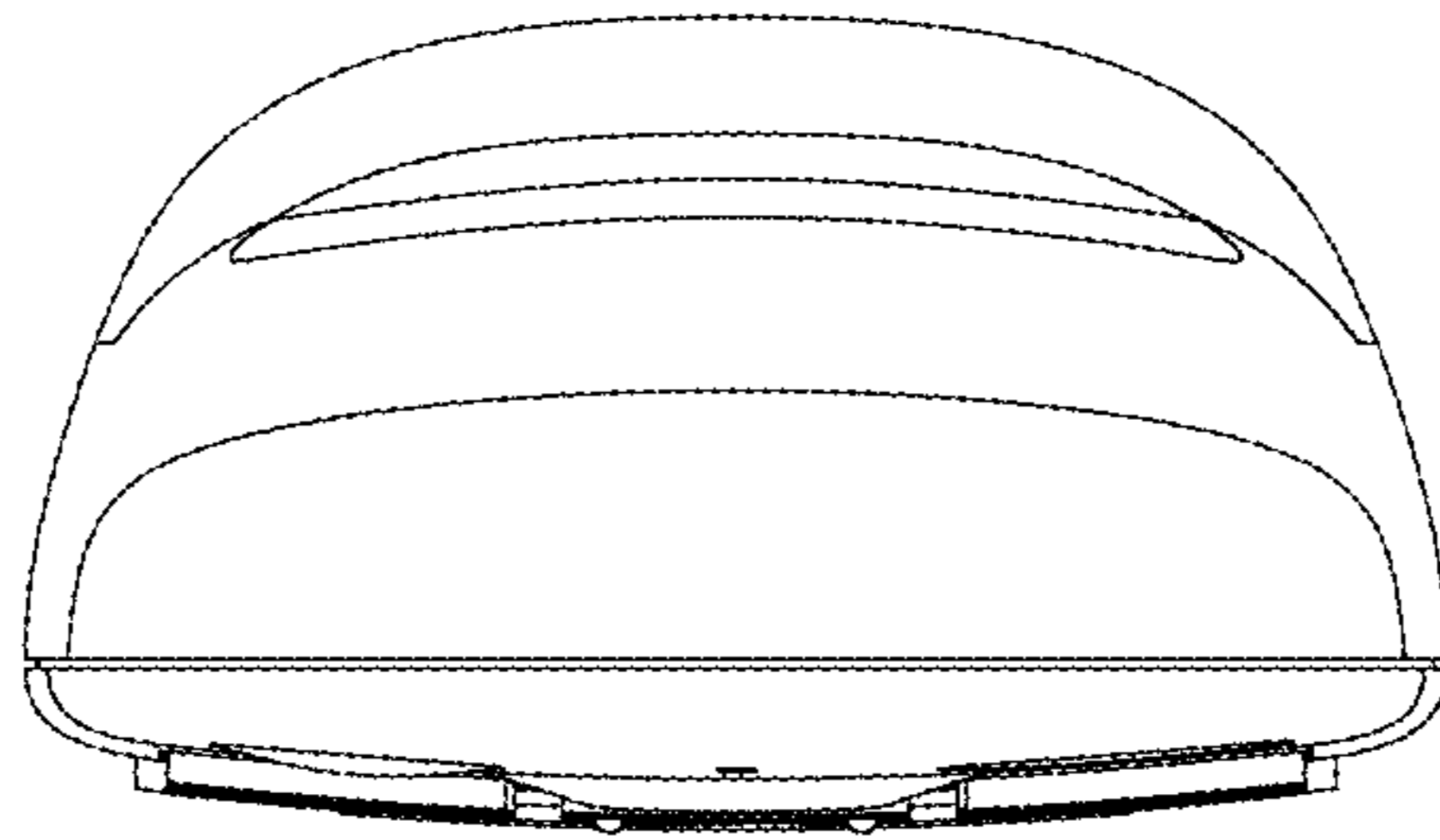


FIG. 7

