



US00D937812S

(12) **United States Design Patent**
Qiu et al.

(10) **Patent No.:** **US D937,812 S**

(45) **Date of Patent:** **** Dec. 7, 2021**

(54) **REMOTE CONTROL**

(71) Applicants: **Guozheng Qiu**, Guangdong (CN);
Qihua Dai, Jiangxi (CN)

(72) Inventors: **Guozheng Qiu**, Guangdong (CN);
Qihua Dai, Jiangxi (CN)

(**) Term: **15 Years**

(21) Appl. No.: **29/713,580**

(22) Filed: **Nov. 18, 2019**

(51) **LOC (13) Cl.** **14-03**

(52) **U.S. Cl.**
USPC **D14/218**

(58) **Field of Classification Search**
USPC D14/218; D13/168
CPC .. A47C 31/008; A61G 13/02; G07C 9/00944;
G08C 17/00; G08C 17/02; H04B 1/202;
H01H 9/02; H01H 9/0214; H01H 9/0235;
H01H 9/0242
See application file for complete search history.

(56) **References Cited**

U.S. PATENT DOCUMENTS

D531,136 S * 10/2006 Schoenert D13/168
D647,884 S * 11/2011 Moon D14/218

D648,326 S * 11/2011 Sung D14/218
D695,272 S * 12/2013 Hansen D14/218
D882,551 S * 4/2020 Wang D14/218
D901,450 S * 11/2020 Wang D14/218
D916,035 S * 4/2021 Shi D13/168

* cited by examiner

Primary Examiner — John Windmuller

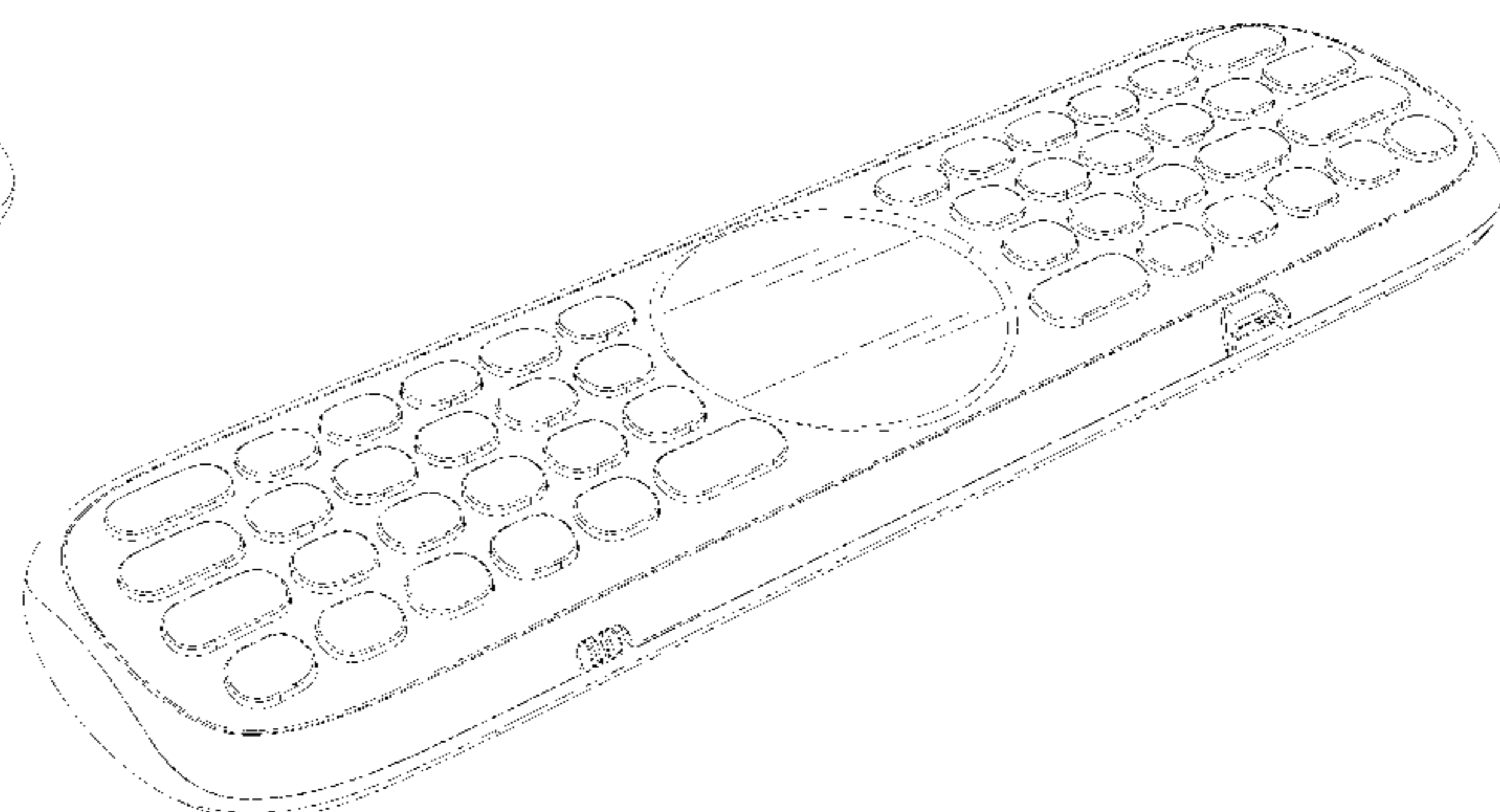
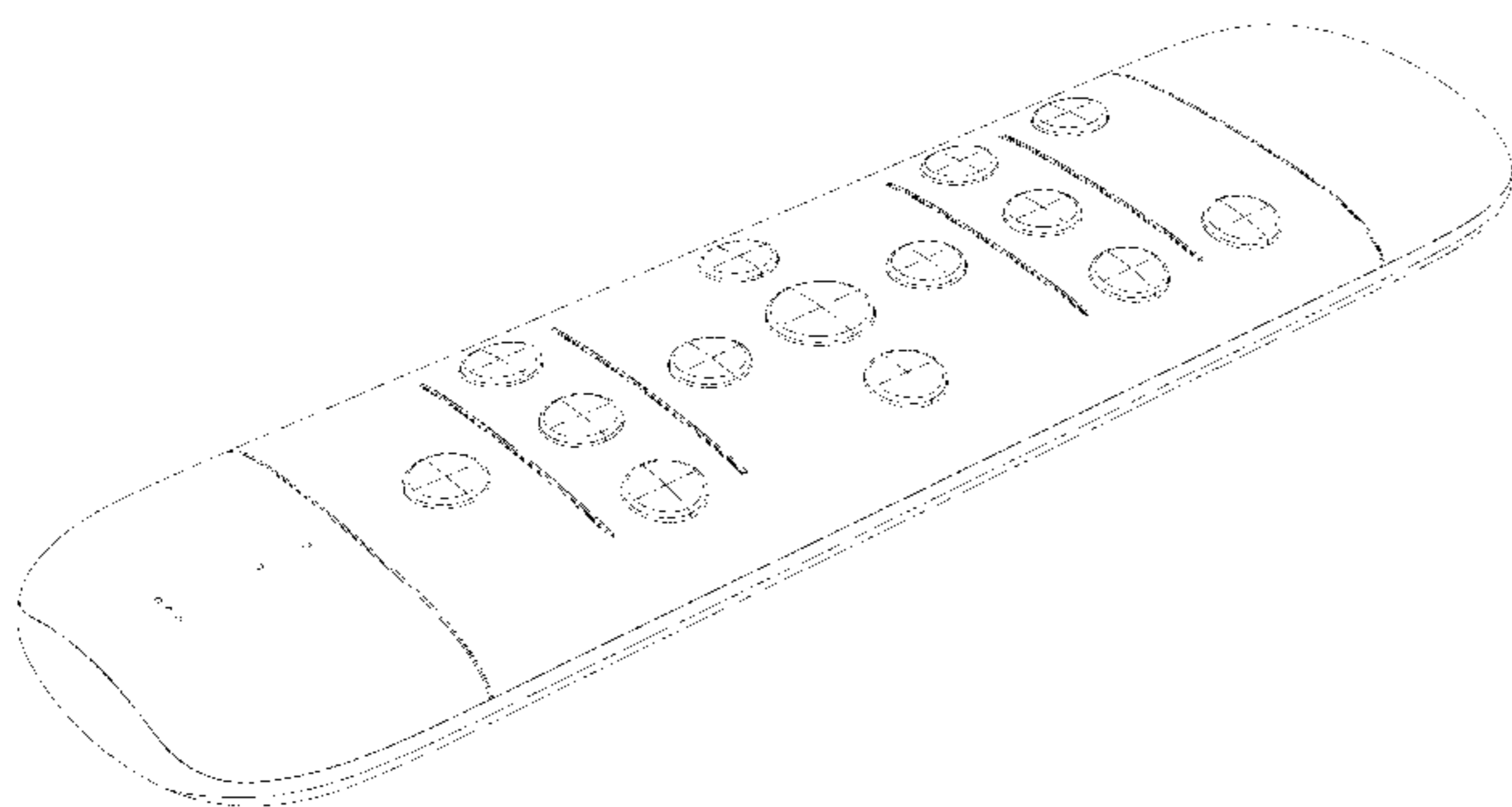
(57) **CLAIM**

The ornamental design for a remote control, as shown and described.

DESCRIPTION

FIG. 1 is a front elevational view of the remote control showing my new design;
FIG. 2 is a rear elevational view thereof;
FIG. 3 is a right side view thereof;
FIG. 4 is a left side view thereof;
FIG. 5 is a top plan view thereof;
FIG. 6 is a bottom plan view thereof;
FIG. 7 is a top, front, right perspective view thereof; and,
FIG. 8 is a bottom, front, left perspective view thereof.

1 Claim, 8 Drawing Sheets



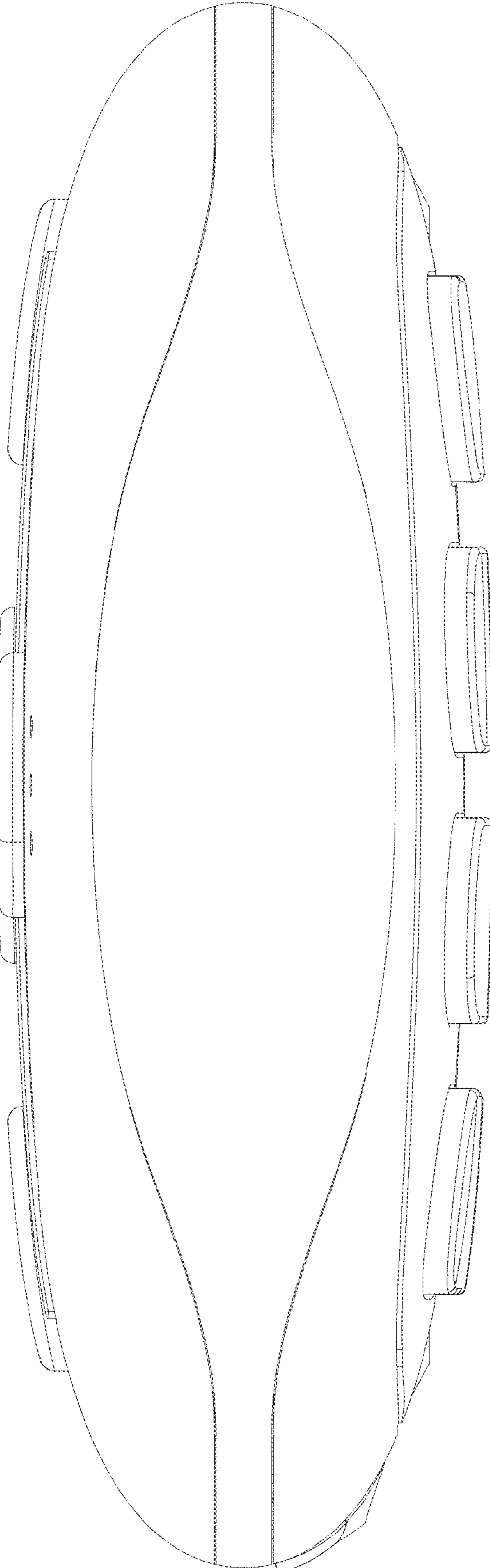


FIG. 1

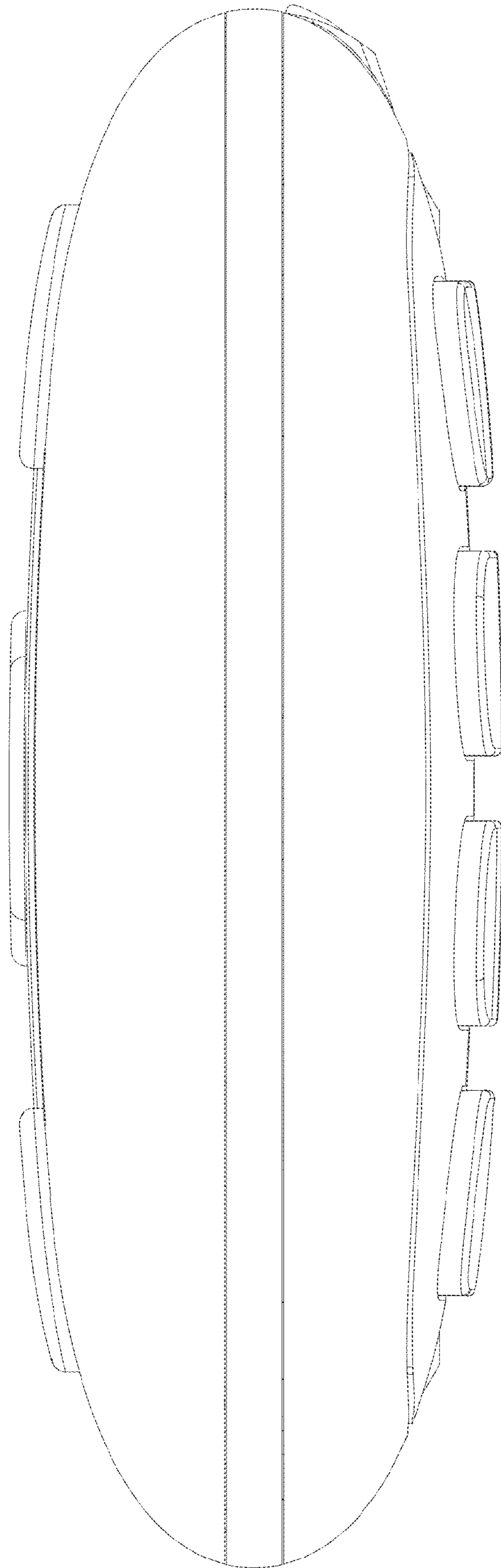


FIG. 2

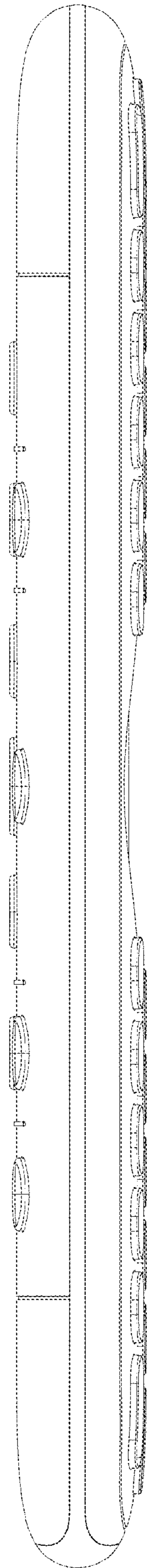


FIG. 3

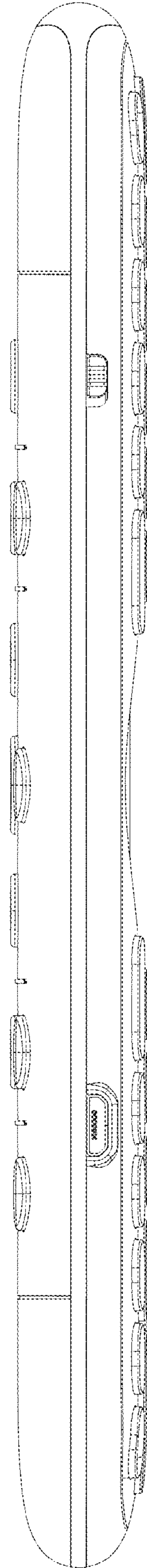


FIG. 4

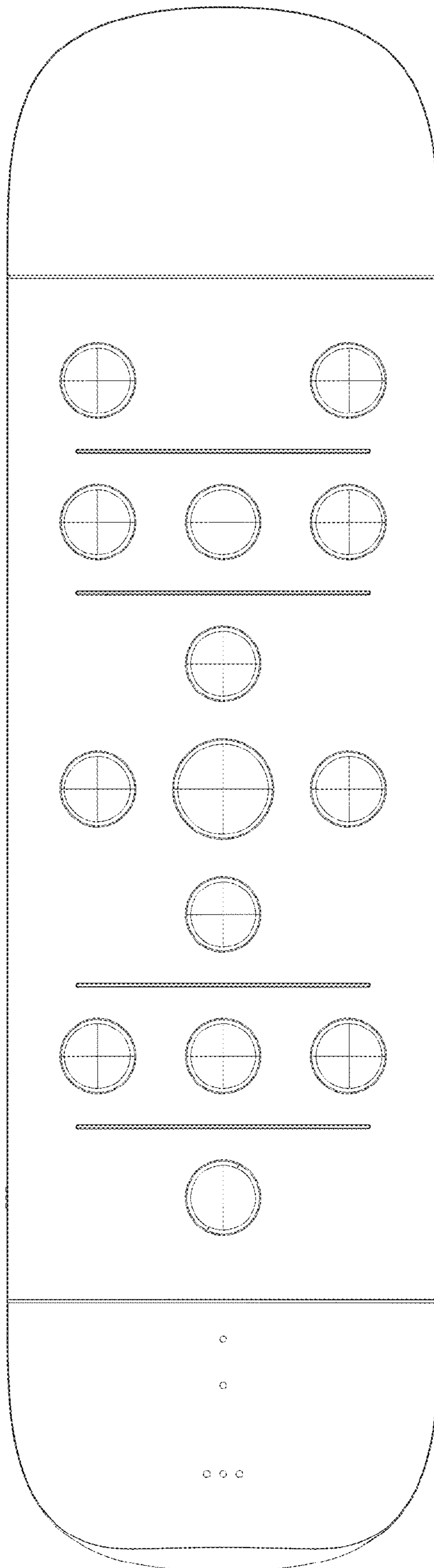


FIG. 5

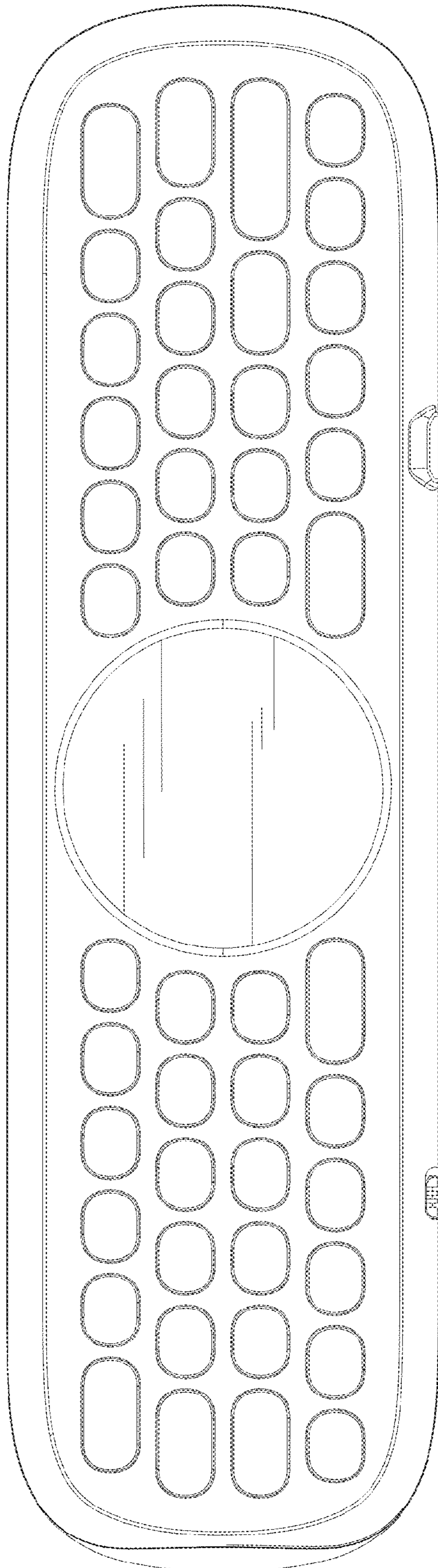


FIG. 6

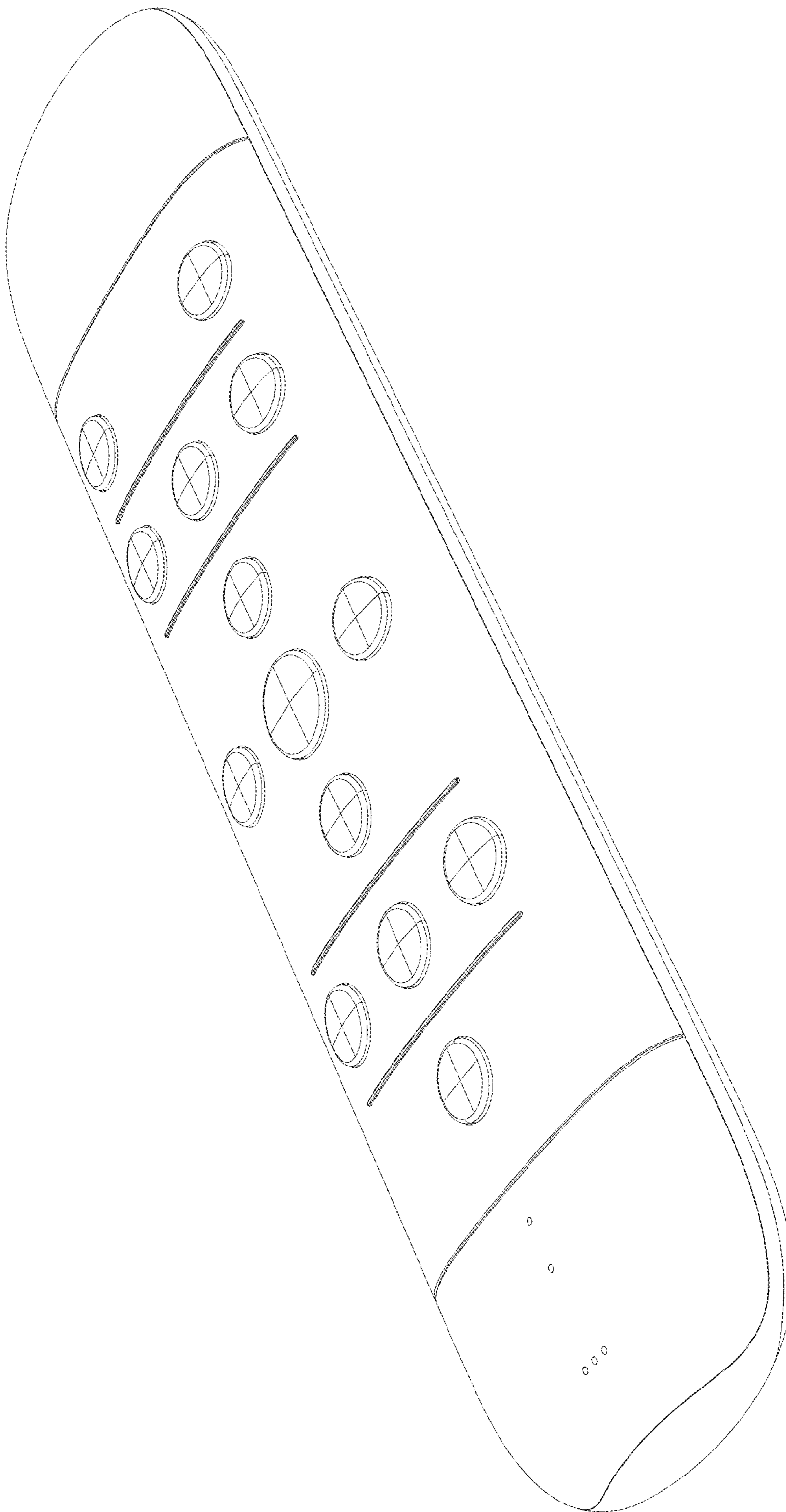


FIG. 7

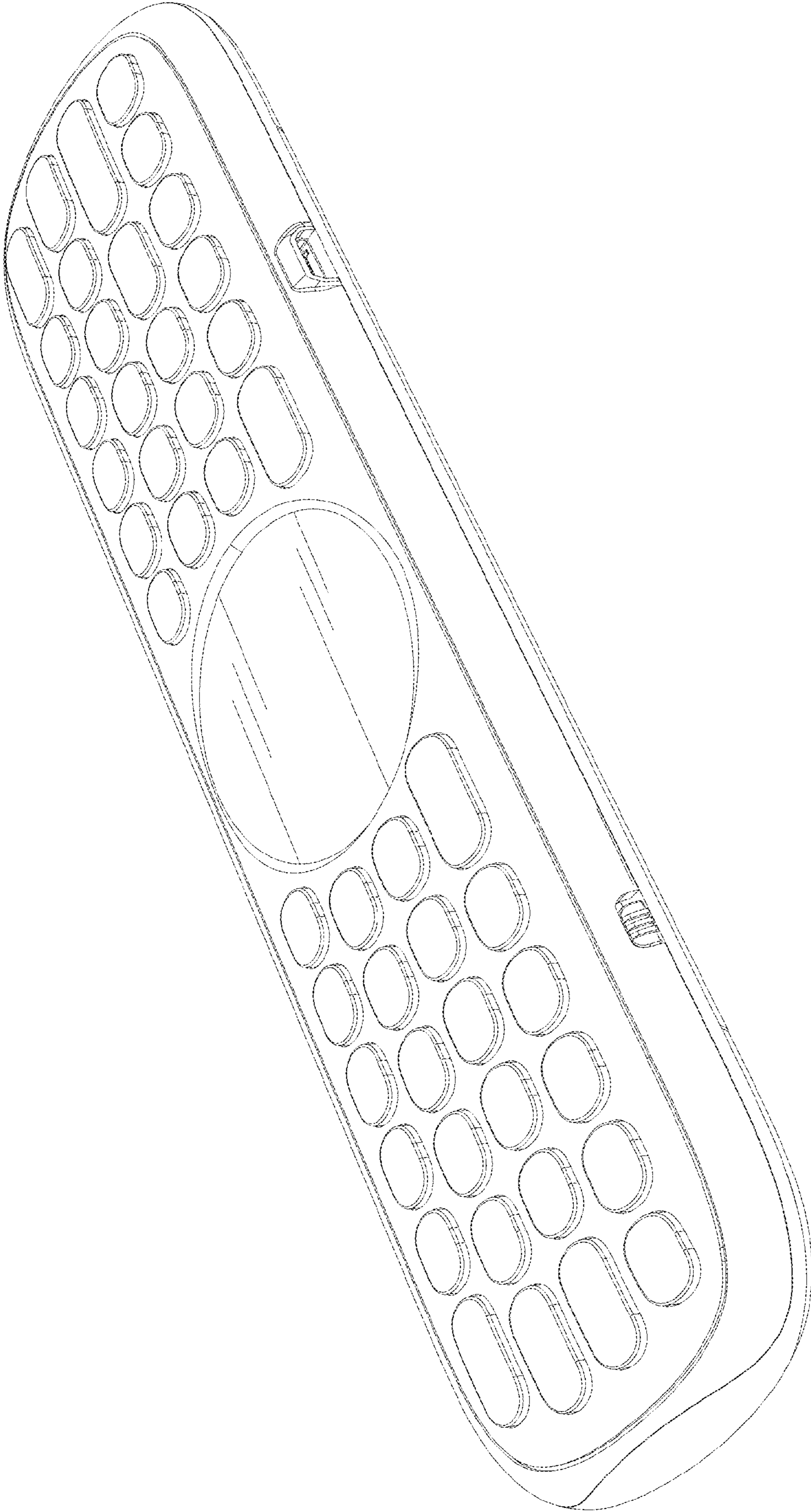


FIG. 8