

US00D937811S

(12) **United States Design Patent**
Lee

(10) **Patent No.:** **US D937,811 S**
(45) **Date of Patent:** **** Dec. 7, 2021**

(54) **SPEAKER BASE**

(71) Applicant: **Cheng Uei Precision Industry Co., Ltd.**, New Taipei (TW)

(72) Inventor: **James Cheng Lee**, La Habra, CA (US)

(**) Term: **15 Years**

(21) Appl. No.: **29/721,366**

(22) Filed: **Jan. 20, 2020**

(51) **LOC (13) Cl.** **14-01**

(52) **U.S. Cl.**
USPC **D14/217; D14/209.1**

(58) **Field of Classification Search**
USPC D14/224, 224.1, 209.1, 204, 211, 210, D14/212, 225, 227, 207, 172, 240, 149, D14/496, 509, 511, 203.6, 217, 238.1; D13/108, 110; D10/106.1; 181/199, 150, 181/151, 144, 145, 148; 381/349, 345, 381/386; 455/90.3, 575.1, 569.1
CPC ... H04R 1/02; H04R 1/28; H04R 5/00; H04R 5/02; H05K 7/00; A47B 81/06; G10K 11/16; H04K 5/00
See application file for complete search history.

4,917,212 A * 4/1990 Iwaya B60R 11/0217
181/141

5,133,428 A * 7/1992 Perrson B60R 11/0217
181/153

5,153,915 A * 10/1992 Farella H04R 1/025
181/150

5,319,164 A * 6/1994 Shen H04R 1/025
181/150

D411,166 S * 6/1999 Uemura D13/107

D459,299 S * 6/2002 Hughes D13/108

D471,578 S * 3/2003 Okuley D13/108

D508,458 S * 8/2005 Solland D13/108

D516,025 S * 2/2006 Quinn D13/108

7,209,648 B2 * 4/2007 Barber H04N 9/7921
386/243

D566,697 S * 4/2008 Nielsen D14/224

D582,887 S * 12/2008 Poandl D14/172

D607,876 S * 1/2010 Huang D14/216

D645,843 S * 9/2011 Bolton D14/209.1

D656,486 S * 3/2012 Parraga Gimeno D14/216

8,175,304 B1 * 5/2012 North H04R 5/02
381/308

(Continued)

Primary Examiner — Paula Allen Greene

(57) **CLAIM**

The ornamental design for a speaker base, as shown and described.

DESCRIPTION

FIG. 1 is a perspective view of a speaker base showing our new design;

FIG. 2 is a front elevational view thereof;

FIG. 3 is a rear elevational view thereof;

FIG. 4 is a left side elevational view thereof;

FIG. 5 is a right side elevational view thereof;

FIG. 6 is a top plan view thereof; and,

FIG. 7 is a bottom plan view thereof.

The broken lines in FIGS. 1 and 6 depict portions of the speaker base that form no part of the claimed design.

1 Claim, 7 Drawing Sheets

(56) **References Cited**

U.S. PATENT DOCUMENTS

1,830,475 A * 11/1931 Mayer F16M 11/041
248/187.1

2,506,878 A * 5/1950 Kraus F16M 11/04
248/187.1

D211,185 S * 5/1968 Cox D13/108

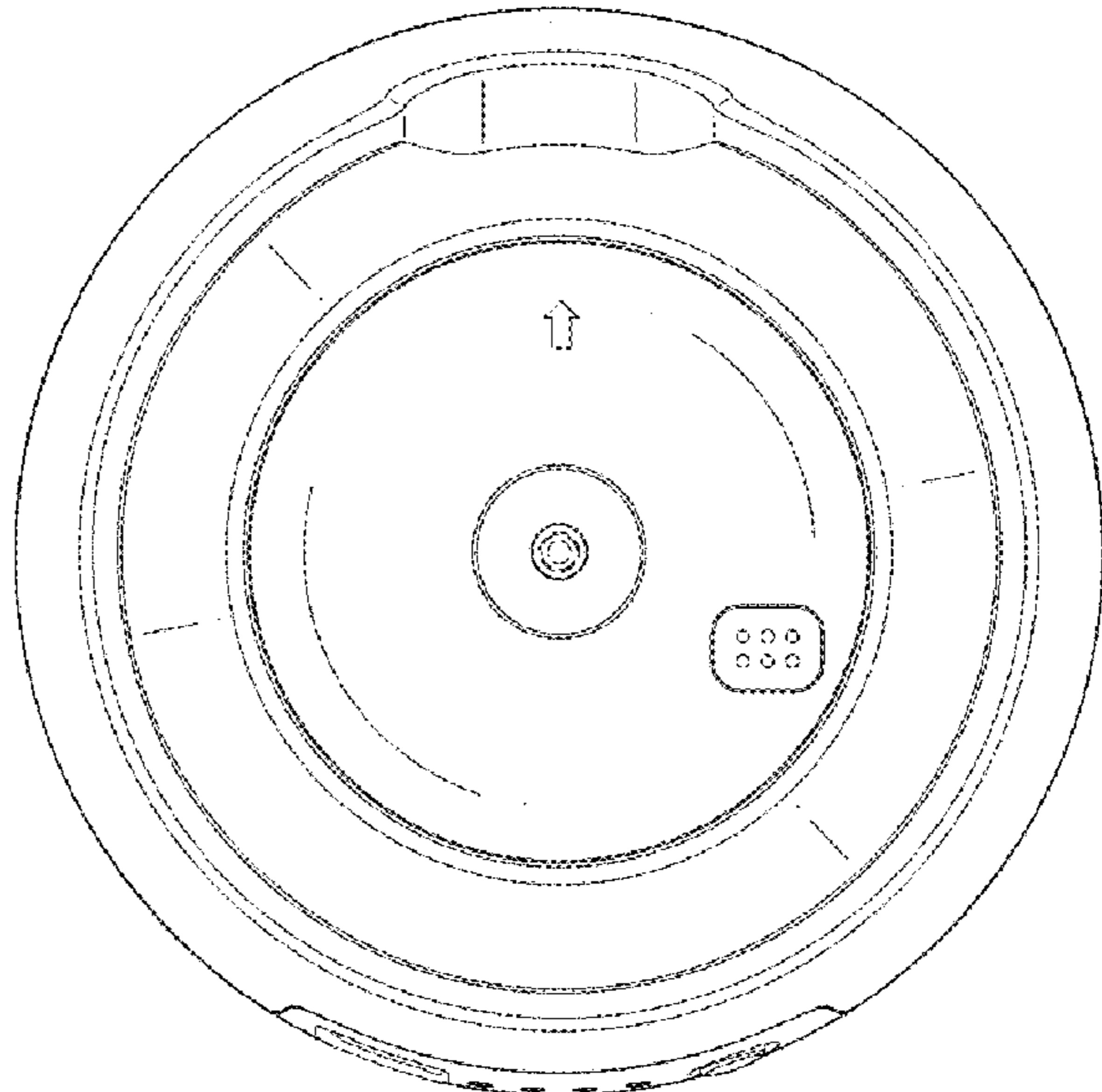
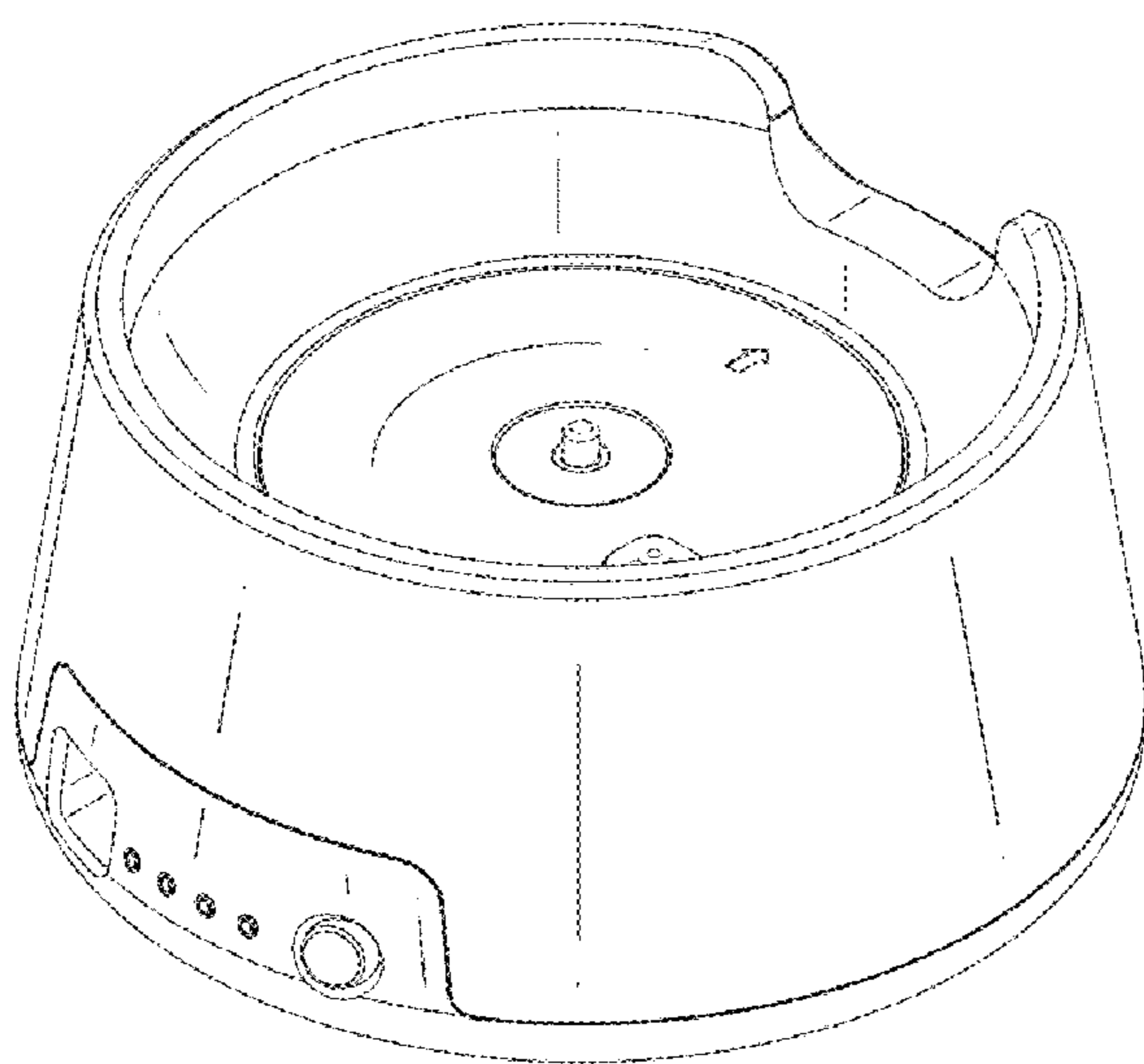
D221,081 S * 7/1971 Kahn D13/110

3,644,873 A * 2/1972 Dalton H01R 13/703
439/299

D257,346 S * 10/1980 Garrigus D14/228

D274,903 S * 7/1984 Eckmann D13/107

4,620,317 A * 10/1986 Anderson H04R 1/345
181/155



(56)

References Cited

U.S. PATENT DOCUMENTS

D666,662 S * 9/2012 Runnals D16/242
D687,009 S * 7/2013 Song D14/155
D691,587 S * 10/2013 Ferber D14/216
D694,218 S * 11/2013 Szymanski D14/216
8,577,076 B2 * 11/2013 Ohashi H04R 1/028
381/423
D695,713 S * 12/2013 Szymanski D14/216
D708,619 S * 7/2014 Sogabe D14/434
D711,353 S * 8/2014 Szymanski D14/216
9,036,858 B1 * 5/2015 Reeves H04R 1/023
381/394
D761,343 S * 7/2016 Schmidt D16/242
D768,604 S * 10/2016 Flowers D14/217
D781,798 S * 3/2017 Klepper D14/125
D784,259 S * 4/2017 Huang D13/108
D784,438 S * 4/2017 Rondinelli D16/242
D802,529 S * 11/2017 Andersson D13/108
D826,989 S * 8/2018 Lim D14/511
D828,342 S * 9/2018 Chen D14/240
D836,086 S * 12/2018 Yu D14/209.1
D867,332 S * 11/2019 Xiao D14/209.1
D903,627 S * 12/2020 Xiao D14/204
2007/0133837 A1 * 6/2007 Suzuki H04R 1/323
381/396
2017/0303024 A1 * 10/2017 Sato H04R 1/06
2017/0325031 A1 * 11/2017 Fukuma H04R 1/403
2021/0152953 A1 * 5/2021 Sueyoshi H01M 50/20

* cited by examiner

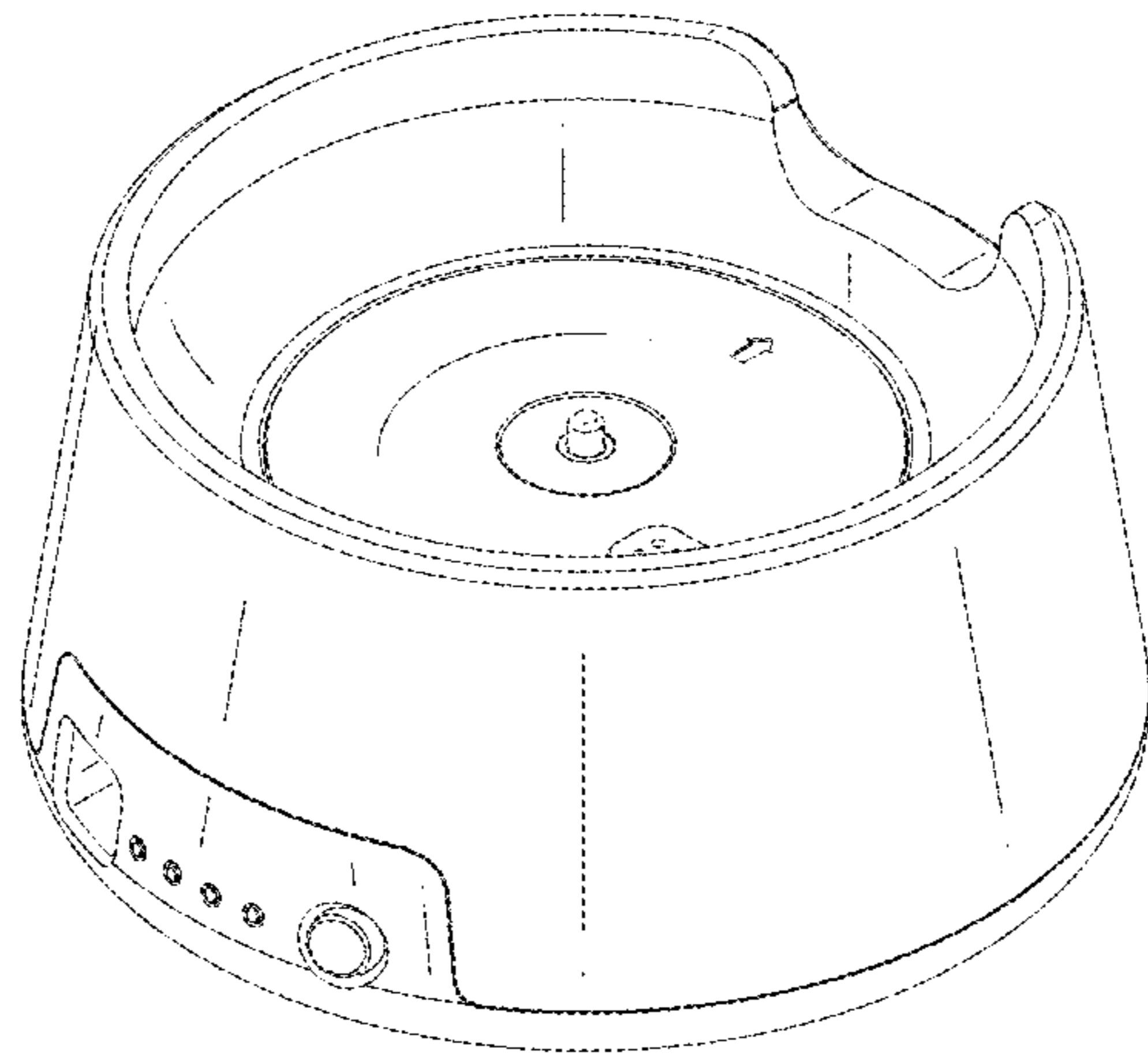


Fig. 1

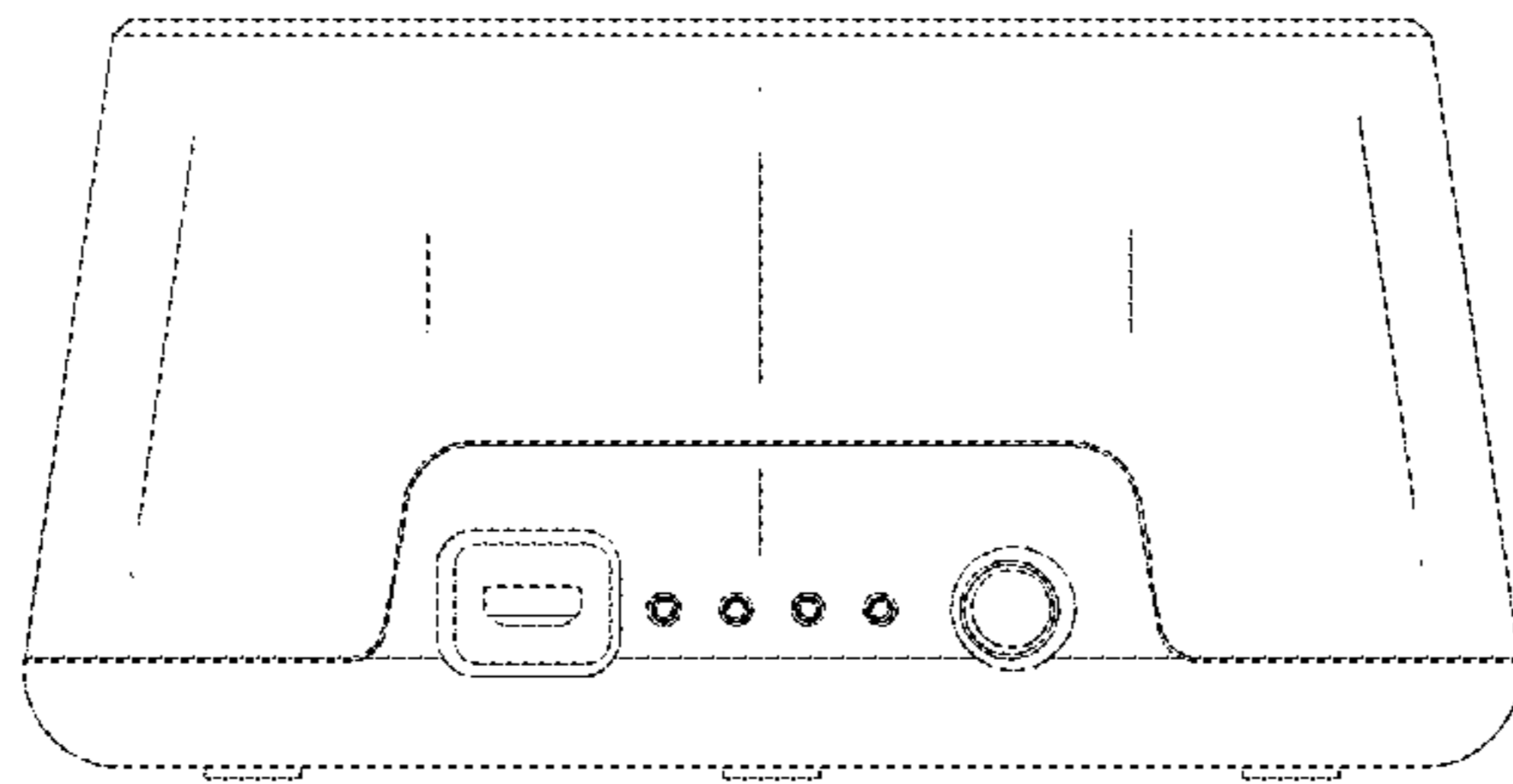


Fig. 2

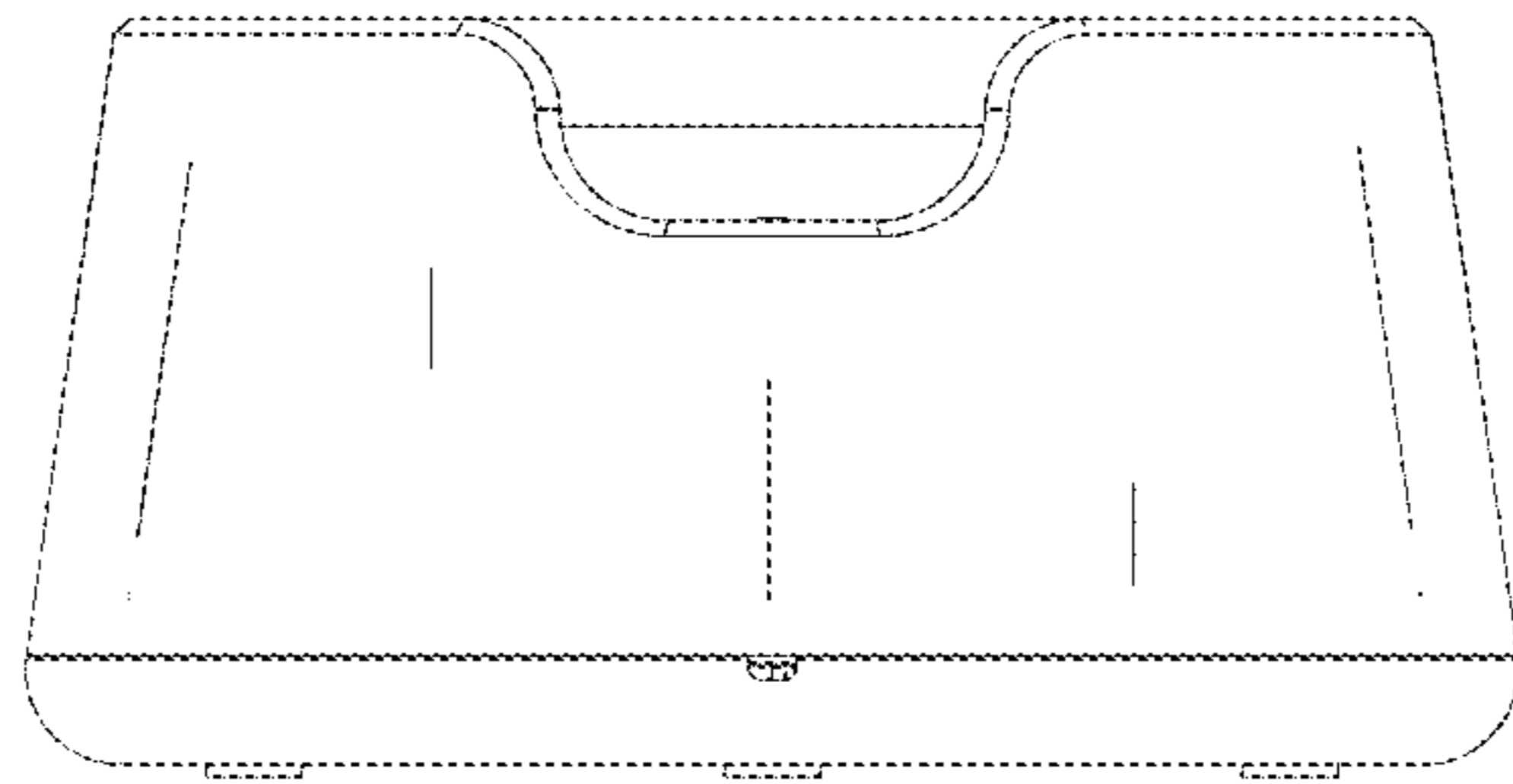


Fig. 3

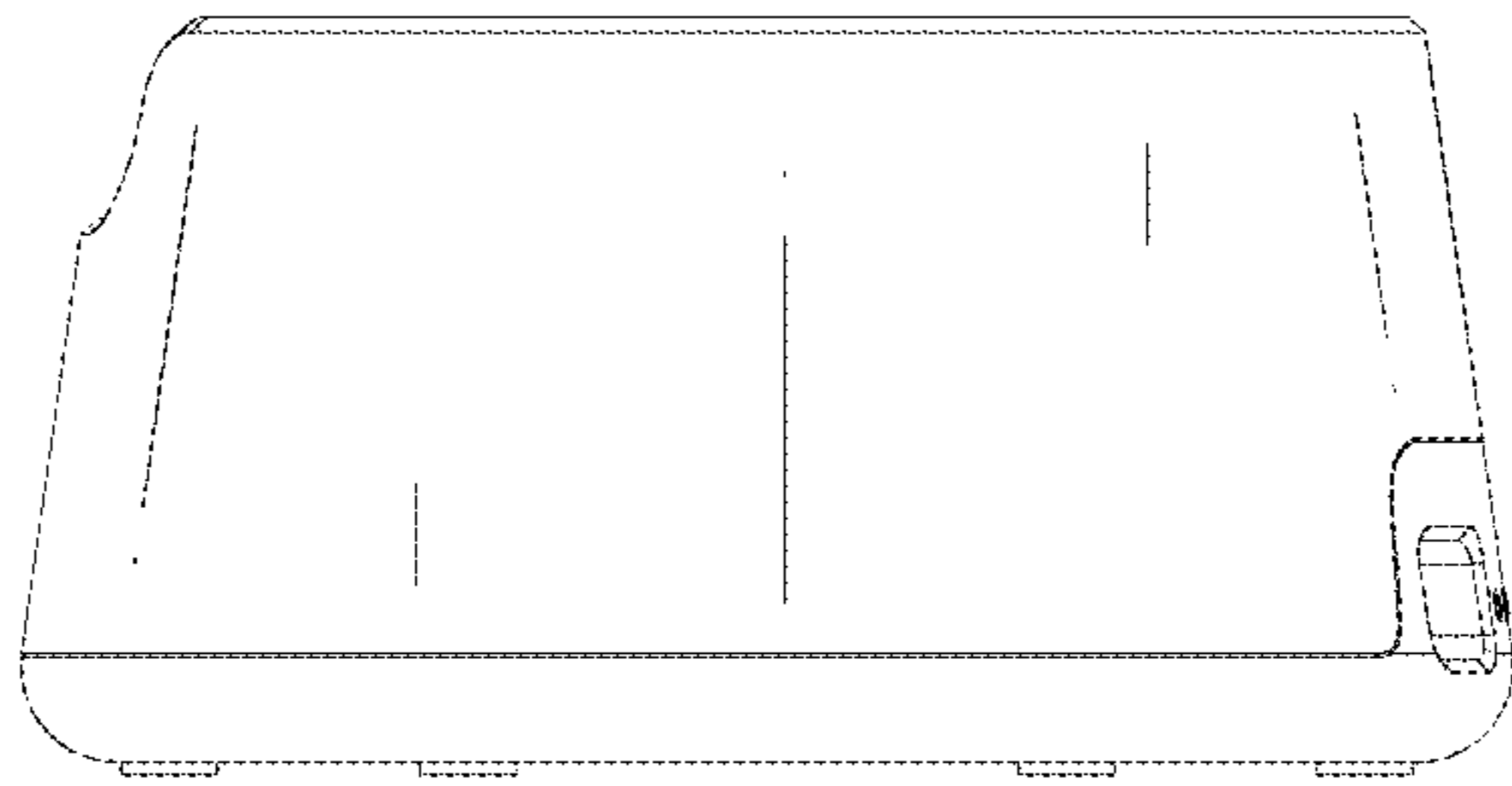


Fig. 4

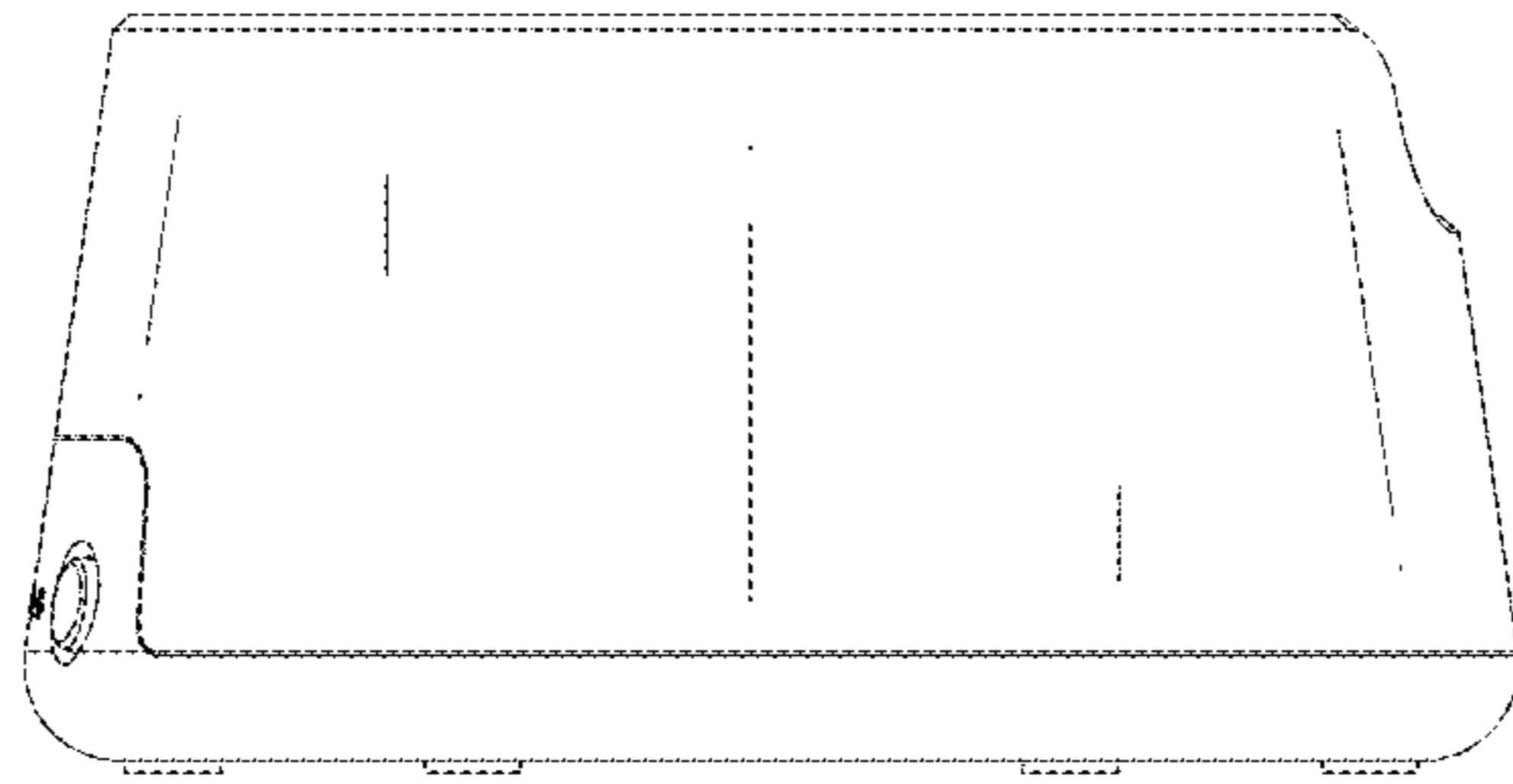


Fig. 5

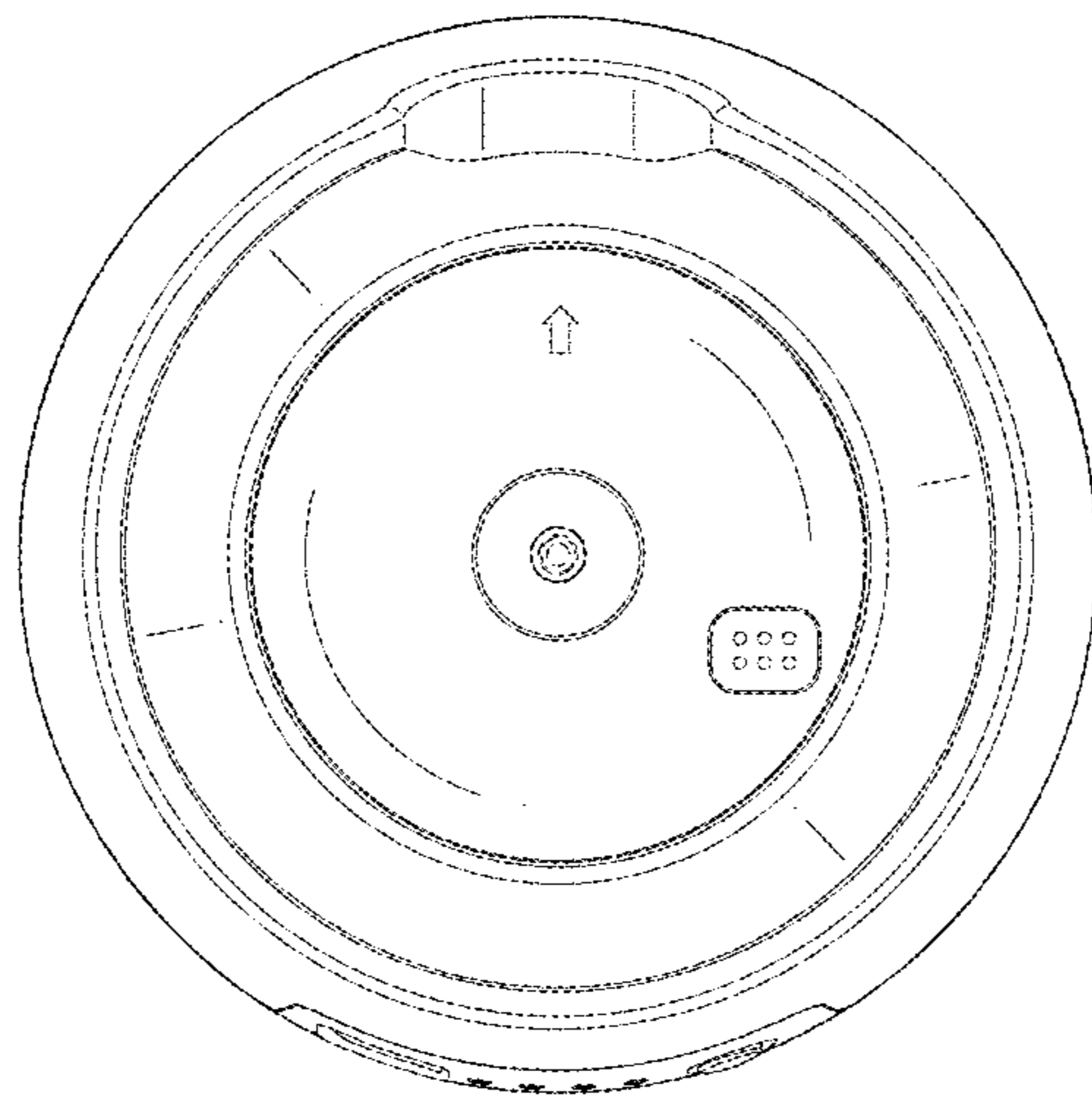


Fig. 6

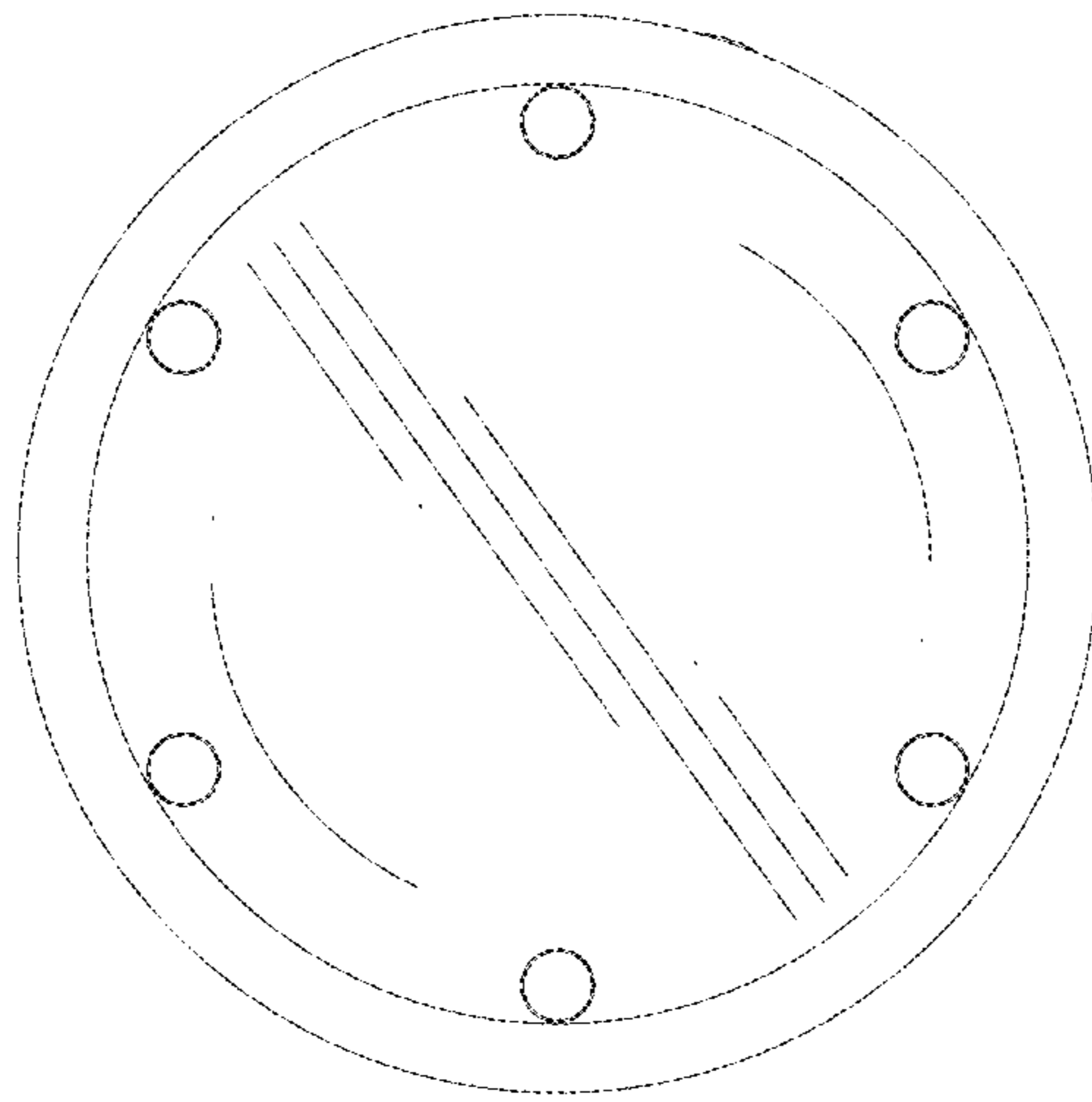


Fig. 7