



US00D937808S

(12) **United States Design Patent**
Liu

(10) **Patent No.:** **US D937,808 S**

(45) **Date of Patent:** **** Dec. 7, 2021**

(54) **HEADSET**

(71) Applicant: **Ming Liu, Ji'an (CN)**

(72) Inventor: **Ming Liu, Ji'an (CN)**

(**) Term: **15 Years**

(21) Appl. No.: **29/730,971**

(22) Filed: **Apr. 10, 2020**

(51) **LOC (13) Cl.** **14-01**

(52) **U.S. Cl.**
USPC **D14/206**; D14/226

(58) **Field of Classification Search**
USPC D14/206, 226, 188, 192, 372, 225;
D29/112; 2/209; 381/380, 381, 375;
455/90.3, 575.1, 569.1

CPC H04R 1/1066; H04R 1/1016; H04R 5/033;
H04R 5/0335; H04R 25/00; H04R
525/02; H04R 1/105; H04R 1/1058;
H04R 1/1091; H04R 19/04; H04R 11/04;
G02B 27/017

See application file for complete search history.

(56) **References Cited**

U.S. PATENT DOCUMENTS

3,786,519	A *	1/1974	Aileo	A42B 3/10 2/6.2
4,420,657	A *	12/1983	Larkin	H04M 1/05 181/129
5,018,599	A *	5/1991	Dohi	H04R 1/1008 181/129
5,794,127	A *	8/1998	Lansang	H04R 1/1041 340/12.5
6,449,806	B1 *	9/2002	Engelhard	H04M 1/05 2/209
6,654,966	B2 *	12/2003	Rolla	H04R 1/1066 2/209
7,106,873	B1 *	9/2006	Harrison	A61N 1/36038 381/330
D600,674	S *	9/2009	Brennwald	D14/205

D602,002	S *	10/2009	Asai	D14/206
D604,266	S *	11/2009	Milde	D14/205
D638,397	S *	5/2011	McManigal	D14/205
D641,725	S *	7/2011	Chong	D14/205
D641,727	S *	7/2011	Krauss	D14/206
D649,528	S *	11/2011	Park	D14/205
8,085,966	B2 *	12/2011	Amsel	H04R 1/025 381/370
D652,017	S *	1/2012	Groves	D14/206
D654,472	S *	2/2012	Fischer	D14/206
D662,490	S *	6/2012	McSweyn	D14/205
D672,745	S *	12/2012	Abed	D14/205
D673,522	S *	1/2013	Iijima	D14/205

(Continued)

FOREIGN PATENT DOCUMENTS

CN	304386424	*	12/2017
EM	006786422-0001	*	8/2019

(Continued)

Primary Examiner — Paula Allen Greene

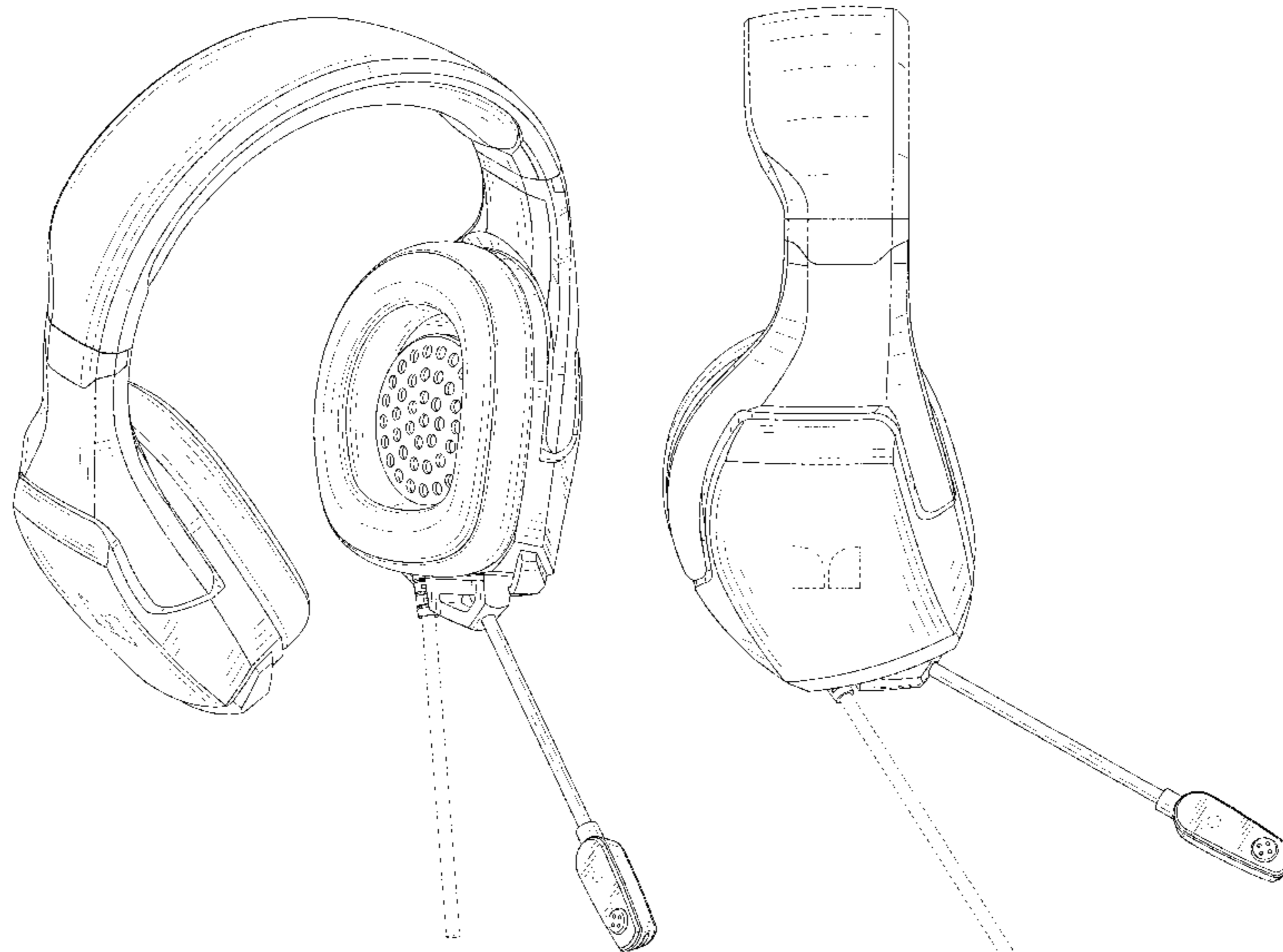
(57) **CLAIM**

The ornamental design for a headset, as shown and described.

DESCRIPTION

FIG. 1 is a perspective view of a headset showing my new design;
 FIG. 2 is another perspective view thereof;
 FIG. 3 is a front elevational view thereof;
 FIG. 4 is a rear elevational view thereof;
 FIG. 5 is a left side elevational view thereof;
 FIG. 6 is a right side elevational view thereof;
 FIG. 7 is a top plan view thereof; and,
 FIG. 8 is a bottom plan view thereof.
 The broken lines immediately adjacent the shaded surfaces represent the bounds of the claimed design while all other broken lines are directed to environment; the broken lines form no part of the claimed design.

1 Claim, 8 Drawing Sheets



(56)

References Cited

U.S. PATENT DOCUMENTS

D673,524 S * 1/2013 Brennwald D14/206
 D690,284 S * 9/2013 Brennwald D14/205
 D691,111 S * 10/2013 Lee D14/206
 D699,216 S * 2/2014 Bonahoom D14/205
 D713,375 S * 9/2014 Dedinas D14/206
 D716,256 S * 10/2014 Ang D14/205
 D717,764 S * 11/2014 Lee D14/205
 D724,561 S * 3/2015 Ko D14/205
 D727,278 S * 4/2015 Solomon D14/205
 D733,677 S * 7/2015 Ling D14/206
 D734,736 S * 7/2015 Jin D14/206
 D739,843 S * 9/2015 Daniel D14/205
 D741,286 S * 10/2015 Brennwald D14/205
 D745,859 S * 12/2015 Kiuchi D14/205
 D746,793 S * 1/2016 Logan D14/206
 D752,018 S * 3/2016 Gondo D14/205
 D766,207 S * 9/2016 Paterson D14/205
 D766,208 S * 9/2016 Paterson D14/205
 D778,258 S * 2/2017 Hsu D14/205
 D788,071 S * 5/2017 Logan D14/205
 D791,734 S * 7/2017 Ou D14/206
 D815,614 S * 4/2018 Tzeng D14/205
 D820,813 S * 6/2018 Sharp D14/206
 D824,362 S * 7/2018 Probst D14/206
 D841,620 S * 2/2019 Liu D14/206
 10,250,966 B2 * 4/2019 Zheng H04R 1/1016
 D851,063 S * 6/2019 Deng D14/206
 D853,988 S * 7/2019 Wang D14/206
 D856,967 S * 8/2019 Tang D14/206
 D856,968 S * 8/2019 Tang D14/206
 D856,969 S * 8/2019 Tang D14/206
 D856,970 S * 8/2019 Tang D14/206
 D856,971 S * 8/2019 Tang D14/206
 D857,656 S * 8/2019 Ipsen D14/206

D857,657 S * 8/2019 Skinner D14/206
 D864,156 S * 10/2019 Liu D14/206
 D866,515 S * 11/2019 Long D14/206
 D868,030 S * 11/2019 Chong D14/206
 D868,734 S * 12/2019 Wang D14/206
 D870,696 S * 12/2019 Deng D14/206
 D870,698 S * 12/2019 Long D14/206
 D877,116 S * 3/2020 Liu D14/206
 D880,450 S * 4/2020 Liu D14/206
 D881,157 S * 4/2020 Chen D14/205
 D907,004 S * 1/2021 Zhou D14/206
 D908,110 S * 1/2021 Zhou D14/206
 D909,337 S * 2/2021 Liu D14/206
 D910,595 S * 2/2021 Shen D14/206
 D915,348 S * 4/2021 He D14/206
 D916,681 S * 4/2021 He D14/205
 D927,456 S * 8/2021 Paterson D14/206
 2009/0003616 A1 * 1/2009 Kleinschmidt H04R 1/1083
 381/71.6
 2010/0135515 A1 * 6/2010 Walsh H04R 1/1008
 381/374
 2013/0136293 A1 * 5/2013 Lee H04R 5/0335
 381/378
 2016/0286019 A1 * 9/2016 Broadley H04M 1/72412
 2019/0069065 A1 * 2/2019 Brace H04R 1/1058
 2019/0189106 A1 * 6/2019 Hull H04R 1/1008
 2020/0288234 A1 * 9/2020 Fletcher H04R 1/1008

FOREIGN PATENT DOCUMENTS

EM 008321947-0001 * 12/2020
 EM 008450530-0001 * 3/2021
 EM 008472153-0001 * 3/2021
 EM 008486732-0001 * 4/2021
 GB 9008339303-0001 * 12/2020

* cited by examiner

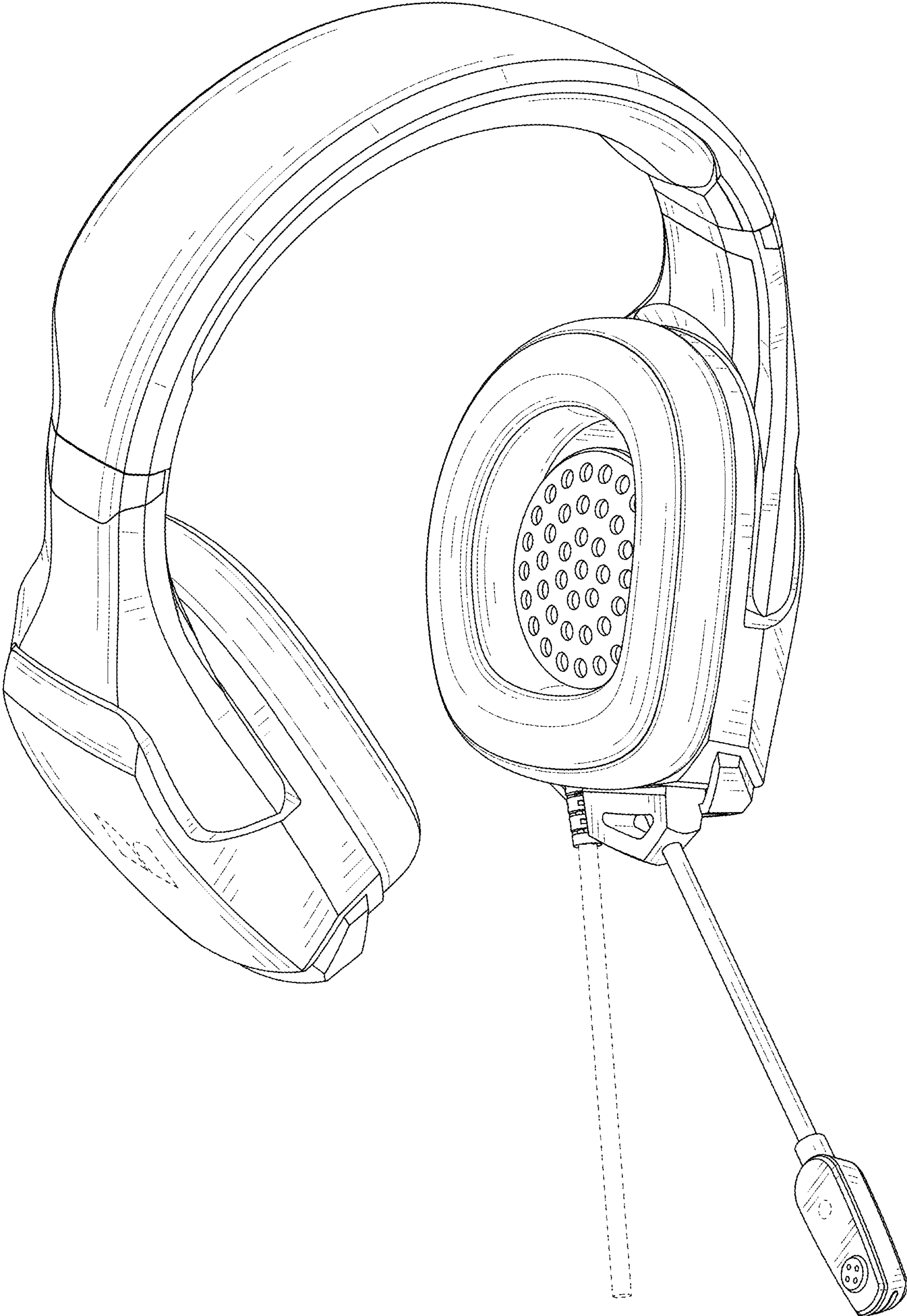


FIG. 1

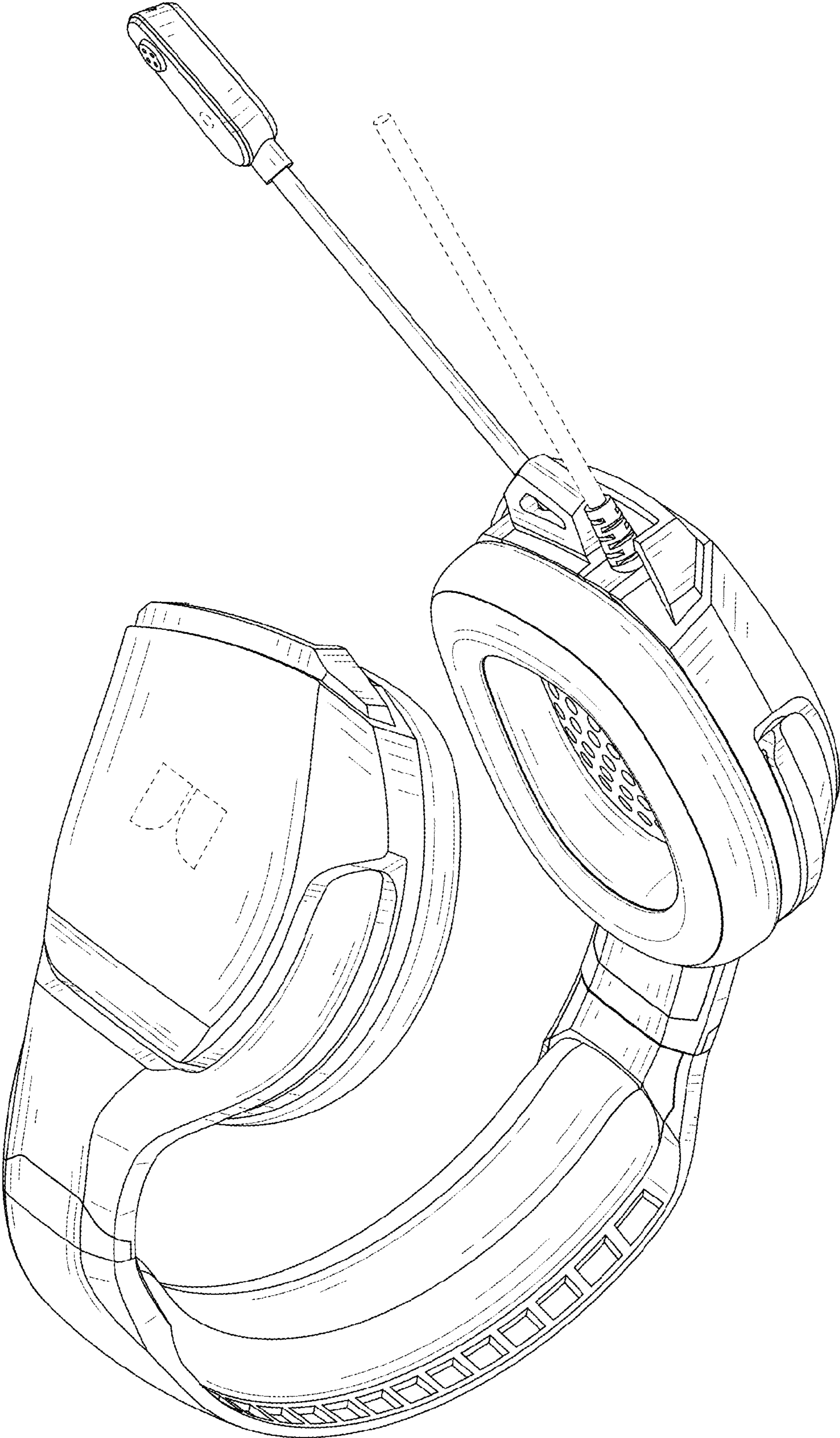


FIG. 2

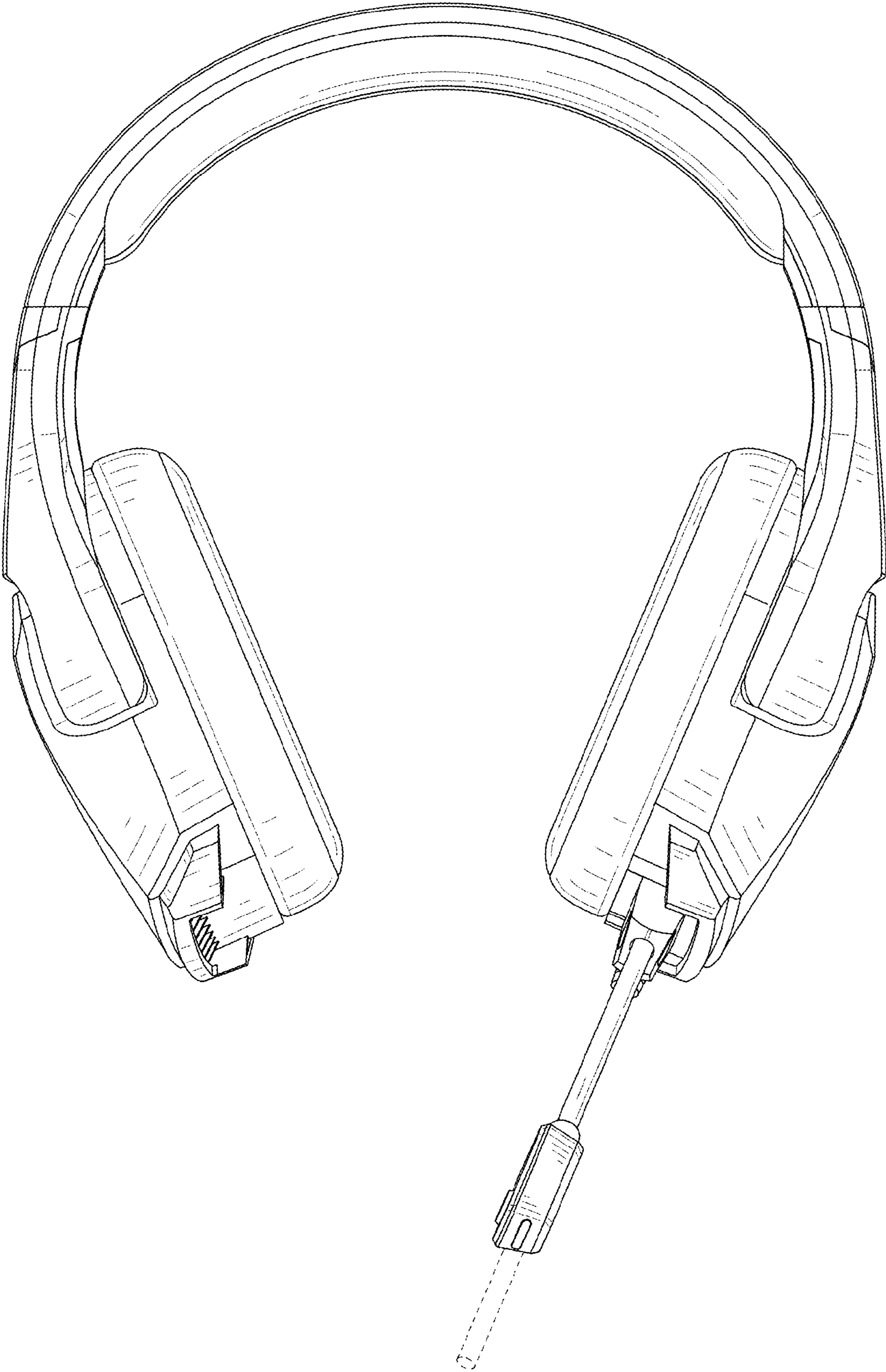


FIG. 3



FIG. 4

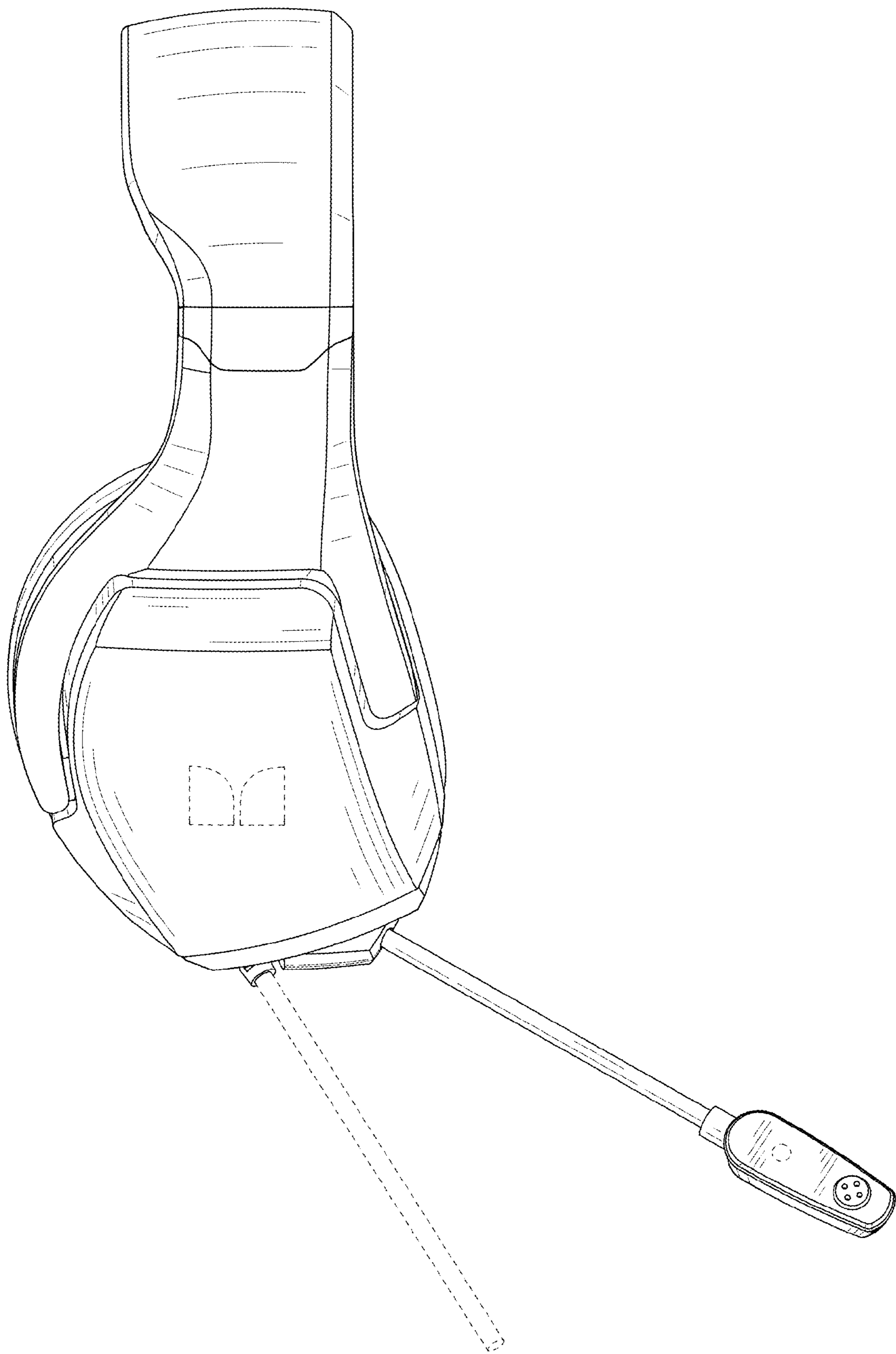


FIG. 5

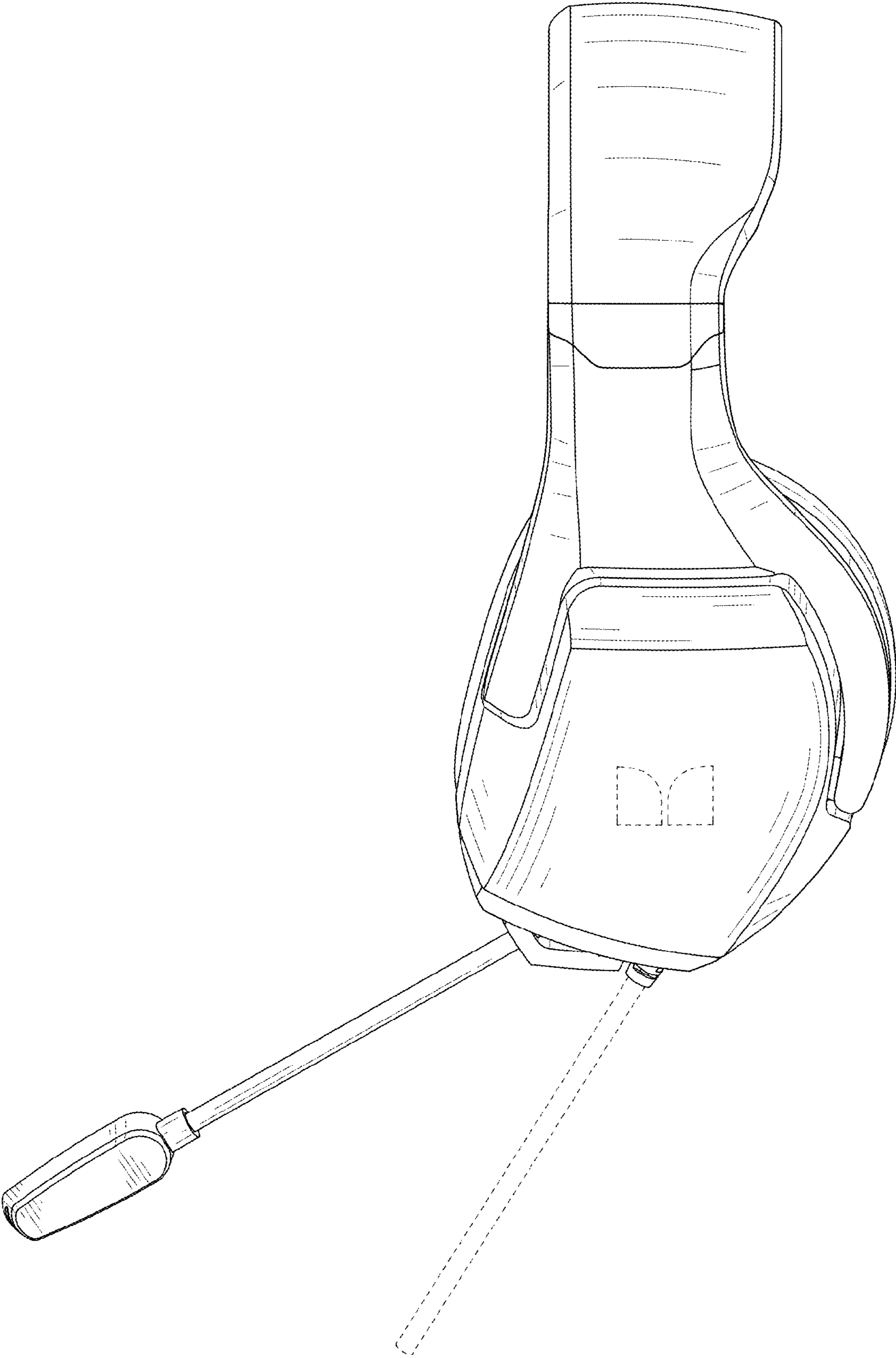


FIG. 6

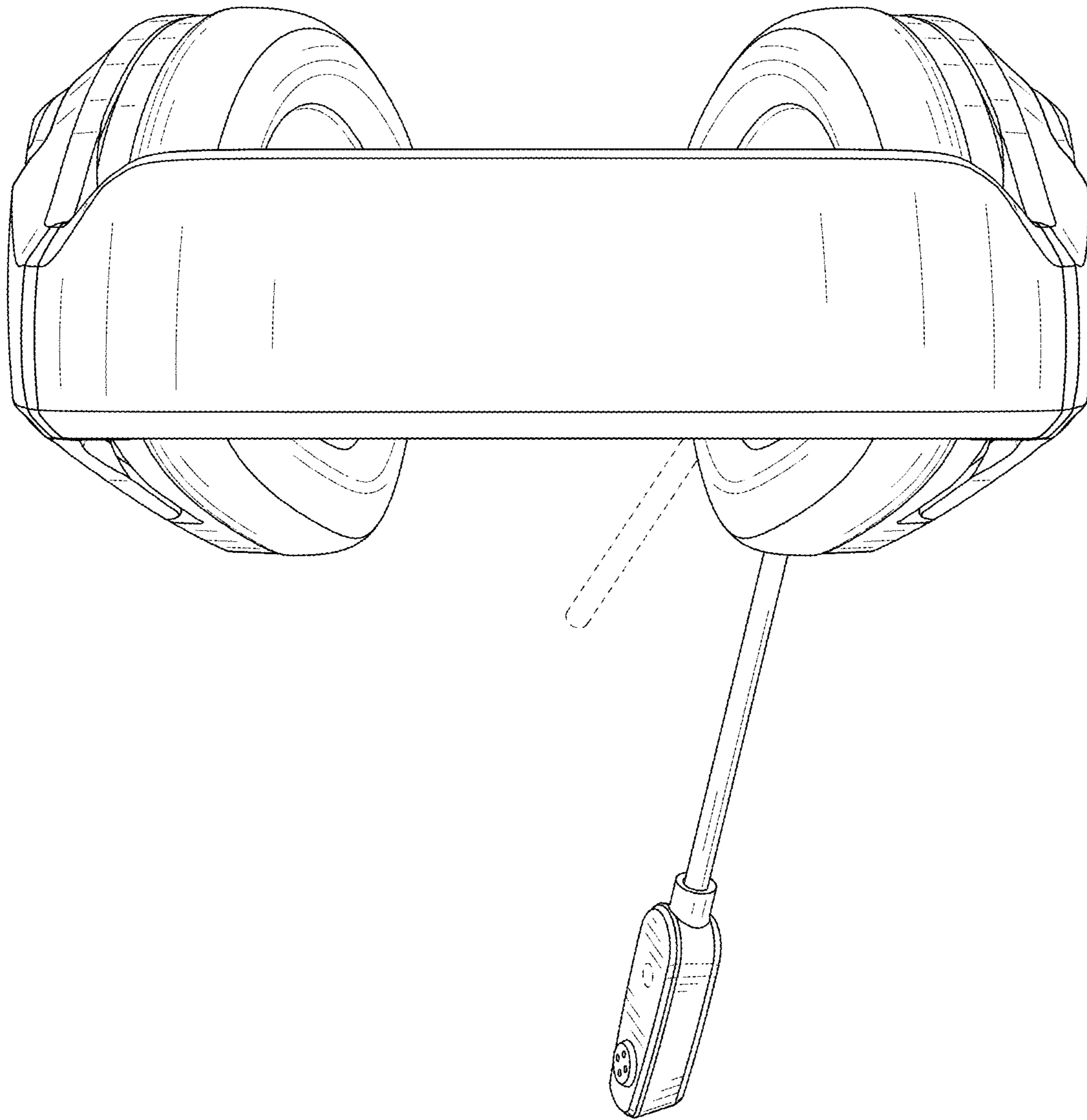


FIG. 7

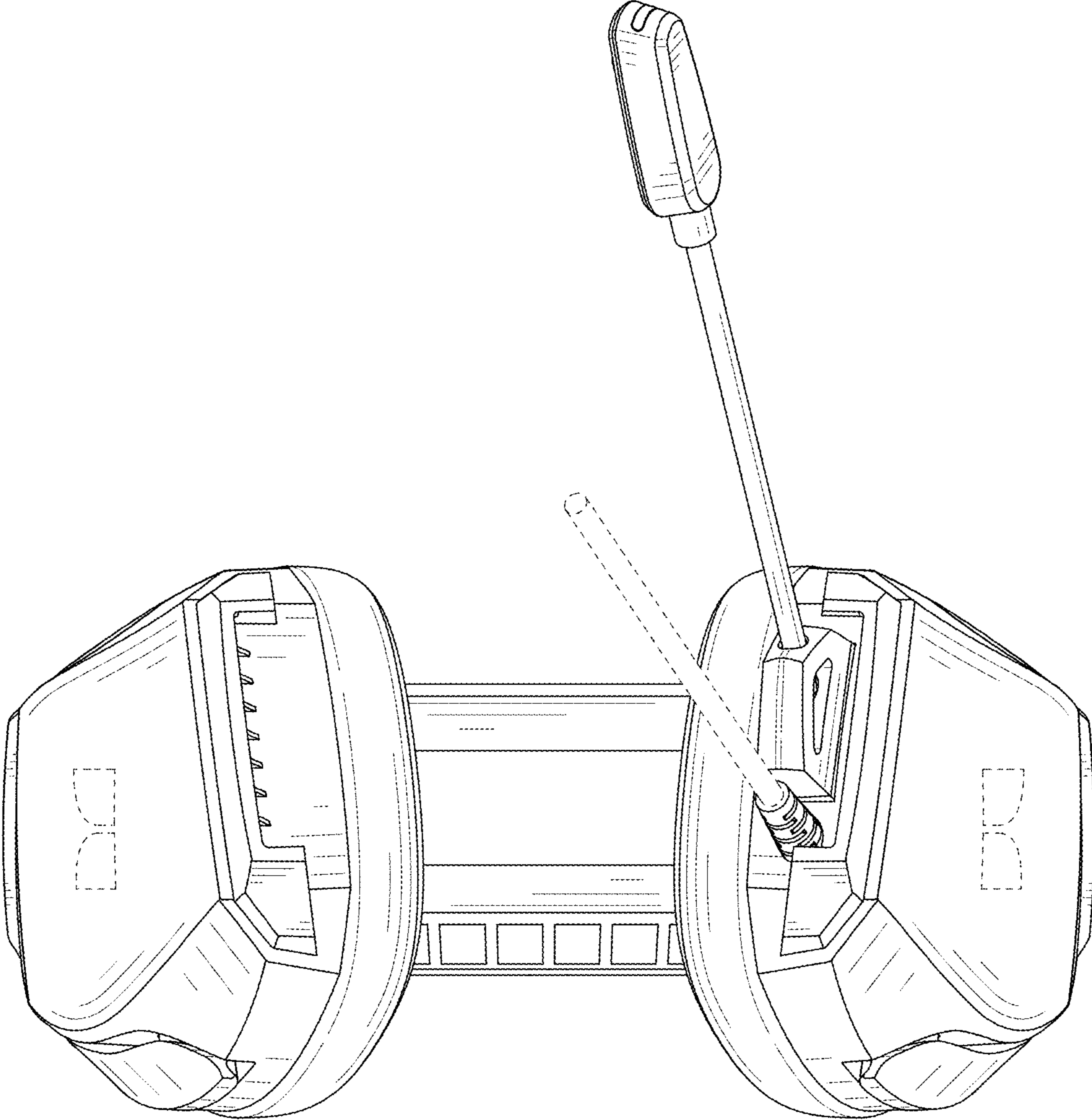


FIG. 8