



US00D937807S

(12) **United States Design Patent**  
**Tong**

(10) **Patent No.:** **US D937,807 S**

(45) **Date of Patent:** **\*\* Dec. 7, 2021**

- (54) **HEADPHONE**
- (71) Applicant: **RAZER (ASIA-PACIFIC) PTE. LTD.,**  
Singapore (SG)
- (72) Inventor: **Ien Yu Tong,** Singapore (SG)
- (73) Assignee: **RAZER (ASIA-PACIFIC) PTE. LTD.,**  
Singapore (SG)
- (\*\*) Term: **15 Years**
- (21) Appl. No.: **29/795,058**
- (22) Filed: **Jun. 16, 2021**

- 3,787,899 A \* 1/1974 Krawagna ..... H04R 1/1066  
2/209
- D233,444 S 10/1974 Christian
- D246,519 S \* 11/1977 Kato ..... D14/205
- 4,420,657 A 12/1983 Larkin
- 4,459,707 A \* 7/1984 Stallings ..... A61F 11/14  
181/129
- 4,547,171 A 10/1985 Horimoto
- 4,689,822 A \* 8/1987 Houng ..... H04R 1/1066  
381/371
- 5,018,599 A \* 5/1991 Dohi ..... H04R 1/1008  
181/129
- 5,035,005 A \* 7/1991 Hung ..... H04R 1/1066  
2/209

(Continued)

**Related U.S. Application Data**

- (60) Continuation of application No. 29/780,069, filed on Apr. 22, 2021, now Pat. No. Des. 926,154, which is a division of application No. 29/767,507, filed on Jan. 22, 2021, now Pat. No. Des. 920,954, which is a division of application No. 29/707,477, filed on Sep. 27, 2019, now Pat. No. Des. 914,635.
- (51) **LOC (13) Cl.** ..... **14-01**
- (52) **U.S. Cl.**  
USPC ..... **D14/205**
- (58) **Field of Classification Search**  
USPC ..... D14/205, 206, 188, 192, 219; D29/112;  
2/209; 381/380, 381, 374; 455/90.3,  
455/575.1, 569.1  
CPC ..... H04R 25/00; H04R 25/02; H04R 1/1066;  
H04R 1/1016; H04R 5/033; H04R  
5/0335; H04R 1/10; H04R 1/1091  
See application file for complete search history.

(56) **References Cited**

**U.S. PATENT DOCUMENTS**

- D155,702 S 10/1949 Ganine
- D166,603 S 4/1952 Hartman
- D180,052 S 4/1957 Young

**FOREIGN PATENT DOCUMENTS**

- CN 306149355 9/2019
- CN 306402067 3/2021

(Continued)

*Primary Examiner* — Paula Allen Greene  
(74) *Attorney, Agent, or Firm* — Polsinelli PC

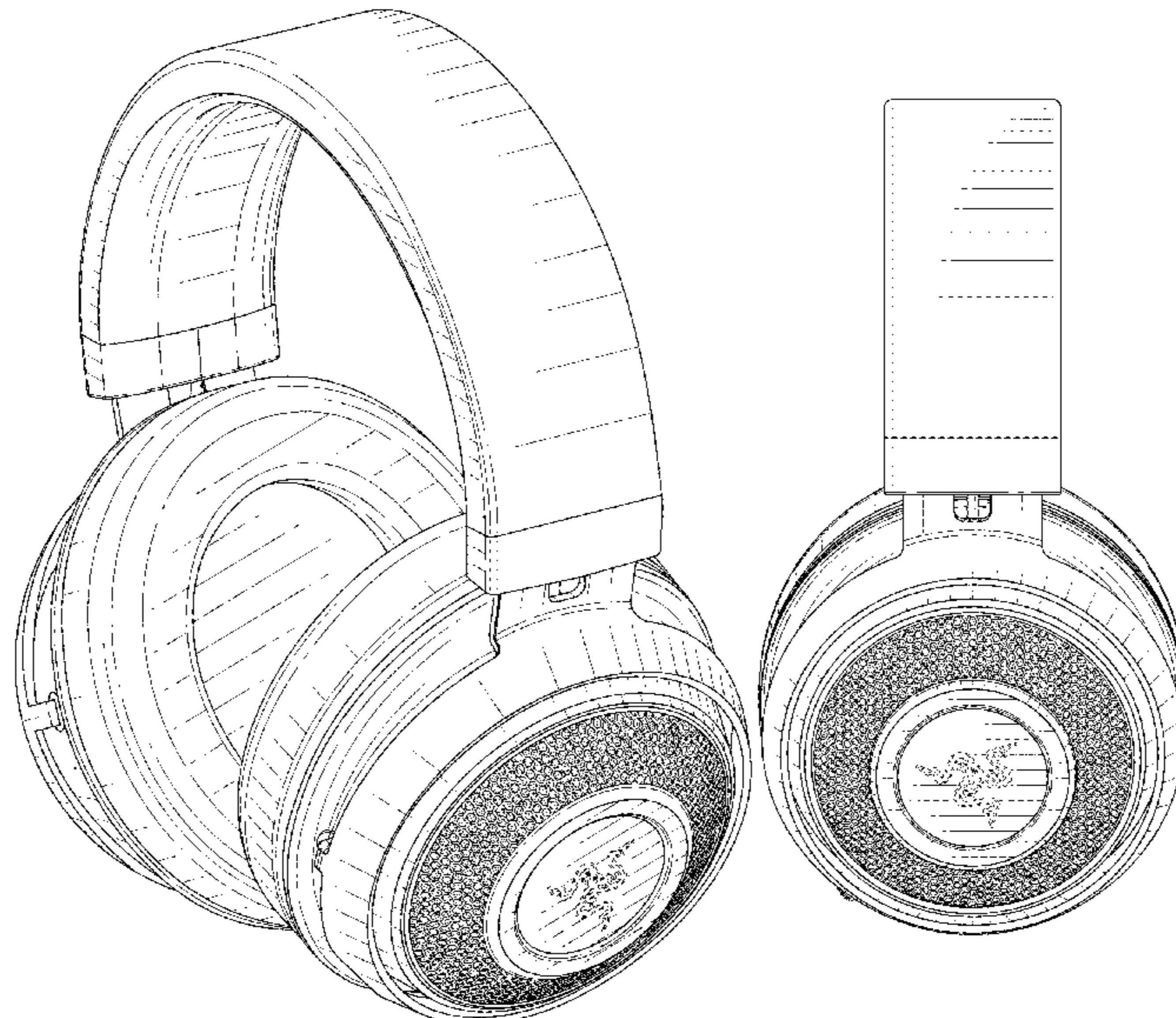
(57) **CLAIM**

I claim the ornamental design for a headphone, as shown and described.

**DESCRIPTION**

FIG. 1 is a perspective view of a headphone; FIG. 2 is a front elevational view thereof; FIG. 3 is a rear elevational view thereof; FIG. 4 is a left side elevational view thereof; FIG. 5 is a right side elevational view thereof; FIG. 6 is a top plan view thereof; and, FIG. 7 is a bottom plan view thereof. The broken lines immediately adjacent the shaded areas represent the bounds of the claimed design while all other broken lines are directed to environment that form no part of the claimed design.

**1 Claim, 6 Drawing Sheets**



(56)

## References Cited

## U.S. PATENT DOCUMENTS

- D337,116 S 7/1993 Hattori  
D345,163 S \* 3/1994 Yamatogi ..... D14/205  
D366,045 S 1/1996 Hirschhorn  
D376,598 S \* 12/1996 Hayashi ..... D14/205  
D380,023 S 6/1997 Sisler  
D385,885 S 11/1997 Liao  
5,793,878 A \* 8/1998 Chang ..... H04R 5/0335  
381/370  
5,862,241 A \* 1/1999 Nelson ..... H04R 1/1066  
381/379  
D410,466 S \* 6/1999 Mouri ..... D14/205  
6,006,115 A \* 12/1999 Wingate ..... H04M 1/6033  
379/110.01  
D420,356 S \* 2/2000 Suzuki ..... D14/205  
D435,249 S \* 12/2000 Yasutomi ..... D14/205  
6,212,282 B1 4/2001 Mershon  
6,263,085 B1 \* 7/2001 Wetter ..... H04R 1/1075  
379/430  
6,560,346 B2 5/2003 Ohta et al.  
D479,227 S 9/2003 Marshall  
D481,375 S 10/2003 Suzuki  
D482,393 S 11/2003 Hui  
6,654,966 B2 \* 12/2003 Rolla ..... H04R 1/1066  
2/209  
6,980,165 B2 \* 12/2005 Yuasa ..... H01Q 1/273  
343/718  
D518,479 S 4/2006 Skulley  
7,103,392 B2 9/2006 Fletcher et al.  
7,172,052 B2 2/2007 Lenhard-Backhaus  
D540,301 S \* 4/2007 Obata ..... D14/205  
D567,215 S \* 4/2008 Lee ..... D14/205  
D578,508 S 10/2008 Wang  
D585,871 S 2/2009 Lee  
D589,492 S 3/2009 Mistry  
D602,908 S 10/2009 Ham  
D603,370 S 11/2009 Suzuki  
D623,627 S 9/2010 Alden et al.  
D633,471 S 3/2011 Sugiyama  
D641,003 S 7/2011 Alden  
D642,554 S 8/2011 Schaal et al.  
D643,065 S 8/2011 van der Lande  
D650,356 S 12/2011 Alden et al.  
D657,007 S 4/2012 O'Leary  
D662,080 S 6/2012 Carr et al.  
D665,776 S 8/2012 Alden et al.  
D665,777 S 8/2012 Alden et al.  
D667,388 S 9/2012 Kelley  
D673,136 S 12/2012 Kelly et al.  
D674,372 S 1/2013 Kelly et al.  
D677,241 S 3/2013 Kelly et al.  
D677,243 S 3/2013 Kitayama et al.  
D683,717 S 6/2013 Kelly et al.  
D689,464 S 9/2013 Bonahoom  
D691,113 S 10/2013 Gougherty et al.  
D691,582 S 10/2013 Nguyen et al.  
D693,793 S 11/2013 Kelly et al.  
D699,216 S 2/2014 Bonahoom et al.  
D699,702 S \* 2/2014 Chen ..... D14/205  
D701,193 S 3/2014 Kelly et al.  
D706,241 S 6/2014 Szymanski et al.  
D707,654 S 6/2014 Nguyen et al.  
D717,764 S 11/2014 Lee et al.  
D719,136 S 12/2014 Schaal et al.  
D721,052 S 1/2015 Carr et al.  
D727,283 S 4/2015 Dryden et al.  
D728,512 S \* 5/2015 Nakagawa ..... D14/205  
D729,196 S 5/2015 Liu  
D732,000 S 6/2015 Brunner et al.  
D733,092 S 6/2015 Gan  
D734,297 S \* 7/2015 Sasaki ..... D14/205  
D736,150 S 8/2015 Liu  
D741,007 S 10/2015 McNama  
D741,289 S 10/2015 Schaal et al.  
D746,790 S \* 1/2016 Strasberg ..... D14/205  
D757,679 S 5/2016 Yan et al.  
D757,680 S 5/2016 Kelly et al.  
D758,337 S 6/2016 Szymanski  
D758,508 S 6/2016 Chuang  
D760,687 S \* 7/2016 Brunner ..... D14/205  
D761,761 S \* 7/2016 Ando ..... D14/205  
D763,223 S \* 8/2016 Czaniecki ..... D14/205  
D765,055 S \* 8/2016 Hsieh ..... D14/205  
D766,870 S \* 9/2016 Catalano ..... D14/205  
D777,701 S \* 1/2017 Czaniecki ..... D14/205  
D784,956 S \* 4/2017 Homewood ..... D14/205  
D787,470 S 5/2017 Kelly et al.  
D789,327 S \* 6/2017 Miyake ..... D14/205  
D791,103 S \* 7/2017 Brunner ..... D14/205  
D791,733 S \* 7/2017 Brunner ..... D14/205  
D795,837 S 8/2017 Cai  
D800,691 S \* 10/2017 Ando ..... D14/205  
D801,948 S 11/2017 Picunko  
D805,055 S 12/2017 Kelly et al.  
D806,685 S \* 1/2018 Park ..... D14/223  
D811,364 S \* 2/2018 Park ..... D14/205  
D811,365 S 2/2018 Czaniecki  
D813,195 S 3/2018 Huang  
D815,600 S 4/2018 Matsuoka et al.  
D815,614 S 4/2018 Tzeng  
D816,061 S \* 4/2018 Ando ..... D14/205  
D817,303 S 5/2018 Tragatschnig  
D824,461 S 7/2018 Chinn  
10,021,487 B2 7/2018 Yan et al.  
D826,210 S \* 8/2018 Chong ..... D14/205  
D828,326 S 9/2018 Ye  
D834,260 S 11/2018 Garcia Mansilla et al.  
D840,370 S 2/2019 Kelly et al.  
D851,624 S 6/2019 Huang  
D851,625 S 6/2019 Mackiewicz et al.  
D851,627 S 6/2019 ter Laag et al.  
D852,776 S \* 7/2019 Zhu ..... D14/205  
D852,777 S \* 7/2019 Park ..... D14/206  
D854,513 S \* 7/2019 Miyake ..... D14/205  
D856,303 S \* 8/2019 Ando ..... D14/205  
D857,122 S 8/2019 Buonocore  
D858,483 S \* 9/2019 Hu ..... D14/205  
D863,253 S 10/2019 He  
D864,963 S 10/2019 Luo  
D868,026 S 11/2019 Hardi et al.  
D869,433 S 12/2019 Huan  
D869,437 S \* 12/2019 Hu ..... D14/205  
D871,367 S \* 12/2019 Zhijun ..... D14/205  
D876,388 S \* 2/2020 Carr ..... D14/205  
D877,714 S \* 3/2020 Dhondt ..... D14/205  
D879,065 S \* 3/2020 Chan ..... D14/205  
D879,066 S 3/2020 Chen  
D879,741 S 3/2020 Hu  
D879,742 S \* 3/2020 Hu ..... D14/205  
D883,071 S 5/2020 Pratt  
D883,252 S 5/2020 Tong  
D884,669 S 5/2020 Zhong  
D887,391 S \* 6/2020 Chong ..... D14/205  
D889,431 S 7/2020 Huang  
D890,124 S 7/2020 ShiXing  
D892,080 S 8/2020 Krakovski  
D896,203 S 9/2020 Tong  
D902,176 S 11/2020 Huang  
D909,989 S 2/2021 Lu  
D910,592 S \* 2/2021 Luo ..... D14/205  
D913,988 S \* 3/2021 Bellham ..... D14/205  
D914,635 S \* 3/2021 Tong ..... D14/205  
D916,048 S 4/2021 Meyer et al.  
D917,420 S \* 4/2021 Zheng ..... D14/205  
D920,953 S \* 6/2021 Tong ..... D14/205  
D920,954 S \* 6/2021 Tong ..... D14/205  
D922,978 S \* 6/2021 Brunner ..... D14/205  
D926,154 S \* 7/2021 Tong ..... D14/206  
D928,114 S \* 8/2021 Terazaki ..... D14/205  
2004/0204177 A1 10/2004 Pon  
2004/0213428 A1 10/2004 Lenhard-Backhaus  
2006/0027245 A1 2/2006 Spector  
2008/0069391 A1 \* 3/2008 Steyn ..... H04R 1/1083  
381/371

(56)

**References Cited**

U.S. PATENT DOCUMENTS

2009/0032051 A1 2/2009 Defenbaugh et al.  
2010/0177907 A1 7/2010 Morisawa  
2010/0310093 A1 12/2010 Semcken  
2011/0002478 A1 1/2011 Pollard et al.  
2013/0343591 A1\* 12/2013 Brunner ..... H04R 1/1075  
381/371  
2014/0056459 A1 2/2014 Oishi et al.  
2016/0088383 A1 3/2016 Yan et al.  
2016/0322756 A1 11/2016 Tsai et al.

FOREIGN PATENT DOCUMENTS

EM 004669943-0001 1/2018  
EM 006929642-0001 4/2019  
EM 006597175-0001 \* 6/2019  
EM 006929642-0001 9/2019  
EM 006934345-0001 \* 9/2019  
EM 007224365-0002 11/2019  
EM 007685730-0001 2/2020  
EM 008160840-0001 9/2020  
EM 008276281-0001 11/2020  
EM 008641369-0003 \* 8/2021  
GB 6103038 10/2020

\* cited by examiner

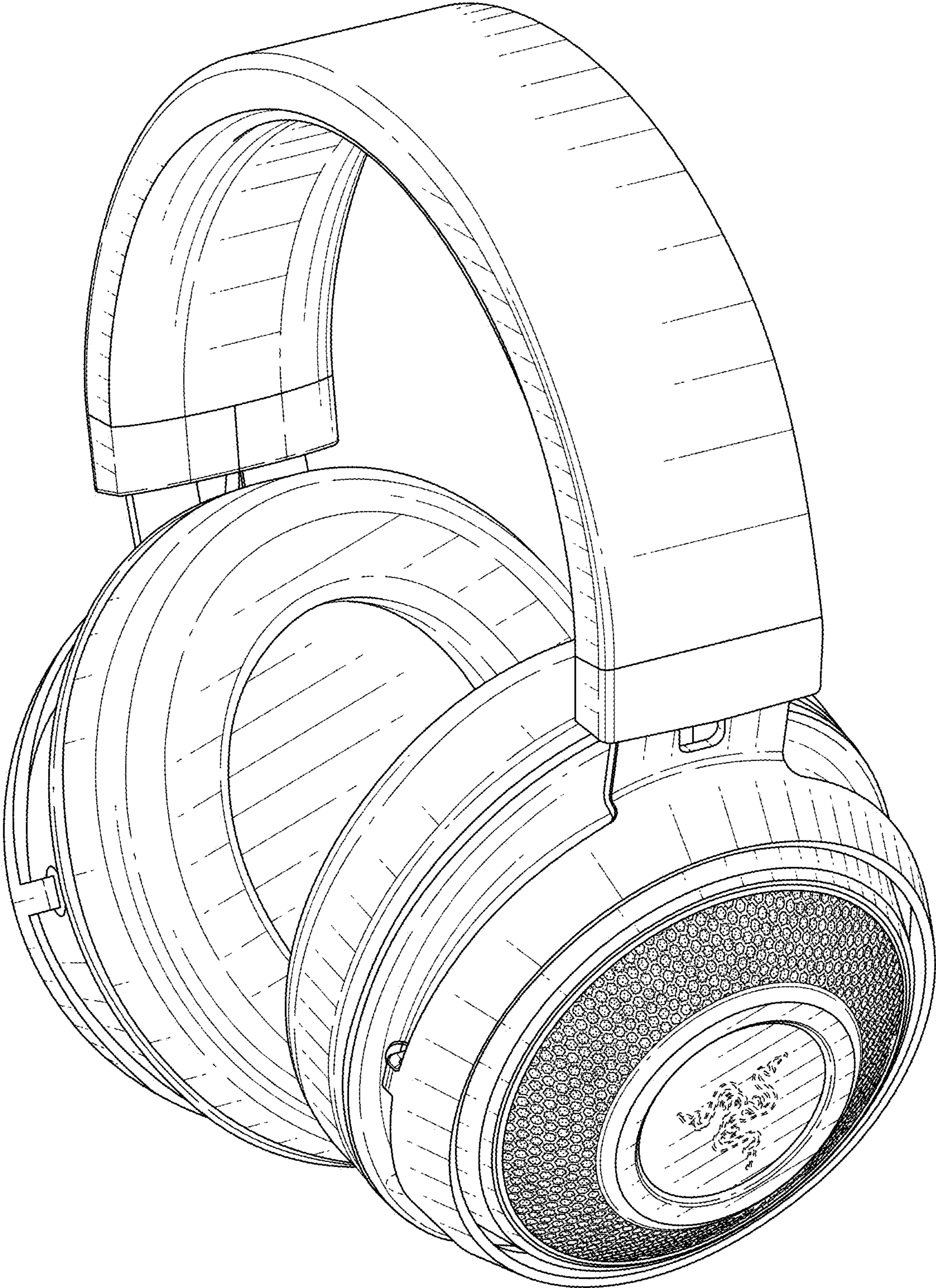


FIG. 1



FIG. 2



**FIG. 3**

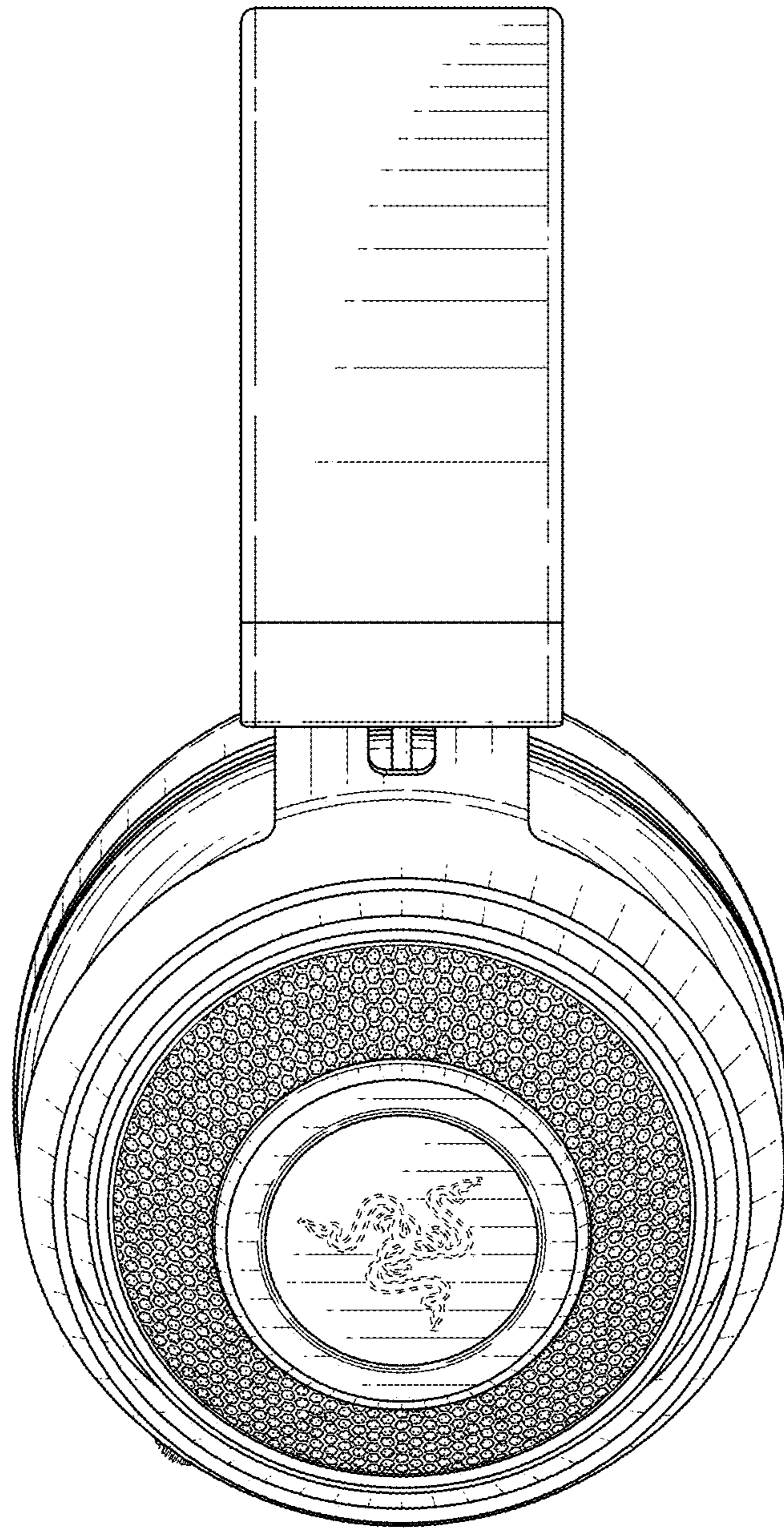


FIG. 4

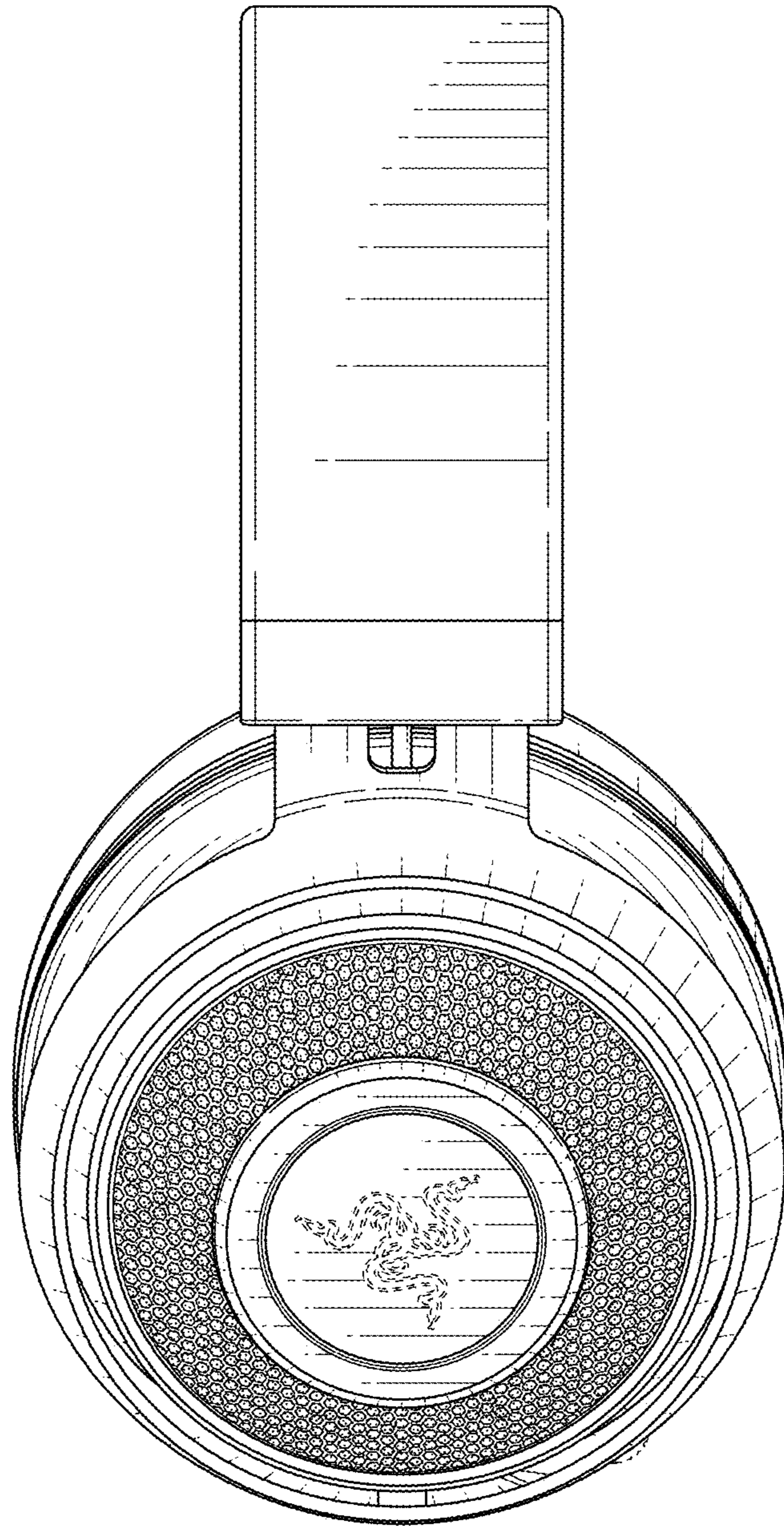


FIG. 5



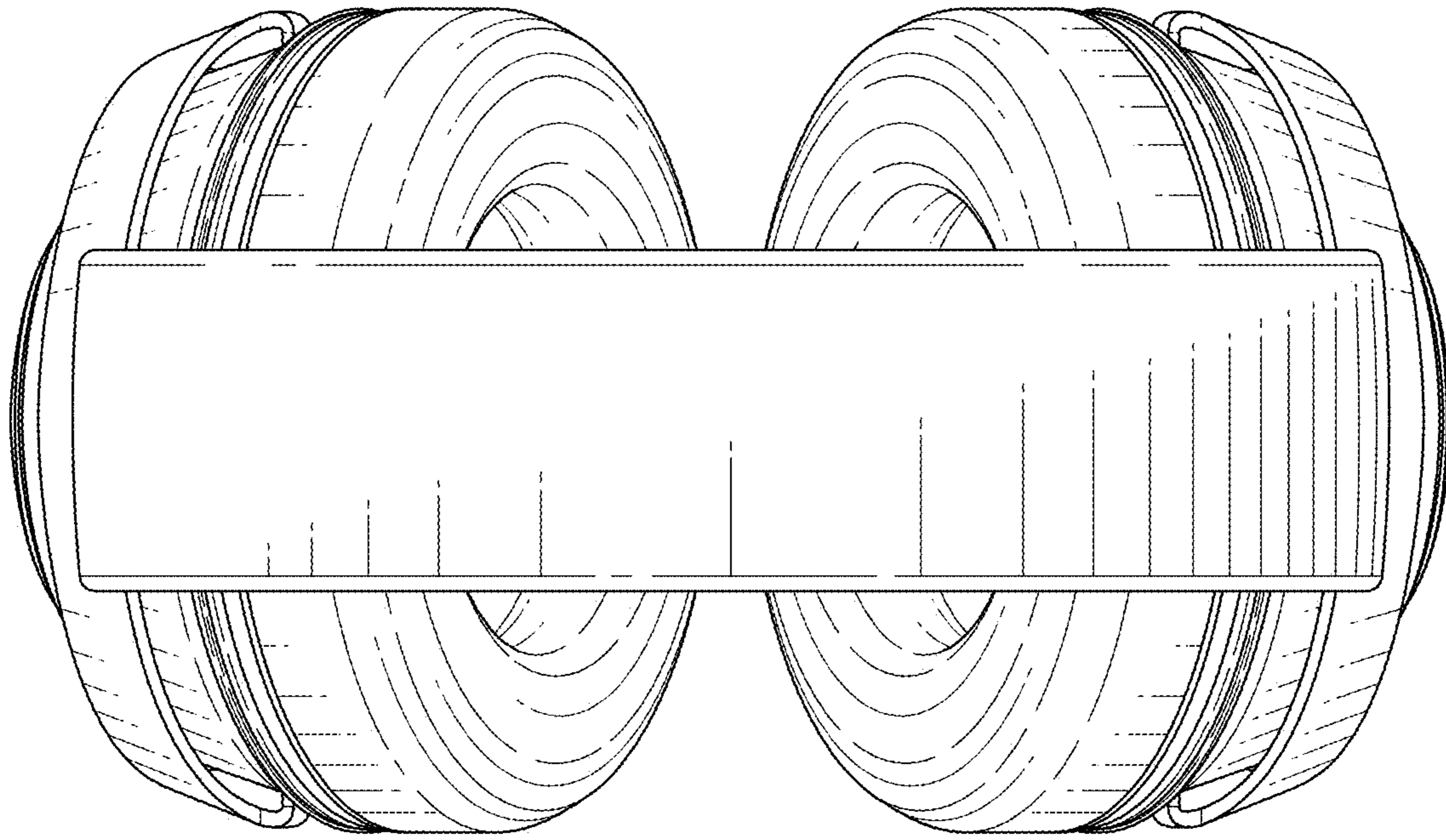


FIG. 6

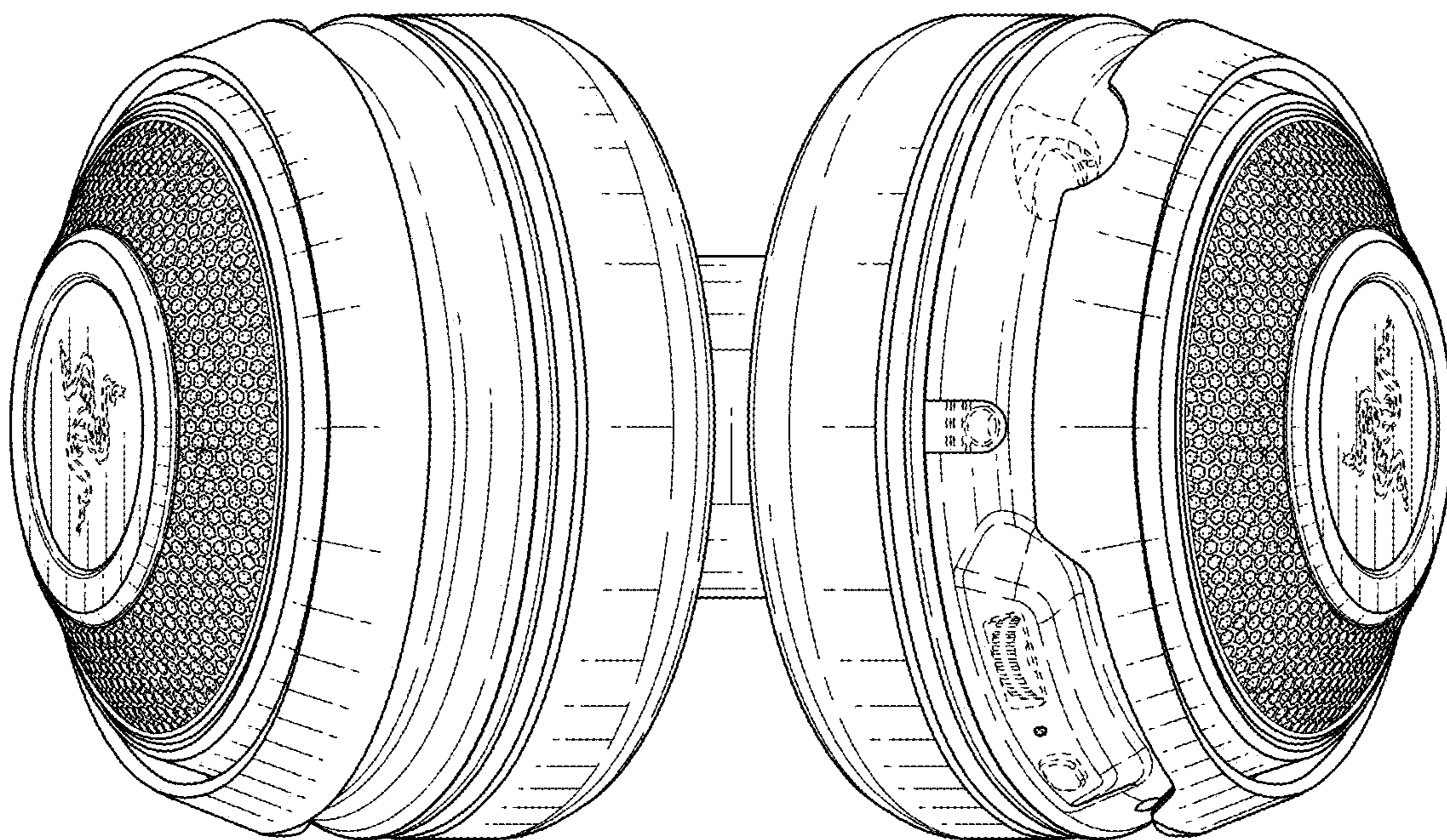


FIG. 7