



US00D937806S

(12) **United States Design Patent** (10) **Patent No.:** **US D937,806 S**
Akana et al. (45) **Date of Patent:** **** Dec. 7, 2021**

(54) **HEADPHONES**

(71) Applicant: **Apple Inc.**, Cupertino, CA (US)

(72) Inventors: **Jody Akana**, San Francisco, CA (US); **Molly Anderson**, San Francisco, CA (US); **Bartley K. Andre**, Palo Alto, CA (US); **Shota Aoyagi**, San Francisco, CA (US); **Anthony Michael Ashcroft**, San Francisco, CA (US); **Marine C. Bataille**, San Francisco, CA (US); **Jeremy Bataillou**, San Francisco, CA (US); **Abidur Rahman Chowdhury**, San Francisco, CA (US); **Clara Geneviève Marine Courtaigne**, Palo Alto, CA (US); **Markus Diebel**, San Francisco, CA (US); **Jonathan Gomez Garcia**, San Francisco, CA (US); **M. Evans Hankey**, San Francisco, CA (US); **Richard P. Howarth**, San Francisco, CA (US); **Jonathan P. Ive**, San Francisco, CA (US); **Julian Jaede**, San Francisco, CA (US); **Duncan Robert Kerr**, San Francisco, CA (US); **Peter Russell-Clarke**, San Francisco, CA (US); **Benjamin Andrew Shaffer**, San Jose, CA (US); **Sung-Ho Tan**, San Francisco, CA (US); **Clement Tissandier**, San Francisco, CA (US); **Eugene Antony Whang**, San Francisco, CA (US)

(73) Assignee: **Apple Inc.**, Cupertino, CA (US)

(**) Term: **15 Years**

(21) Appl. No.: **29/779,423**

(22) Filed: **Apr. 19, 2021**

Related U.S. Application Data

(63) Continuation of application No. 29/731,849, filed on Apr. 17, 2020, now Pat. No. Des. 916,680.

(51) **LOC (13) Cl.** **14-01**

(52) **U.S. Cl.**
USPC **D14/205**

(58) **Field of Classification Search**
USPC D14/205, 223, 248, 240, 219; D29/112; 2/209; 381/380, 381, 374; 455/90.3, 455/575.1, 569.1; D5/54, 60, 61
(Continued)

(56) **References Cited**

U.S. PATENT DOCUMENTS

1,329,658 A 2/1920 Gernsback
1,990,420 A * 2/1935 Staff A42B 5/00
2/207

(Continued)

FOREIGN PATENT DOCUMENTS

EM 008028526-0002 7/2020
GB 6103600 * 10/2020

(Continued)

OTHER PUBLICATIONS

U.S. Appl. No. 29/731,847, filed Apr. 17, 2020.
U.S. Appl. No. 29/739,077, filed Jun. 22, 2020.
U.S. Appl. No. 29/746,598, filed Aug. 14, 2020.

Primary Examiner — Paula Allen Greene
(74) *Attorney, Agent, or Firm* — Sterne, Kessler, Goldstein & Fox P.L.L.C.

(57) **CLAIM**

The ornamental design for headphones, as shown and described.

DESCRIPTION

U.S. Design application Ser. No. 29/731,847, filed on Apr. 17, 2020, is also incorporated herein in its entirety by reference thereto.

FIG. 1 is a top front perspective view of headphones showing the claimed design;

FIG. 2 is a bottom rear perspective view thereof;

(Continued)

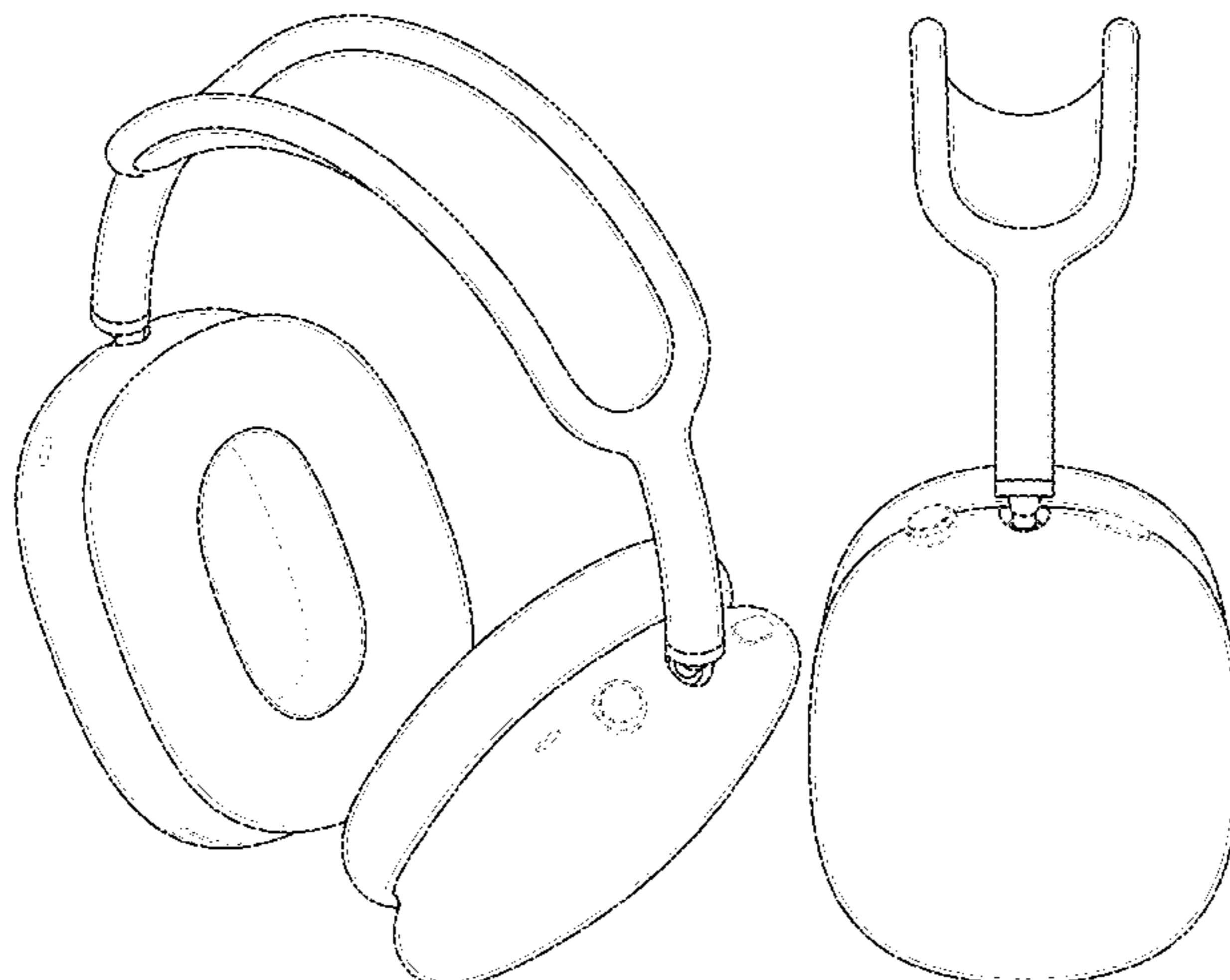


FIG. 3 is a front view thereof;
 FIG. 4 is a rear view thereof;
 FIG. 5 is a left side view thereof;
 FIG. 6 is a right side view thereof;
 FIG. 7 is a top view thereof; and,
 FIG. 8 is a bottom view thereof.
 The broken lines in the figures show portions of the head-
 phones that form no part of the claimed design.

1 Claim, 7 Drawing Sheets

(58) **Field of Classification Search**

CPC H04R 25/00; H04R 1/10; H04R 1/10166;
 H04R 1/1016; H04R 5/033; H04R
 5/0335; H04R 1/1091

See application file for complete search history.

(56) **References Cited**

U.S. PATENT DOCUMENTS

2,175,849 A * 10/1939 Oliner A45D 8/40
 132/274
 3,362,501 A * 1/1968 Lenahan G01N 29/28
 181/141
 3,694,867 A * 10/1972 Stumpf A44B 18/0034
 24/448
 3,952,156 A 4/1976 Lahr
 4,037,064 A * 7/1977 Yasuda H04R 1/08
 381/26
 D254,183 S * 2/1980 Doodson D14/205
 D254,616 S * 4/1980 Tabata D14/205
 D262,019 S * 11/1981 Upshaw D14/205
 D272,904 S * 3/1984 Kawano D14/205
 D274,723 S * 7/1984 Kawachi D14/212
 4,832,150 A * 5/1989 Just B29C 45/14336
 181/150
 D348,466 S * 7/1994 Yamatogi D14/205
 D352,036 S * 11/1994 Sekita D14/192
 D353,818 S * 12/1994 Nakamura D14/205
 5,406,037 A * 4/1995 Nageno H04R 5/0335
 181/129
 D358,391 S * 5/1995 Isono D14/205
 D373,360 S * 9/1996 Kanno D14/205
 D375,312 S * 11/1996 Kanno D14/205
 D376,598 S * 12/1996 Hayashi D14/205
 D423,012 S * 4/2000 Yasutomi D14/205
 D443,872 S * 6/2001 Mori D14/223
 D452,492 S * 12/2001 Mori D14/223
 D457,512 S * 5/2002 Yoneda H04R 5/0335
 D14/205
 D459,337 S * 6/2002 Mori D14/192
 D467,580 S * 12/2002 Mori D14/223
 6,611,963 B2 * 9/2003 Woo A61F 11/14
 2/209
 D484,485 S * 12/2003 Matsuoka D14/205
 6,724,906 B2 * 4/2004 Naksen H04R 1/1066
 381/370
 D502,695 S * 3/2005 Suzuki D14/192
 D508,483 S * 8/2005 Suzuki D14/205
 D510,335 S * 10/2005 Suzuki D14/205
 D517,045 S * 3/2006 Komiyama D14/205
 D517,527 S * 3/2006 Suzuki D14/205
 D519,110 S * 4/2006 Komiyama D14/223
 D519,497 S * 4/2006 Komiyama D14/223
 D520,492 S * 5/2006 Chen D14/205
 D542,774 S * 5/2007 Rausch D14/206
 D549,688 S * 8/2007 Suzuki D14/205
 D552,077 S * 10/2007 Brunner D14/205
 D567,215 S * 4/2008 Lee D14/205
 D567,220 S * 4/2008 Wang D14/206
 7,388,960 B2 * 6/2008 Kuo H04R 1/1041
 379/430

7,457,649 B1 * 11/2008 Wilson H04R 1/1025
 379/428.02
 D588,098 S * 3/2009 Kurihara D14/205
 D598,438 S * 8/2009 Seo D14/248
 D601,124 S * 9/2009 Uchimura D14/205
 D613,266 S * 4/2010 Barry D14/205
 D616,865 S * 6/2010 Marchand D14/205
 7,853,034 B1 * 12/2010 Gresko H04R 5/033
 381/372
 D632,668 S * 2/2011 Brunner D14/205
 D633,896 S * 3/2011 Kondo D14/205
 D637,176 S * 5/2011 Brunner D14/205
 D657,344 S * 4/2012 Brunner D14/205
 D657,345 S * 4/2012 Brunner H04R 1/1008
 D14/205
 D661,685 S * 6/2012 Lee D14/205
 D674,767 S * 1/2013 Brunner D14/205
 D691,582 S * 10/2013 Nguyen H04R 1/1008
 D14/205
 D705,750 S * 5/2014 Wu H04R 1/1066
 D14/205
 D716,760 S * 11/2014 Brunner D14/206
 D736,175 S * 8/2015 Levine D14/205
 D747,290 S * 1/2016 Lee D14/205
 D775,605 S * 1/2017 Lee D14/205
 D778,258 S * 2/2017 Hsu D14/205
 D780,156 S * 2/2017 Petersen D14/205
 D791,734 S * 7/2017 Ou D14/206
 D796,474 S * 9/2017 Treski D14/205
 D811,362 S * 2/2018 Petersen D14/205
 D814,439 S * 4/2018 Birath D14/205
 D826,210 S * 8/2018 Chong D14/205
 D830,993 S * 10/2018 Petersen D14/205
 D843,345 S * 3/2019 Brunner D14/205
 D846,526 S * 4/2019 Spencer D14/205
 D848,973 S * 5/2019 Karacal D14/205
 D851,062 S * 6/2019 Saule D14/205
 D851,622 S * 6/2019 Billaudet D14/205
 10,362,380 B2 * 7/2019 Ito H04R 1/1008
 D857,655 S * 8/2019 Saule D14/205
 D858,481 S * 9/2019 Saule D14/205
 D860,163 S * 9/2019 Xia D14/205
 D867,327 S * 11/2019 Brunner H04S 1/005
 D14/205
 D868,731 S * 12/2019 Jung D14/205
 D871,368 S * 12/2019 Saule D14/205
 D872,049 S * 1/2020 Saule D14/205
 D873,237 S * 1/2020 Ozawa D14/205
 D876,388 S * 2/2020 Carr D14/205
 D878,329 S * 3/2020 Levine D14/205
 D881,840 S * 4/2020 Chen D14/205
 D889,432 S * 7/2020 Brunner D14/205
 D890,123 S * 7/2020 Yoshimura D14/205
 10,721,550 B2 * 7/2020 Bunney H04R 1/1041
 D893,446 S * 8/2020 Rodriguez D14/192
 D900,783 S * 11/2020 Levine D14/205
 D905,001 S * 12/2020 Enqvist D14/205
 D916,680 S * 4/2021 Akana D14/205
 2003/0210801 A1 * 11/2003 Naksen H04R 1/1066
 381/370
 2006/0104471 A1 5/2006 Tsunoda et al.
 2012/0125360 A1 * 5/2012 Hill A45D 8/36
 132/275
 2016/0277828 A1 * 9/2016 Oh H04R 1/105
 2017/0019728 A1 * 1/2017 Cochran H04R 1/1091
 2018/0270556 A1 * 9/2018 Kelley H04R 1/1008
 2020/0053448 A1 * 2/2020 Heaston H04R 5/0335

FOREIGN PATENT DOCUMENTS

GB 6103621 * 10/2020
 JP D1479255 8/2013
 JP D1479204 9/2013
 JP D1557743 S 9/2016
 KR 30-0687072 3/2013
 RU 00124580 * 4/2021

* cited by examiner

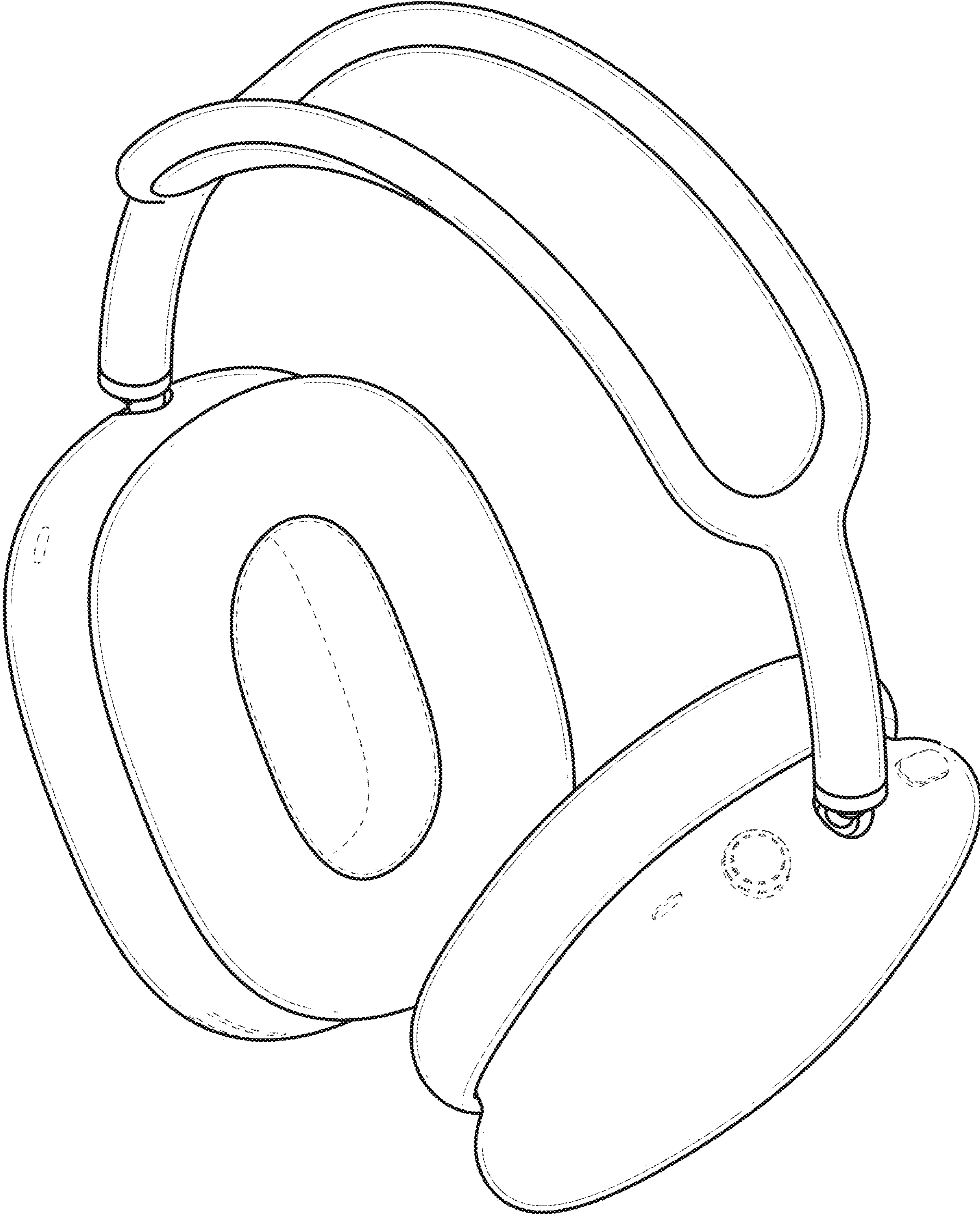


FIG. 1

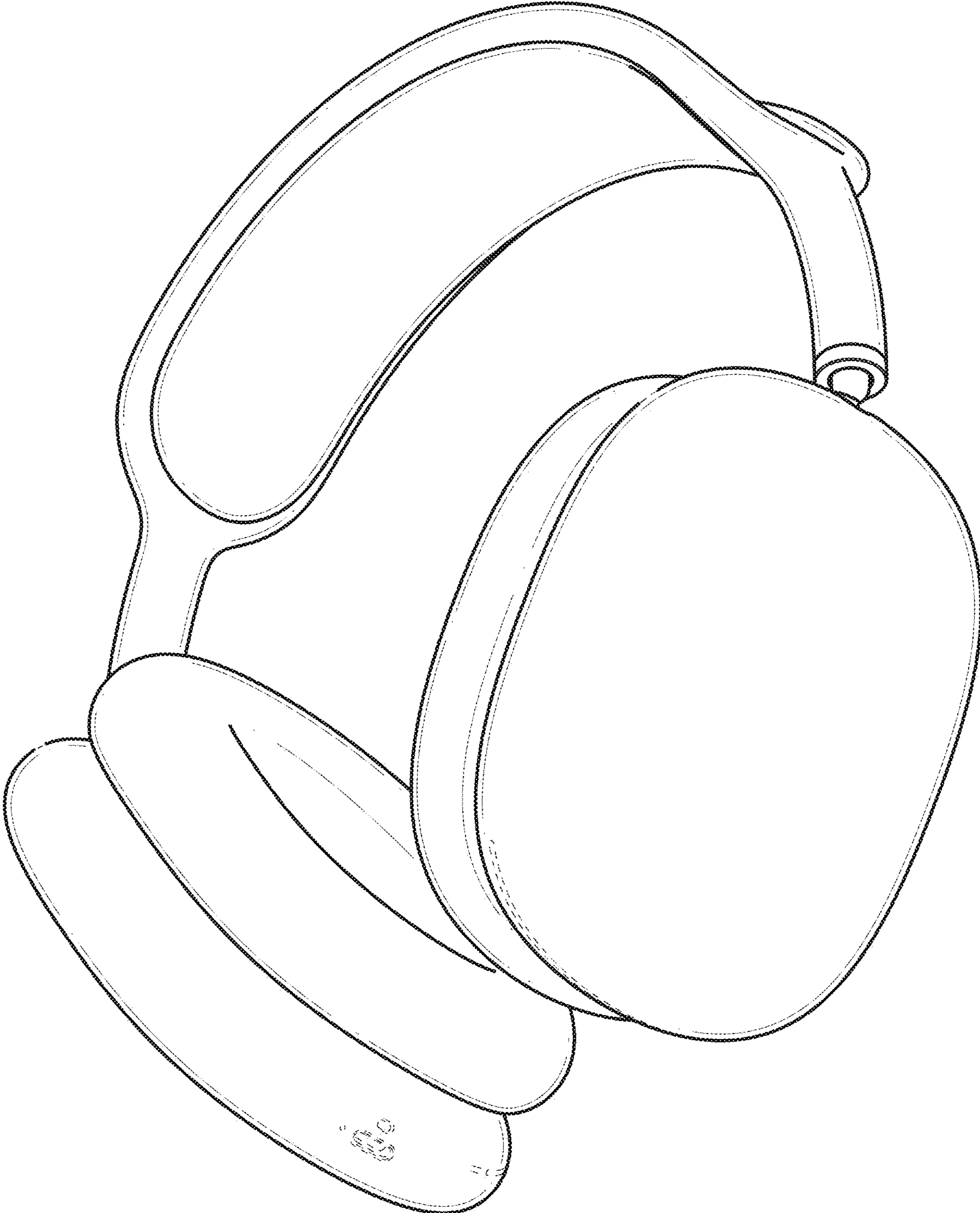


FIG. 2

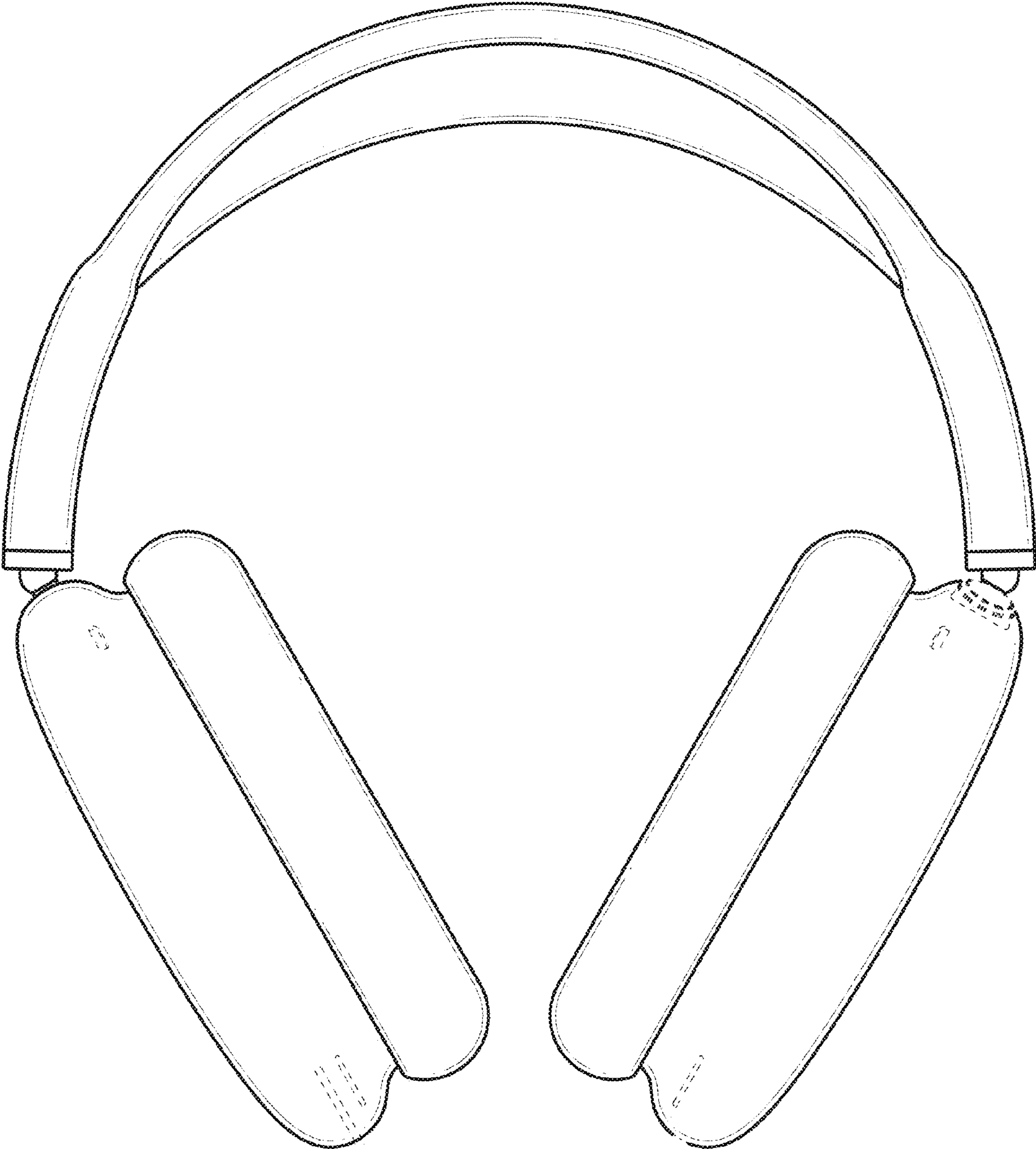


FIG. 3

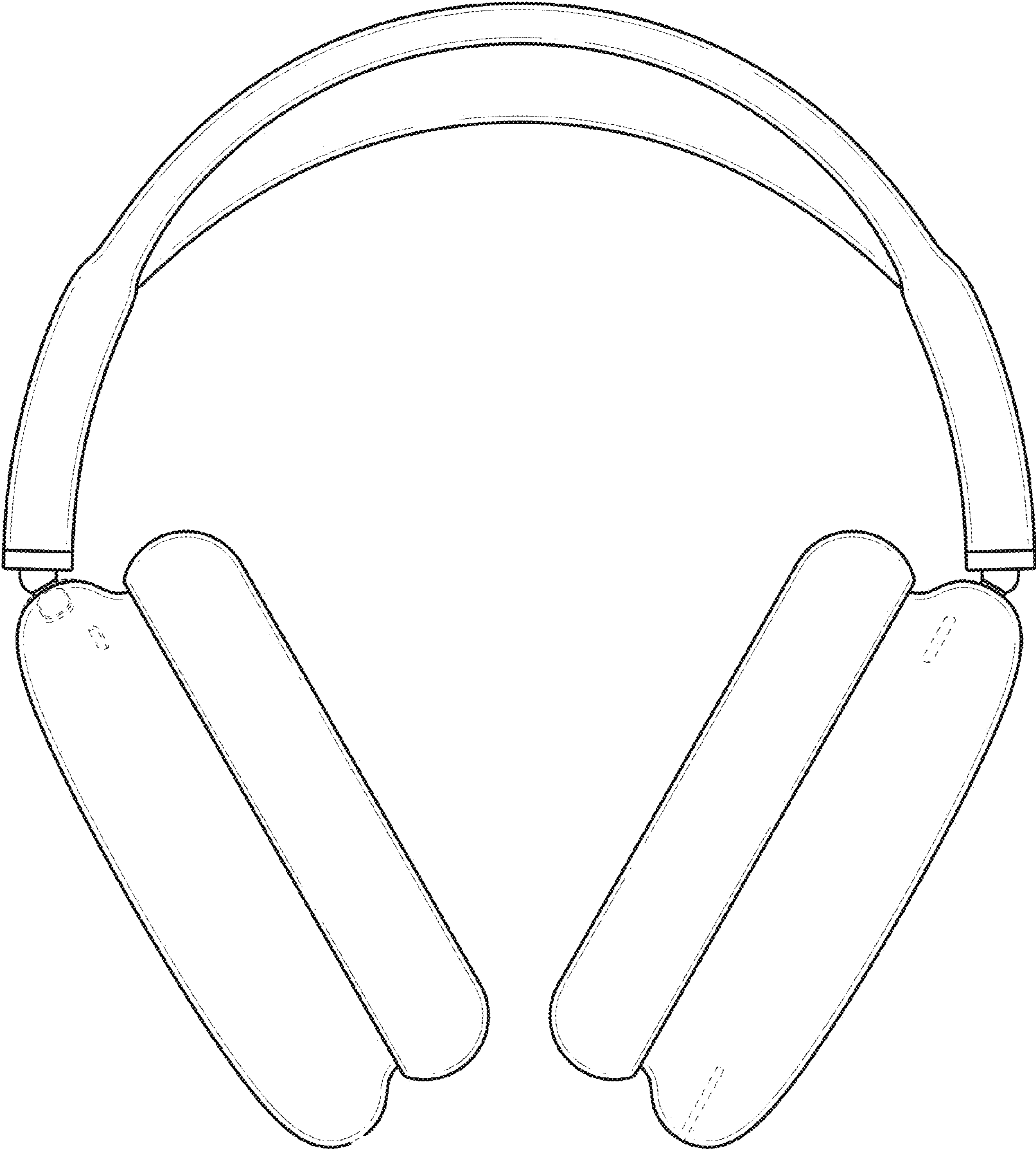


FIG. 4

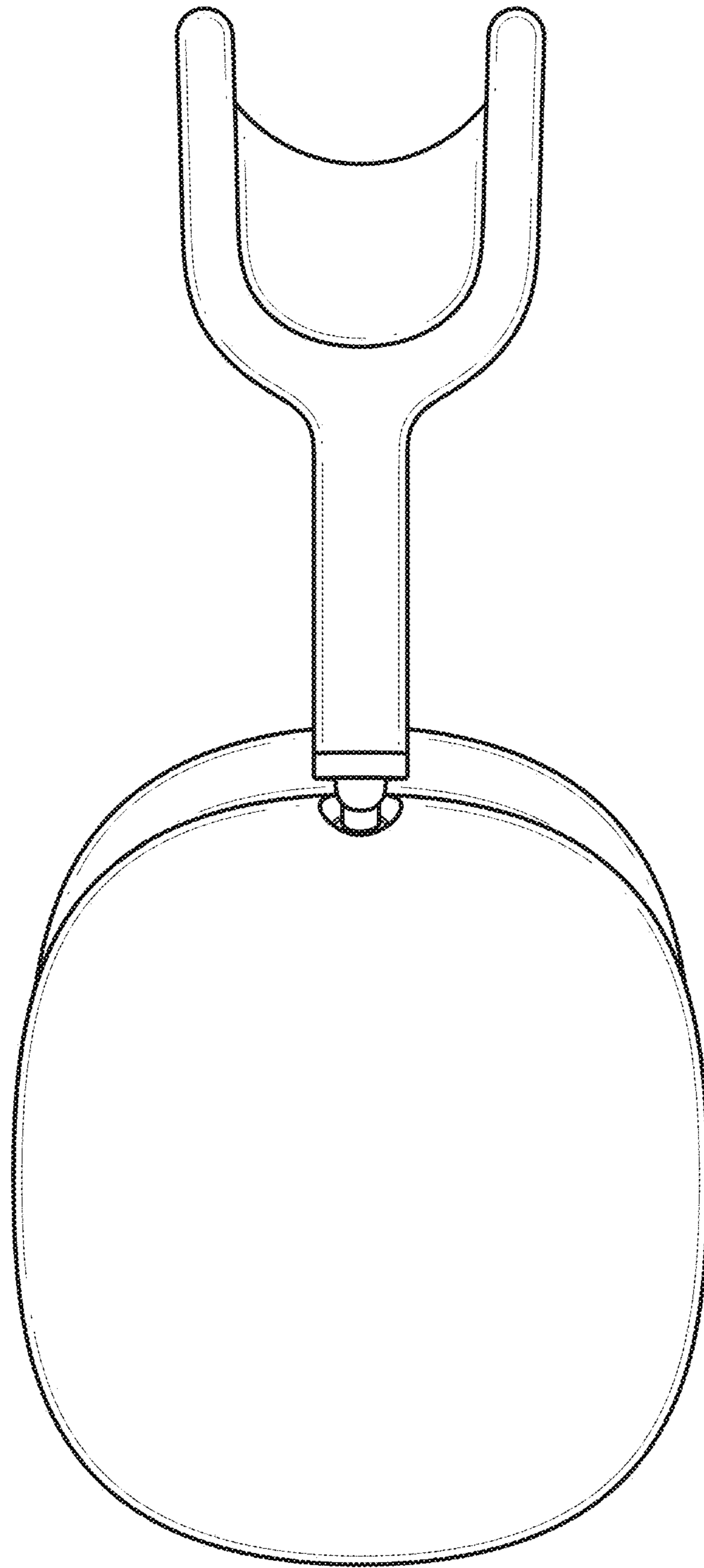


FIG. 5

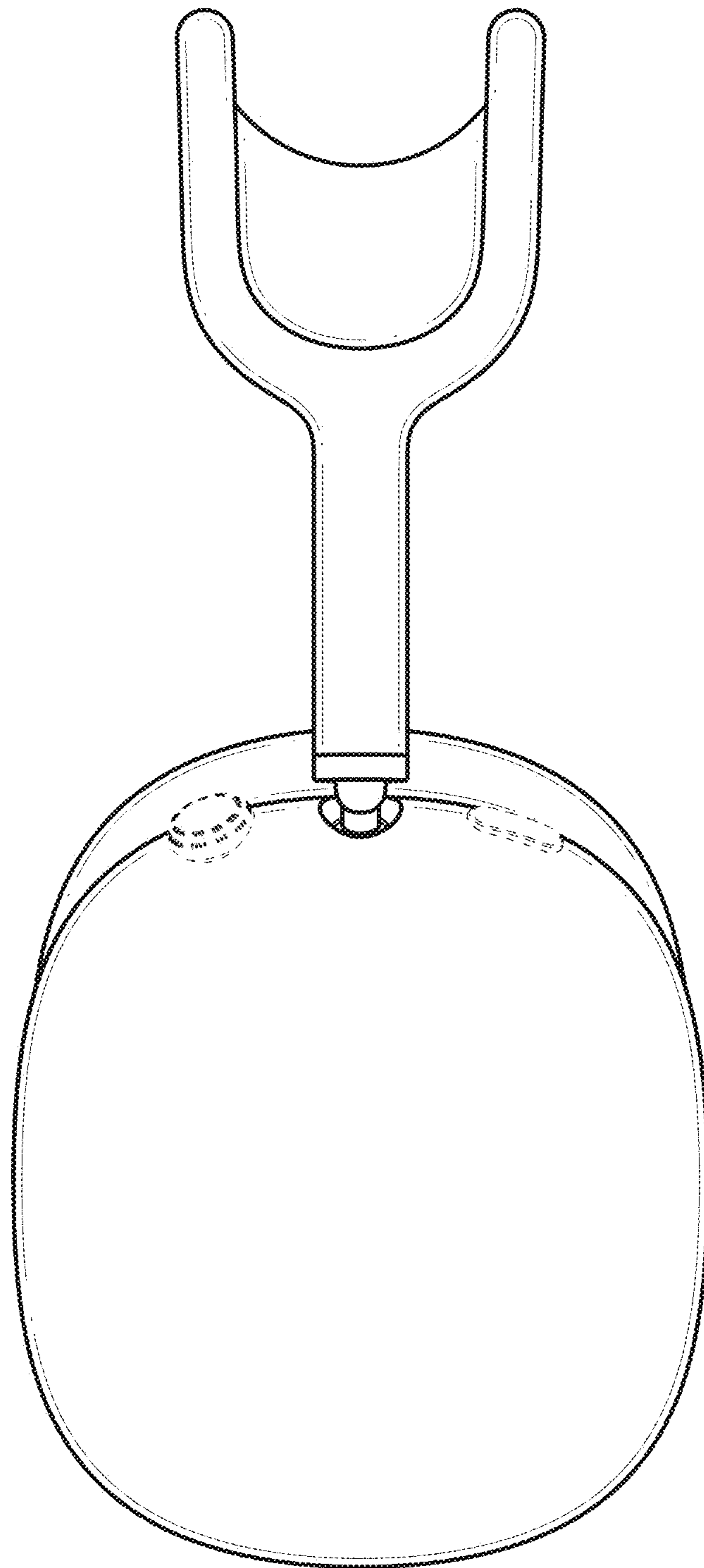


FIG. 6

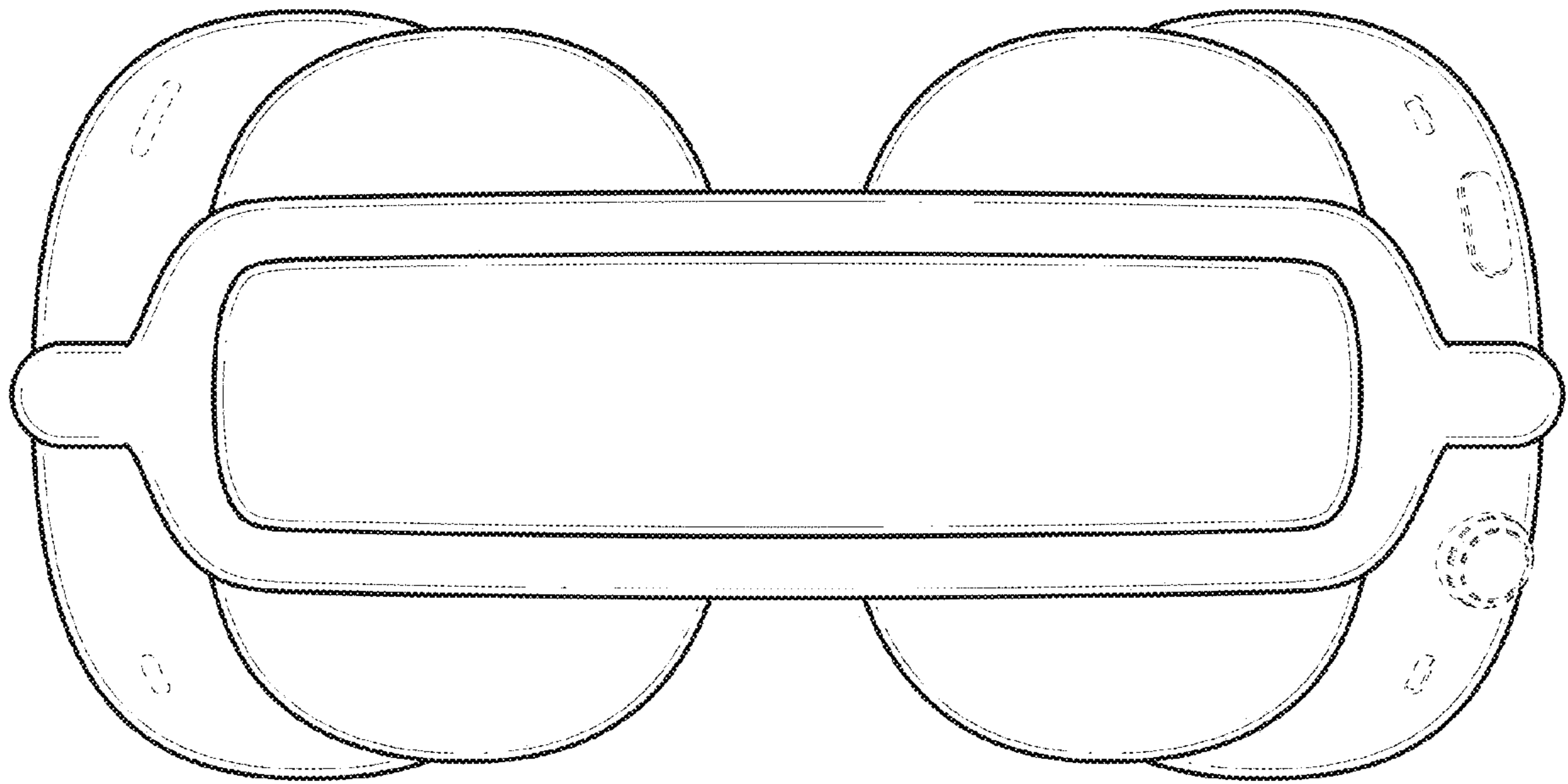


FIG. 7

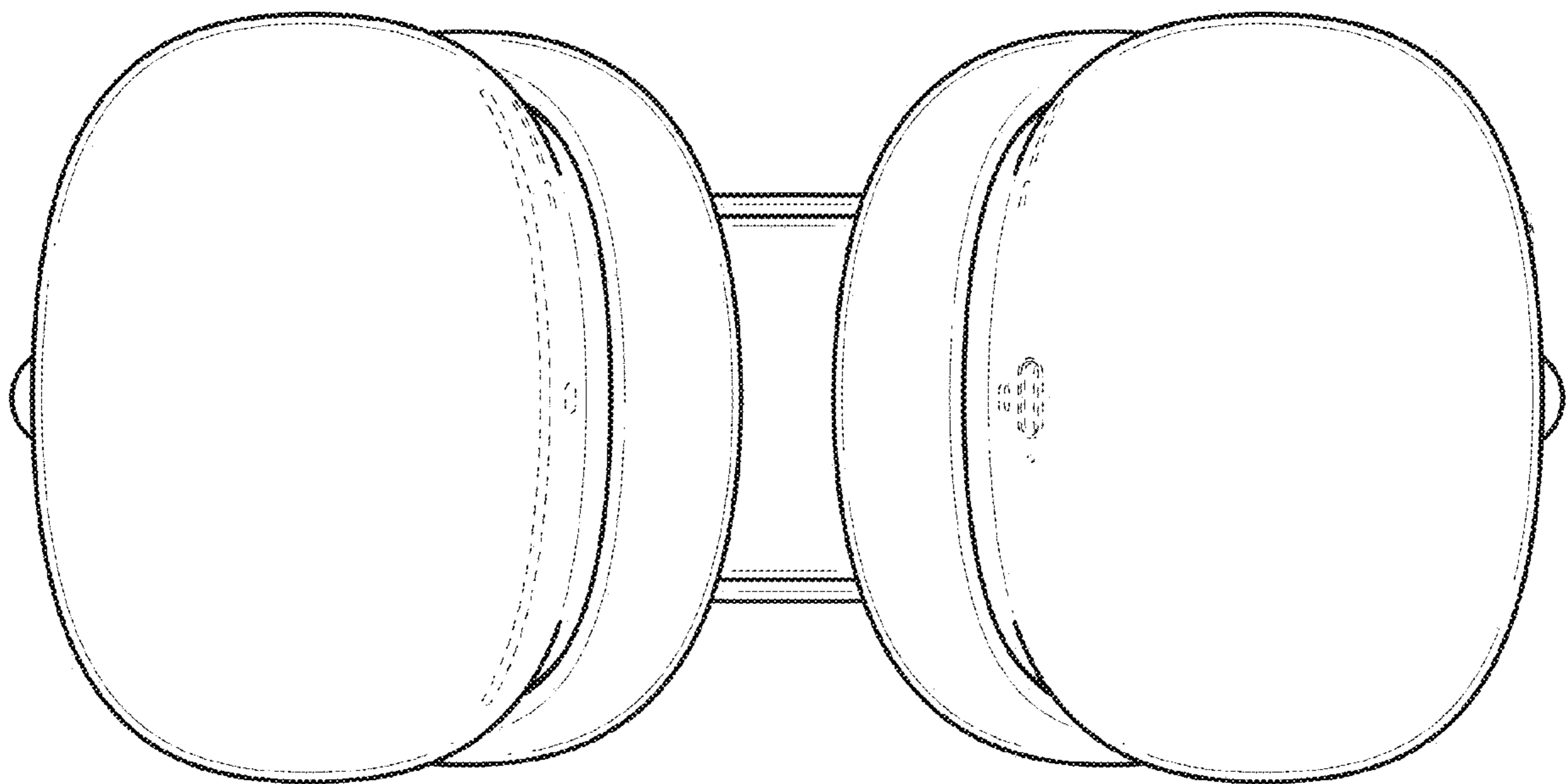


FIG. 8