



US00D937804S

(12) **United States Design Patent**  
**Deng**

(10) **Patent No.:** **US D937,804 S**

(45) **Date of Patent:** **\*\* Dec. 7, 2021**

(54) **HEADPHONE**

(71) Applicant: **Lingyan Deng**, Jiangxi (CN)

(72) Inventor: **Lingyan Deng**, Jiangxi (CN)

(\*\*) Term: **15 Years**

(21) Appl. No.: **29/715,664**

(22) Filed: **Dec. 4, 2019**

(51) **LOC (13) Cl.** ..... **14-01**

(52) **U.S. Cl.**

USPC ..... **D14/205**

(58) **Field of Classification Search**

USPC ..... D14/205, 206; D29/112; 2/209;  
381/380, 381, 374; 455/90.3, 575.1,  
455/569.1

CPC ..... H04R 25/00; H04R 25/02; H04R 1/1066;  
H04R 1/1016; H04R 5/033; H04R  
5/0335; H04R 1/10

See application file for complete search history.

(56) **References Cited**

**U.S. PATENT DOCUMENTS**

- 2,924,290 A \* 2/1960 Zuerker ..... H04R 7/12  
381/189
- 4,465,905 A \* 8/1984 Nation ..... H04R 1/24  
381/386
- 7,072,483 B2 \* 7/2006 Lenhard-Backhaus .....  
H04R 1/1066  
381/370
- D540,301 S \* 4/2007 Obata ..... D14/205
- D552,077 S \* 10/2007 Brunner ..... D14/205
- D632,668 S \* 2/2011 Brunner ..... D14/205
- D657,344 S \* 4/2012 Brunner ..... D14/205
- D660,823 S \* 5/2012 Hardi ..... D14/205
- D660,824 S \* 5/2012 Hardi ..... D14/205
- D662,080 S \* 6/2012 Carr ..... D14/205
- D663,716 S \* 7/2012 Hardi ..... D14/205
- D673,136 S \* 12/2012 Kelly ..... D14/205
- D673,518 S \* 1/2013 Tan ..... D14/205

- D673,520 S \* 1/2013 Tan ..... D14/205
- D675,595 S \* 2/2013 Cho ..... D14/205
- D678,860 S \* 3/2013 Hagelin ..... D14/205
- D683,329 S \* 5/2013 Hagelin ..... D14/205
- D689,843 S \* 9/2013 Lee ..... D14/205
- D699,702 S \* 2/2014 Chen ..... D14/205
- D738,350 S \* 9/2015 Brunner ..... D14/205
- D738,850 S \* 9/2015 Chung ..... D14/205
- D739,378 S \* 9/2015 Chung ..... D14/205
- D742,357 S \* 11/2015 Chung ..... D14/205
- D769,842 S \* 10/2016 Rouffiat ..... D14/205
- D785,593 S \* 5/2017 Nakagawa ..... D14/205
- D786,824 S \* 5/2017 Hembrey ..... D14/205
- D791,103 S \* 7/2017 Brunner ..... D14/205
- D791,733 S \* 7/2017 Brunner ..... D14/205
- D794,601 S \* 8/2017 Riggs ..... D14/205
- D794,602 S \* 8/2017 Riggs ..... D14/205
- D811,364 S \* 2/2018 Park ..... D14/205
- D858,483 S \* 9/2019 Hu ..... D14/205

(Continued)

**FOREIGN PATENT DOCUMENTS**

EM 007434089-0005 \* 12/2019

*Primary Examiner* — Paula Allen Greene

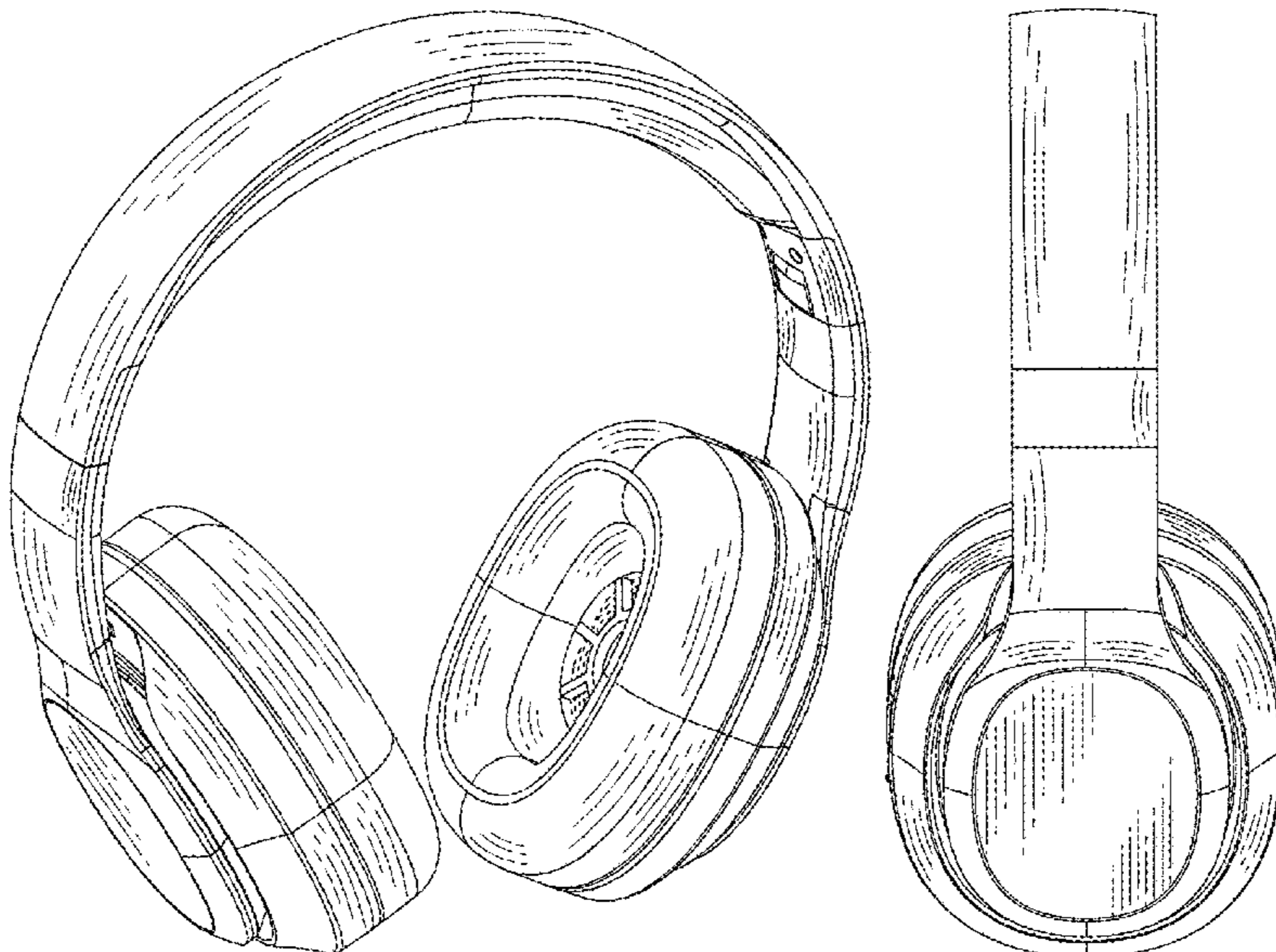
(57) **CLAIM**

The ornamental design for a headphone, as shown and described.

**DESCRIPTION**

FIG. 1 is a perspective view of a headphone showing my new design;  
 FIG. 2 is a front elevation view thereof;  
 FIG. 3 is a rear elevation view thereof;  
 FIG. 4 is a left side elevation view thereof;  
 FIG. 5 is a right side elevation view thereof;  
 FIG. 6 is a top plan view thereof; and,  
 FIG. 7 is a bottom plan view thereof.  
 The broken lines depict environment that forms no part of the claimed design.

**1 Claim, 7 Drawing Sheets**



(56)

**References Cited**

U.S. PATENT DOCUMENTS

D868,030	S	*	11/2019	Chong	.....	D14/206
D888,008	S	*	6/2020	Yook	.....	D14/205
D890,129	S	*	7/2020	Liu	.....	D14/206
D893,452	S	*	8/2020	Yook	.....	D14/205
D894,867	S	*	9/2020	Choe	.....	D14/205
D904,339	S	*	12/2020	Wang	.....	D14/205
D905,003	S	*	12/2020	Ohmachi	.....	D14/205
D907,003	S	*	1/2021	Liu	.....	D14/205
D909,988	S	*	2/2021	Vaclavik	.....	D14/205
2005/0238189	A1	*	10/2005	Tsai	.....	H04R 1/1075 381/309
2006/0104471	A1	*	5/2006	Tsunoda	.....	H04R 1/2803 381/374
2007/0177748	A1	*	8/2007	Yang	.....	H04R 1/1075 381/309
2018/0132027	A1	*	5/2018	Hawkes	.....	G06F 3/04847
2020/0228890	A1	*	7/2020	Han	.....	H04R 1/1008

\* cited by examiner

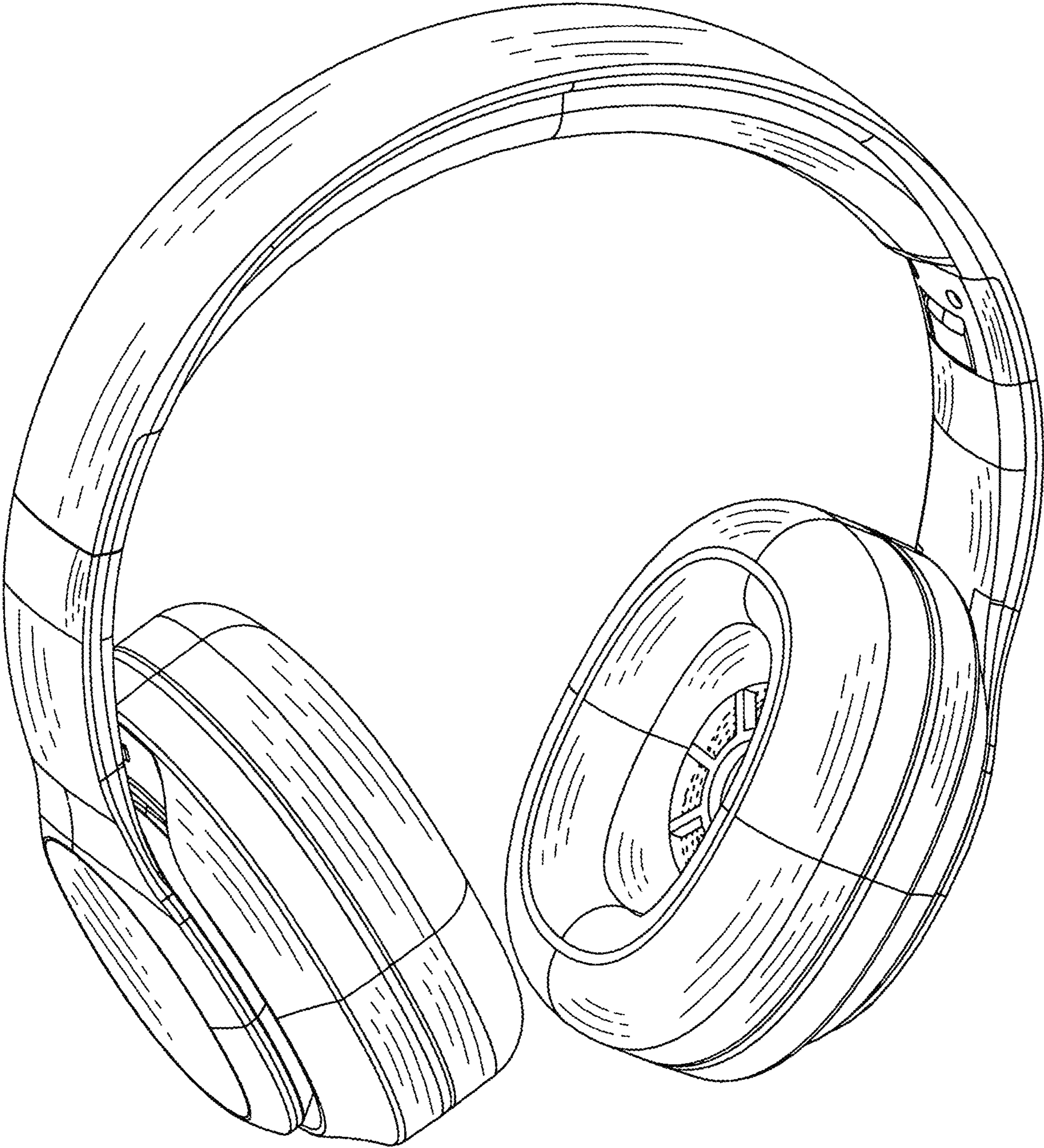


FIG. 1

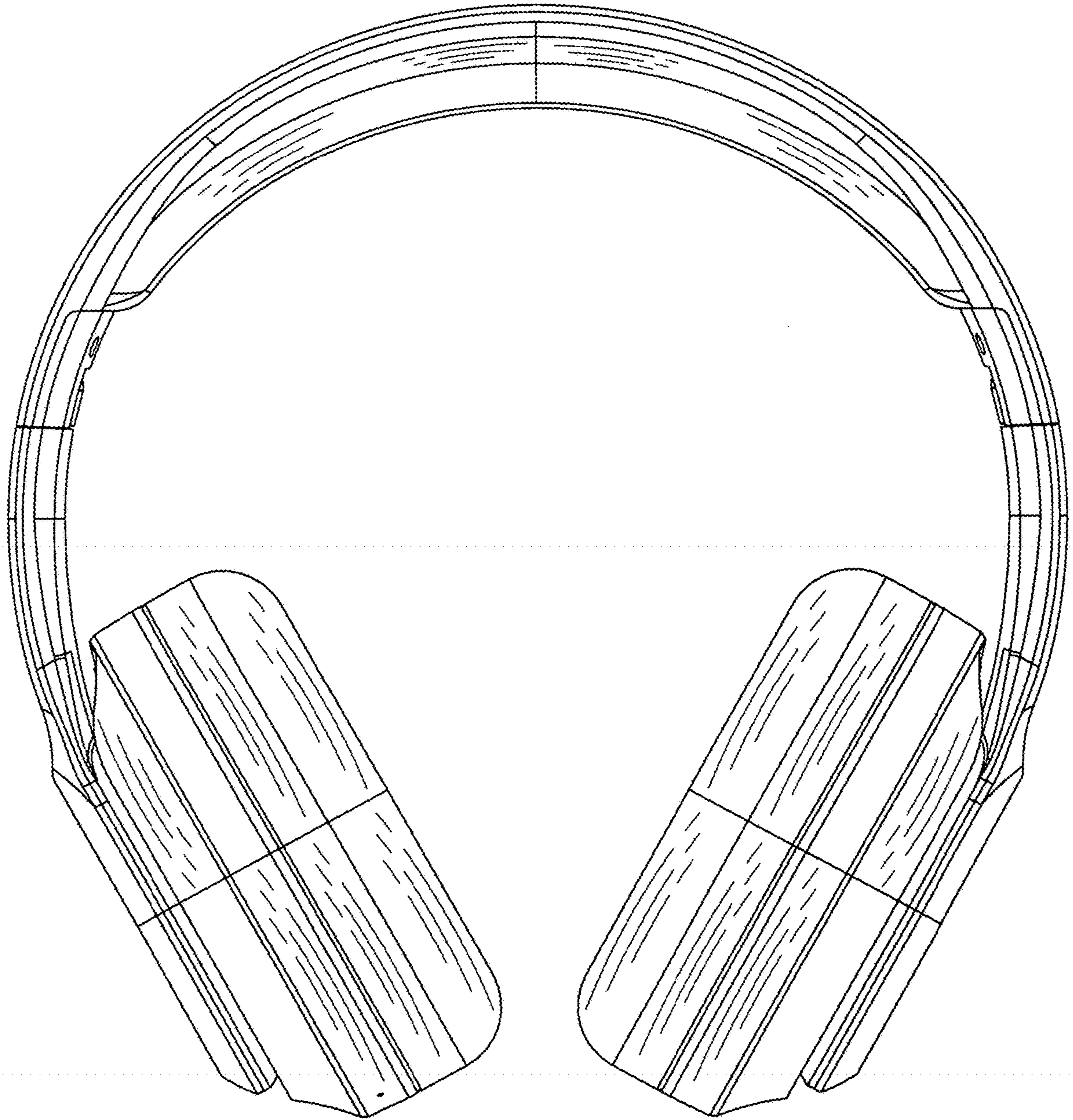


FIG. 2

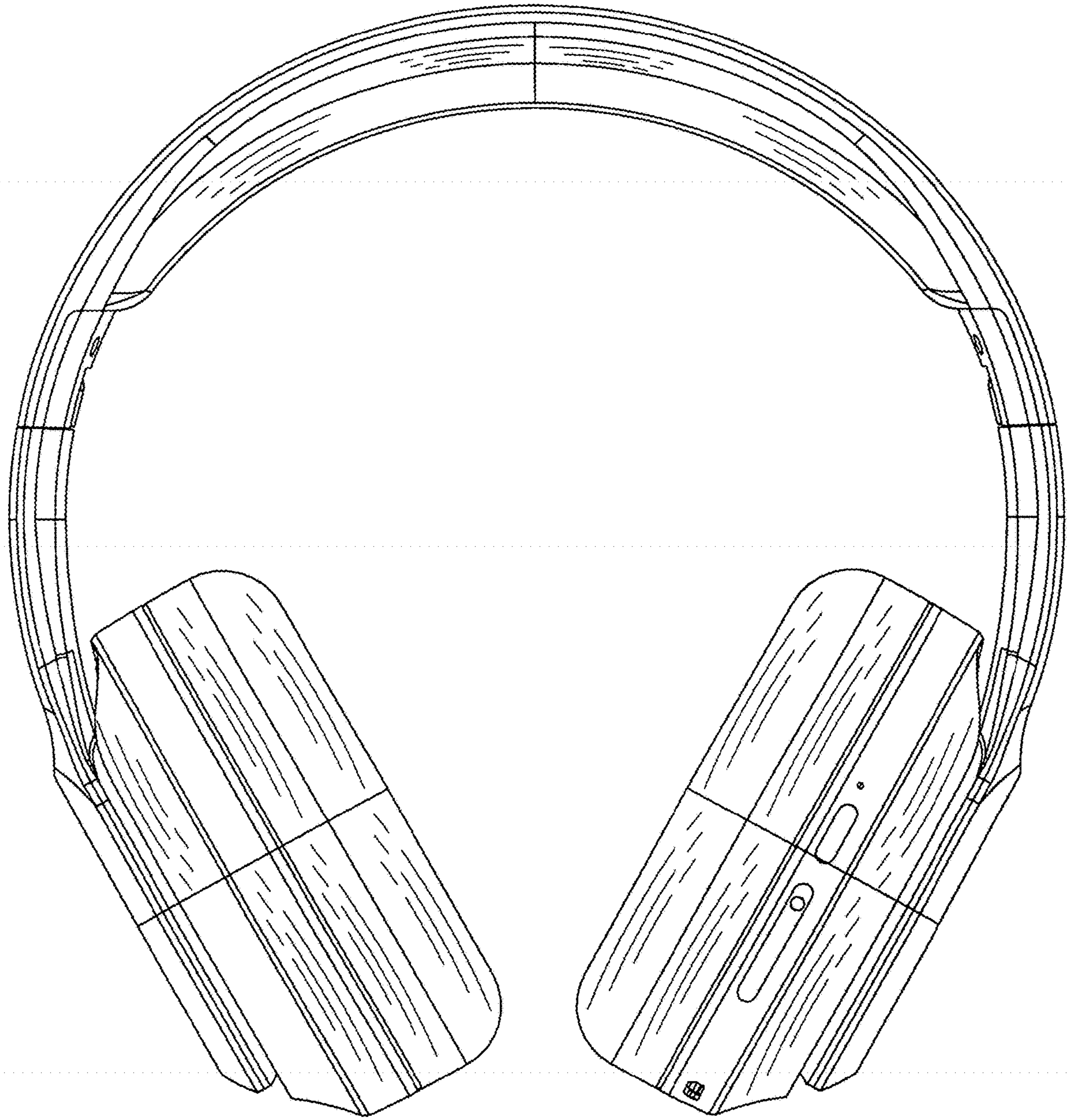


FIG. 3

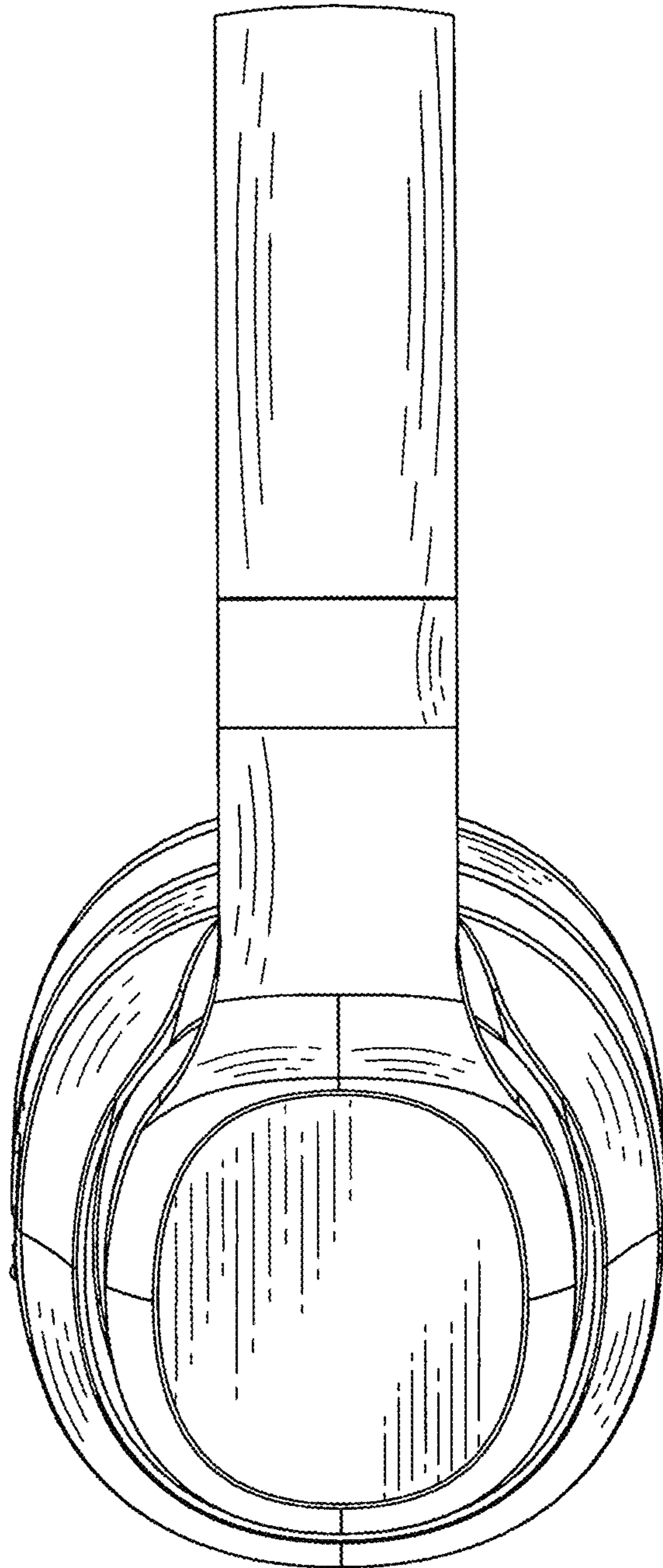


FIG. 4

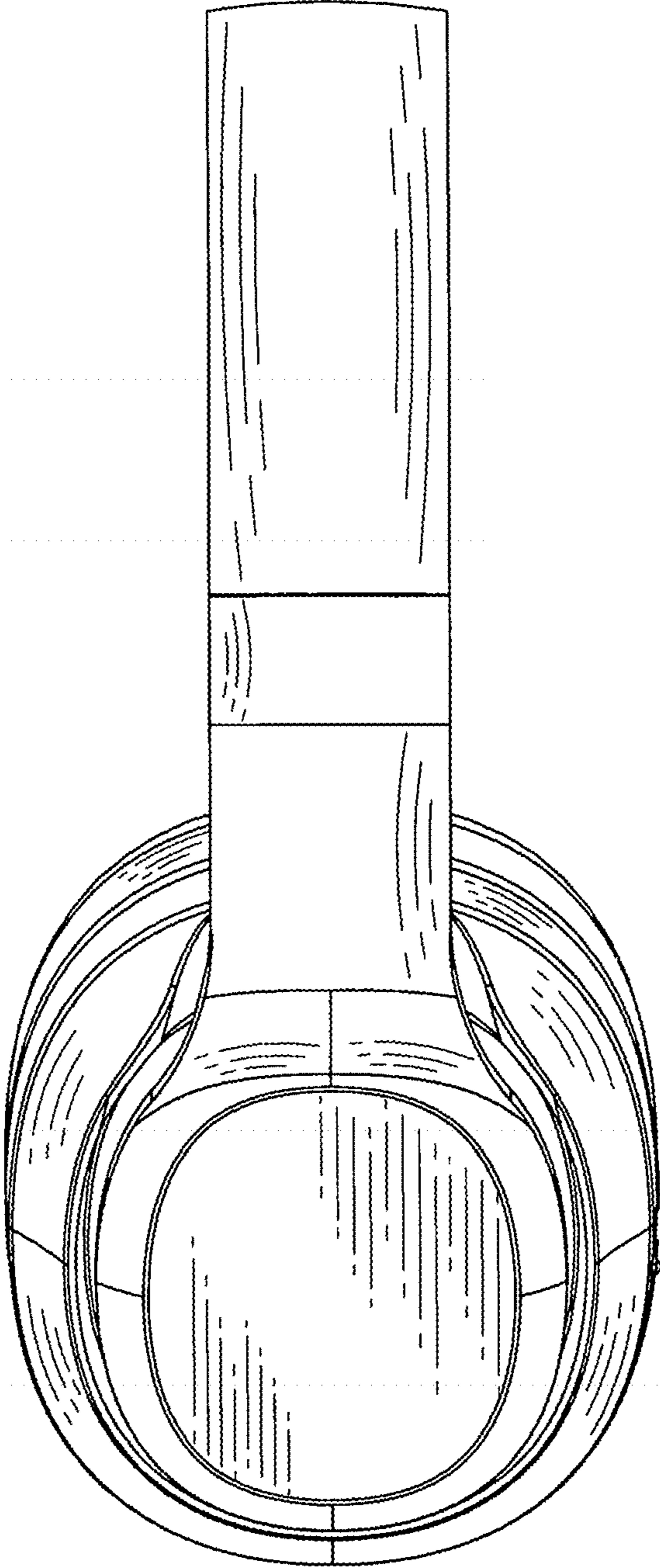


FIG. 5

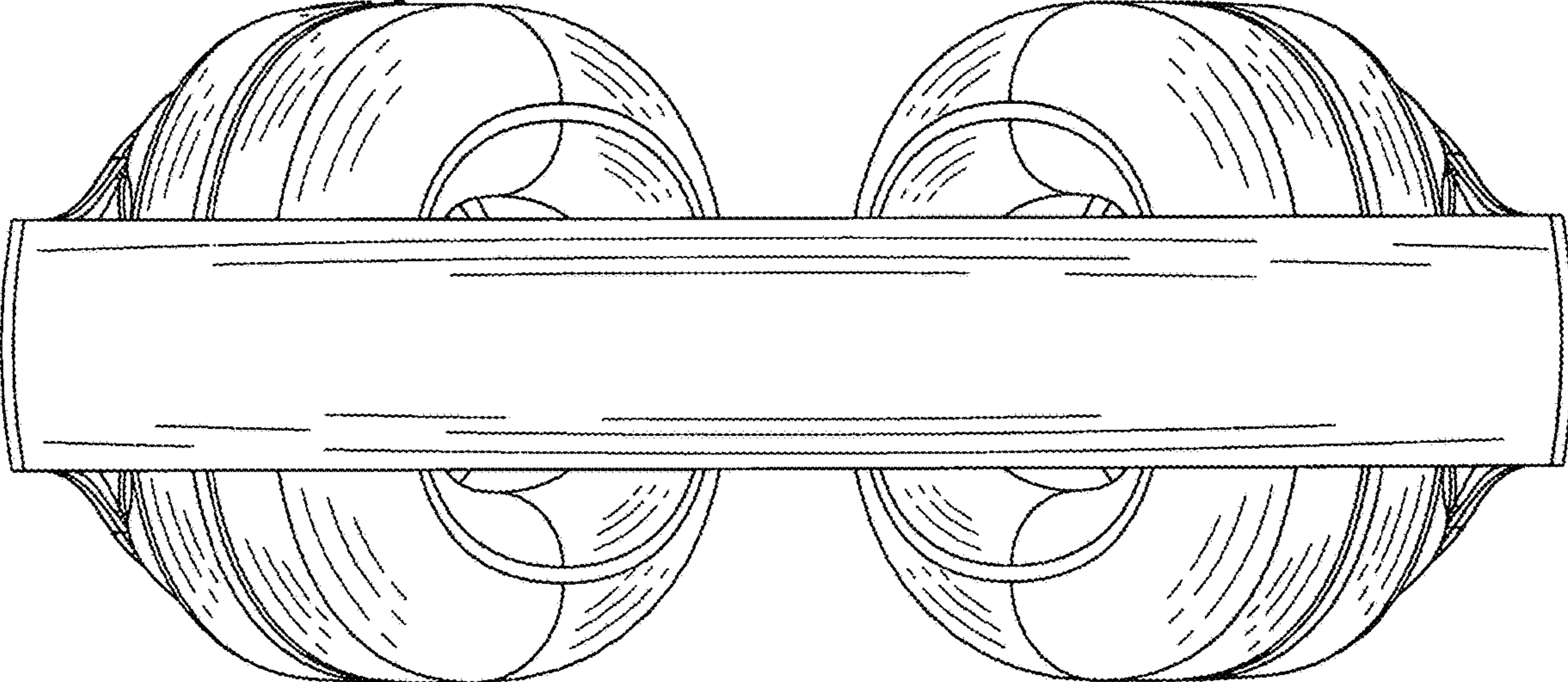


FIG. 6



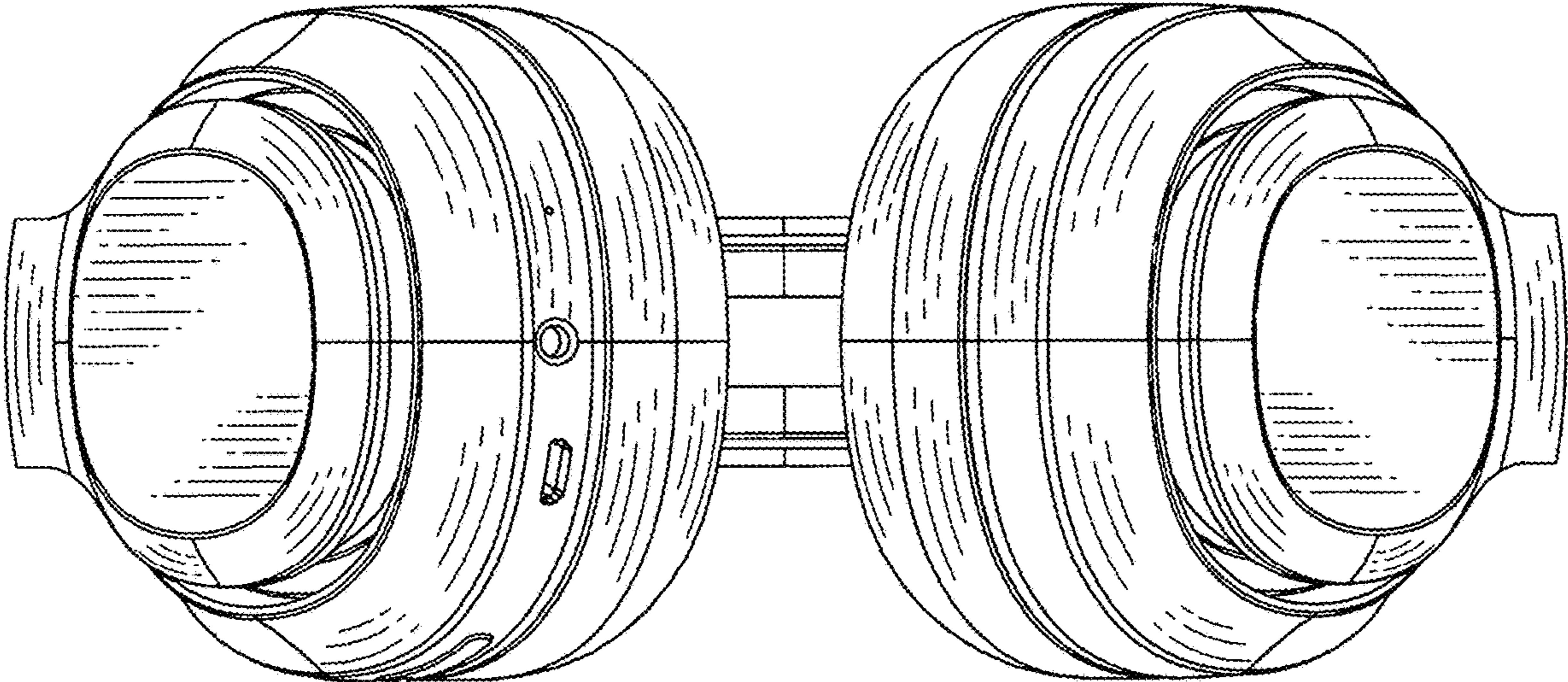


FIG. 7