

US00D937801S

(12) **United States Design Patent**
Deng et al.

(10) **Patent No.:** **US D937,801 S**

(45) **Date of Patent:** **** Dec. 7, 2021**

(54) **RECORDING PEN**

(71) Applicant: **Shenzhen Jiayz Photo Industrial, Ltd, Shenzhen (CN)**

(72) Inventors: **Gang Deng, Shenzhen (CN); Jinshu Hu, Shenzhen (CN)**

(**) Term: **15 Years**

(21) Appl. No.: **29/740,070**

(22) Filed: **Jun. 30, 2020**

(51) **LOC (13) Cl.** **14-01**

(52) **U.S. Cl.**

USPC **D14/167**

(58) **Field of Classification Search**

USPC D14/167, 154, 168, 188, 496, 156, 160, D14/161, 162, 163, 164, 165, 158, 203.1, D14/341, 346, 342, 345, 225, 226, 228, D14/227, 214; 455/351, 350; D19/60, D19/62; D21/330; 369/44.14, 44.32; 700/94; D16/202

CPC H04N 13/004; H04N 5/85; H04N 9/8227; H04N 13/0055; H04N 19/597; H04N 19/61; H04N 21/42646; H04N 21/4325; H04N 1/234327; G11B 27/034; G11B 27/11

See application file for complete search history.

(56) **References Cited**

U.S. PATENT DOCUMENTS

D571,778 S * 6/2008 Aoki D14/167
D581,898 S * 12/2008 Oka D14/167
D601,120 S * 9/2009 Aoki D14/167
D611,925 S * 3/2010 Miyazaki D14/167

D647,077 S * 10/2011 Hayashi D14/167
D664,112 S * 7/2012 Fukuoka D14/167
D665,769 S * 8/2012 Hayashi D14/167
D683,714 S * 6/2013 Ito D14/167
D768,106 S * 10/2016 Tajima D14/167
D805,052 S * 12/2017 Suzuki D14/167

* cited by examiner

Primary Examiner — Austin Murphy

(57) **CLAIM**

The ornamental design for a recording pen, as shown and described.

DESCRIPTION

FIG. 1 is a front and top perspective view of a recording pen, showing our new design;

FIG. 2 is a rear and bottom perspective view thereof;

FIG. 3 is a front elevational view thereof;

FIG. 4 is a rear elevational view thereof;

FIG. 5 is a left side elevational view thereof;

FIG. 6 is a right side elevational view thereof;

FIG. 7 is a top plan view thereof;

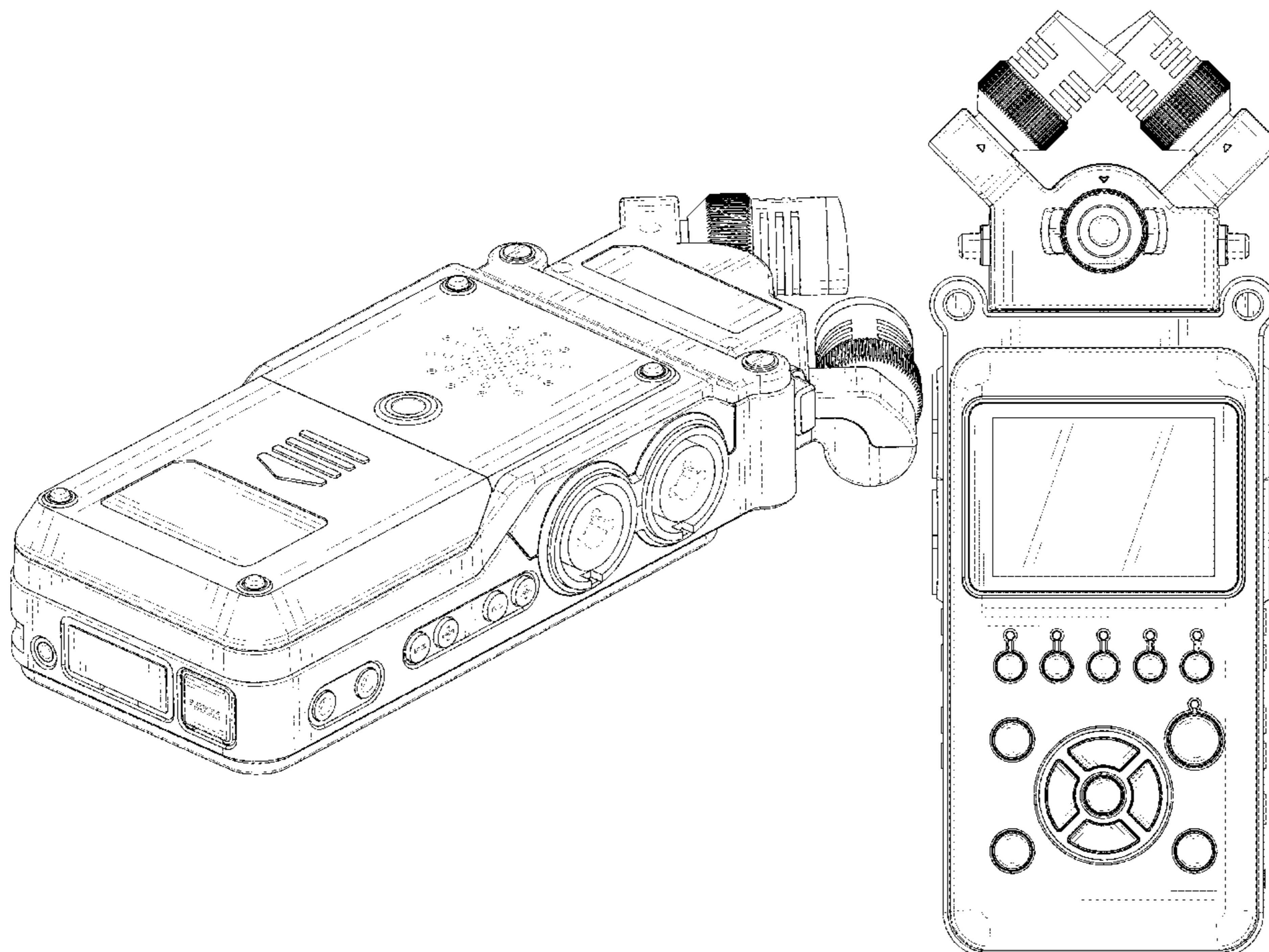
FIG. 8 is a bottom plan view thereof;

FIG. 9 is an enlarged view of a portion labeled, 'FIG. 9' in FIG. 1; and,

FIG. 10 is an enlarged view of a portion labeled, 'FIG. 10' in FIG. 1.

The dashed broken lines in the figures illustrate portions of the article that form no part of the claimed design. The dash dot dash lines in FIGS. 1, 9 and 10 are for the purpose of depicting the cut line of the enlarged view and form no part of the claim.

1 Claim, 10 Drawing Sheets



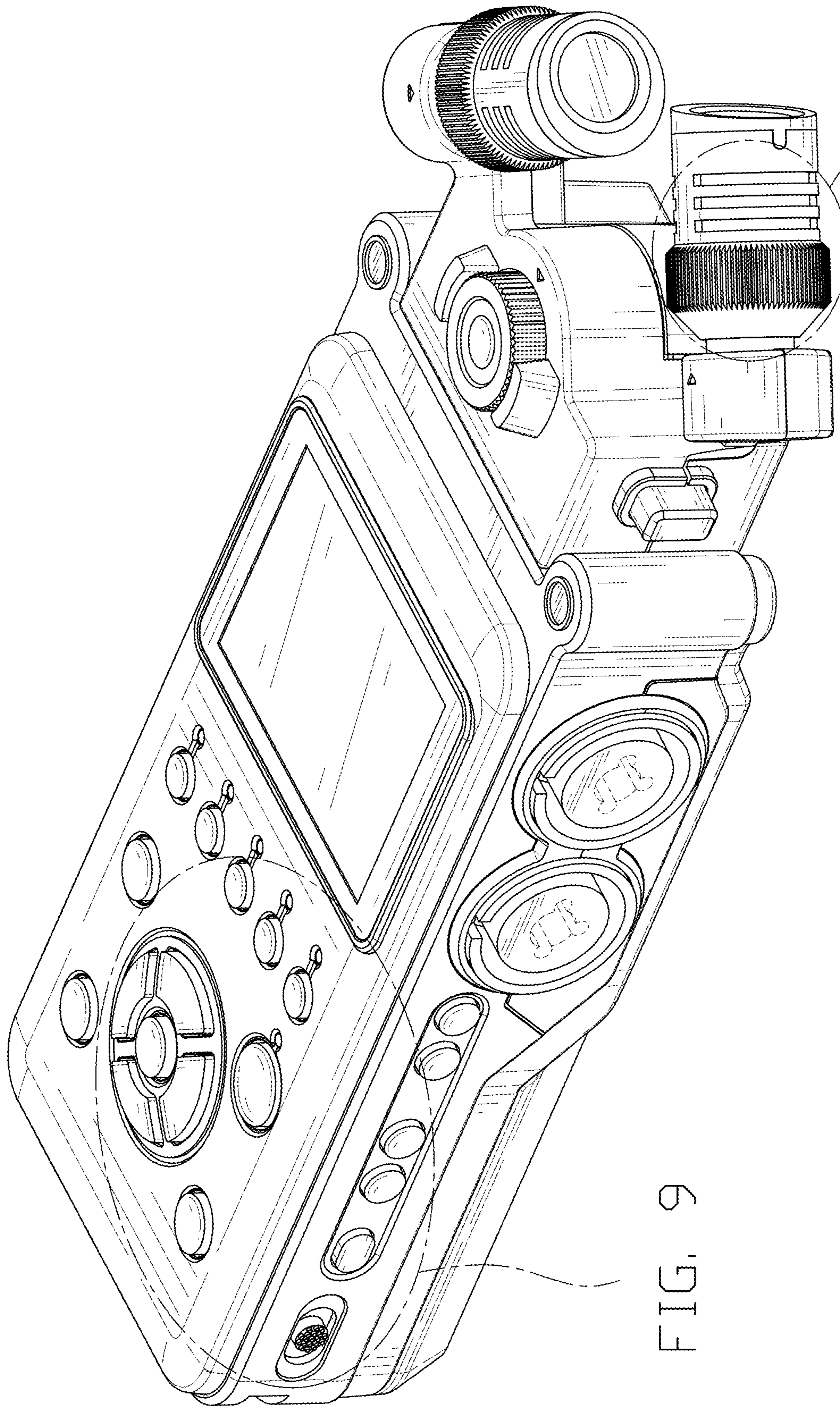


FIG. 9

FIG. 1

FIG. 10

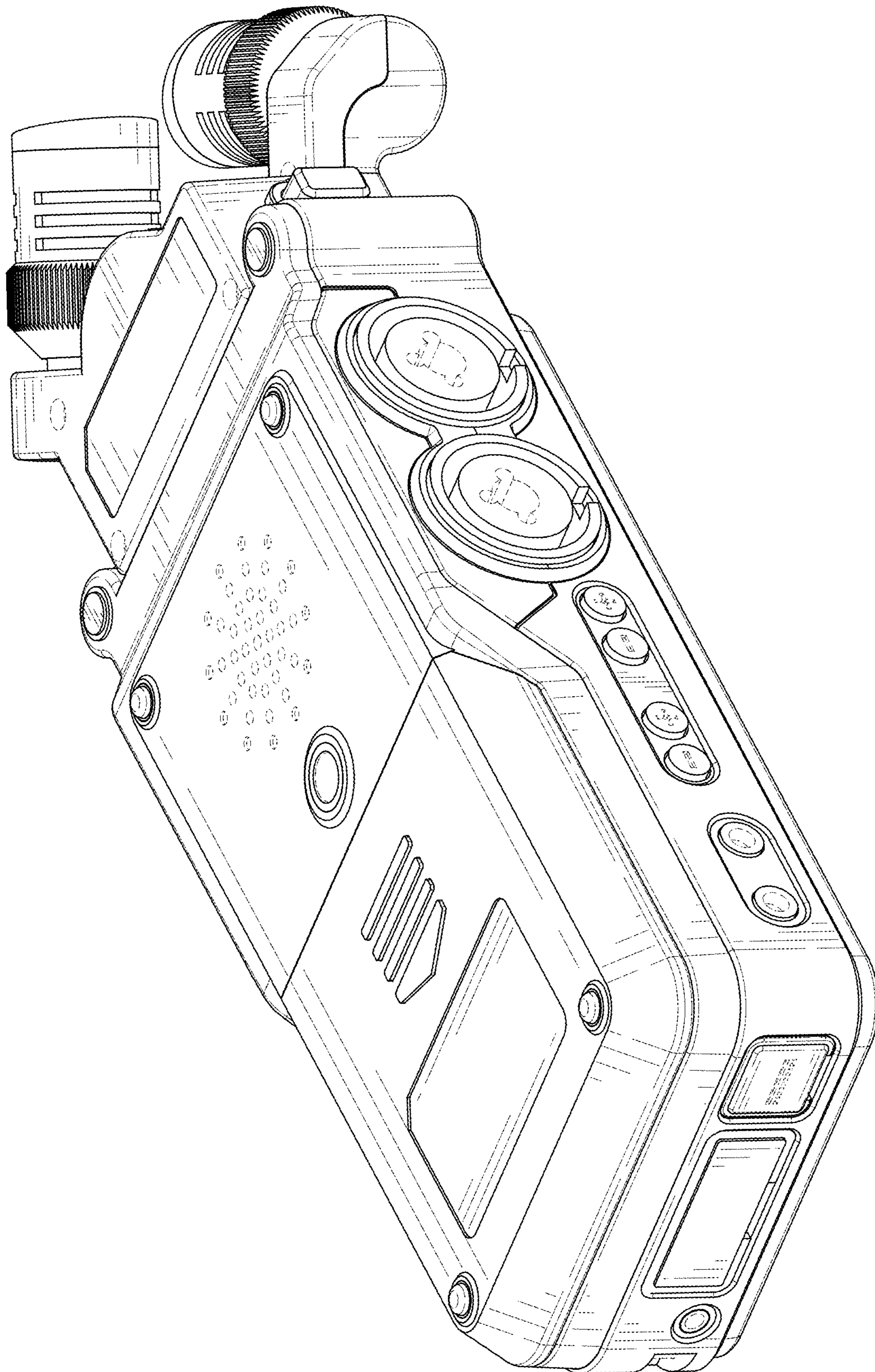


FIG. 2

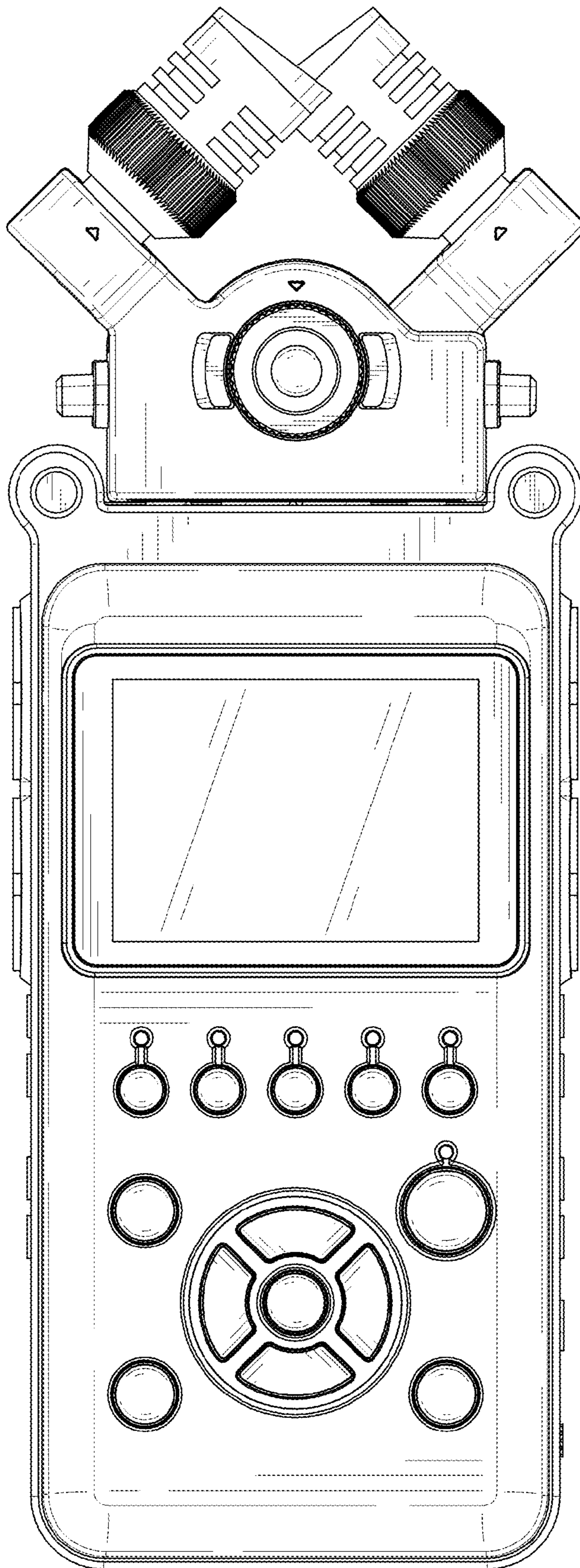


FIG. 3

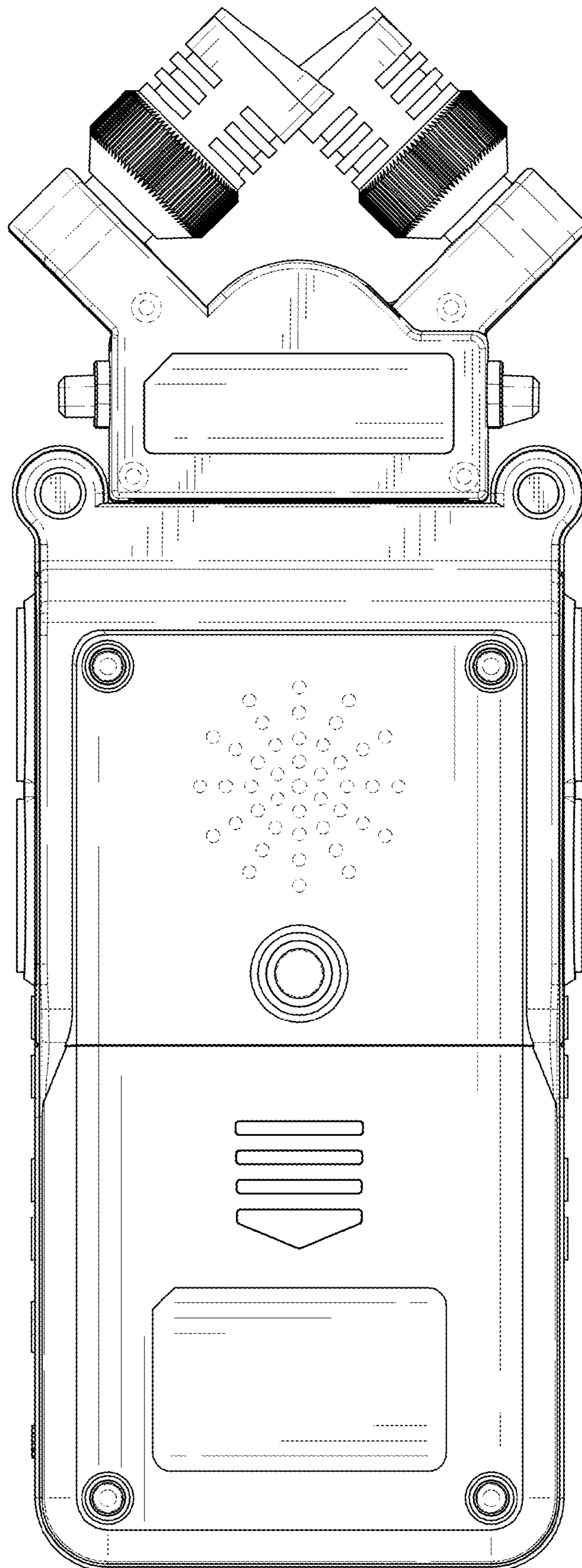


FIG. 4

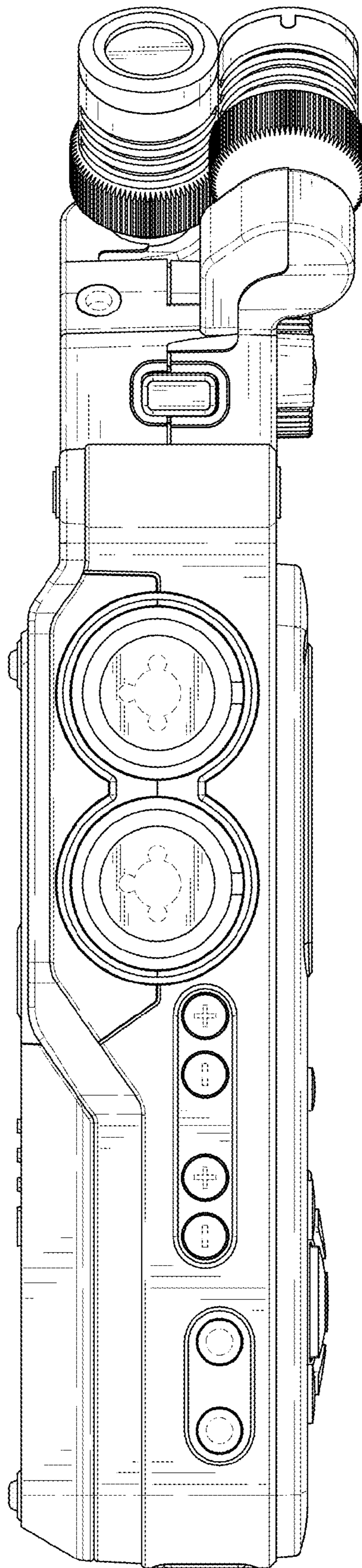


FIG. 5

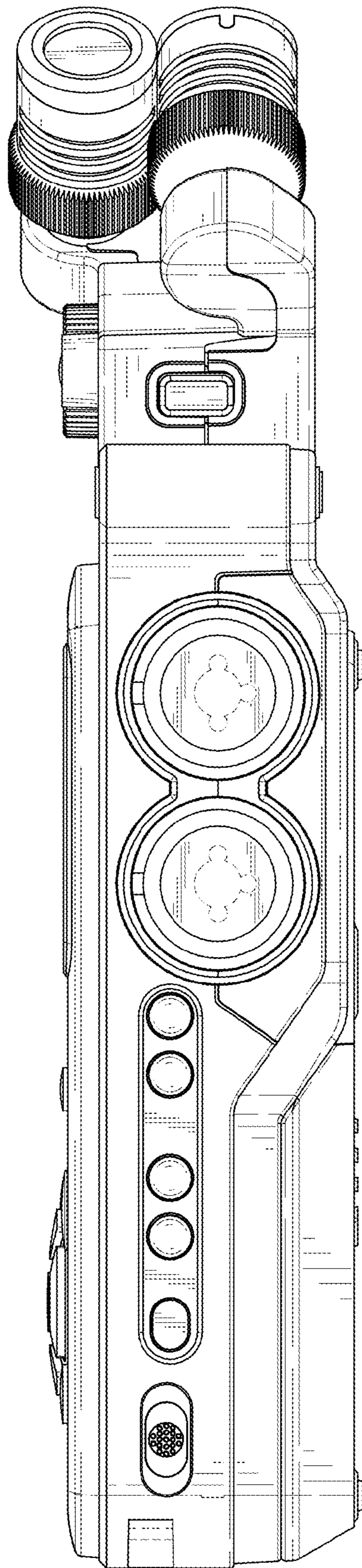


FIG. 6

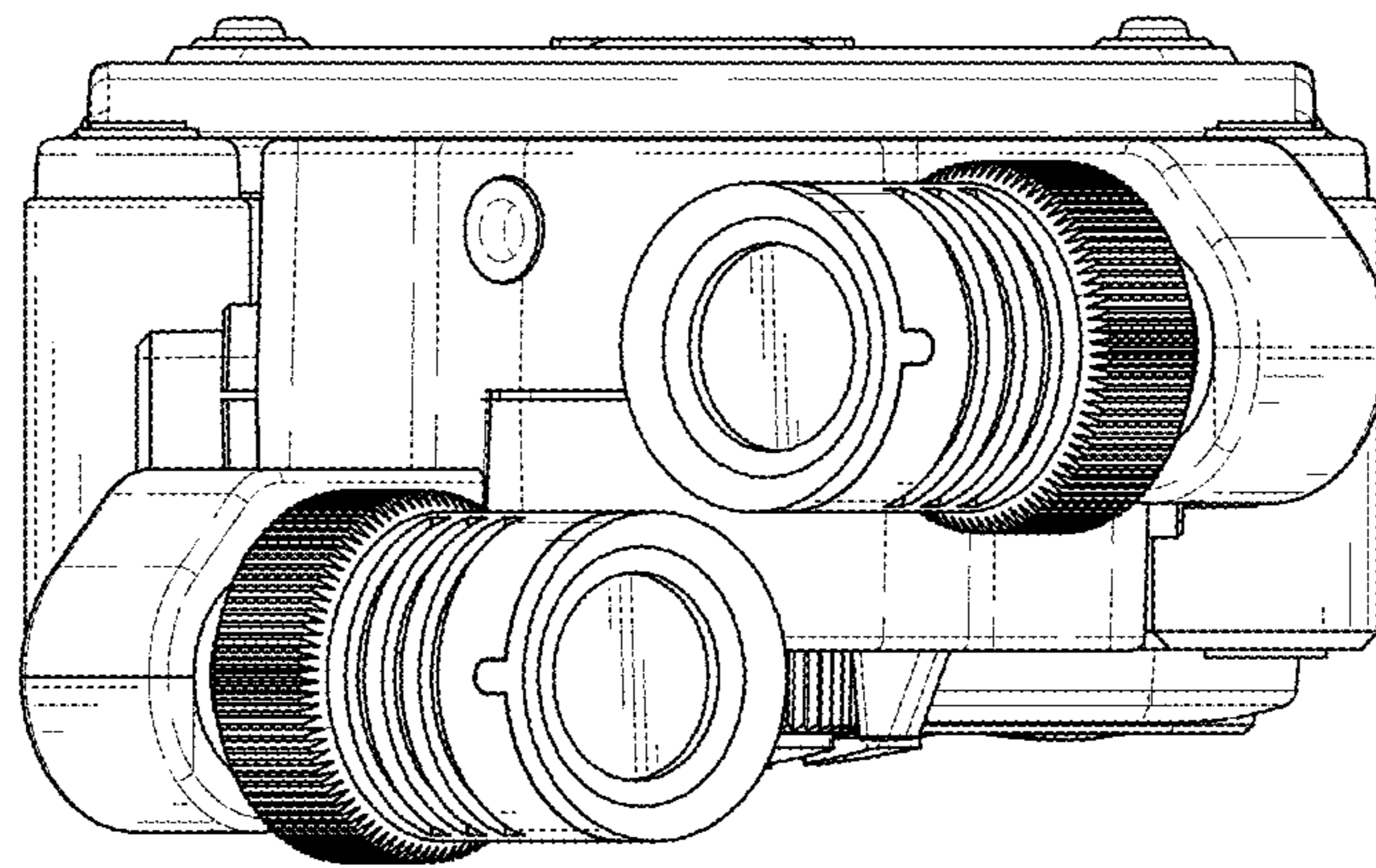


FIG. 7

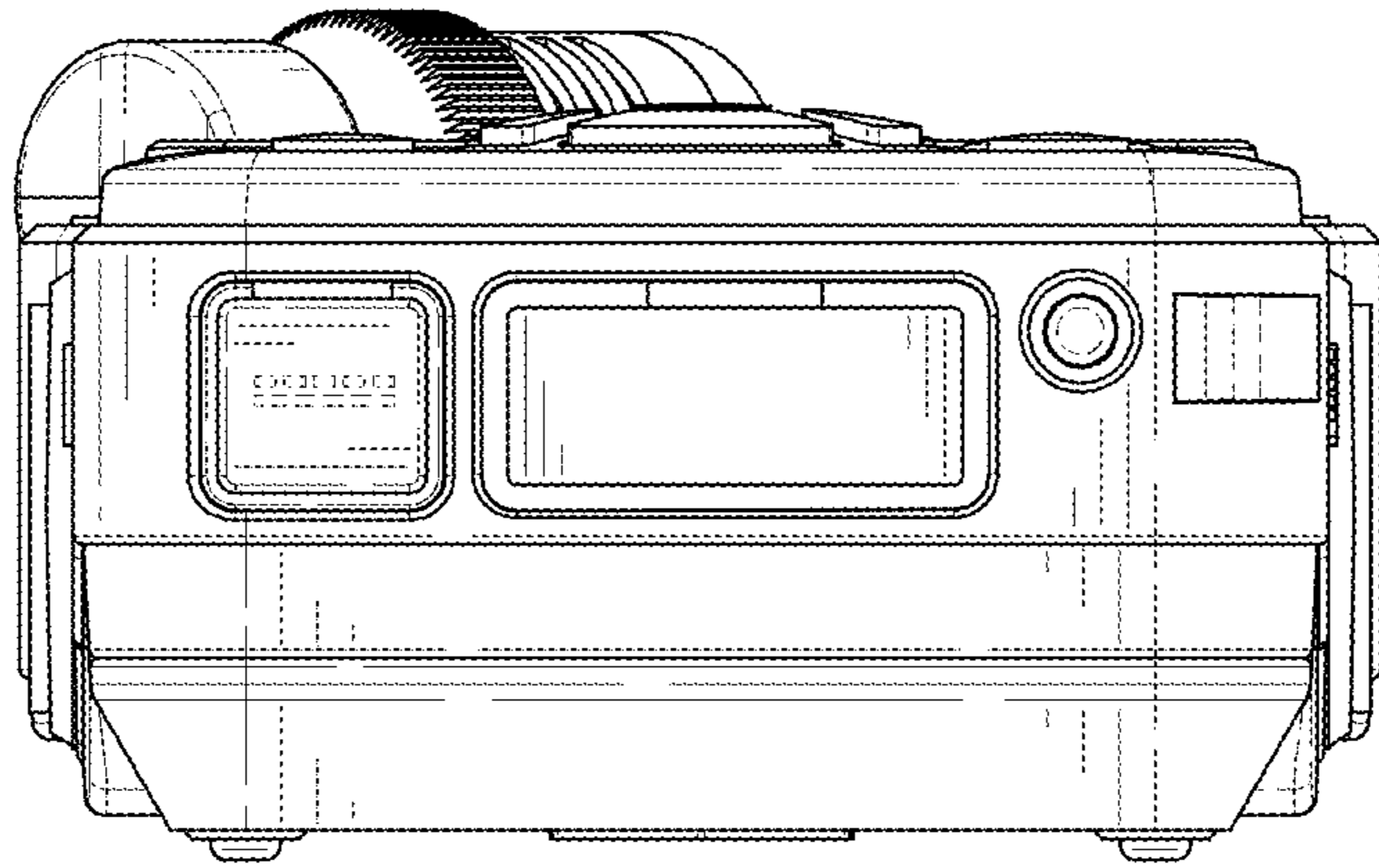


FIG. 8

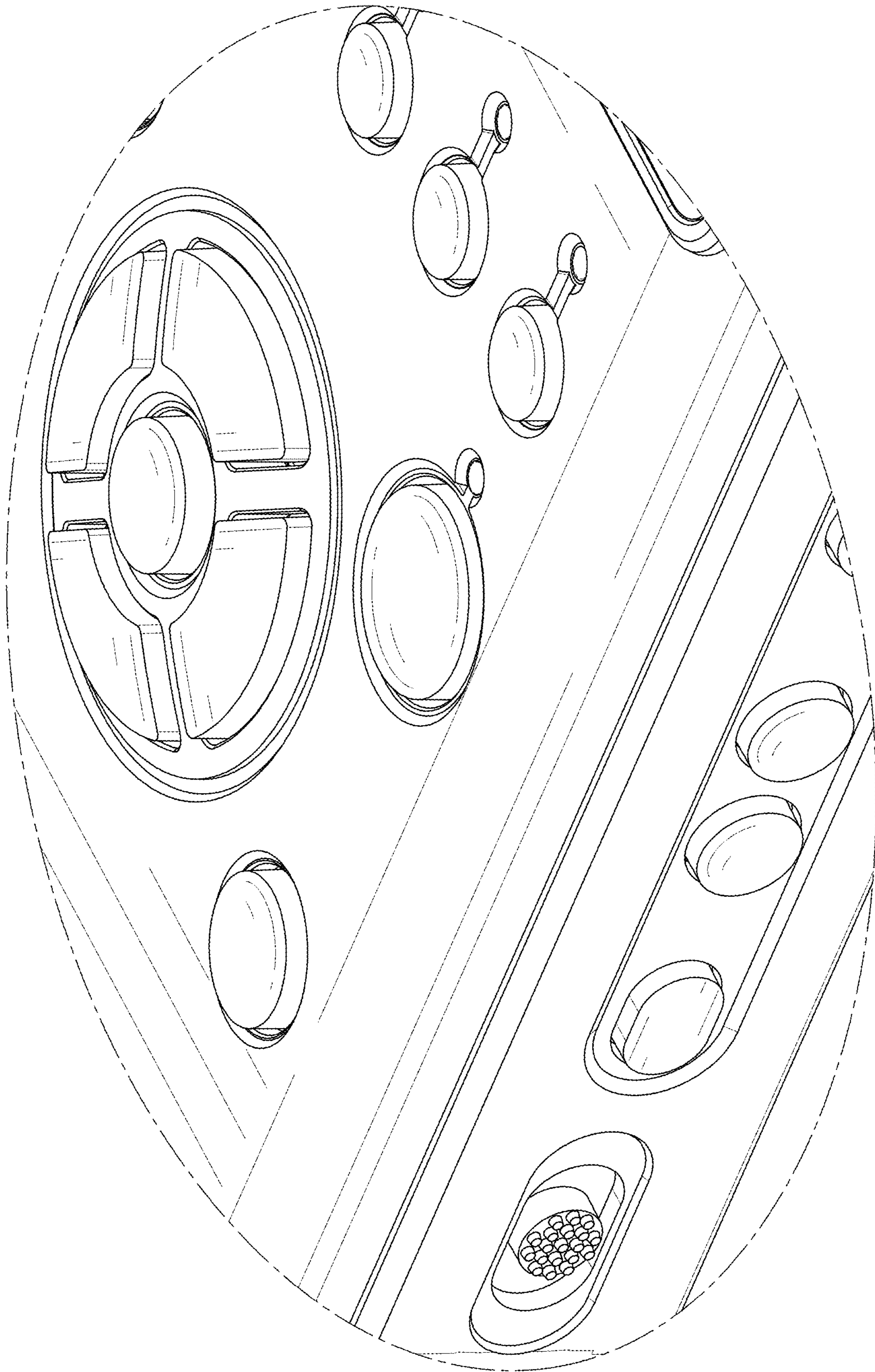


FIG. 9

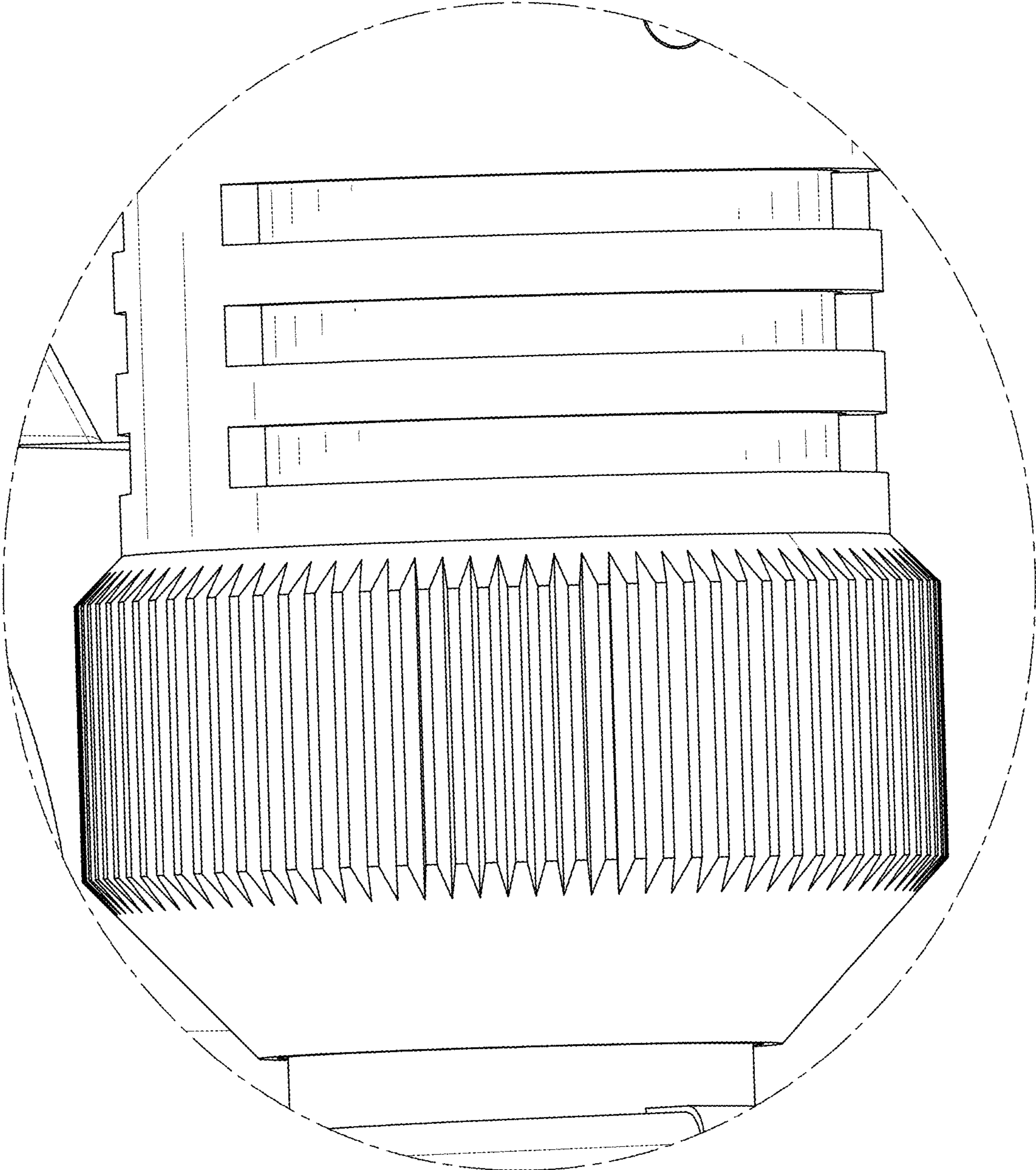


FIG. 10