



US00D937800S

(12) **United States Design Patent**
Hochhalter

(10) **Patent No.:** **US D937,800 S**

(45) **Date of Patent:** **** Dec. 7, 2021**

(54) **INTERCOM CONVERSION COVER FOR SMART HOME DEVICE**

(71) Applicant: **Nathan Hochhalter**, Inverness, IL (US)

(72) Inventor: **Nathan Hochhalter**, Inverness, IL (US)

(**) Term: **15 Years**

(21) Appl. No.: **29/729,585**

(22) Filed: **Mar. 27, 2020**

(51) **LOC (13) Cl.** **14-03**

(52) **U.S. Cl.**
USPC **D14/159**

(58) **Field of Classification Search**
USPC D14/302-307, 900-902, 159; D13/163;
D20/10; D21/332, 325, 369, 370;
D99/28; D6/397, 466; 194/206;
361/679.01, 679.02, 679.04, 679.21,
361/679.57, 725
CPC G06Q 20/18; G06Q 20/10; G06Q 20/123;
G06Q 20/20; G06Q 30/02; G06Q 30/06;
A47F 9/047
See application file for complete search history.

(56) **References Cited**

U.S. PATENT DOCUMENTS

D394,656 S * 5/1998 Kato D14/159
D522,490 S * 6/2006 Yukikado D14/159

D735,160 S * 7/2015 Hinkel D14/159
D761,754 S * 7/2016 Michielan D14/159
D761,755 S * 7/2016 Michielan D14/159
D761,758 S * 7/2016 Michielan D14/159
D766,864 S * 9/2016 Tani D14/159
D820,804 S * 6/2018 Nagatsuka D14/159
D820,805 S * 6/2018 Nagatsuka D14/159
D848,392 S * 5/2019 Zeng D14/159

* cited by examiner

Primary Examiner — Austin Murphy

(74) *Attorney, Agent, or Firm* — Charles F. Meroni, Jr.;
Meroni & Meroni, P.C.

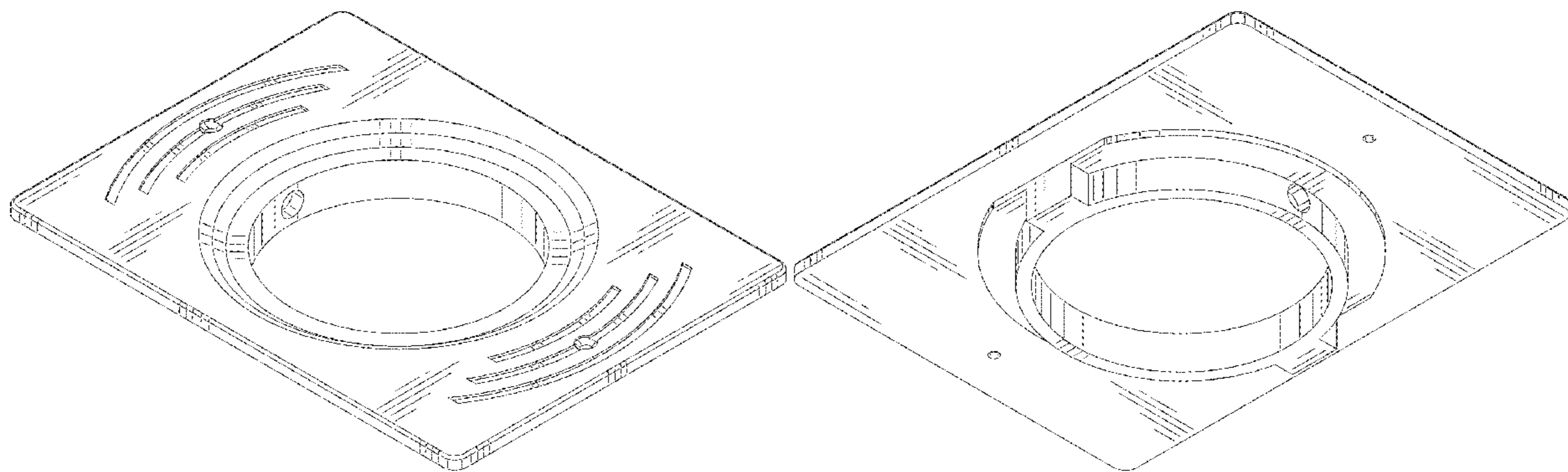
(57) **CLAIM**

The ornamental design for a intercom conversion cover for smart home device, as shown and described.

DESCRIPTION

FIG. 1 is a top perspective view of a cover showing our new design.
FIG. 2 is a bottom perspective view thereof.
FIG. 3 is a top view thereof.
FIG. 4 is a bottom view thereof.
FIG. 5 is a left side view thereof.
FIG. 6 is a right side view thereof.
FIG. 7 is a front view thereof; and,
FIG. 8 is a back view thereof.

1 Claim, 4 Drawing Sheets



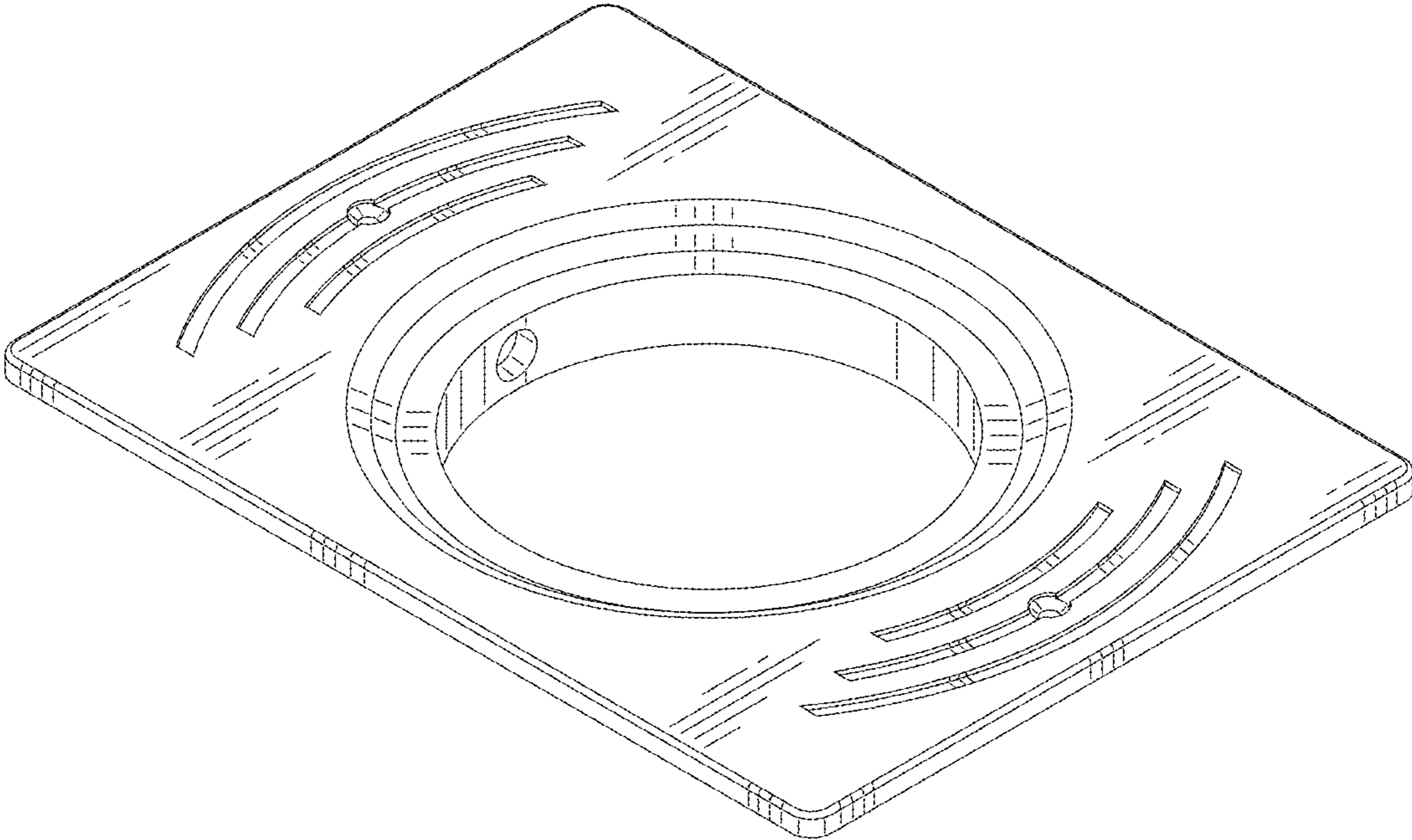


FIG. 1

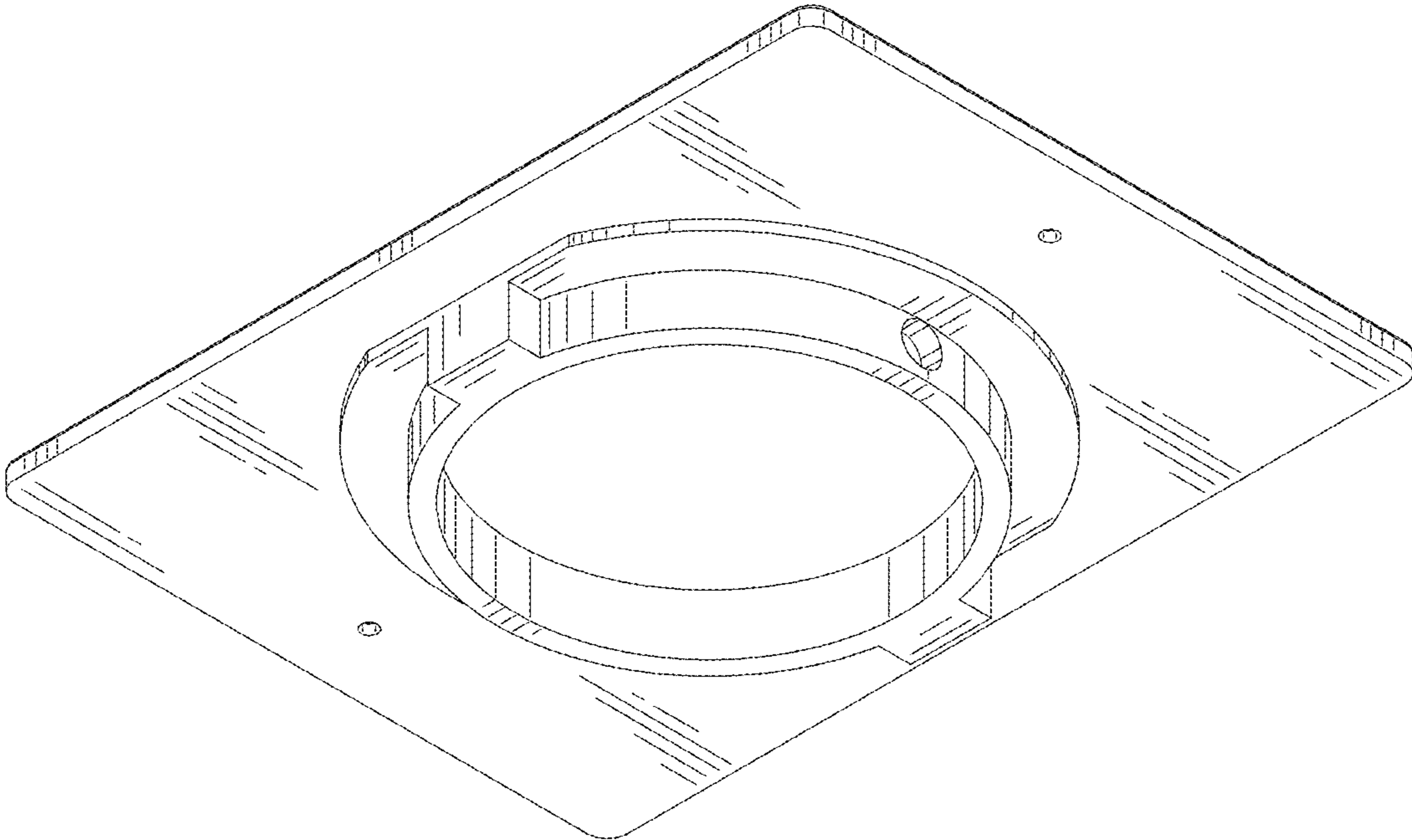


FIG. 2

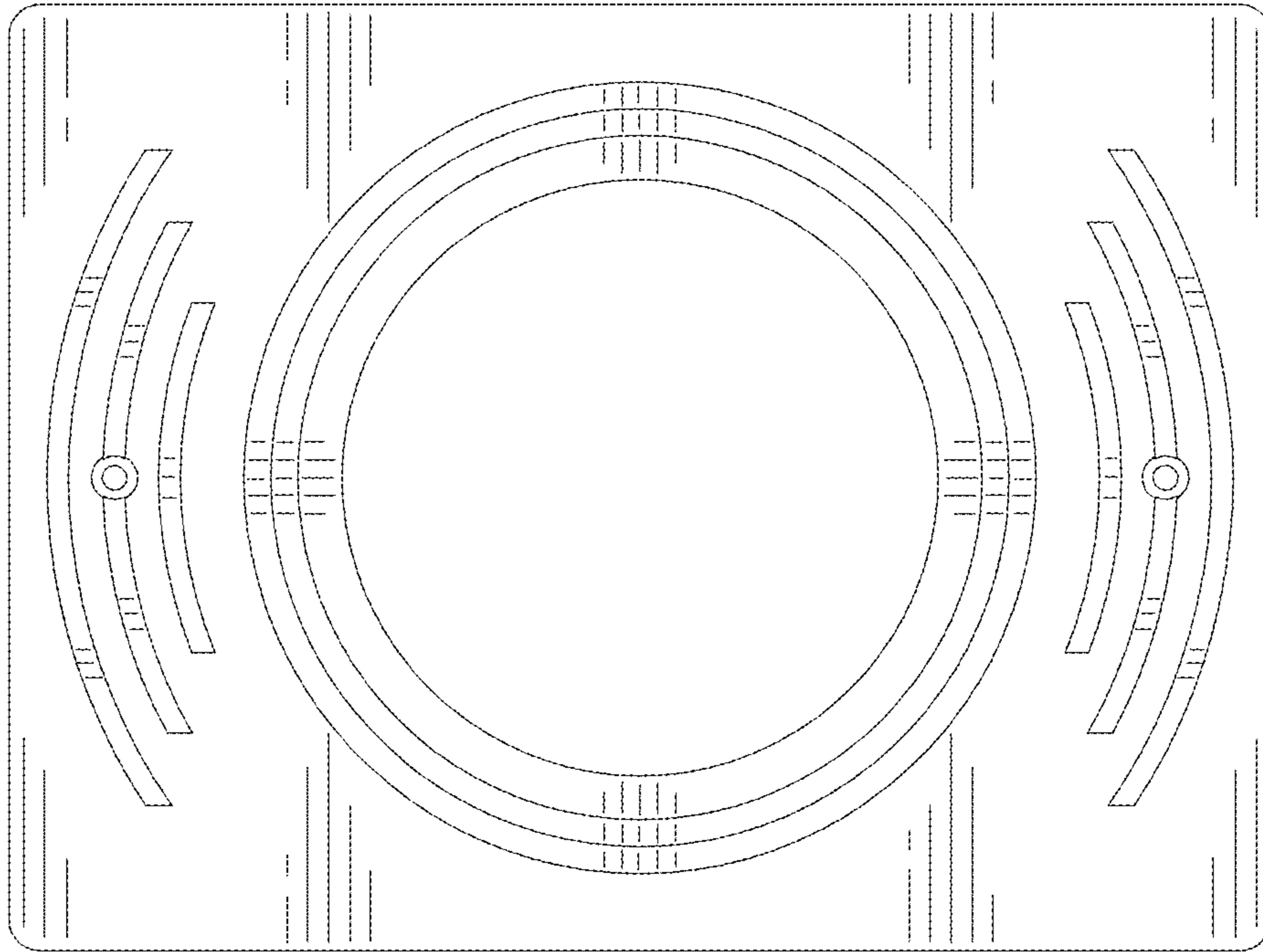


FIG. 3

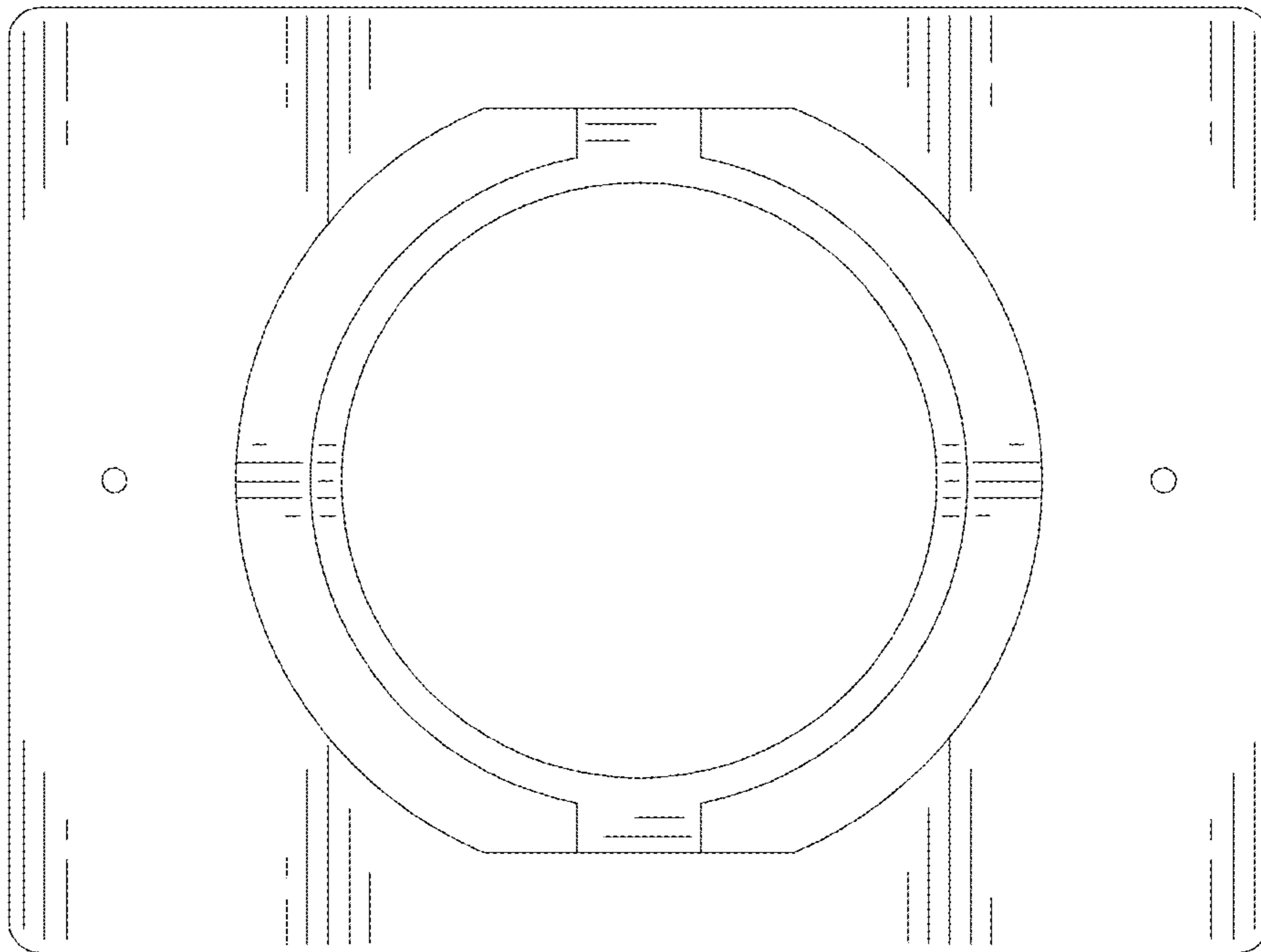


FIG. 4

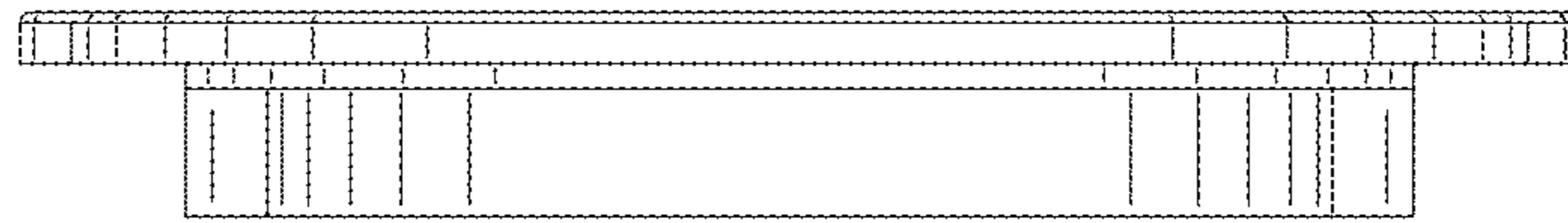


FIG. 5

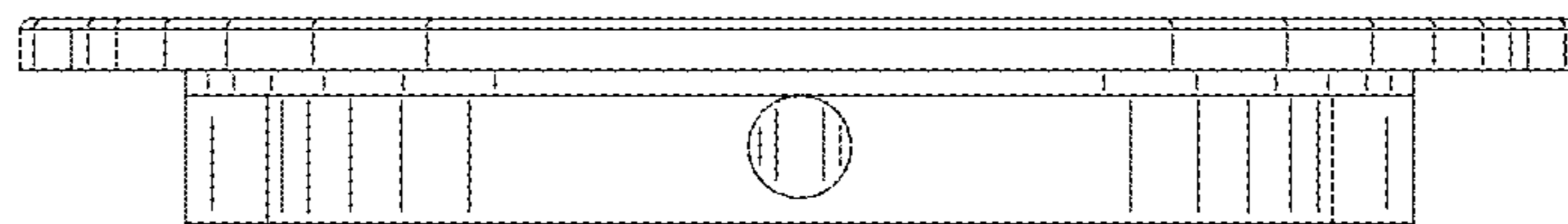


FIG. 6

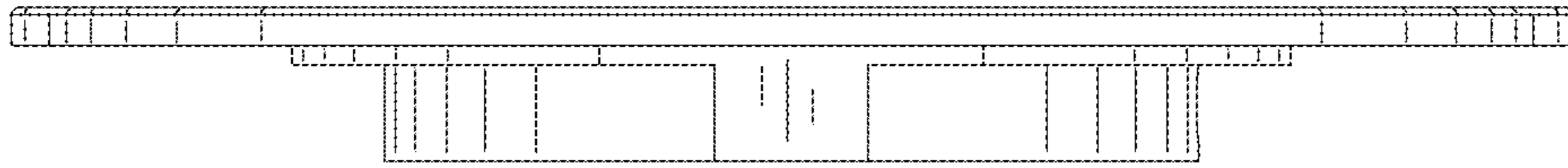


FIG. 7

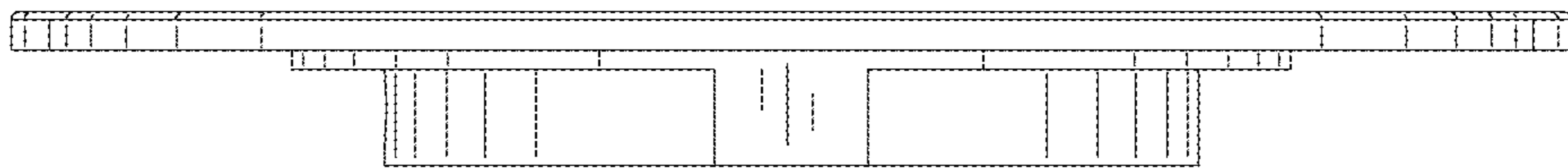


FIG. 8