



US00D937794S

(12) **United States Design Patent**
Park et al.

(10) **Patent No.:** **US D937,794 S**
(45) **Date of Patent:** **** Dec. 7, 2021**

(54) **TELEVISION RECEIVER**

(71) Applicant: **Samsung Electronics Co., Ltd.**,
Suwon-si (KR)
(72) Inventors: **Jin-Su Park**, Suwon-si (KR); **Gil-Jae Lee**,
Suwon-si (KR); **Hee-Bong Kim**,
Suwon-si (KR); **Pil-Kwon Jung**,
Suwon-si (KR); **Yong-Gu Do**, Suwon-si
(KR)
(73) Assignee: **SAMSUNG ELECTRONICS CO., LTD.**,
Suwon-si (KR)

(**) Term: **15 Years**
(21) Appl. No.: **29/726,270**
(22) Filed: **Mar. 2, 2020**

(30) **Foreign Application Priority Data**

Sep. 3, 2019 (KR) 30-2019-0042405

(51) **LOC (13) Cl.** **14-03**

(52) **U.S. Cl.**
USPC **D14/126**

(58) **Field of Classification Search**
USPC D14/125-134, 136, 239, 305, 307,
D14/314-316, 335, 336, 340, 371-377,
D14/448-451; D20/10, 17, 18, 19, 21,
D20/27, 39, 41, 42, 99; D21/329, 332,
D21/51; D6/308, 309
CPC G02B 6/0068; G06F 1/16; G06F 1/1601;
G06F 1/1637; G06F 1/1643; H04N 5/64;
H04N 5/66; H04N 5/655; H04N 7/00;
H04N 9/3141; H04N 13/0459; H04N
17/04; H04N 17/004; H04N 21/43637;
H05K 5/0204; H05K 5/0004; H05K
5/0017; H05K 5/0217; H05K 5/02

See application file for complete search history.

(56) **References Cited**

U.S. PATENT DOCUMENTS

D612,820 S * 3/2010 Jeong D14/126
D624,512 S * 9/2010 Kim D14/126

(Continued)

FOREIGN PATENT DOCUMENTS

EM 001905902-0004 3/2012
EM 004372001-0002 4/2018

(Continued)

Primary Examiner — Ramzi Almatrahi
Assistant Examiner — Charles Cunningham
(74) *Attorney, Agent, or Firm* — McAndrews Held &
Malloy, Ltd.

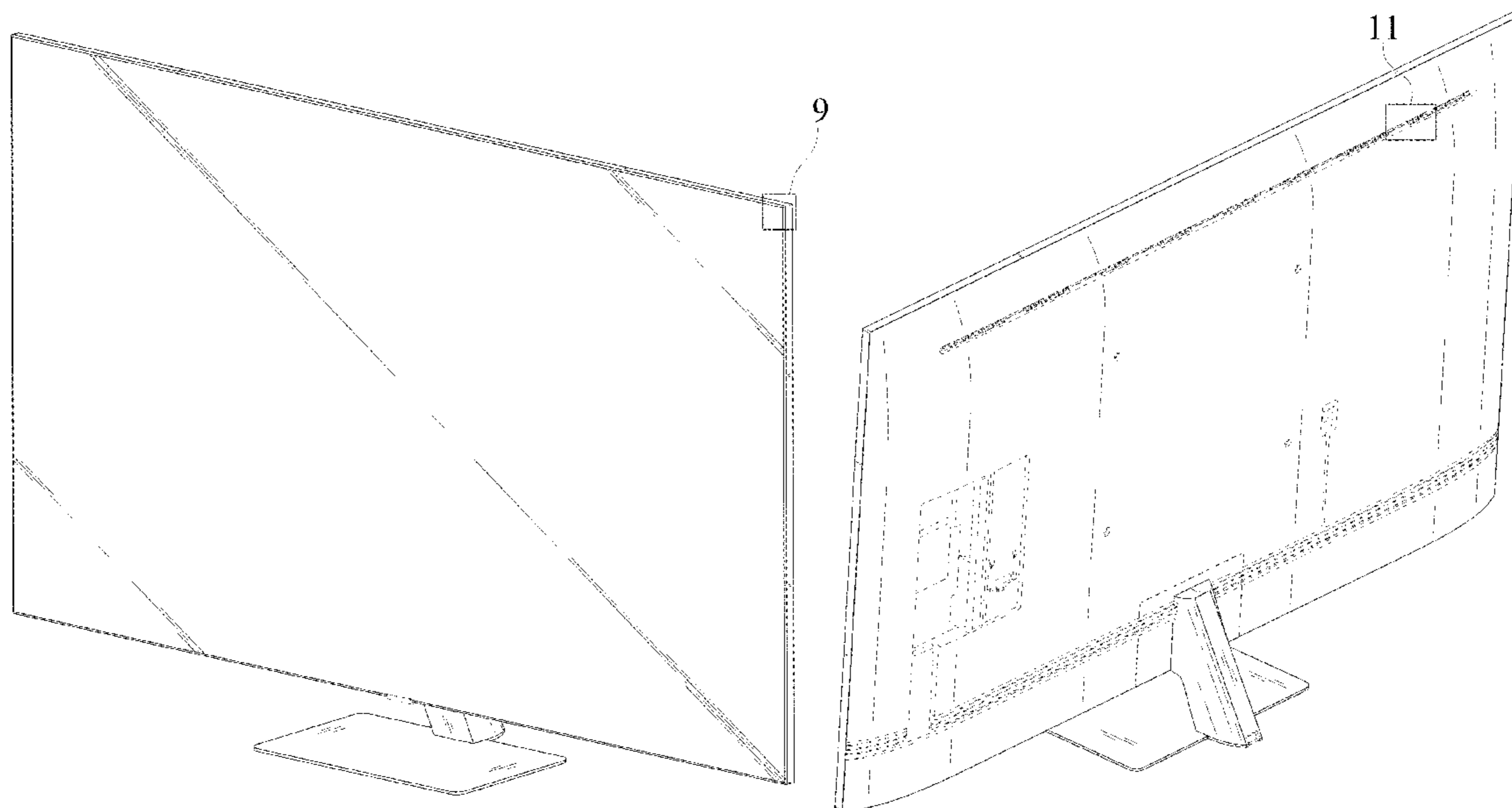
(57) **CLAIM**

The ornamental design for a television receiver, as shown and described.

DESCRIPTION

FIG. 1 is a front perspective view of a television receiver showing our new design;
FIG. 2 is a front elevation view thereof;
FIG. 3 is a rear elevation view thereof;
FIG. 4 is a left side elevation view thereof;
FIG. 5 is a right side elevation view thereof;
FIG. 6 is a top plan view thereof;
FIG. 7 is a bottom plan view thereof;
FIG. 8 is a rear perspective view thereof;
FIG. 9 is an enlarged view of portion 9 shown in FIG. 1;
FIG. 10 is an enlarged view of portion 10 shown in FIG. 3; and,
FIG. 11 is an enlarged view of portion 11 shown in FIG. 8. The dashed broken lines in the drawings illustrate portions of the television receiver that form no part of the claimed design. The dot-dot-dash broken lines in the drawings encircling enlargement portions of the design form no part of the claimed design.

1 Claim, 11 Drawing Sheets



(56)

References Cited

U.S. PATENT DOCUMENTS

D642,147 S *	7/2011	Won	D14/126
D646,245 S *	10/2011	Ryu	D14/126
D655,264 S *	3/2012	Lee	D14/126
D656,117 S *	3/2012	Won	D14/126
D676,006 S *	2/2013	Choi	D14/126
D689,454 S *	9/2013	Shih	D14/126
D700,155 S *	2/2014	McManigal	D14/126
D715,755 S *	10/2014	Jang	D14/126
D742,375 S *	11/2015	Kang	D14/371
D786,247 S *	5/2017	Won	D14/375
D900,763 S *	11/2020	Lee	D14/126
D924,882 S *	7/2021	Park	D14/451

FOREIGN PATENT DOCUMENTS

KR	300611100	9/2011
KR	300976788	4/2019
WO	DM091835	12/2016

* cited by examiner

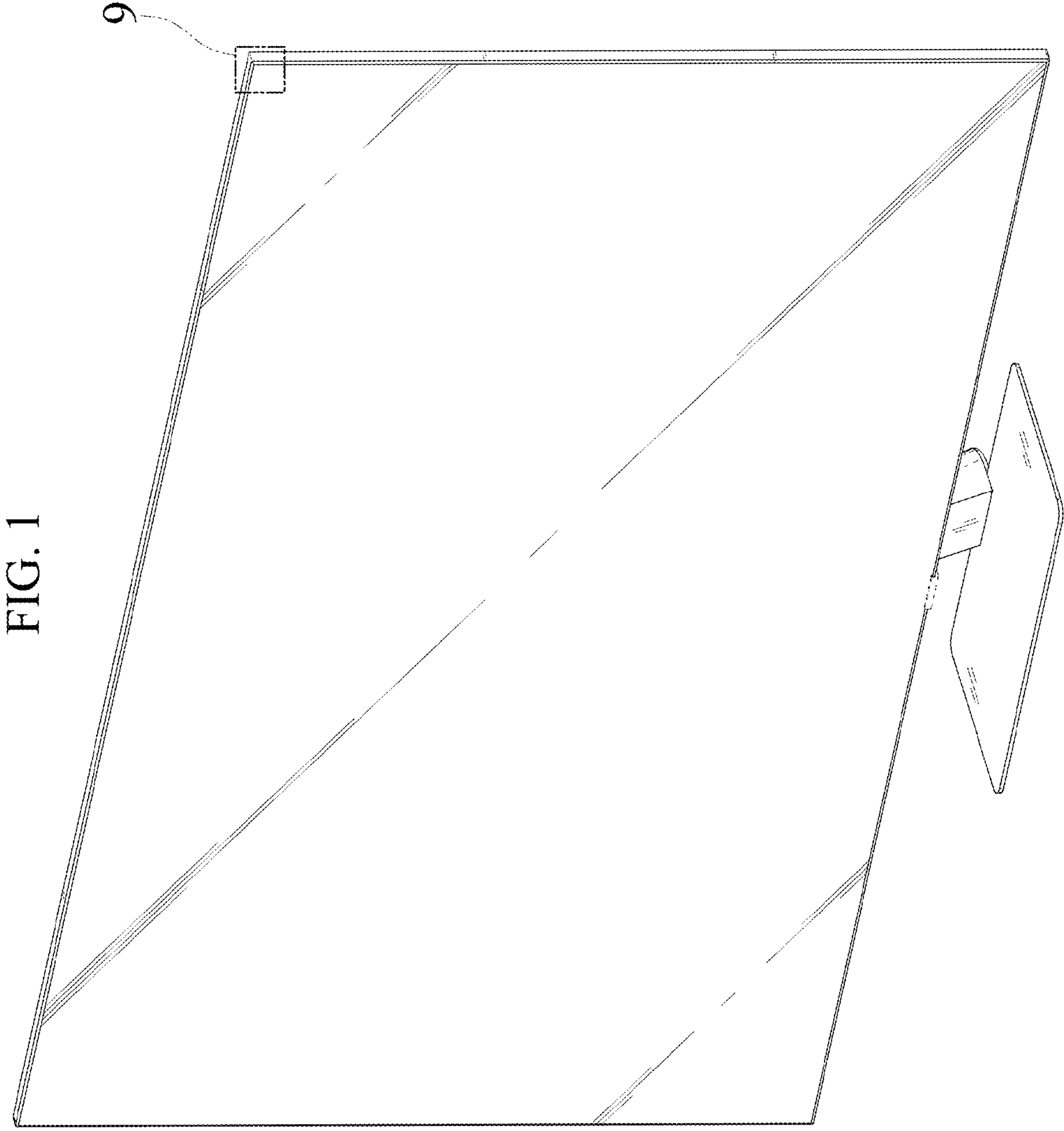
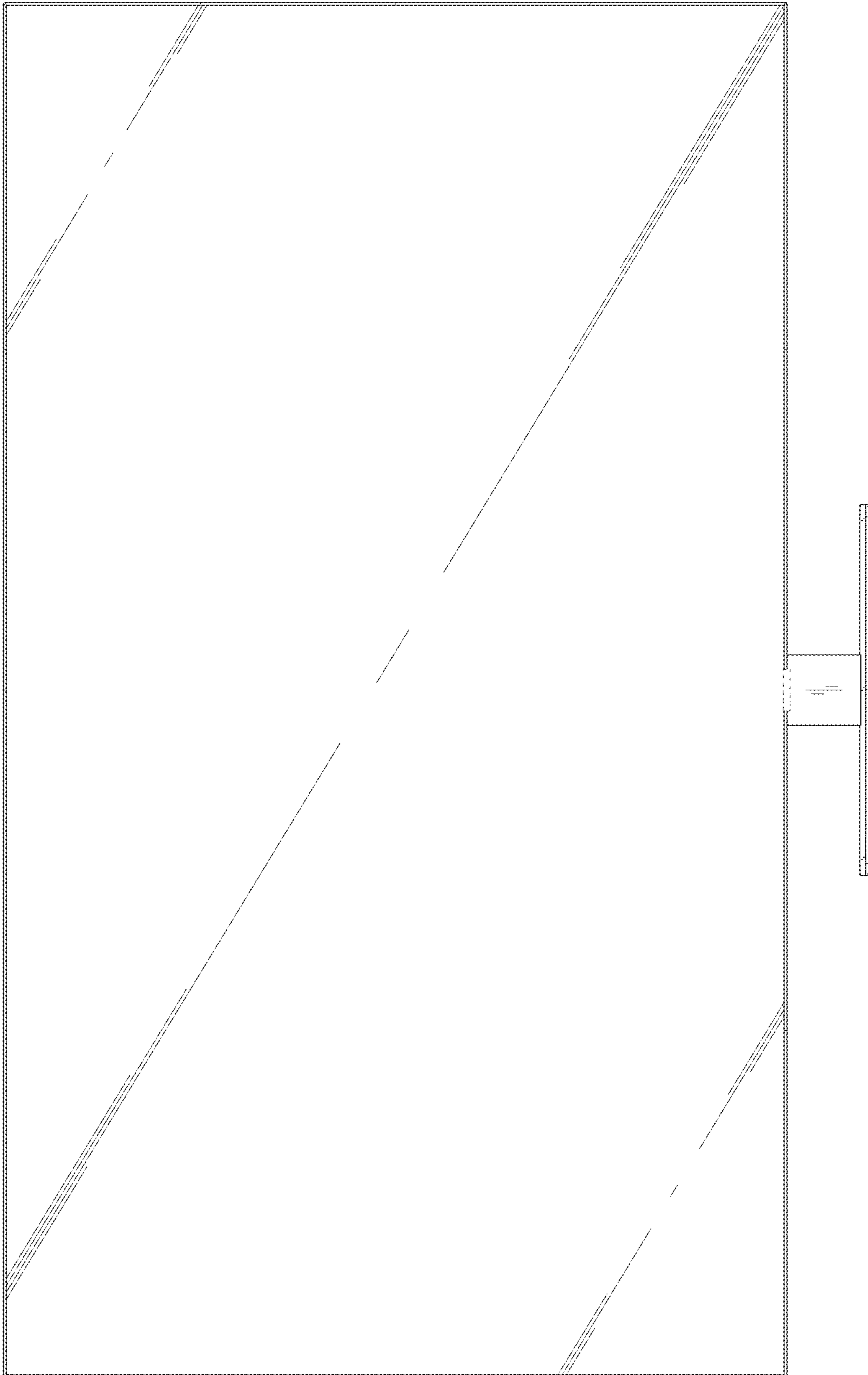


FIG. 2



10

FIG. 3

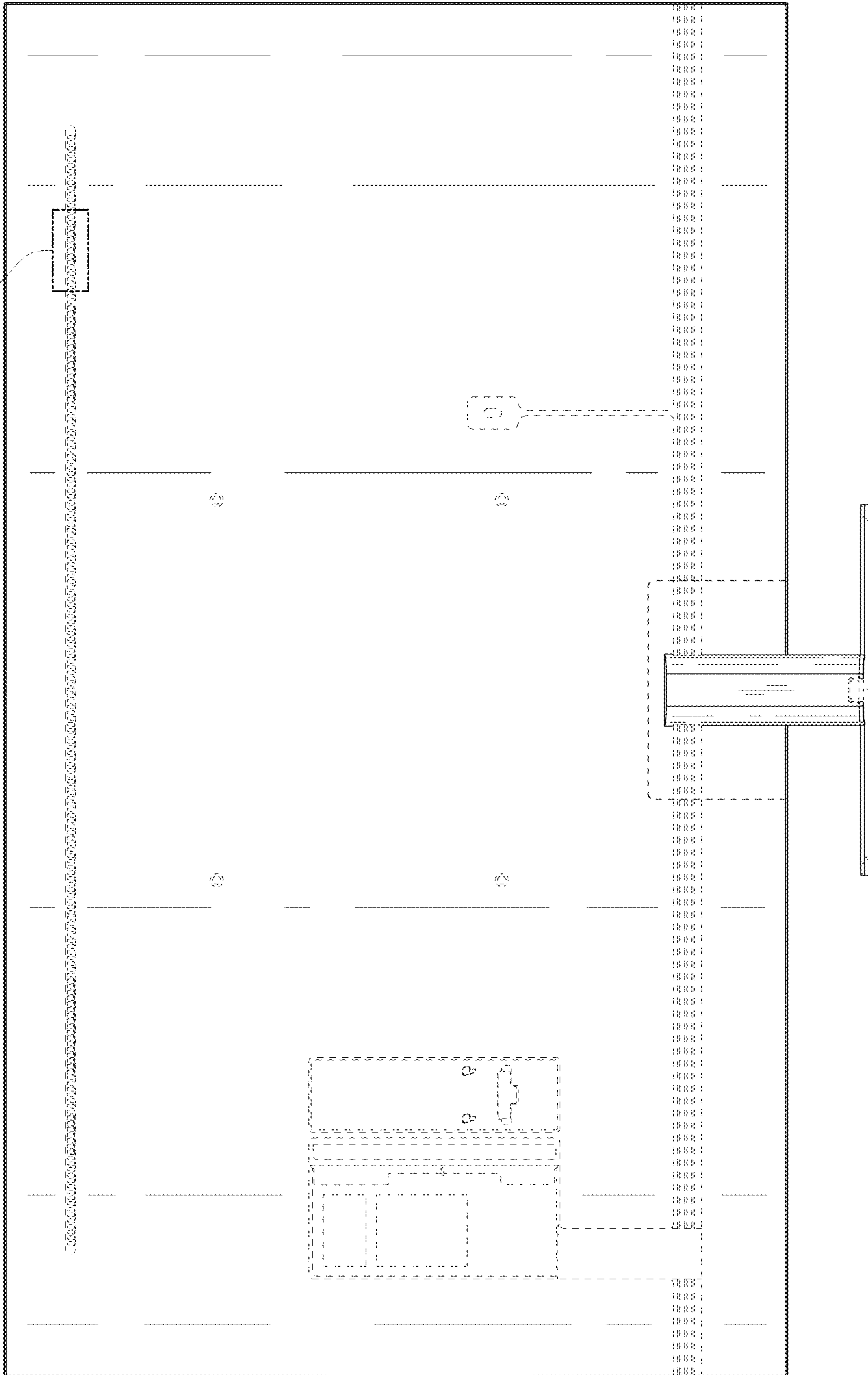


FIG. 4

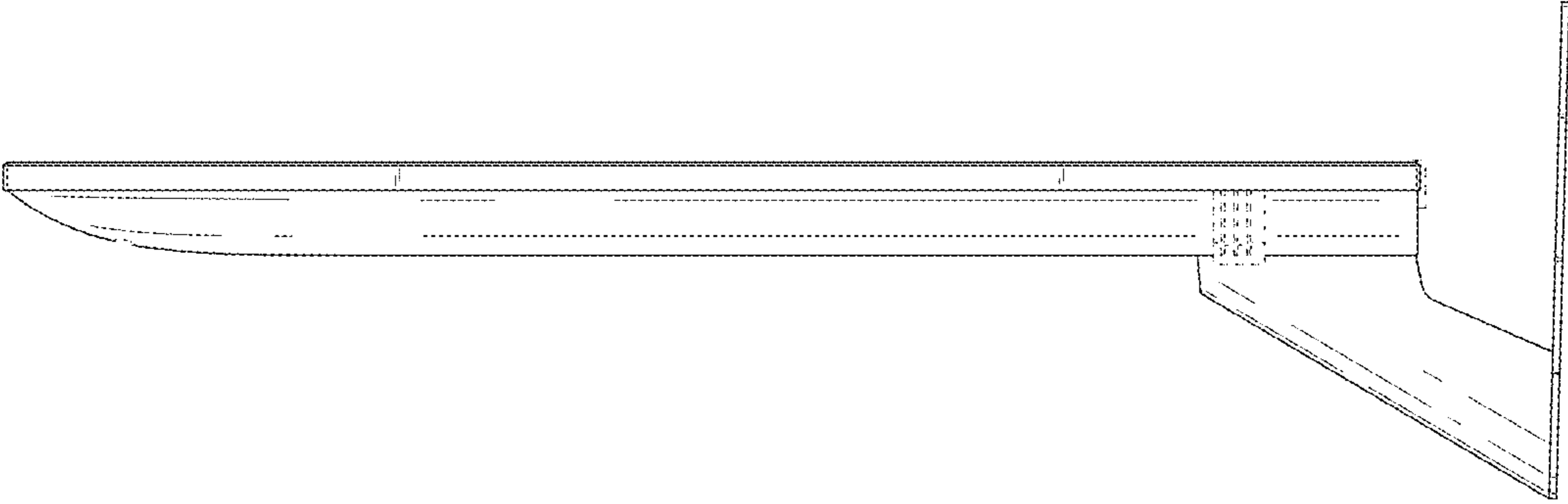


FIG. 5

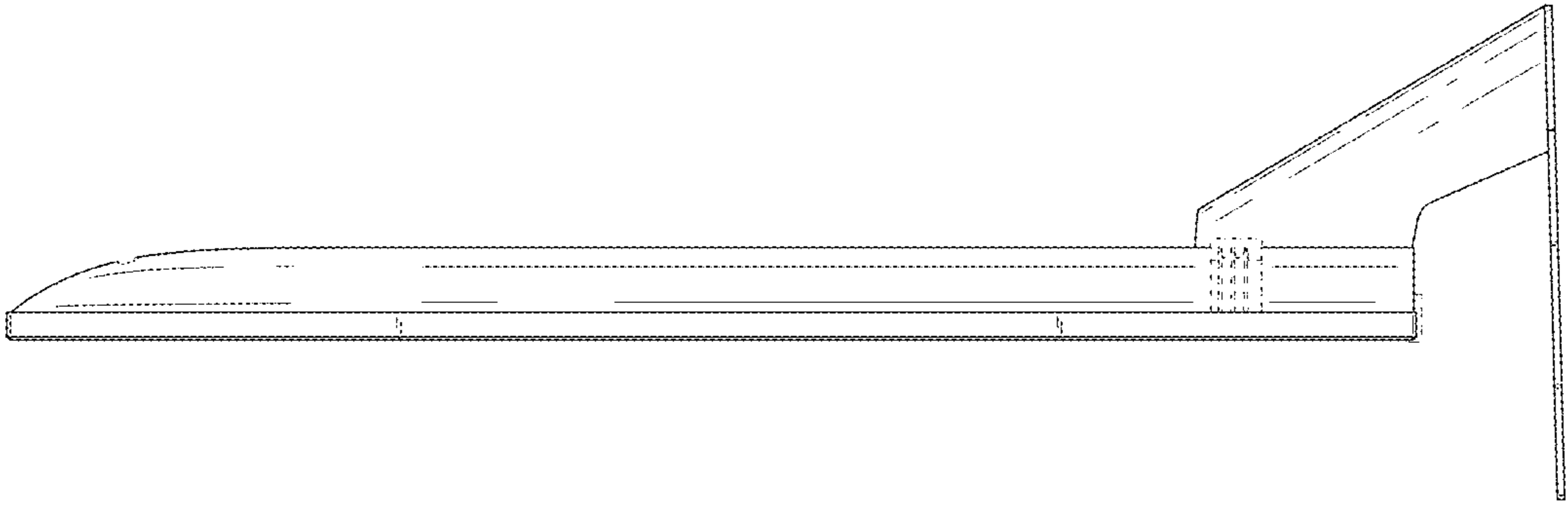


FIG. 6

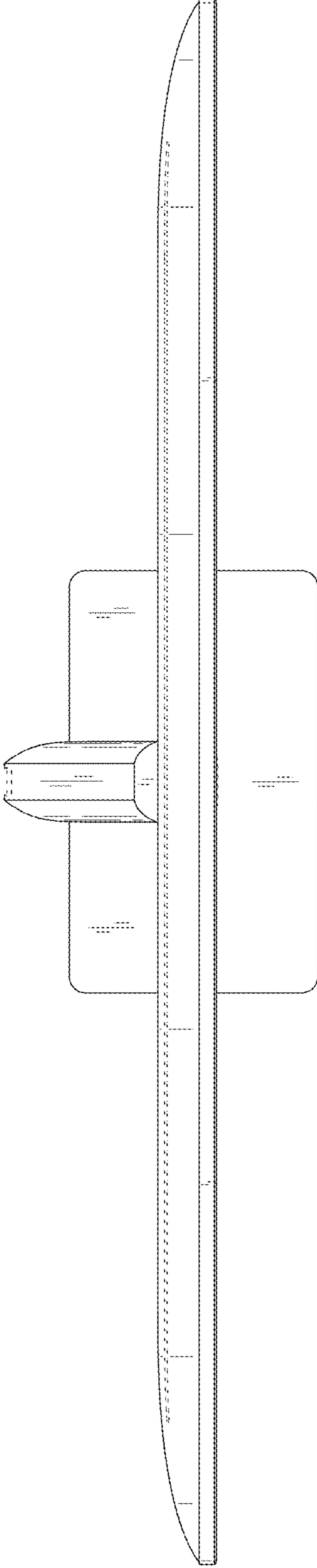
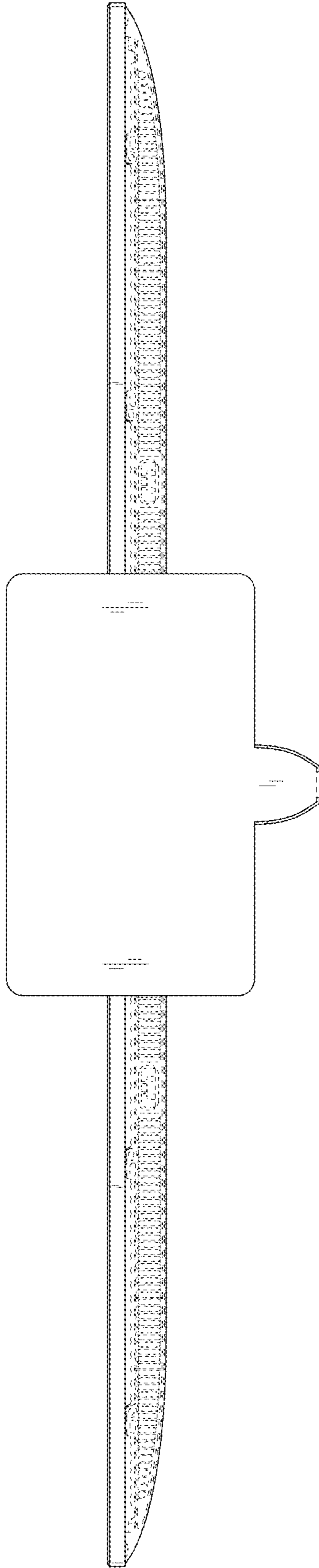


FIG. 7



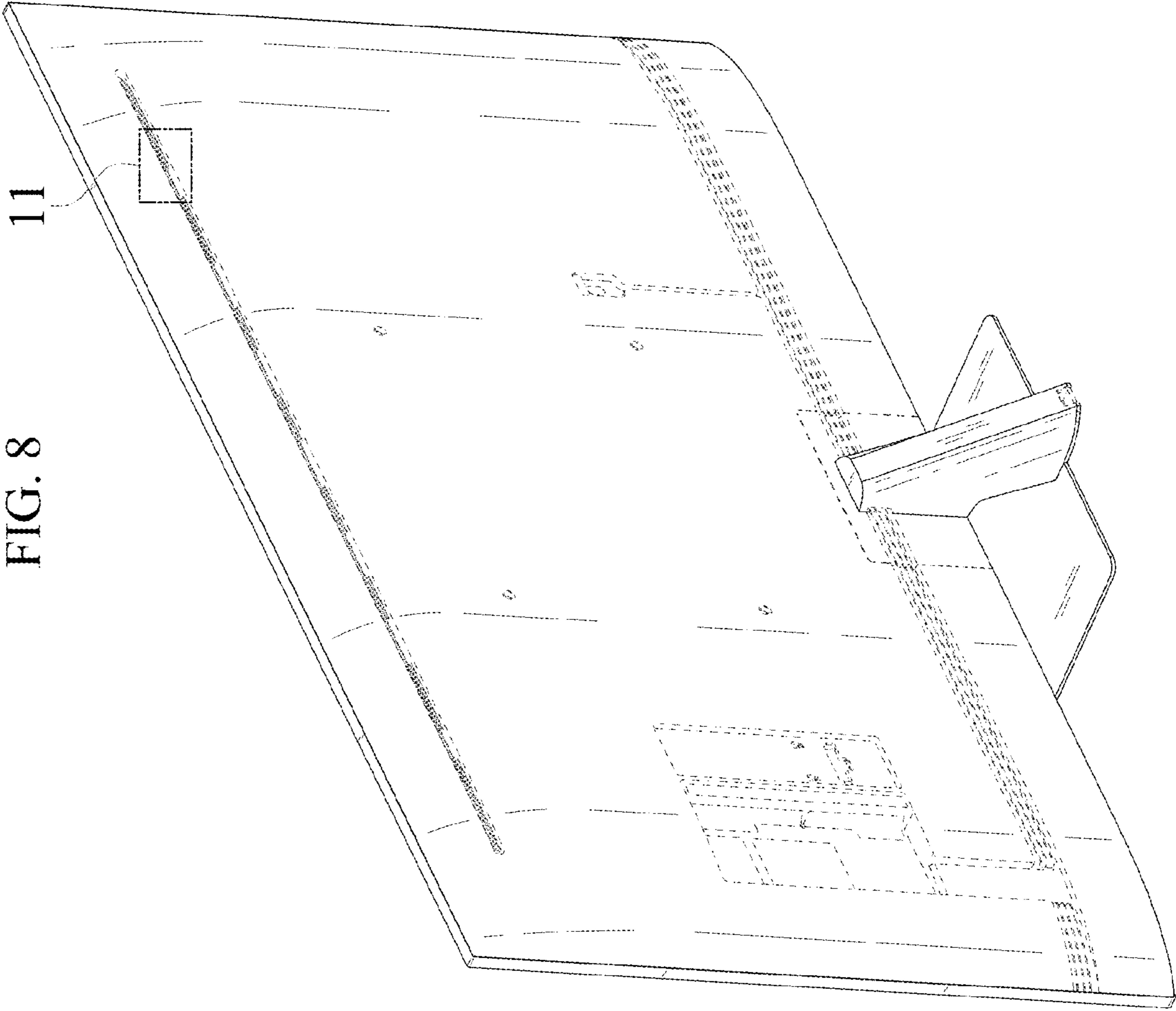


FIG. 8

11

FIG. 9

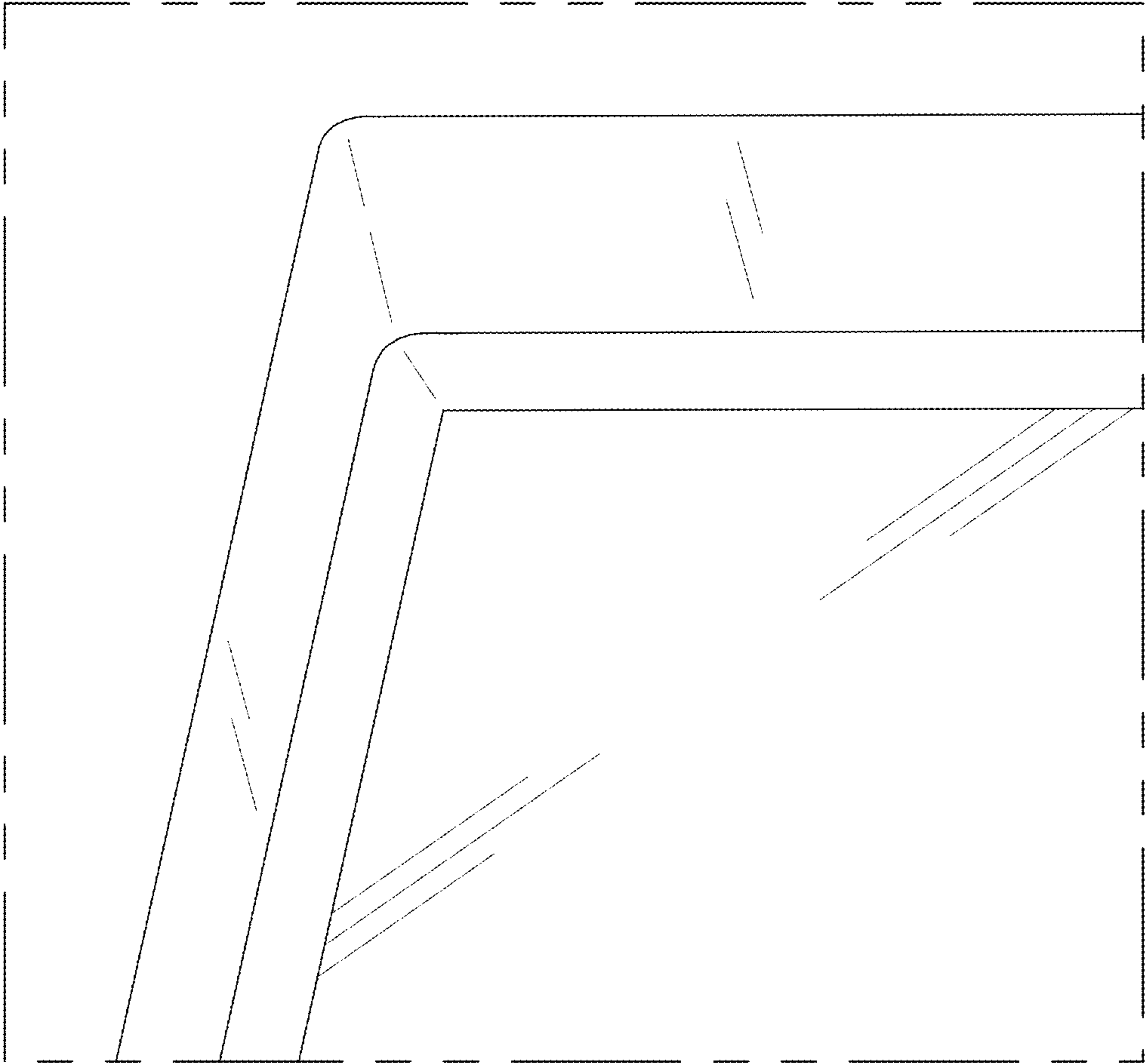


FIG. 10

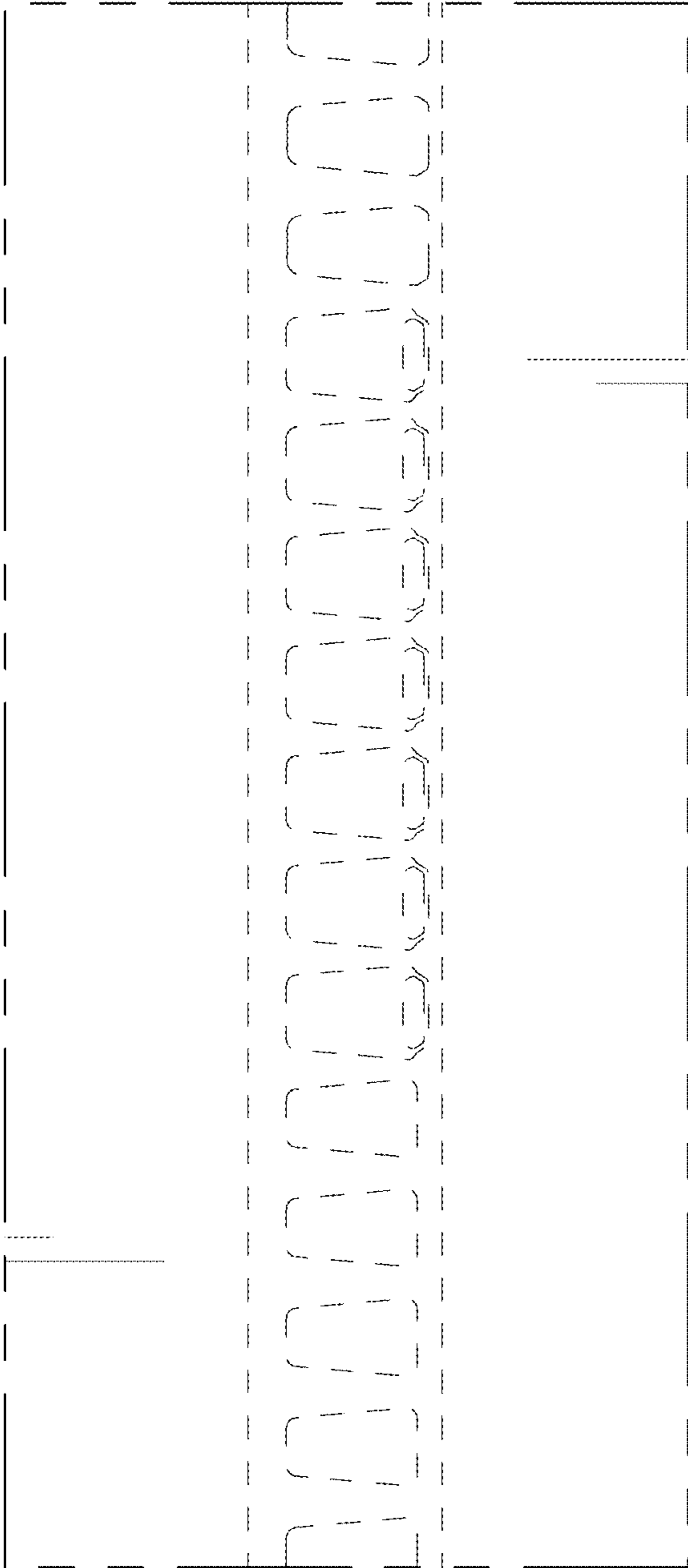


FIG. 11

