



US00D937792S

(12) **United States Design Patent** (10) **Patent No.:** **US D937,792 S**  
**McBride et al.** (45) **Date of Patent:** **\*\* Dec. 7, 2021**

(54) **CIRCUIT BOARD**

(71) Applicant: **THE NOCO COMPANY**, Glenwillow, OH (US)

(72) Inventors: **James P. McBride**, Phoenix, AZ (US);  
**Matthew Michael Bosway**, Gilbert, AZ (US)

(73) Assignee: **THE NOCO COMPANY**, Glenwillow, OH (US)

(\*\*) Term: **15 Years**

(21) Appl. No.: **29/704,995**

(22) Filed: **Sep. 9, 2019**

**Related U.S. Application Data**

(63) Continuation of application No. 16/564,758, filed on Sep. 9, 2019.

(51) **LOC (13) Cl.** ..... **13-03**

(52) **U.S. Cl.**  
USPC ..... **D13/182**

(58) **Field of Classification Search**

USPC ..... D13/182; 361/748, 752, 760, 761, 807, 361/808, 736, 719, 720; 174/250, 253, 174/255, 68.1; 363/144, 147

CPC ..... H05K 3/30; H05K 3/301; H05K 3/284; H05K 3/303; H05K 1/18; H05K 1/181; H05K 1/182; H05K 1/183; H05K 1/185; H05K 1/00; H05K 7/1417; H05K 7/02; H05K 7/12; H05K 7/06; H01L 2924/14

See application file for complete search history.

(56) **References Cited**

**U.S. PATENT DOCUMENTS**

D327,883 S \* 7/1992 Gloton ..... D13/182  
D328,599 S \* 8/1992 Gloton ..... D13/182

D459,706 S \* 7/2002 Ebihara ..... D13/182  
D466,093 S \* 11/2002 Ebihara ..... D13/182  
D471,167 S \* 3/2003 Ebihara ..... D13/182  
D471,524 S \* 3/2003 Ebihara ..... D13/182  
D547,371 S \* 7/2007 Miller ..... D19/1  
D552,098 S \* 10/2007 Nishizawa ..... D14/436  
D637,193 S \* 5/2011 Andre ..... D14/436  
D639,756 S \* 6/2011 Greene, Jr. .... D13/182  
D642,546 S \* 8/2011 Greene, Jr. .... D13/182  
D669,478 S \* 10/2012 Lepp ..... D14/436  
D669,479 S \* 10/2012 Lepp ..... D14/436  
D673,921 S \* 1/2013 Ozawa ..... D13/182  
D673,922 S \* 1/2013 Moriai ..... D13/182  
D690,672 S \* 10/2013 Yoshida ..... D13/182  
D734,756 S \* 7/2015 Stone ..... D14/436  
D735,203 S \* 7/2015 Kim ..... D14/436  
D735,204 S \* 7/2015 Kim ..... D14/436  
D736,212 S \* 8/2015 Kang ..... D14/436  
D736,213 S \* 8/2015 Kang ..... D14/436  
D736,216 S \* 8/2015 Kang ..... D14/436  
D739,856 S \* 9/2015 Kang ..... D14/436  
D757,015 S \* 5/2016 Amit ..... D14/436  
D759,022 S \* 6/2016 Beals ..... D14/436  
D772,232 S \* 11/2016 Cho ..... D14/436  
D783,621 S \* 4/2017 Lee ..... D14/436  
D813,182 S \* 3/2018 Imai ..... D13/182  
D814,473 S \* 4/2018 Kadonaga ..... D14/436

(Continued)

*Primary Examiner* — Elizabeth J Oswecki

(74) *Attorney, Agent, or Firm* — Vorys, Sater, Seymour & Pease LLP; William Klima

(57) **CLAIM**

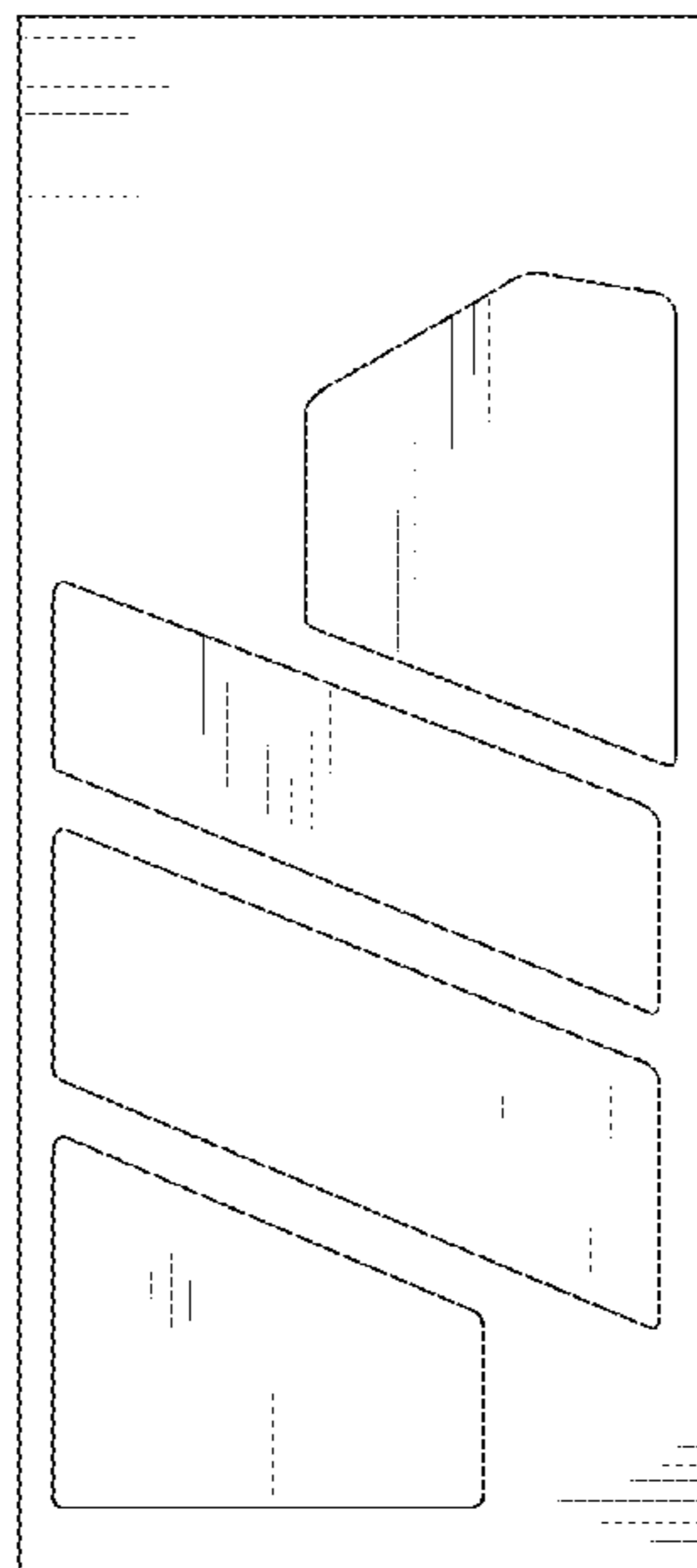
The ornamental design for a circuit board, as shown and described.

**DESCRIPTION**

The sole FIGURE is a front elevational view of a circuit board, showing our new design.

All surfaces not shown form no part of the claimed design.

**1 Claim, 1 Drawing Sheet**



(56)

**References Cited**

U.S. PATENT DOCUMENTS

D837,171	S *	1/2019	Vasoya	.....	D13/182
D848,432	S *	5/2019	Lim	.....	D14/436
D856,948	S *	8/2019	Vasoya	.....	D13/182
D864,968	S *	10/2019	Beals	.....	D14/436
D869,469	S *	12/2019	Lim	.....	D14/436
D869,470	S *	12/2019	Lim	.....	D14/436
D872,032	S *	1/2020	Morelli	.....	D13/147
D872,033	S *	1/2020	Morelli	.....	D13/147
D893,439	S *	8/2020	Vasoya	.....	D13/182
D902,164	S *	11/2020	Kondo	.....	D13/182
D909,319	S *	2/2021	Nordeen	.....	D13/182
2003/0081387	A1 *	5/2003	Schulz	.....	H05K 1/117 361/728
2006/0097374	A1 *	5/2006	Egawa	.....	H01L 24/05 257/686
2009/0268390	A1 *	10/2009	King	.....	G06F 13/409 361/679.33

\* cited by examiner

