



US00D937790S

(12) **United States Design Patent**
Grandadam

(10) **Patent No.:** **US D937,790 S**

(45) **Date of Patent:** **** Dec. 7, 2021**

(54) **LIGHT SWITCH WITH SLIDING ACTUATOR AND INTEGRATED LIGHT SOURCE**

(71) Applicant: **Promier Products Inc.**, Peru, IL (US)

(72) Inventor: **Cody Grandadam**, Peru, IL (US)

(73) Assignee: **Promier Products Inc.**, Peru, IL (US)

(**) Term: **15 Years**

(21) Appl. No.: **29/761,081**

(22) Filed: **Dec. 7, 2020**

Related U.S. Application Data

(63) Continuation of application No. 29/670,565, filed on Nov. 16, 2018, now Pat. No. Des. 904,319.

(51) **LOC (13) Cl.** **13-03**

(52) **U.S. Cl.**
USPC **D13/170; D13/174**

(58) **Field of Classification Search**
USPC D13/162, 170, 173, 174
CPC F21V 23/04; H01H 3/0213; H01H 15/00;
H01H 15/02; H01H 15/025; H01H 15/06;
H01H 15/10; H01H 9/02; H01H 9/0271;
H01H 9/16; H01H 9/161; H01H 9/18;
H01H 9/181; H01H 9/182

See application file for complete search history.

(56) **References Cited**

U.S. PATENT DOCUMENTS

- 4,803,380 A * 2/1989 Jacoby, Jr. H05B 39/00
307/157
- 4,924,349 A * 5/1990 Buehler H02G 3/14
174/55
- 4,947,054 A 8/1990 Flowers et al.
- 4,972,045 A 11/1990 Primeau
- 4,988,840 A 1/1991 Carson et al.
- 5,017,837 A 5/1991 Hanna et al.
- 5,064,276 A 11/1991 Endo et al.
- D336,744 S 6/1993 Kahn et al.

(Continued)

FOREIGN PATENT DOCUMENTS

EP	2149744	2/2010
EP	2568488	3/2013
KR	2016003934	10/2016

OTHER PUBLICATIONS

LitezAll Glyde Wireless Night Lightswitch; Feb. 12, 2019; 6 pgs.; https://www.amazon.com/Promier-LitezAll-Wireless-Switch-12-pack/dp/B07NP1DVLW/ref=asc_df_B07NP1DVLW/?tag=&linkCode=df0&hvadid=416668650463&hvpos=&hvptwo=&hvrand=8214593849803914928&hvpone=&hvqmt=&hvdev=c&hvdvcmdl=&hvlocint=&hvlocphy=1027116&hvt.*

(Continued)

Primary Examiner — Selina Sikder

(74) *Attorney, Agent, or Firm* — Barnes & Thornburg LLP

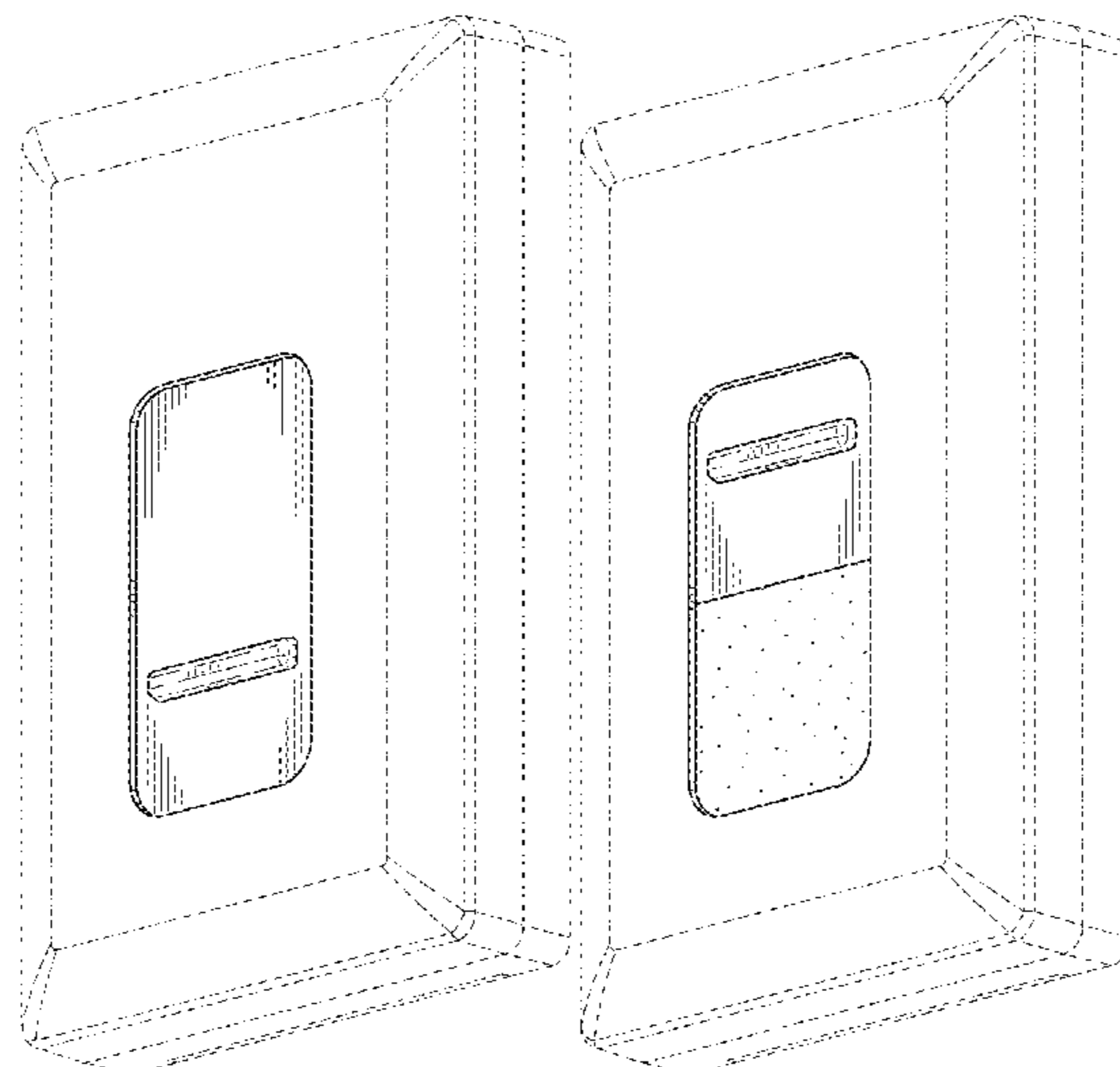
(57) **CLAIM**

I claim the ornamental design for a light switch with sliding actuator and integrated light source, as shown and described.

DESCRIPTION

FIG. 1 is a perspective view of a light switch with sliding actuator and integrated light source, according to a new design, where the light switch is shown in a closed position. FIG. 2 is a front view of the light switch of FIG. 1. FIG. 3 is a right side view of the light switch of FIG. 1. FIG. 4 is a left side view of the light switch of FIG. 1. FIG. 5 is a top view of the light switch of FIG. 1. FIG. 6 is a bottom view of the light switch of FIG. 1. FIG. 7 is a rear view of the light switch of FIG. 1. FIG. 8 is a perspective view of the light switch of FIG. 1, where the light switch is shown in an open position. FIG. 9 is a front view of the light switch of FIG. 8. FIG. 10 is a right side view of the light switch of FIG. 8; and, FIG. 11 is a left side view of the light switch of FIG. 8.

1 Claim, 8 Drawing Sheets



(56)

References Cited

U.S. PATENT DOCUMENTS

D339,326 S 9/1993 Mayo et al.
 5,618,100 A 4/1997 Glynn
 5,763,872 A 6/1998 Ness
 6,010,228 A 1/2000 Blackman et al.
 6,010,235 A 1/2000 Sawyer
 6,030,094 A 2/2000 Sedovic et al.
 6,520,661 B1 2/2003 Hill
 6,648,496 B1 11/2003 Elghoroury et al.
 7,021,788 B2 4/2006 Poon
 7,036,961 B2 5/2006 Defouw et al.
 7,122,753 B1 10/2006 Davis
 7,165,876 B2 1/2007 Dickie
 7,204,614 B2 4/2007 Hanis et al.
 7,273,983 B1 9/2007 Rintz
 7,506,990 B2 3/2009 Glazner
 7,582,828 B2 9/2009 Ryan
 D607,849 S 1/2010 Samuels et al.
 8,003,886 B1 8/2011 Rintz
 8,075,149 B2 12/2011 Ko et al.
 D652,549 S 1/2012 Pineault et al.
 8,247,693 B2 8/2012 Gober
 8,622,564 B2 1/2014 Chang et al.
 8,646,936 B2 2/2014 Goyal et al.
 8,912,442 B2 12/2014 Smith
 8,939,601 B1 1/2015 Lee
 D724,035 S 3/2015 Flowers et al.
 D751,236 S 3/2016 Renshaw et al.
 9,345,110 B2 5/2016 Miller
 9,384,657 B2 7/2016 Mullet et al.
 9,583,288 B2 2/2017 Jones et al.
 D782,986 S 4/2017 Vasquez et al.
 D795,203 S 8/2017 Vasquez et al.
 9,818,559 B2 11/2017 Tress et al.
 10,066,820 B2 9/2018 Johnson
 D837,746 S 1/2019 Guan et al.
 D839,217 S 1/2019 Hakkarainen et al.
 10,645,777 B2 * 5/2020 Casey H05B 45/20
 10,704,776 B2 * 7/2020 Grandadam F21V 23/04
 D904,319 S * 12/2020 Grandadam D13/170

D906,265 S * 12/2020 Young D13/170
 D914,617 S * 3/2021 Fu D13/170
 D916,036 S * 4/2021 Fu D13/170
 D925,477 S * 7/2021 Fu D13/170
 2004/0080932 A1 4/2004 Hata
 2005/0012633 A1 1/2005 Yoon
 2005/0195594 A1 9/2005 Kurtz
 2005/0237756 A1 10/2005 Ogawa
 2007/0217211 A1 9/2007 Hewson et al.
 2008/0043471 A1 2/2008 Musgrove et al.
 2008/0117623 A1 5/2008 Tarter
 2008/0169176 A1 7/2008 Yang
 2015/0228426 A1 * 8/2015 Romano H01H 3/22
 200/331
 2017/0187173 A1 * 6/2017 Mingout H02G 3/081
 2021/0185789 A1 * 6/2021 Smith G06F 3/0489
 2021/0202188 A1 * 7/2021 Benden H01H 9/185
 2021/0209903 A1 * 7/2021 Cardanha G08B 21/02

OTHER PUBLICATIONS

Flowt Premier Products Inc. TV207805 COB LED Switch Light, Jan. 24, 2008; 3 pgs.; https://www.amazon.com/Premier-Products-TV207805-Switch-Light/dp/B01A7RDIMM/ref=sr_1_1?dchild=1&keywords=Flowt+Premier+Products+Inc.+TV207805+COB+LED+Switch+Light&qid=1626992371&sr=8-1.*
 Premier—LitezAll COB LED Jumbo Cordless Light Switch 400 Lumens, Jul. 16, 2016 (3 pages).
 VIBELITE Tap Light, Magnet Stick-on Anywhere, Amazon, Nov. 5, 2017 (10 pages).
 Nebo Flipit Contemporary 2 Pack Portable LED Light, Amazon, Jul. 6, 2017 (7 pages).
 2 Light Switch Wall Nightlight 8-LED, Amazon, Aug. 17, 2015 (7 pages).
 Dimmable COB LED Cordless Switch Light, Amazon, Aug. 28, 2017 (10 pages).
 Might Light LED Motion Sensor Night Light, Banggood, Aug. 10, 2012 (8 pages).

* cited by examiner

FIG. 1

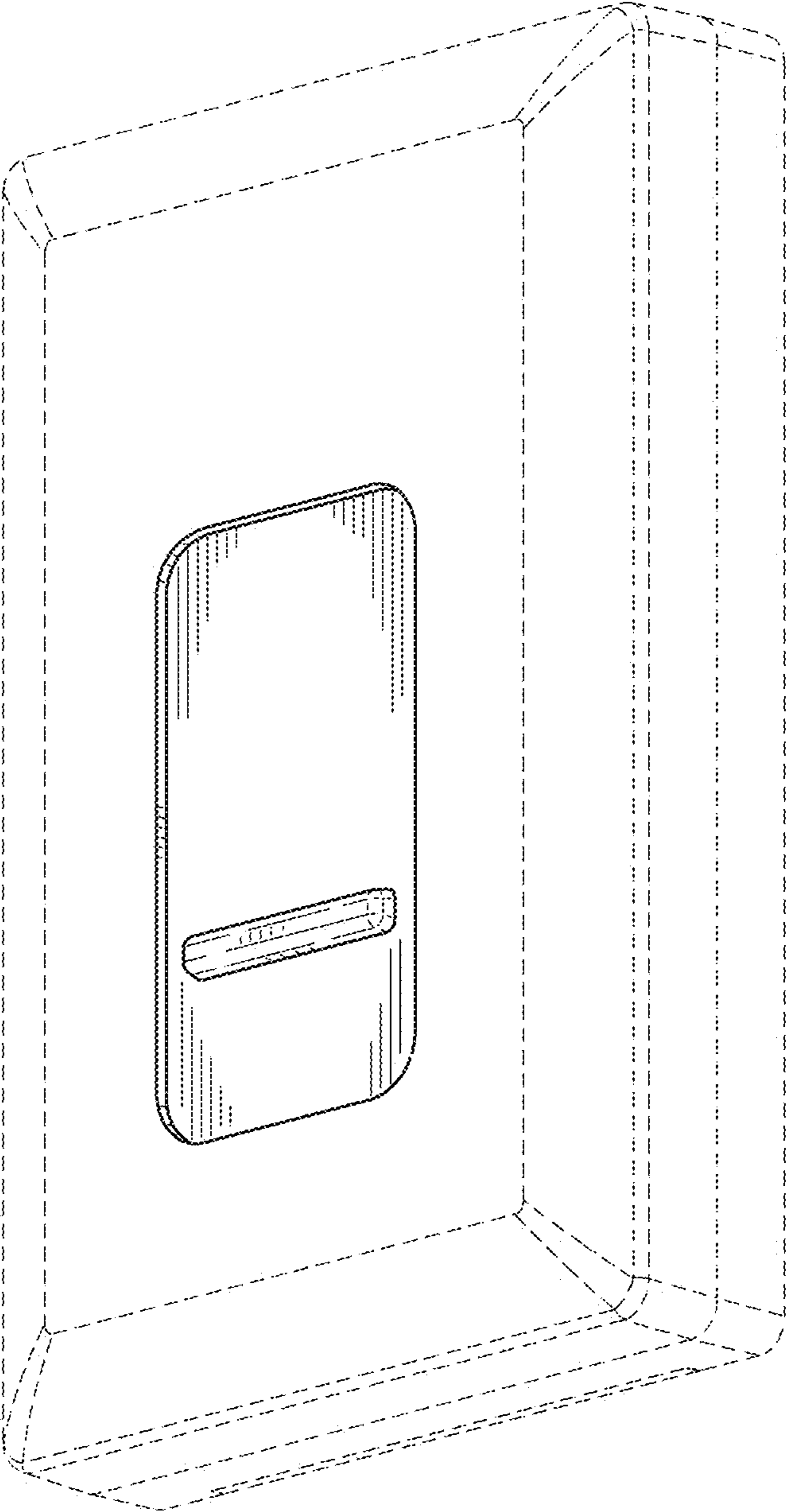


FIG. 2

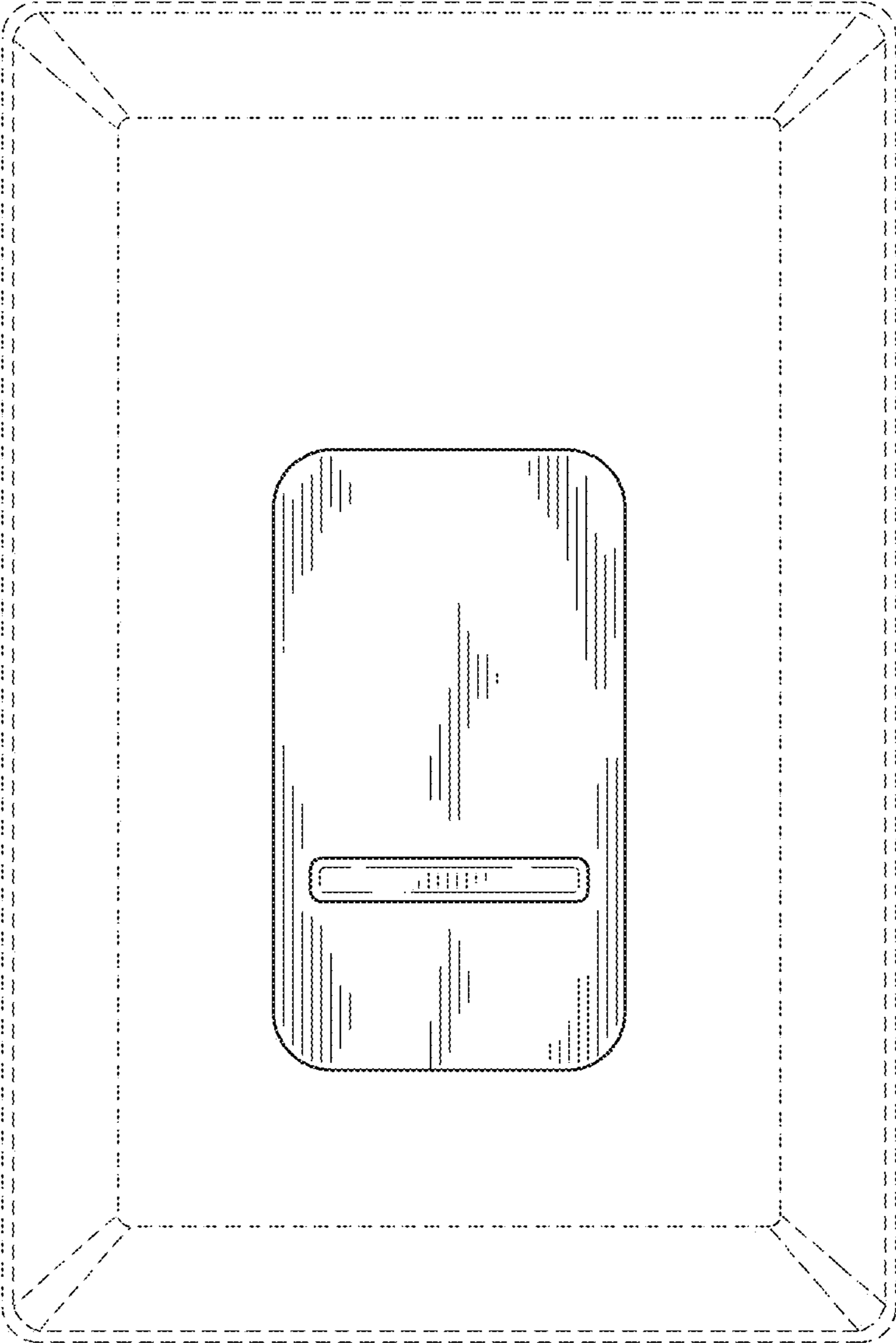


FIG. 3

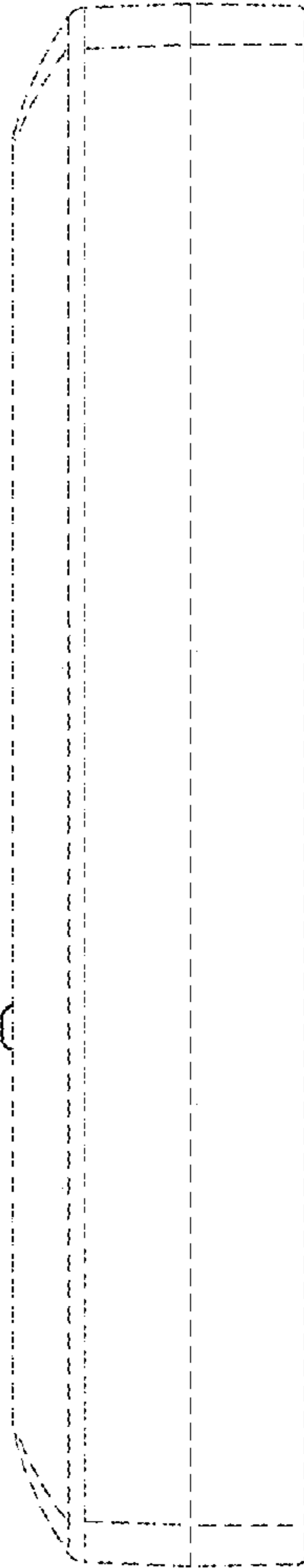


FIG. 4

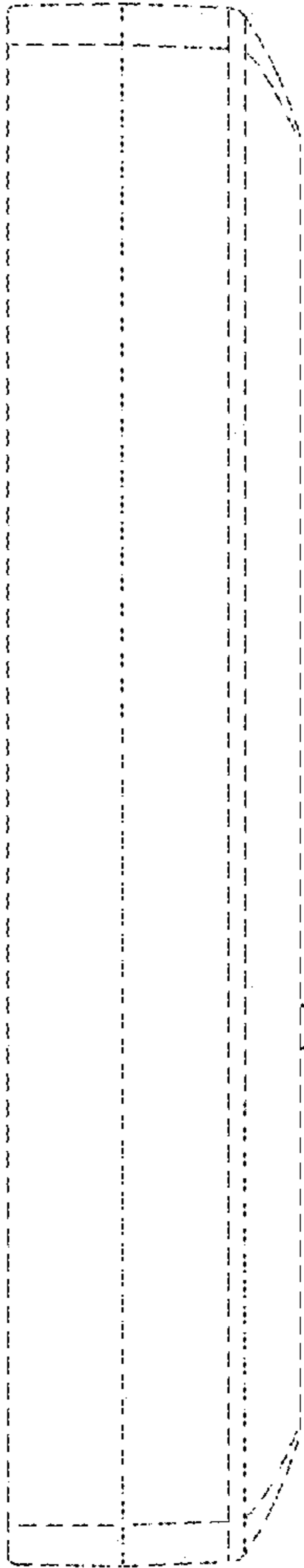


FIG. 5

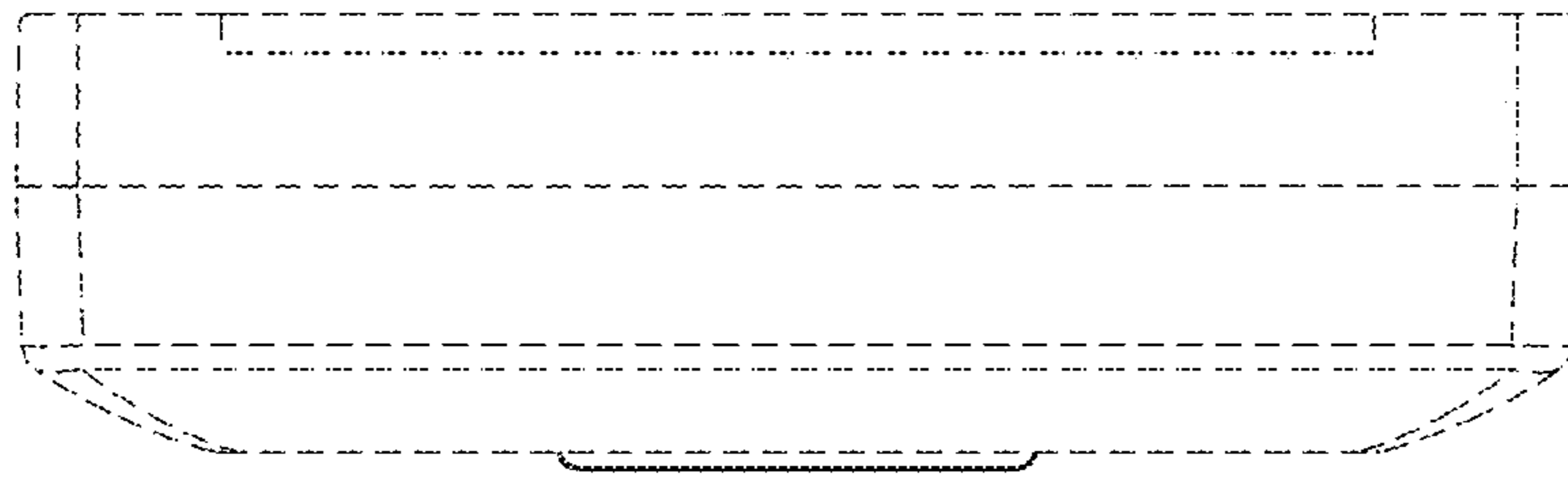


FIG. 6

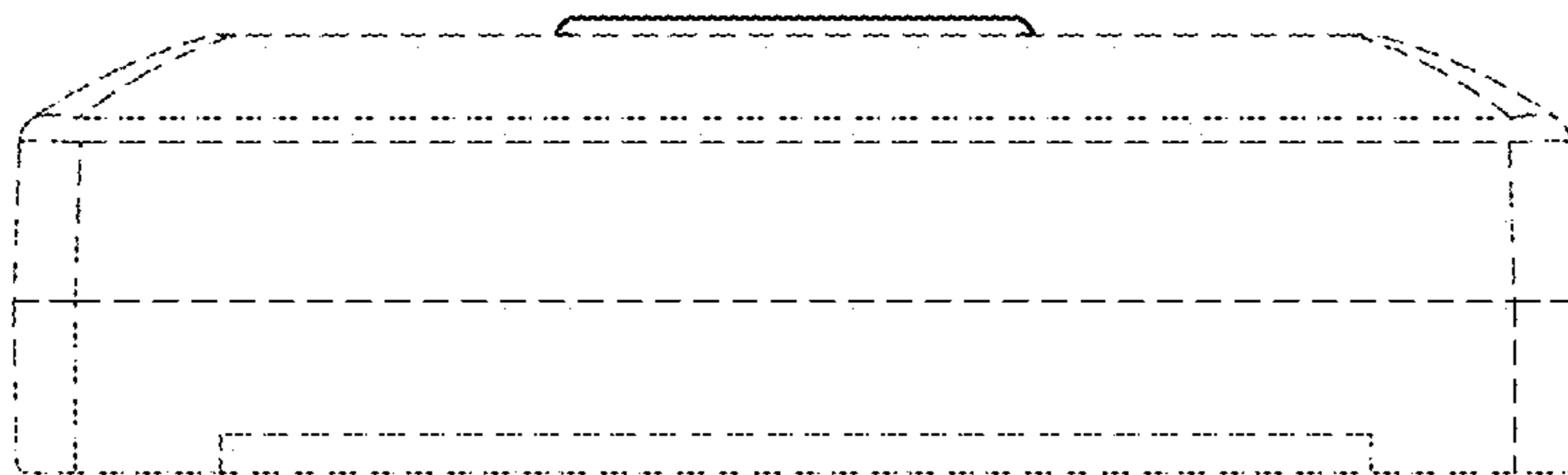


FIG. 7

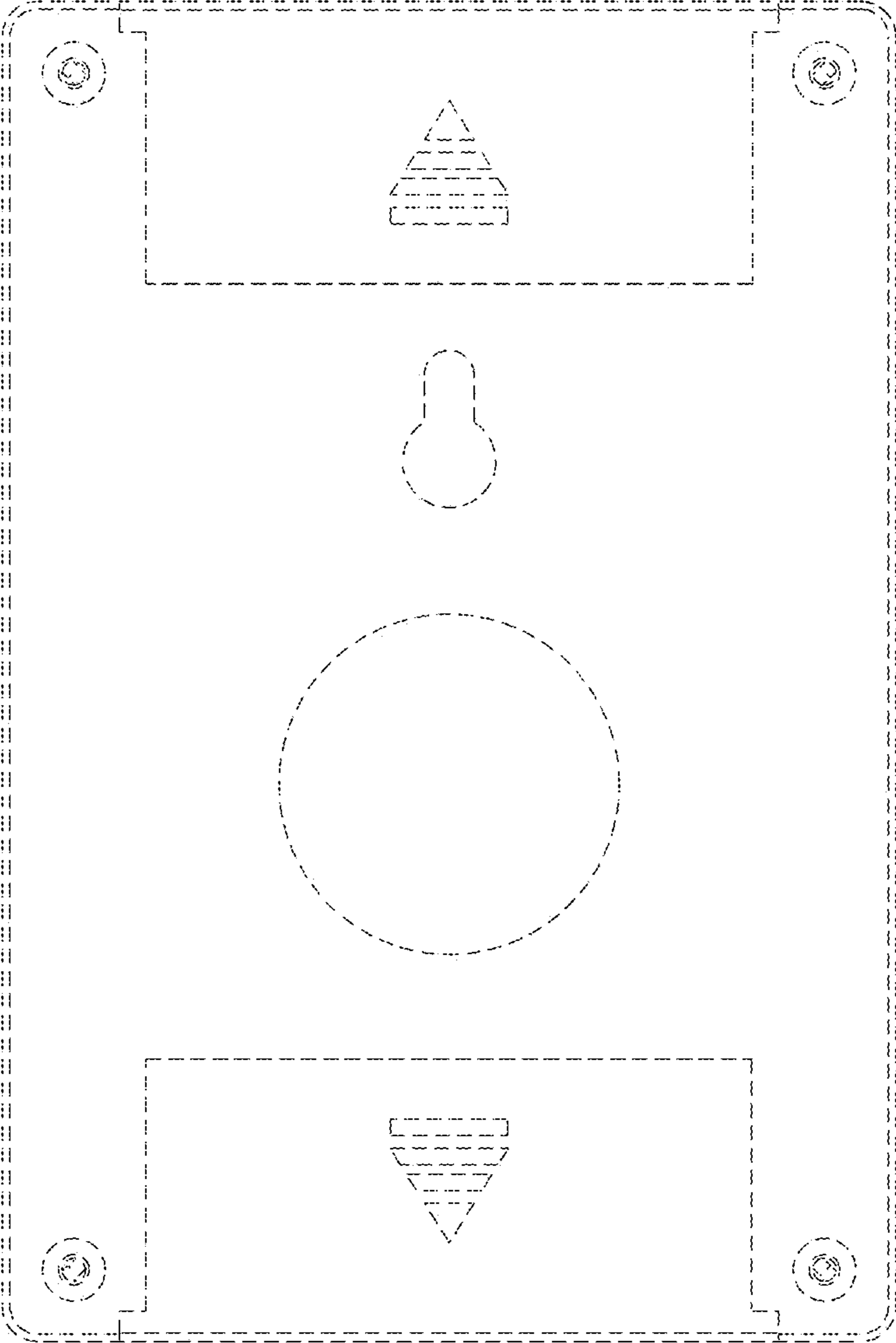


FIG. 8

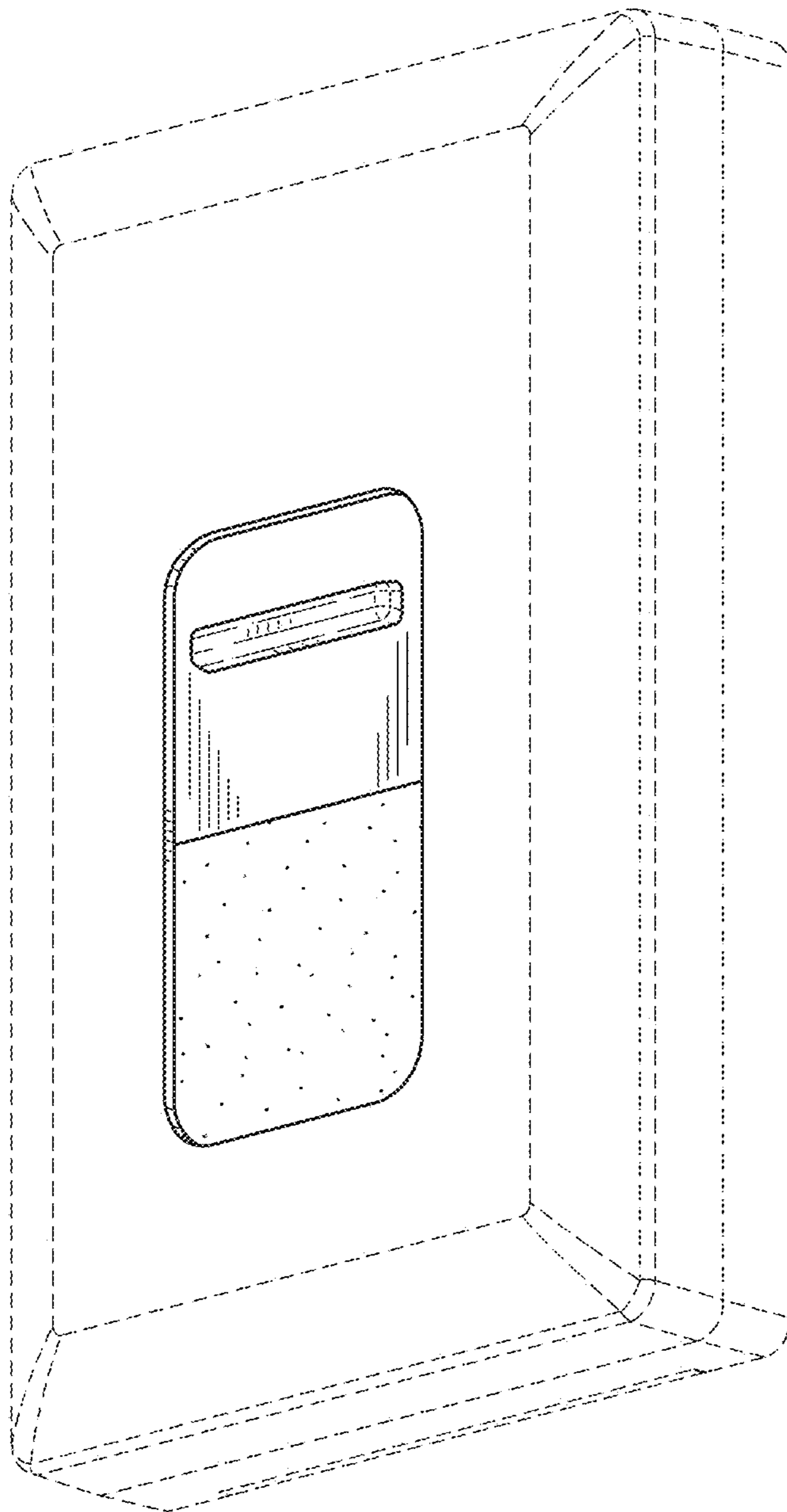


FIG. 9

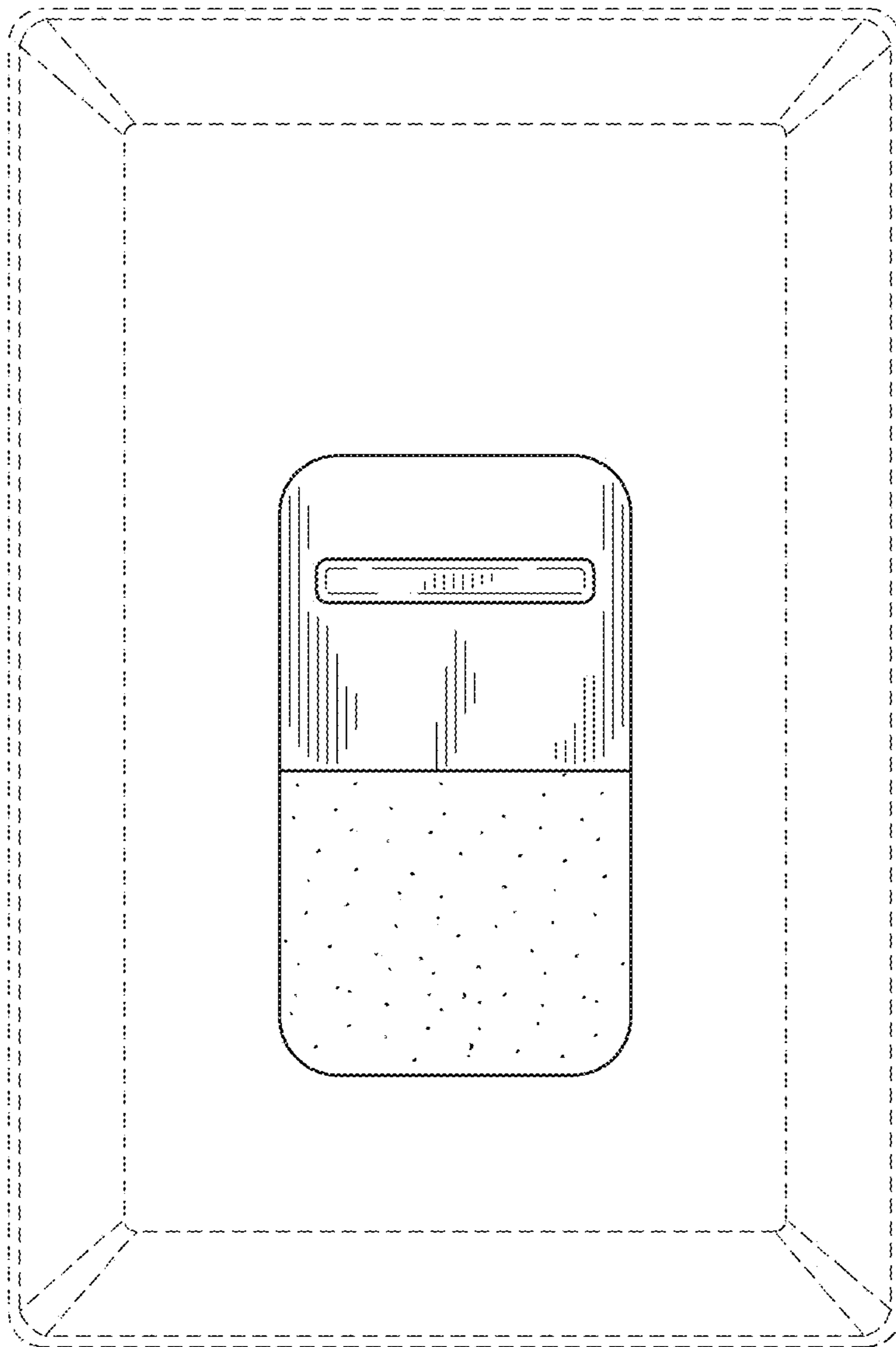


FIG. 10

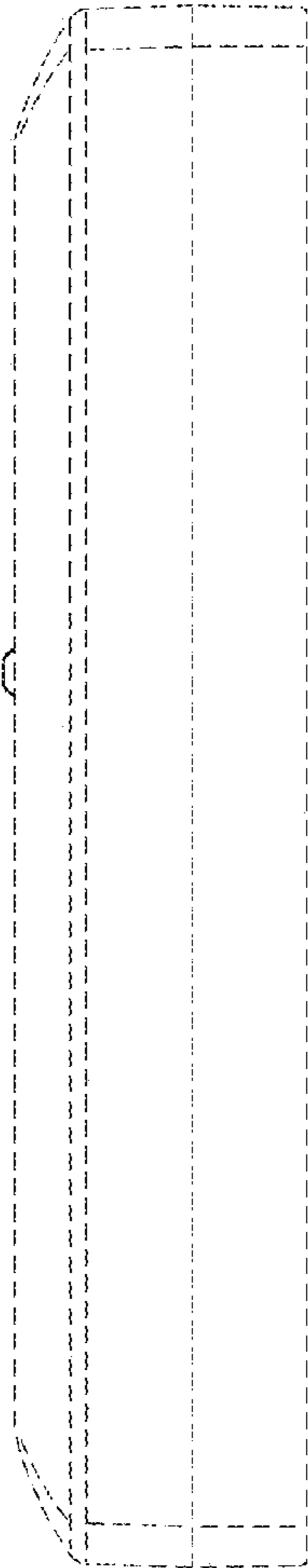


FIG. 11

