



US00D937786S

(12) **United States Design Patent**  
**Välivainio et al.**

(10) **Patent No.:** **US D937,786 S**  
(45) **Date of Patent:** **\*\* Dec. 7, 2021**

(54) **EQUIPMENT FOR DISTRIBUTION OR CONTROL OF ELECTRIC POWER**

(71) Applicant: **ABB Schweiz AG**, Baden (CH)

(72) Inventors: **Mikko Välivainio**, Vaasa (FI); **Fredrik Strand**, Sundom (FI); **Antti Elo**, Vaasa (FI)

(73) Assignee: **ABB Schweiz AG**, Baden (CH)

(\*\*) Term: **15 Years**

(21) Appl. No.: **29/667,553**

(22) Filed: **Oct. 23, 2018**

(30) **Foreign Application Priority Data**

Apr. 24, 2018 (EM) ..... 005245982

(51) **LOC (13) Cl.** ..... **13-03**

(52) **U.S. Cl.**  
USPC ..... **D13/158**

(58) **Field of Classification Search**  
USPC ..... D13/158, 160

(Continued)

(56) **References Cited**

**U.S. PATENT DOCUMENTS**

6,459,353 B1 \* 10/2002 Mattlar ..... H01H 9/104  
337/143

7,741,572 B2 \* 6/2010 Mattlar ..... H01H 9/0066  
200/50.32

(Continued)

*Primary Examiner* — Selina Sikder

(74) *Attorney, Agent, or Firm* — Leydig, Voit & Mayer, Ltd.

(57) **CLAIM**

The ornamental design for equipment for distribution or control of electric power, as shown and described.

**DESCRIPTION**

FIG. 1 illustrates a front side perspective view of a first embodiment of equipment for distribution or control of electric power.

FIG. 2 illustrates a front side view of the equipment shown in FIG. 1.

FIG. 3 illustrates a right side view of the equipment shown in FIG. 1.

FIG. 4 illustrates a left side view of the equipment shown in FIG. 1.

FIG. 5 illustrates a rear side view of the equipment shown in FIG. 1.

FIG. 6 illustrates a top side view of the equipment shown in FIG. 1.

FIG. 7 illustrates a bottom side view of the equipment shown in FIG. 1.

FIG. 8 illustrates a front side perspective view of a second embodiment of equipment for distribution or control of electric power.

FIG. 9 illustrates a front side view of the equipment shown in FIG. 8.

FIG. 10 illustrates a right side view of the equipment shown in FIG. 8.

FIG. 11 illustrates a left side view of the equipment shown in FIG. 8.

FIG. 12 illustrates a rear side view of the equipment shown in FIG. 8.

FIG. 13 illustrates a top side view of the equipment shown in FIG. 8.

FIG. 14 illustrates a bottom side view of the equipment shown in FIG. 8.

FIG. 15 illustrates a front side perspective view of a third embodiment of equipment for distribution or control of electric power.

FIG. 16 illustrates a front side view of the equipment shown in FIG. 15.

FIG. 17 illustrates a right side view of the equipment shown in FIG. 15.

FIG. 18 illustrates a left side view of the equipment shown in FIG. 15.

FIG. 19 illustrates a rear side view of the equipment shown in FIG. 15.

(Continued)

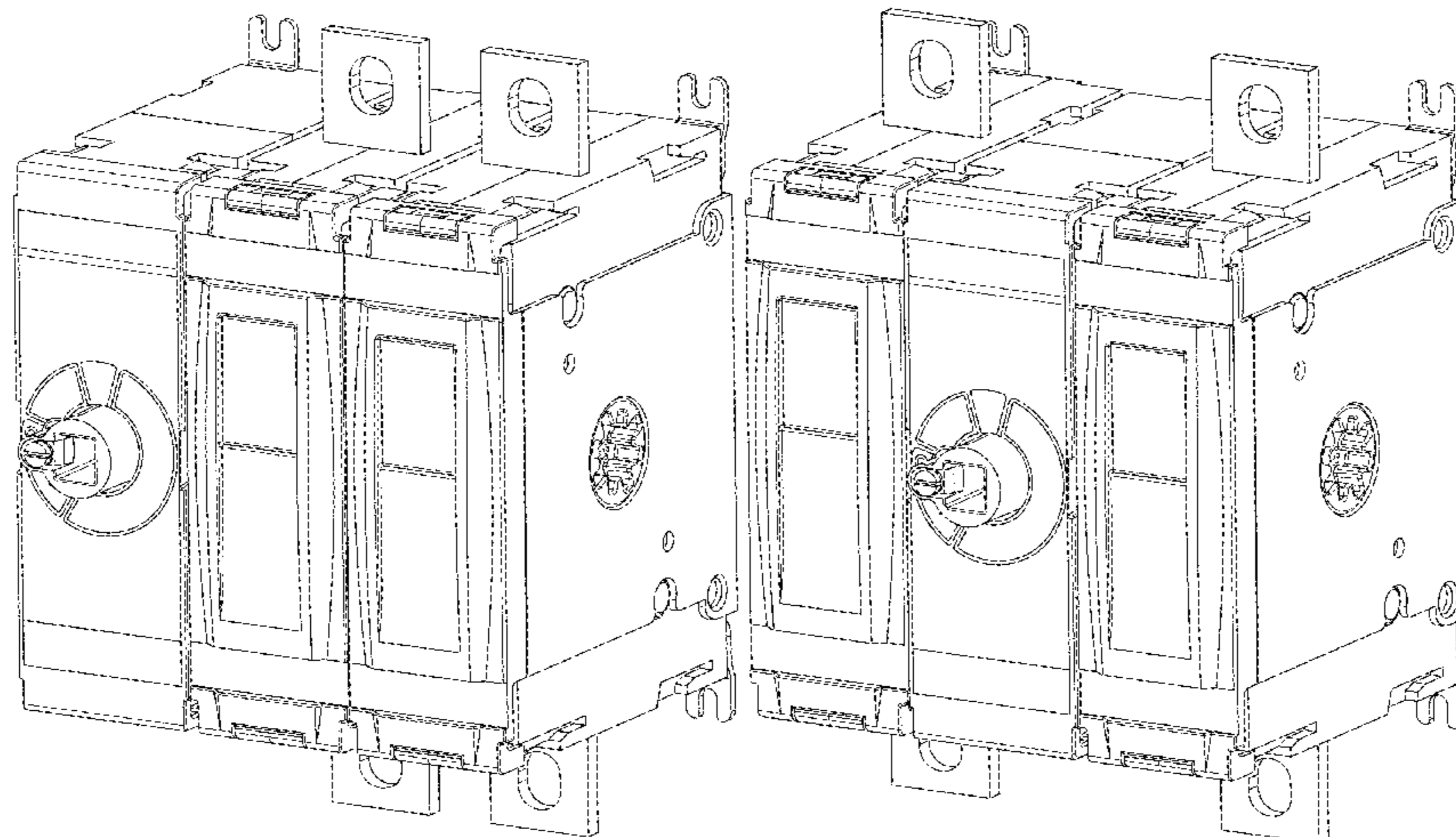


FIG. 20 illustrates a top side view of the equipment shown in FIG. 15.

FIG. 21 illustrates a bottom side view of the equipment shown in FIG. 15.

FIG. 22 illustrates a front side perspective view of a fourth embodiment of equipment for distribution or control of electric power.

FIG. 23 illustrates a front side view of the equipment shown in FIG. 22.

FIG. 24 illustrates a right side view of the equipment shown in FIG. 22.

FIG. 25 illustrates a left side view of the equipment shown in FIG. 22.

FIG. 26 illustrates a rear side view of the equipment shown in FIG. 22.

FIG. 27 illustrates a top side view of the equipment shown in FIG. 22; and,

FIG. 28 illustrates a bottom side view of the equipment shown in FIG. 22.

The broken lines shown in the figures are for the purpose of illustrating portions of the equipment that forms no part of the claimed design.

**1 Claim, 27 Drawing Sheets**

(58) **Field of Classification Search**

CPC .. H01H 9/00; H01H 9/02; H01H 9/10; H01H

9/342; H01H 3/12; H01H 19/02; H01H 33/08

See application file for complete search history.

(56)

**References Cited**

U.S. PATENT DOCUMENTS

D642,991	S *	8/2011	Mattlar	.....	D13/158
D653,624	S *	2/2012	Mattlar	.....	D13/158
D654,441	S *	2/2012	Mattlar	.....	D13/158
D655,680	S *	3/2012	Mattlar	.....	D13/158
D679,663	S *	4/2013	Mattlar	.....	D13/158
8,575,504	B2 *	11/2013	Eisner	.....	H01H 19/02 200/306
D714,228	S *	9/2014	Valivainio	.....	D13/158
D725,048	S *	3/2015	Valivainio	.....	D13/158
D731,440	S *	6/2015	Valivainio	.....	D13/158
D737,220	S *	8/2015	Andersson	.....	D13/158
D737,221	S *	8/2015	Andersson	.....	D13/158
D755,730	S *	5/2016	Valivainio	.....	D13/158
D755,731	S *	5/2016	Valivainio	.....	D13/158
D756,308	S *	5/2016	Valivainio	.....	D13/158
D784,933	S *	4/2017	Andersson	.....	D13/158
D791,085	S *	7/2017	Rosenberg	.....	D13/158
D813,172	S *	3/2018	Valivainio	.....	D13/158
D852,758	S *	7/2019	Ditto	.....	D13/158
D863,229	S *	10/2019	Valivainio	.....	D13/158
10,804,056	B2 *	10/2020	Strand	.....	H01H 33/14
2010/0307895	A1 *	12/2010	Park	.....	H01H 9/02 200/237
2011/0308928	A1 *	12/2011	Eisner	.....	H01H 9/342 200/5 A

\* cited by examiner



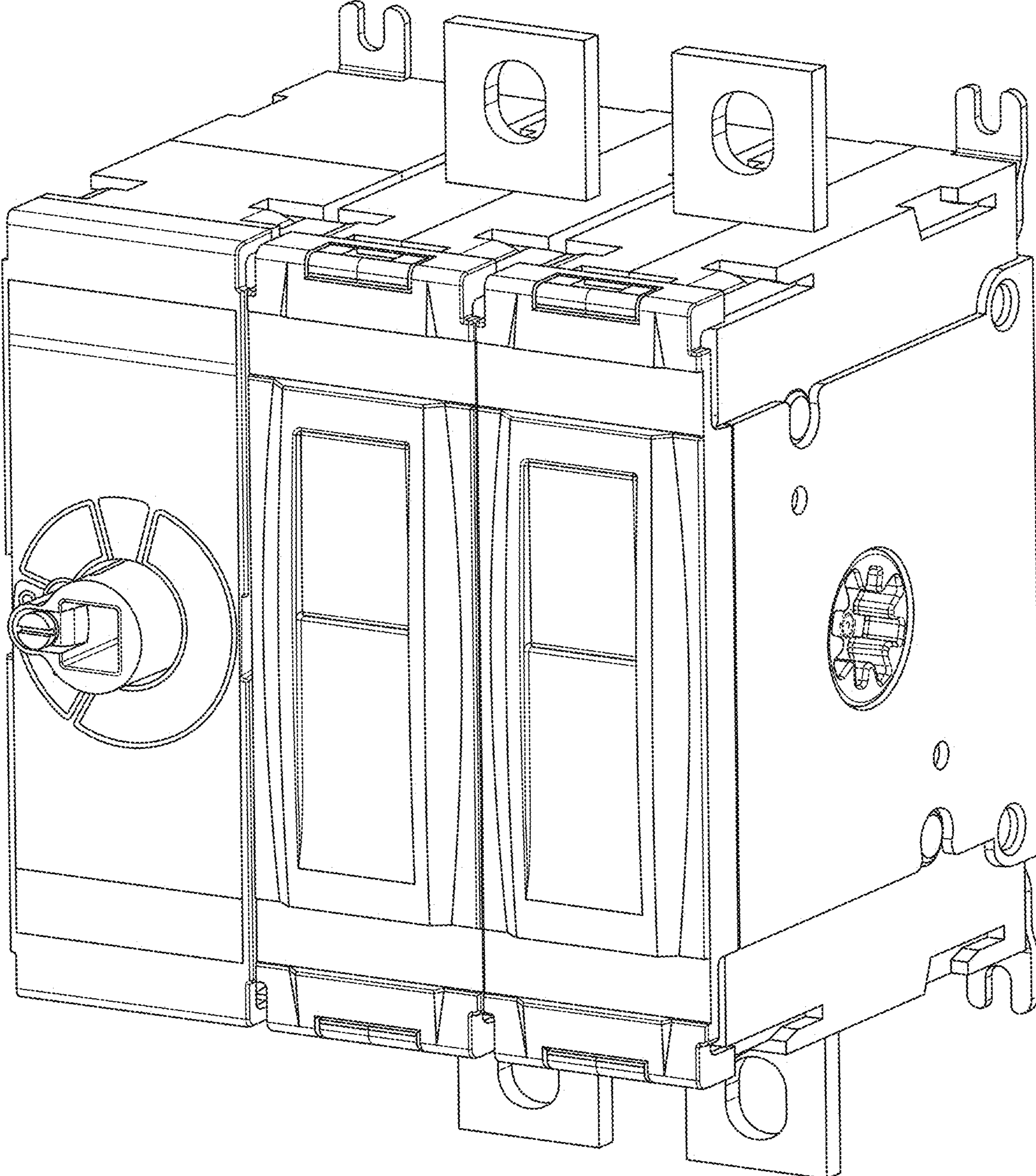


FIG. 1

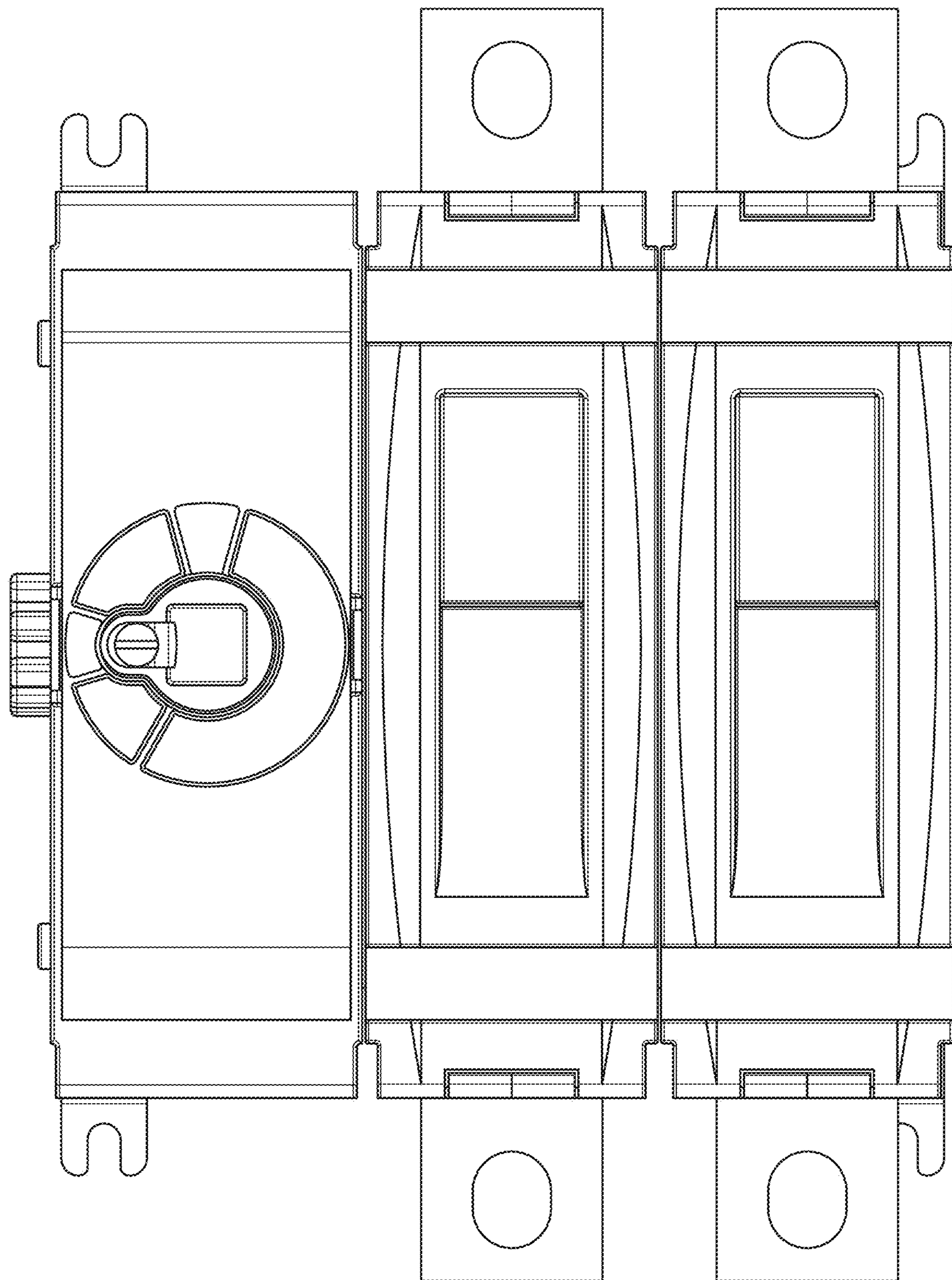


FIG. 2

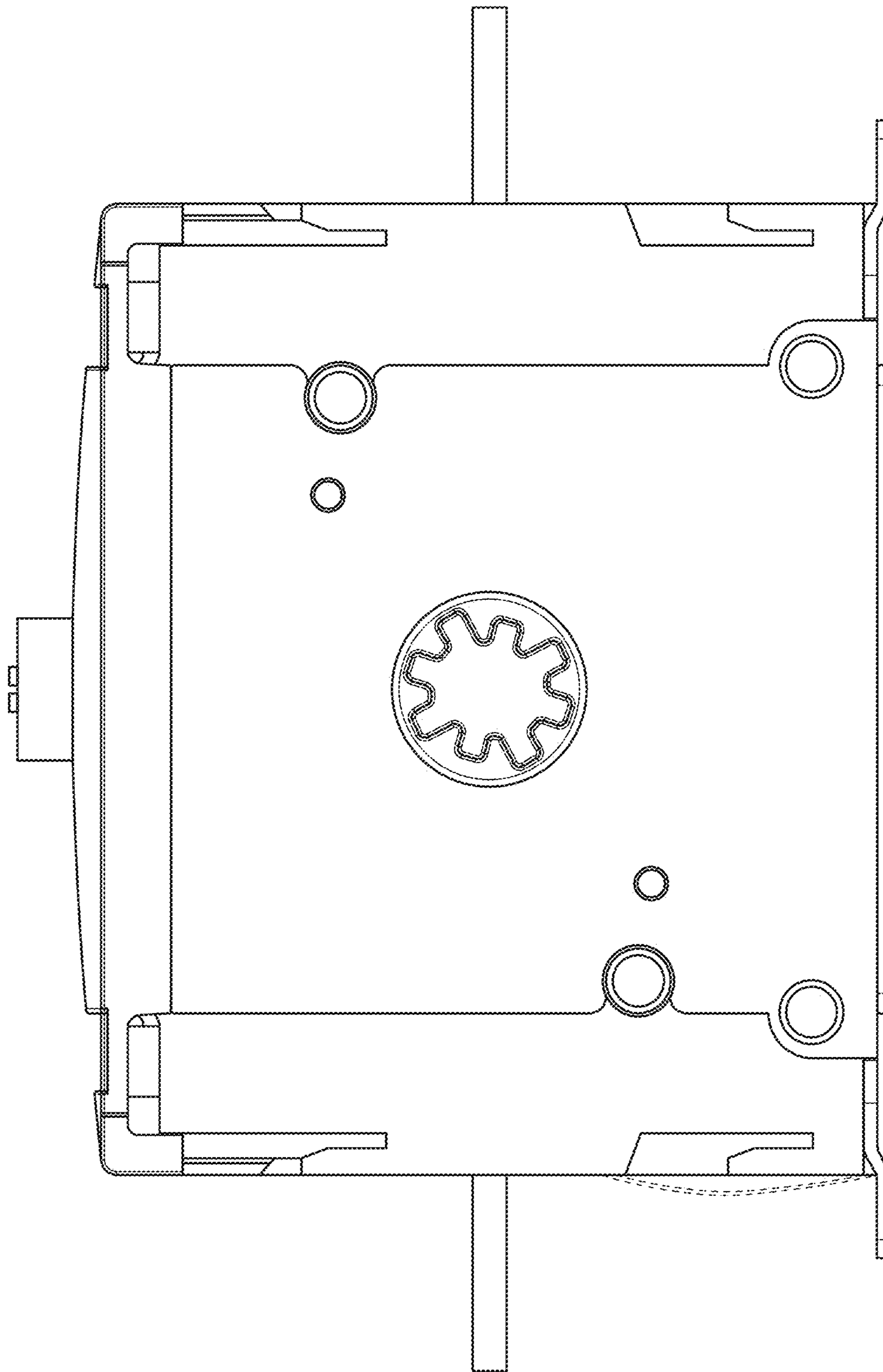


FIG. 3



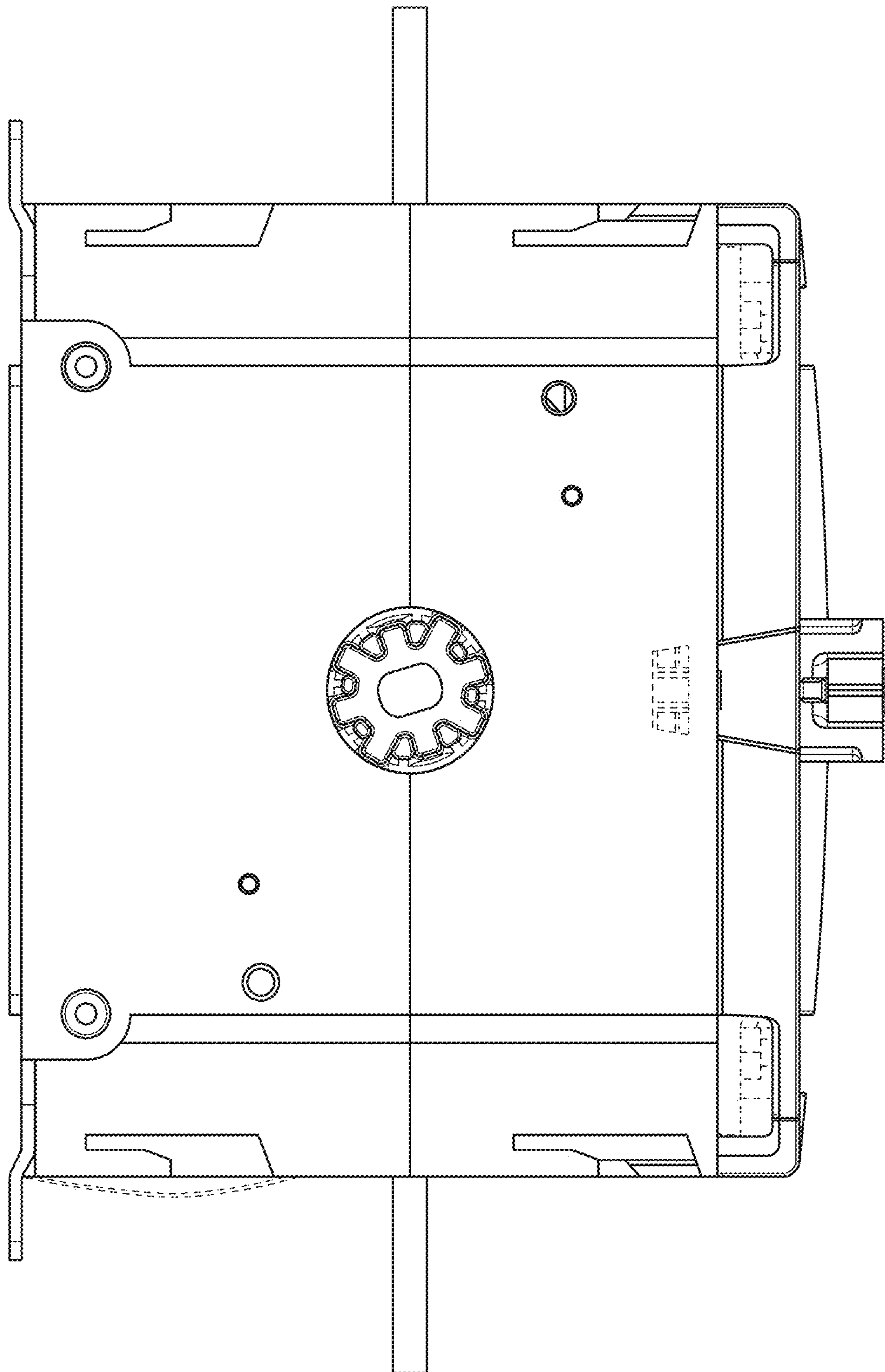


FIG. 4

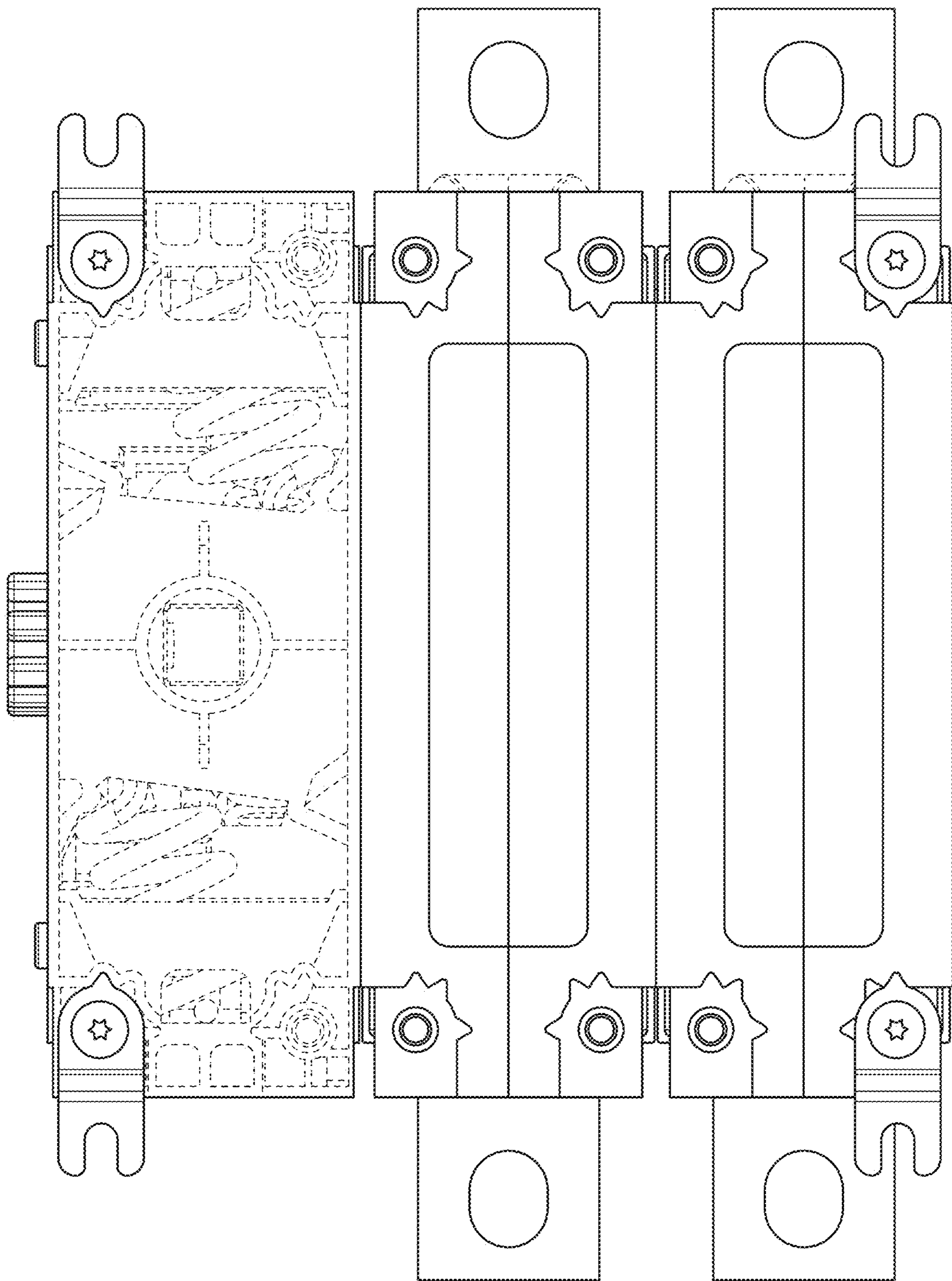


FIG. 5

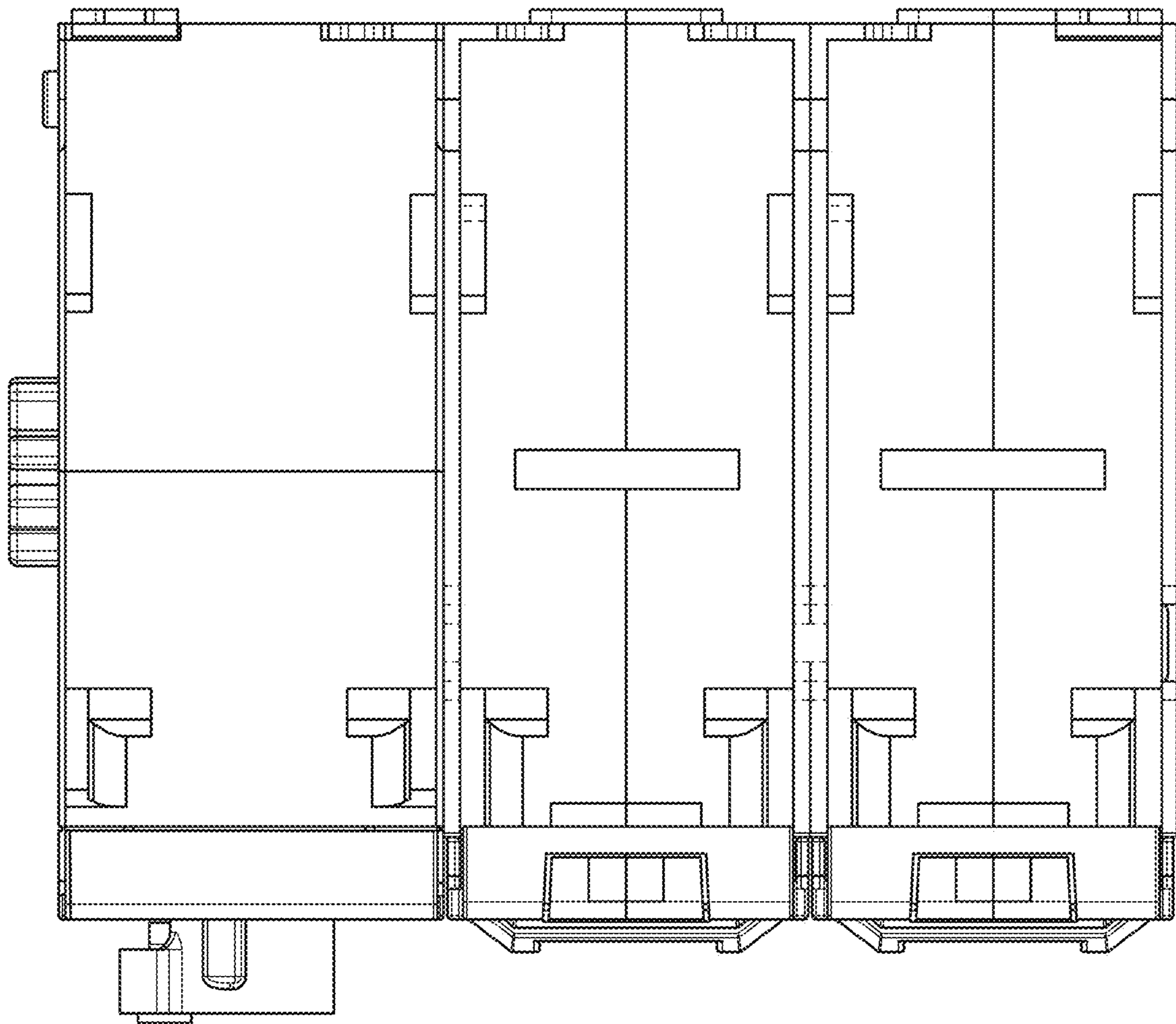


FIG. 6



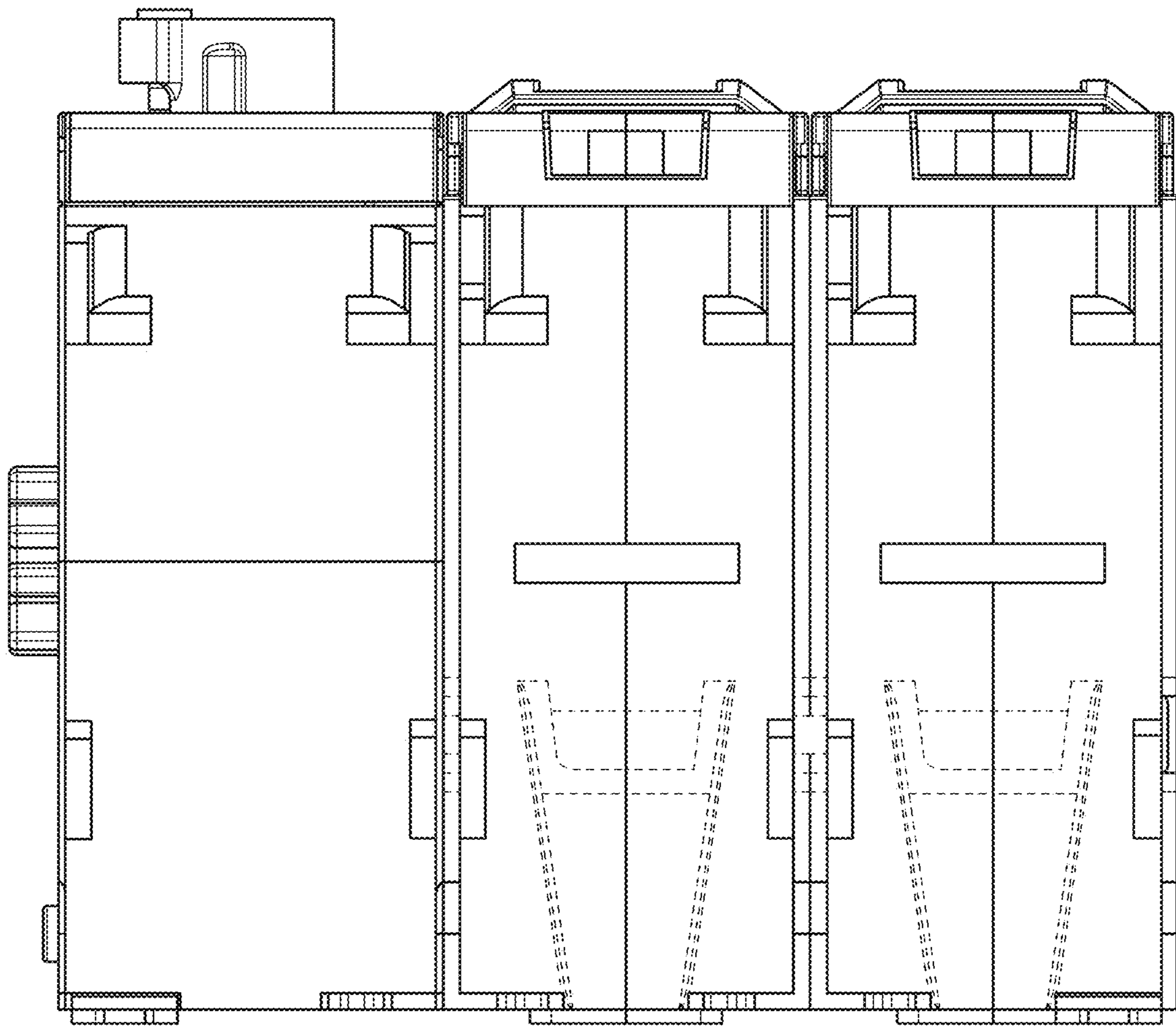


FIG. 7

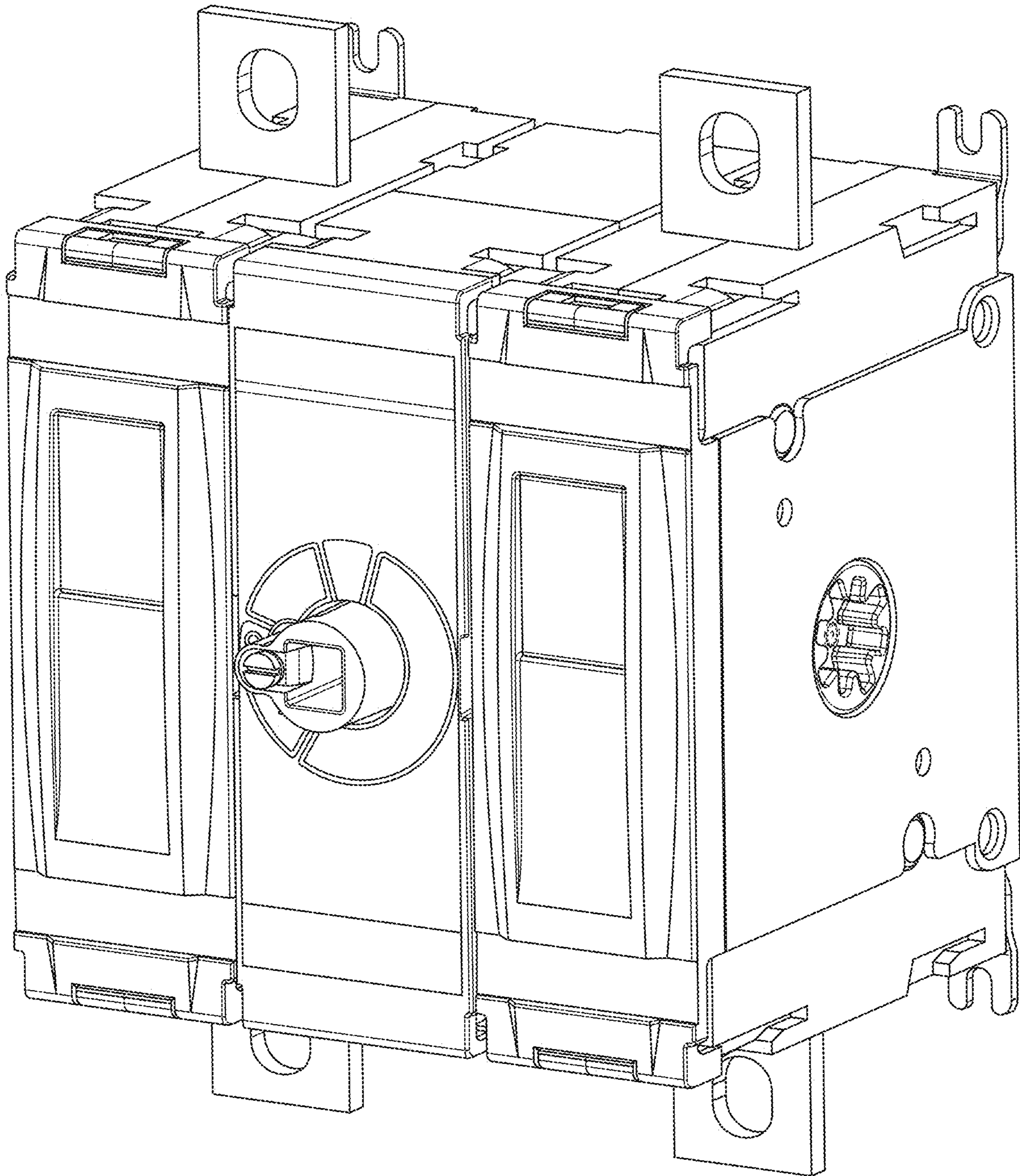


FIG. 8

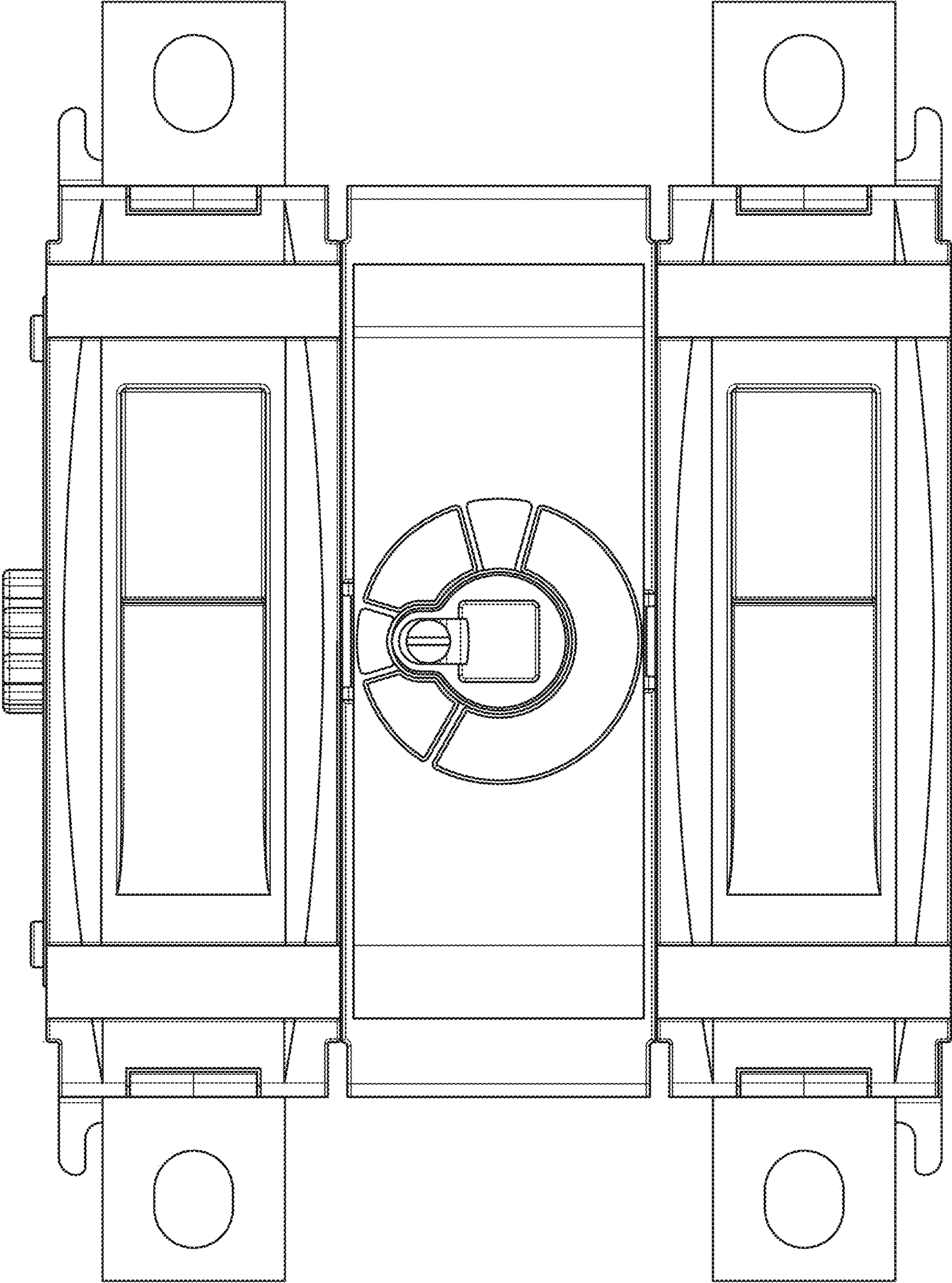


FIG. 9



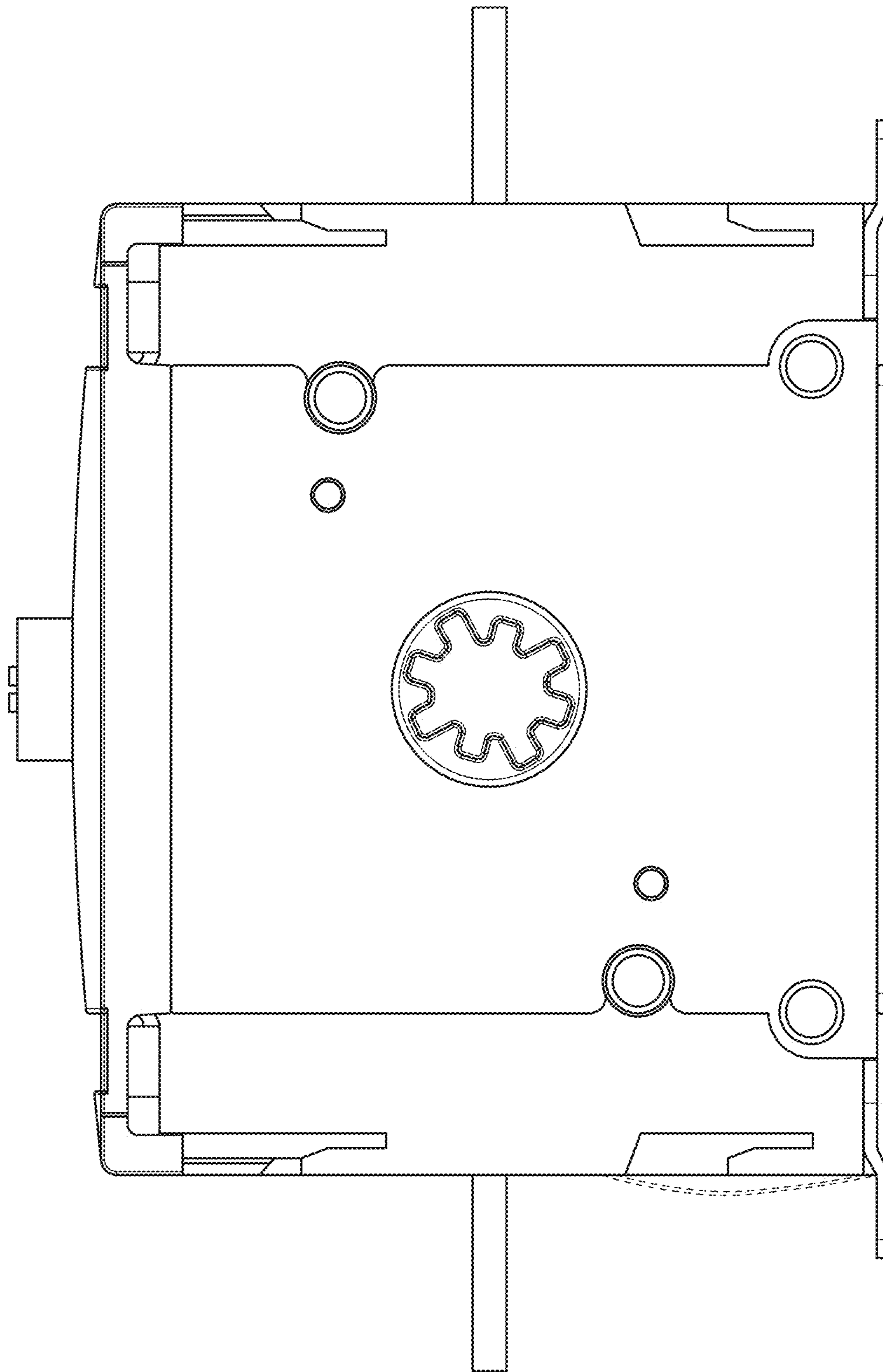


FIG. 10

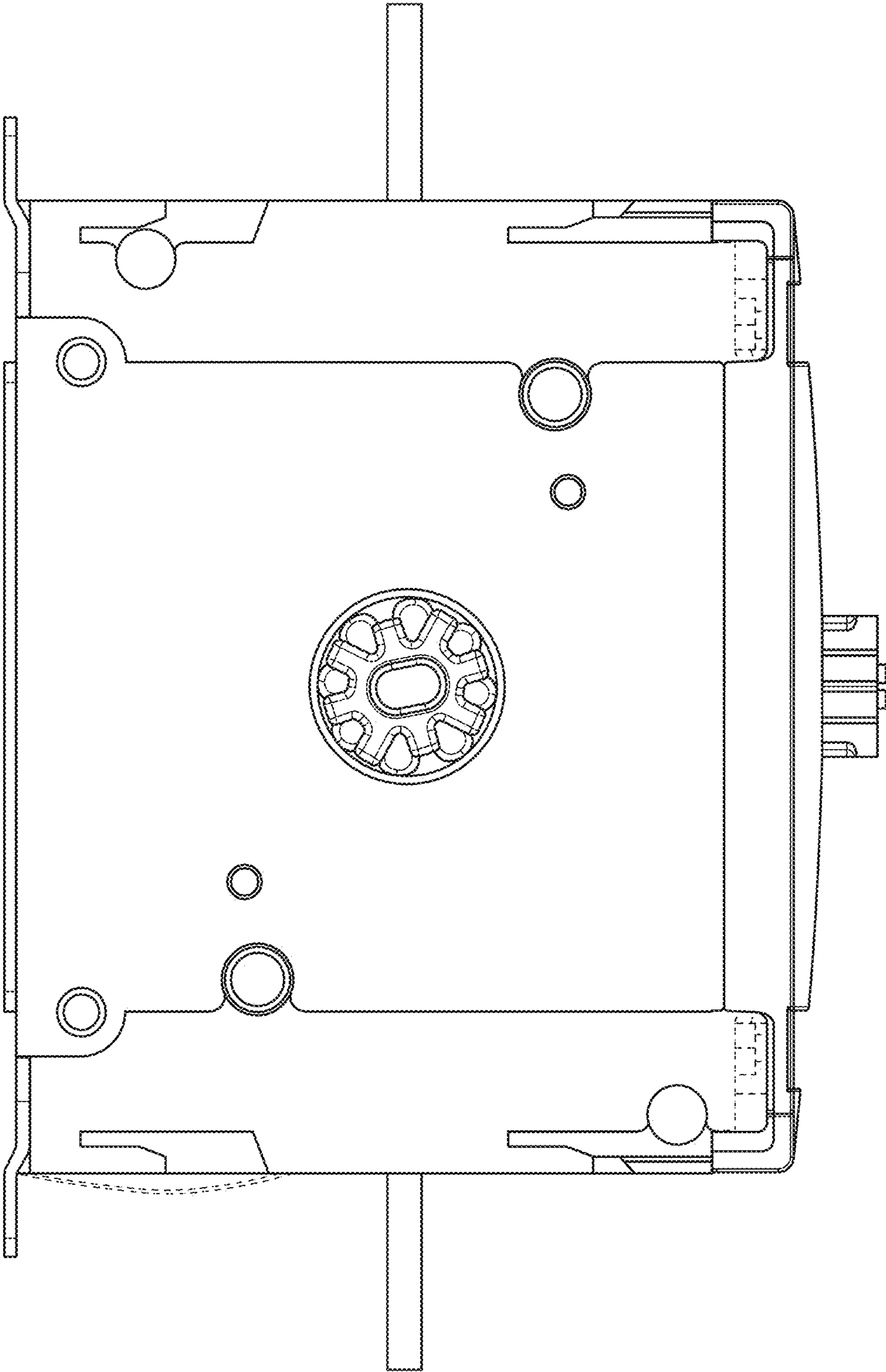


FIG. 11

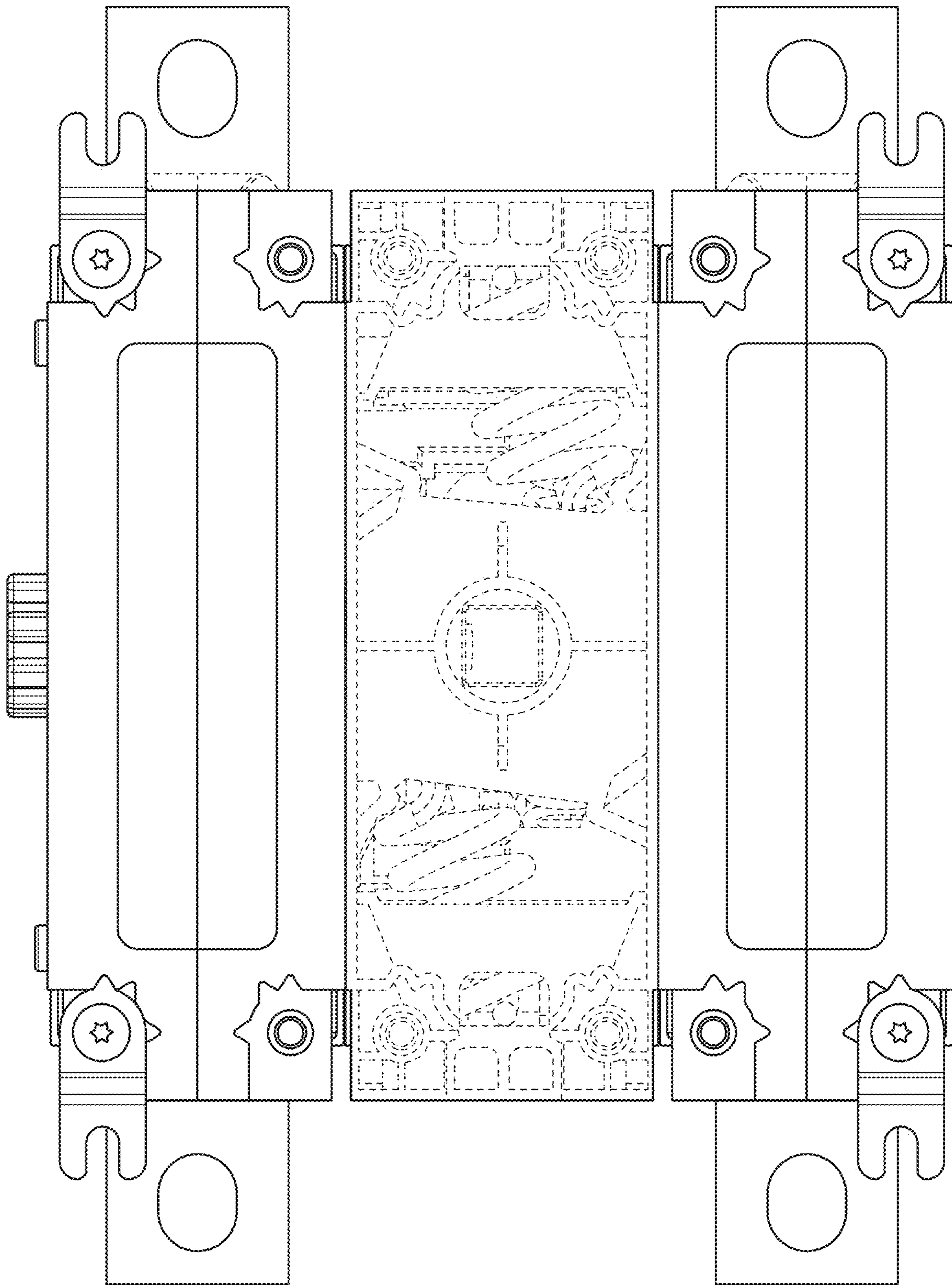


FIG. 12



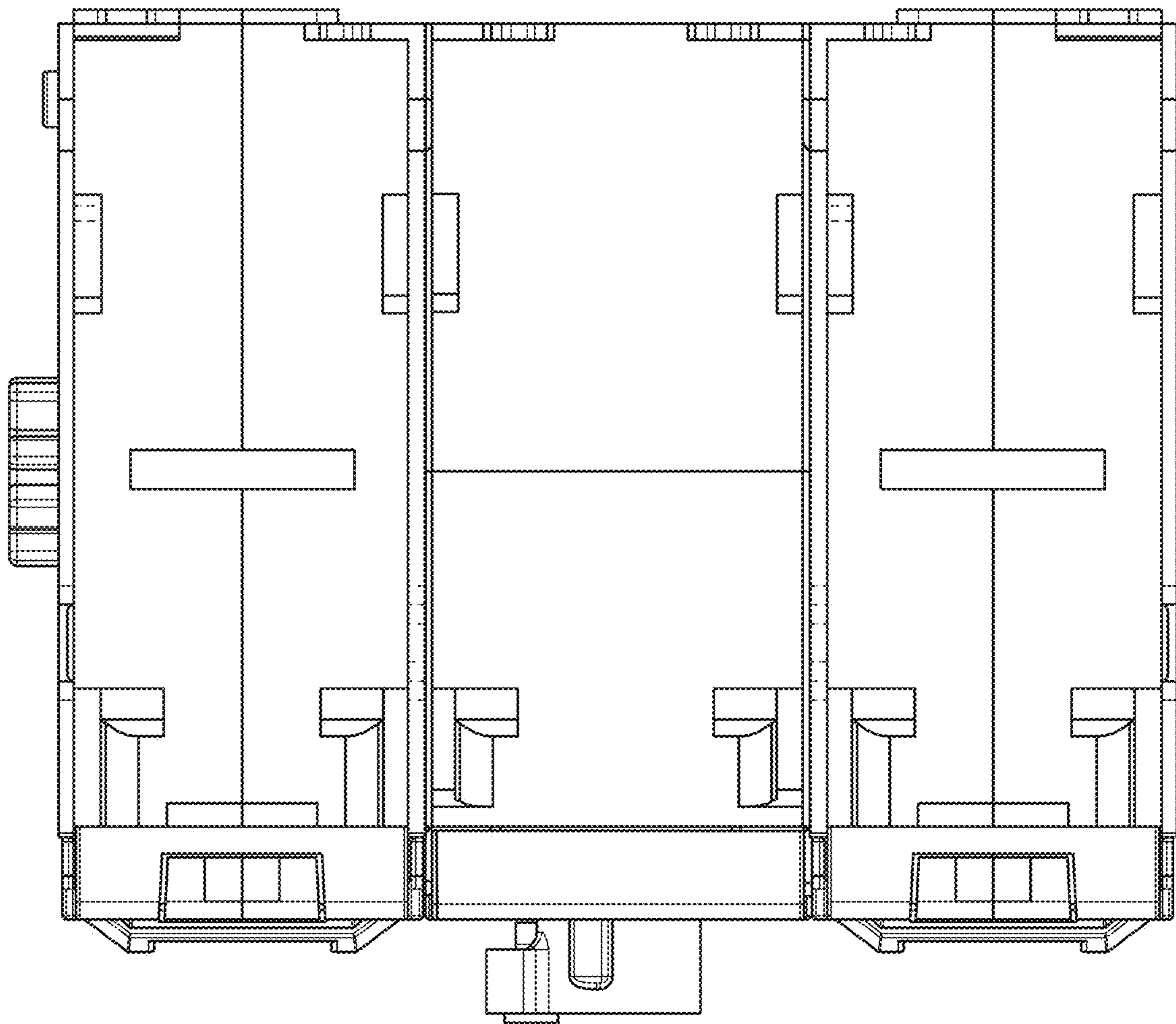


FIG. 13

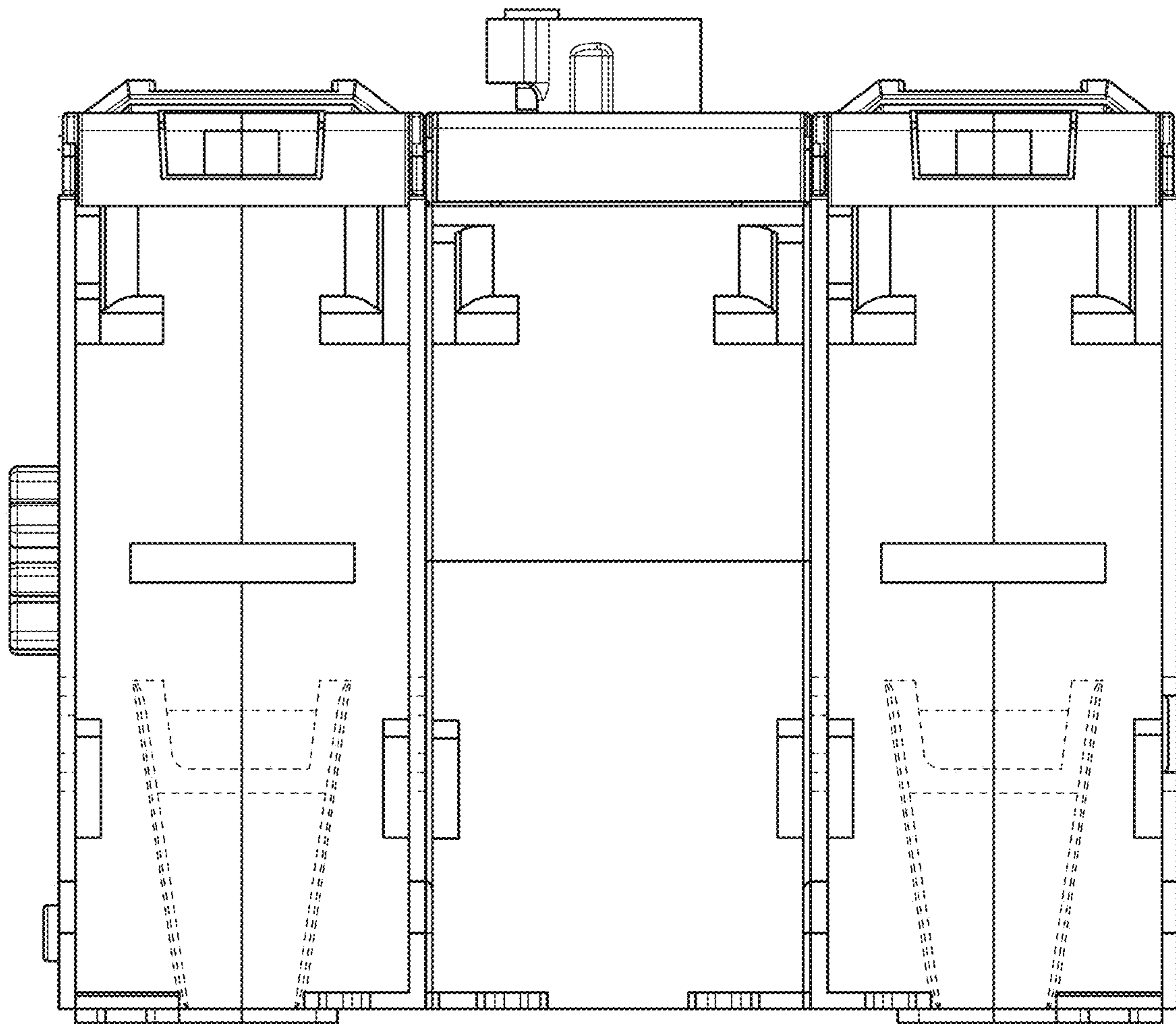


FIG. 14

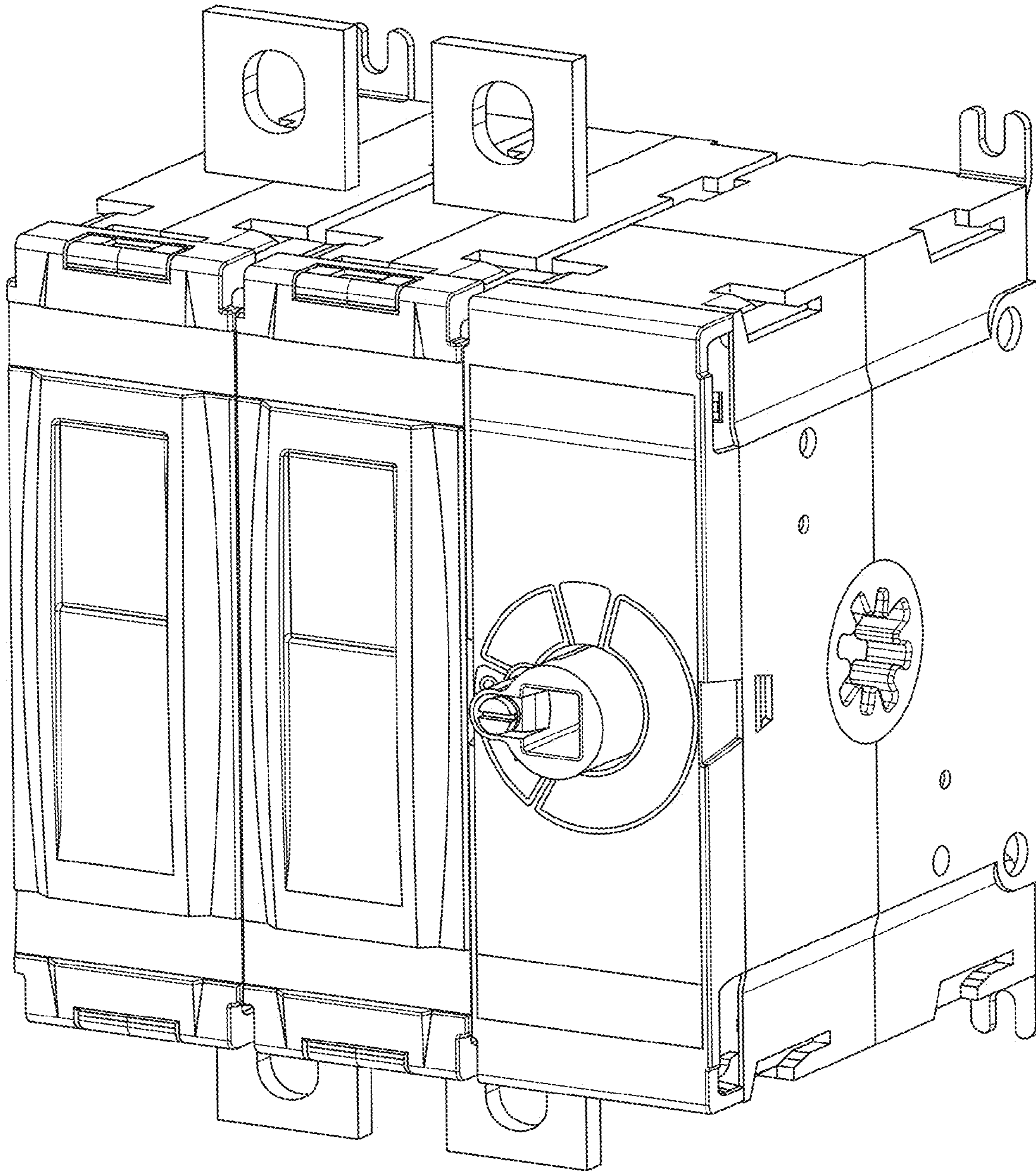


FIG. 15



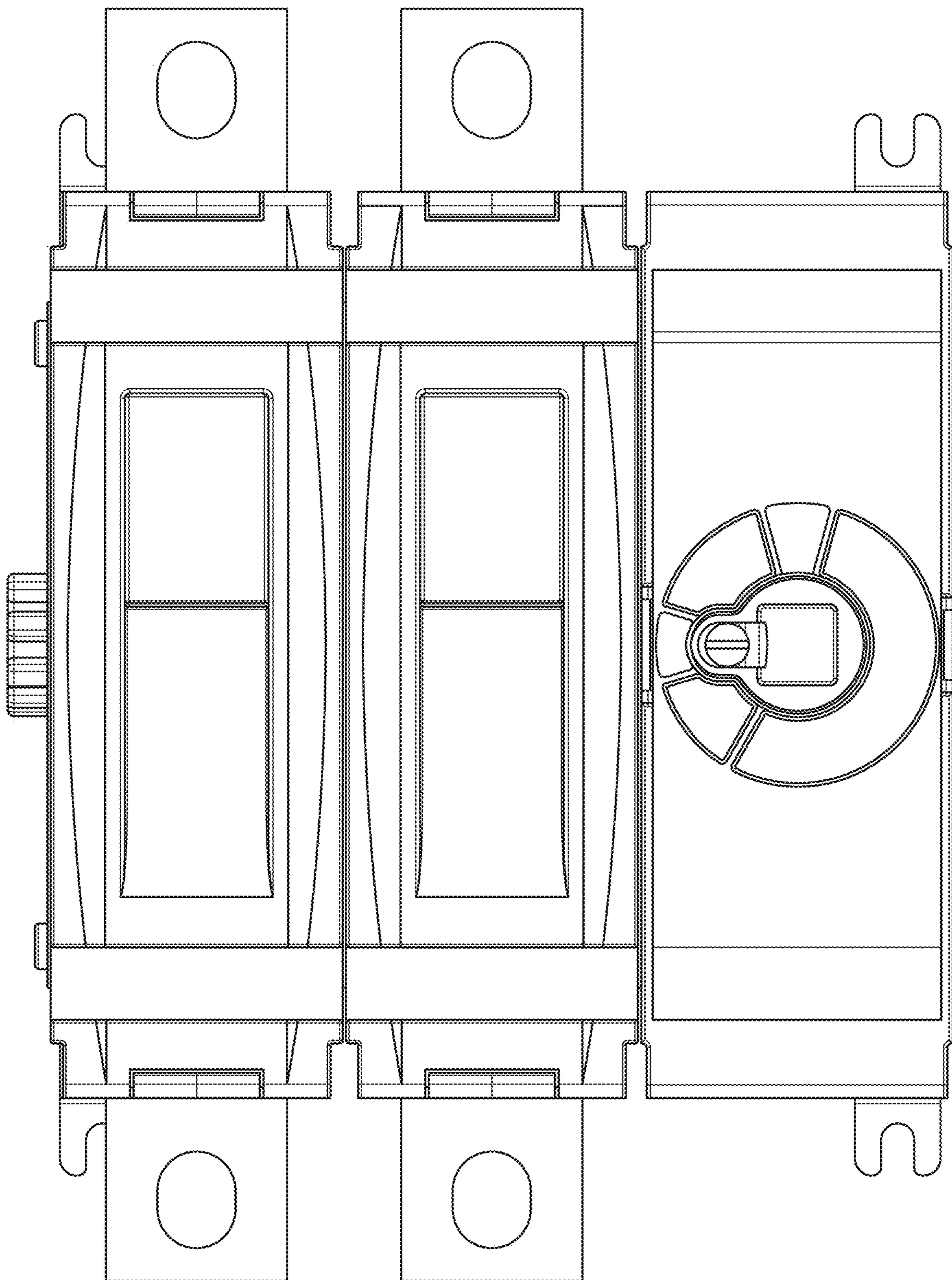


FIG. 16

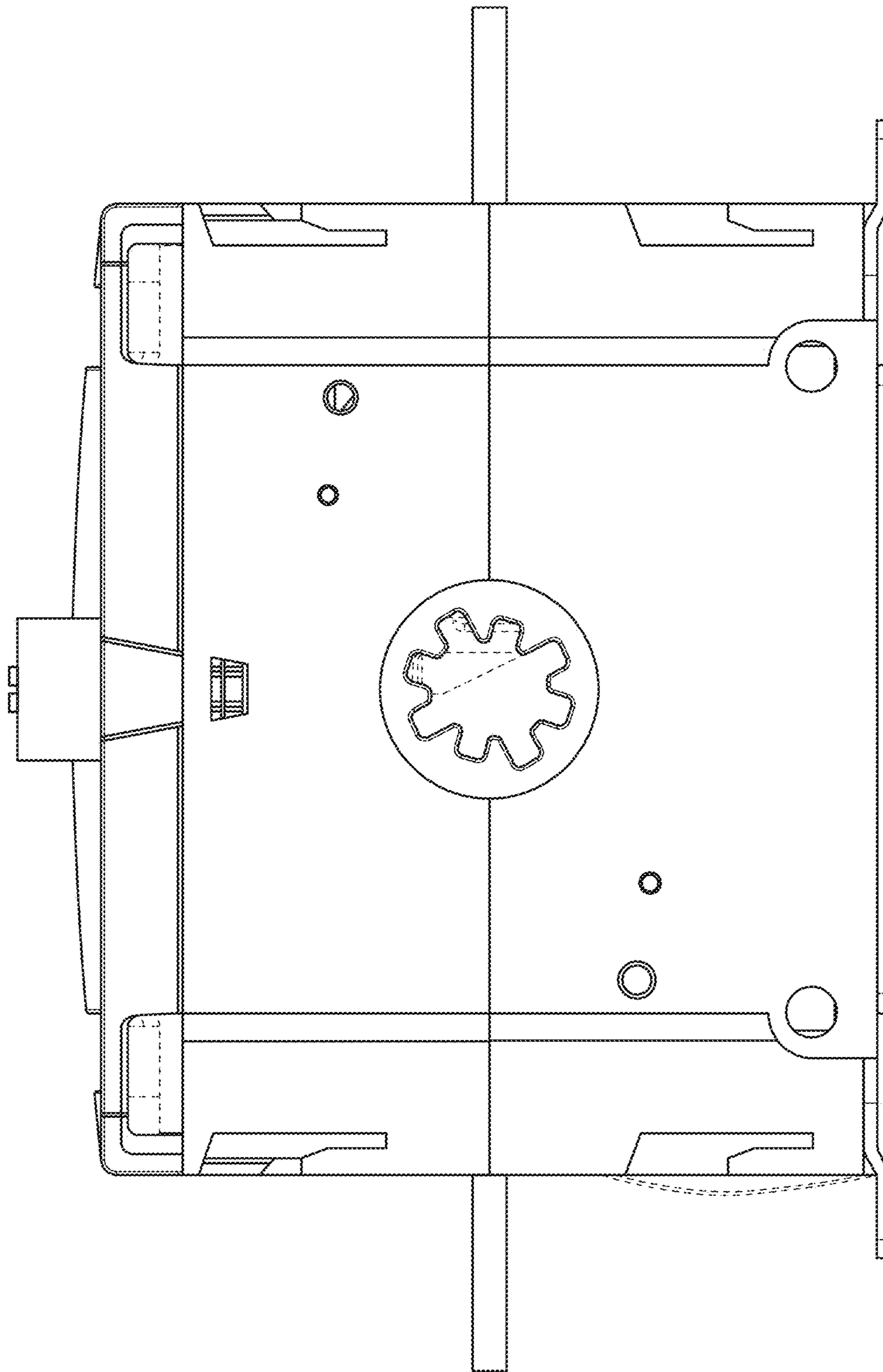


FIG. 17

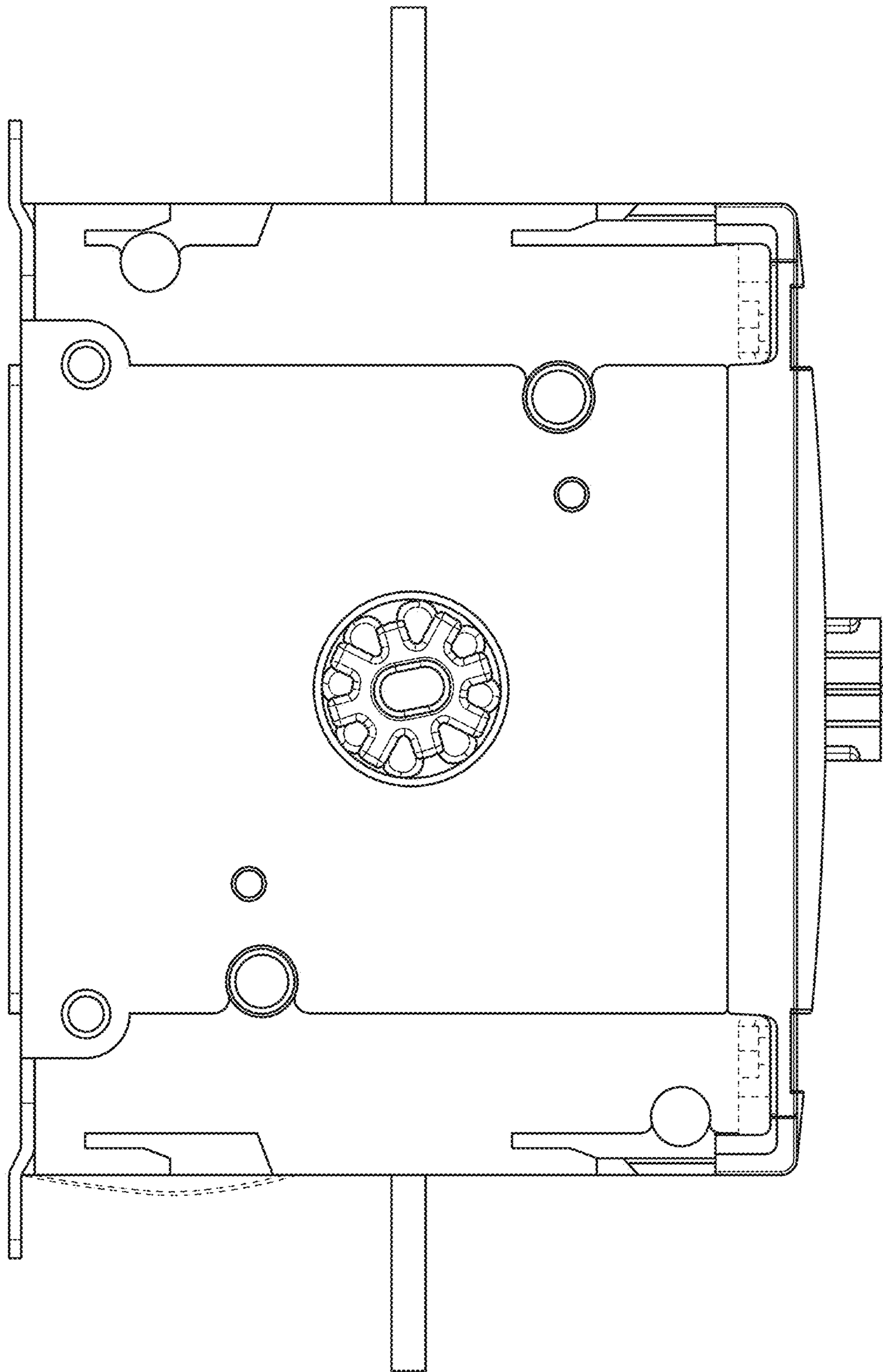


FIG. 18



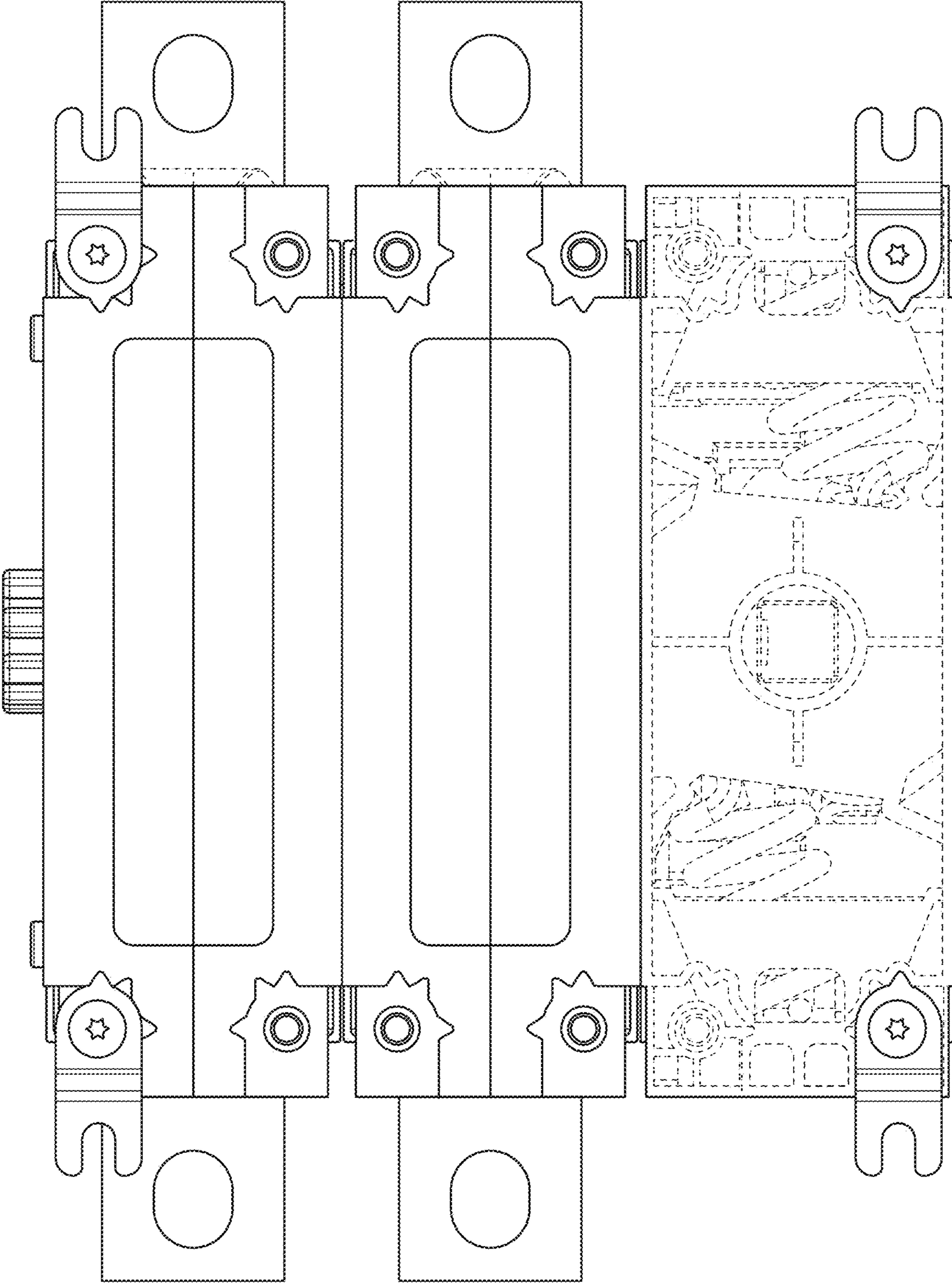


FIG. 19

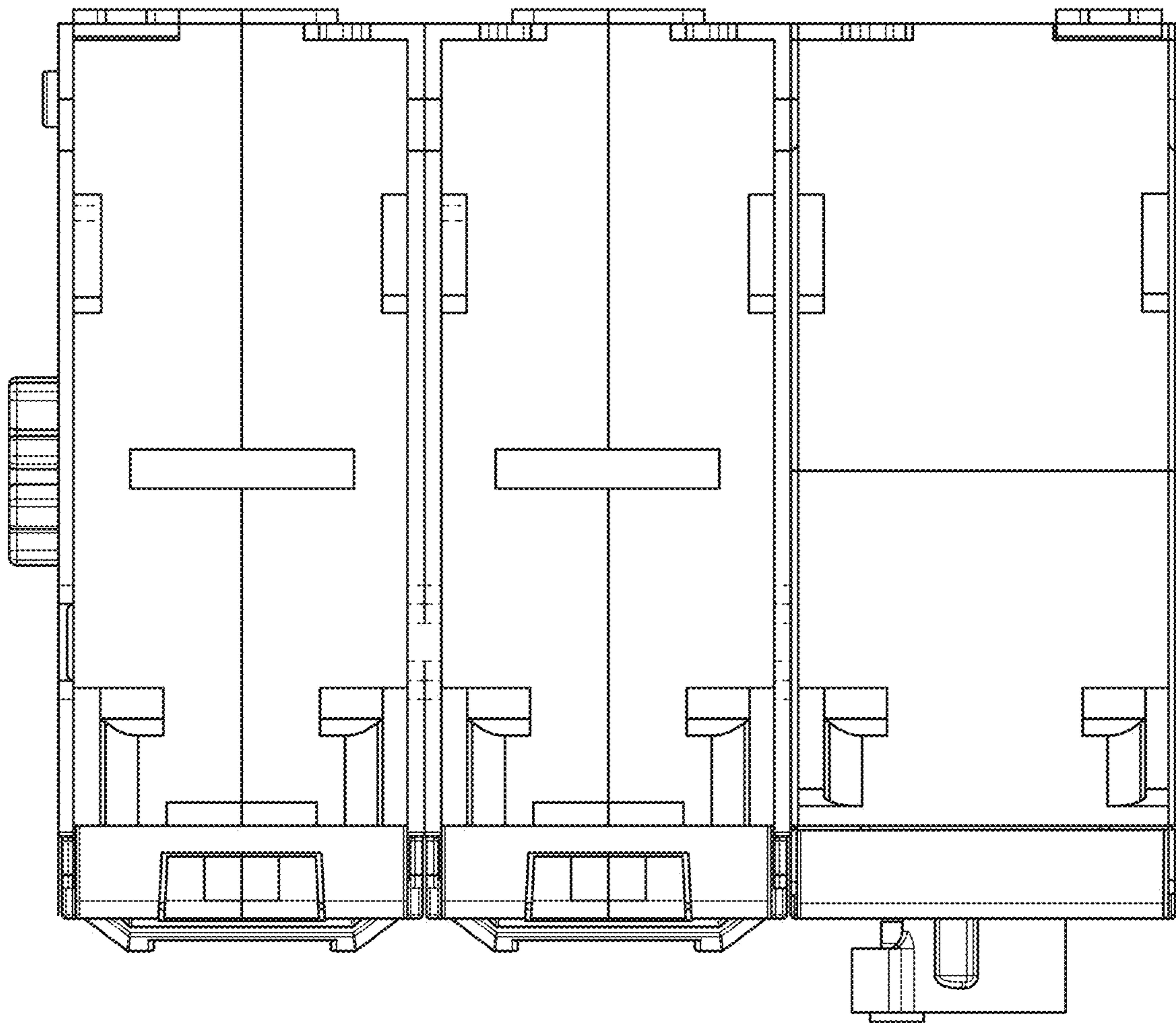


FIG. 20

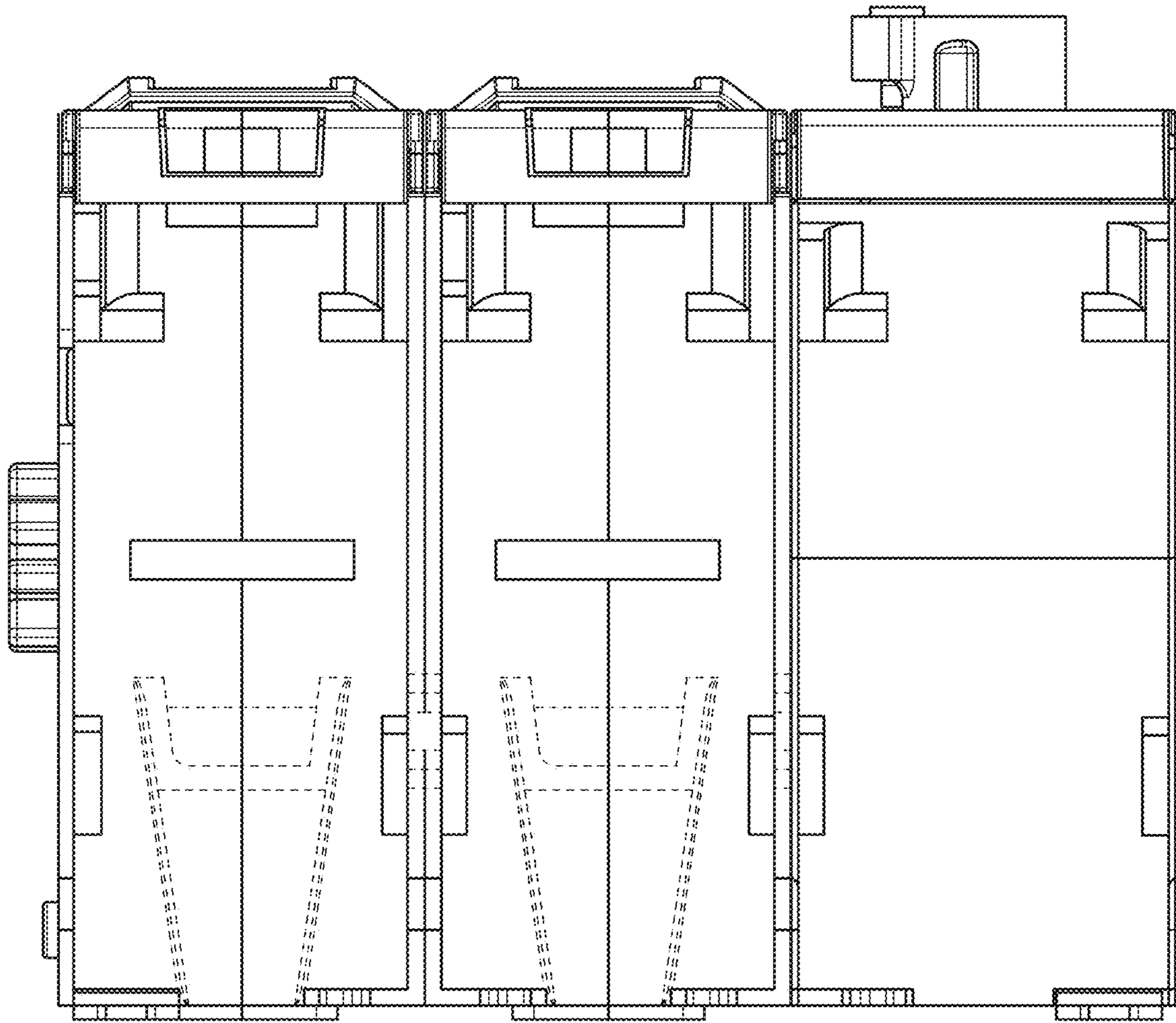


FIG. 21



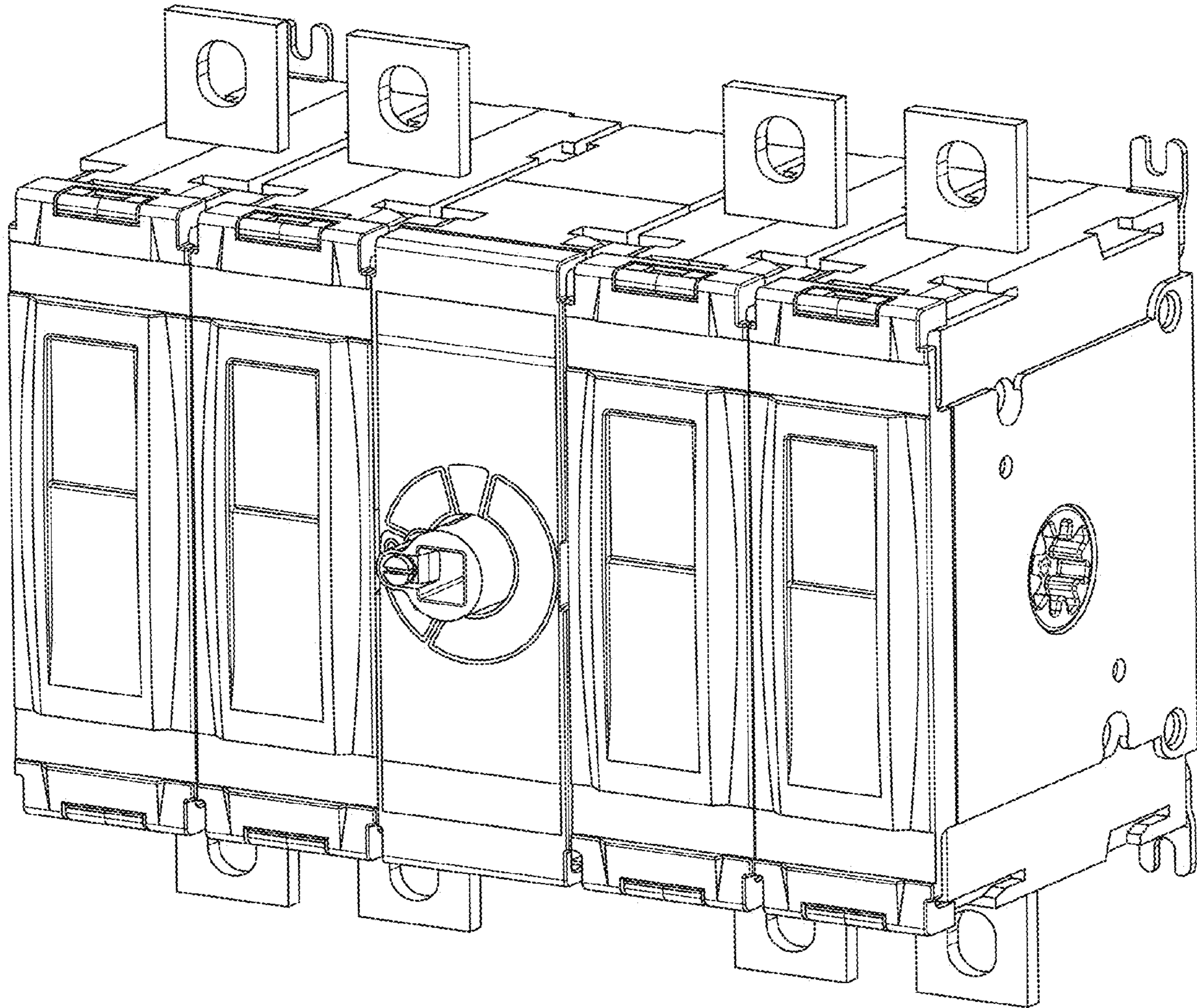


FIG. 22

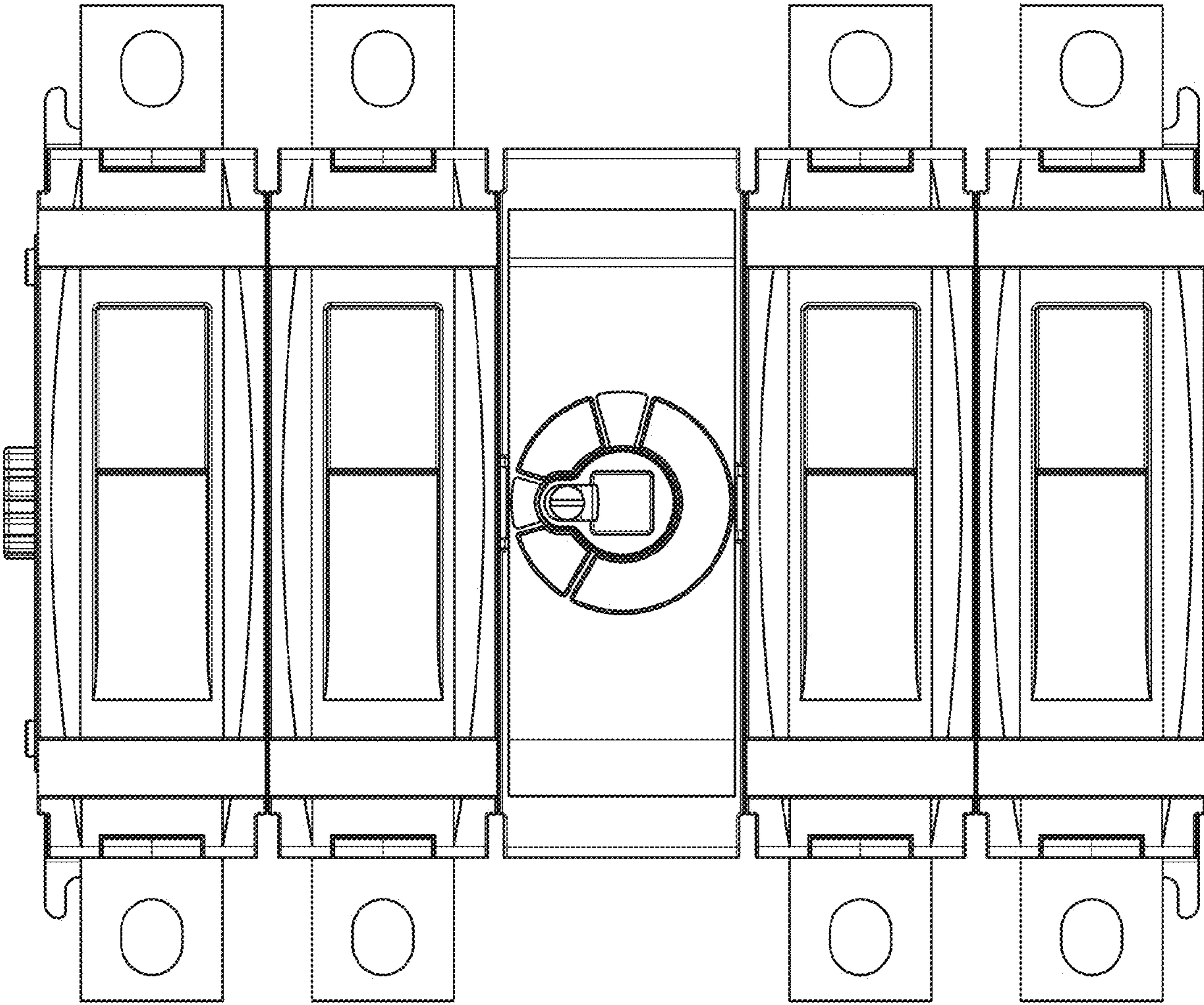


FIG. 23

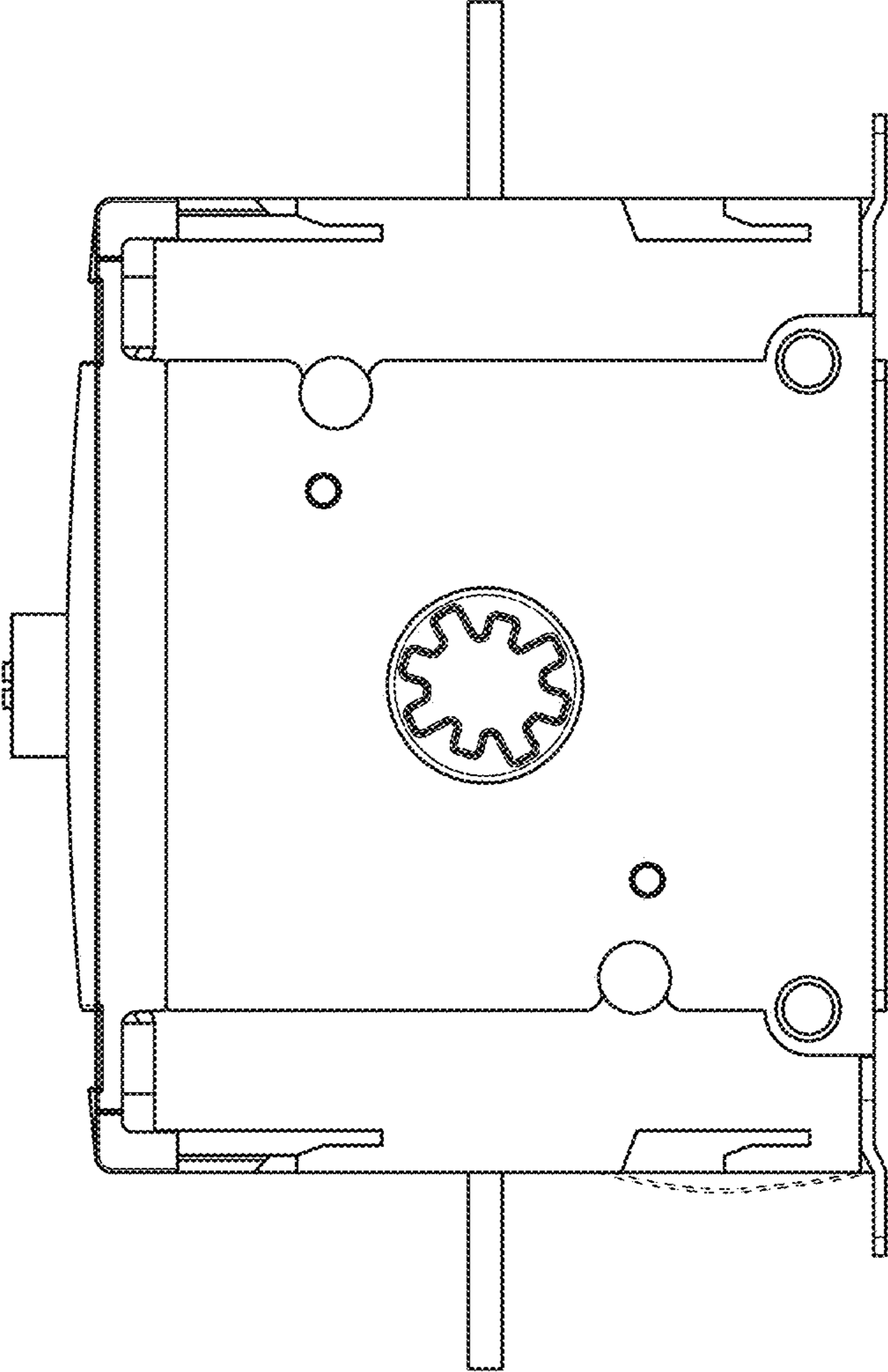


FIG. 24



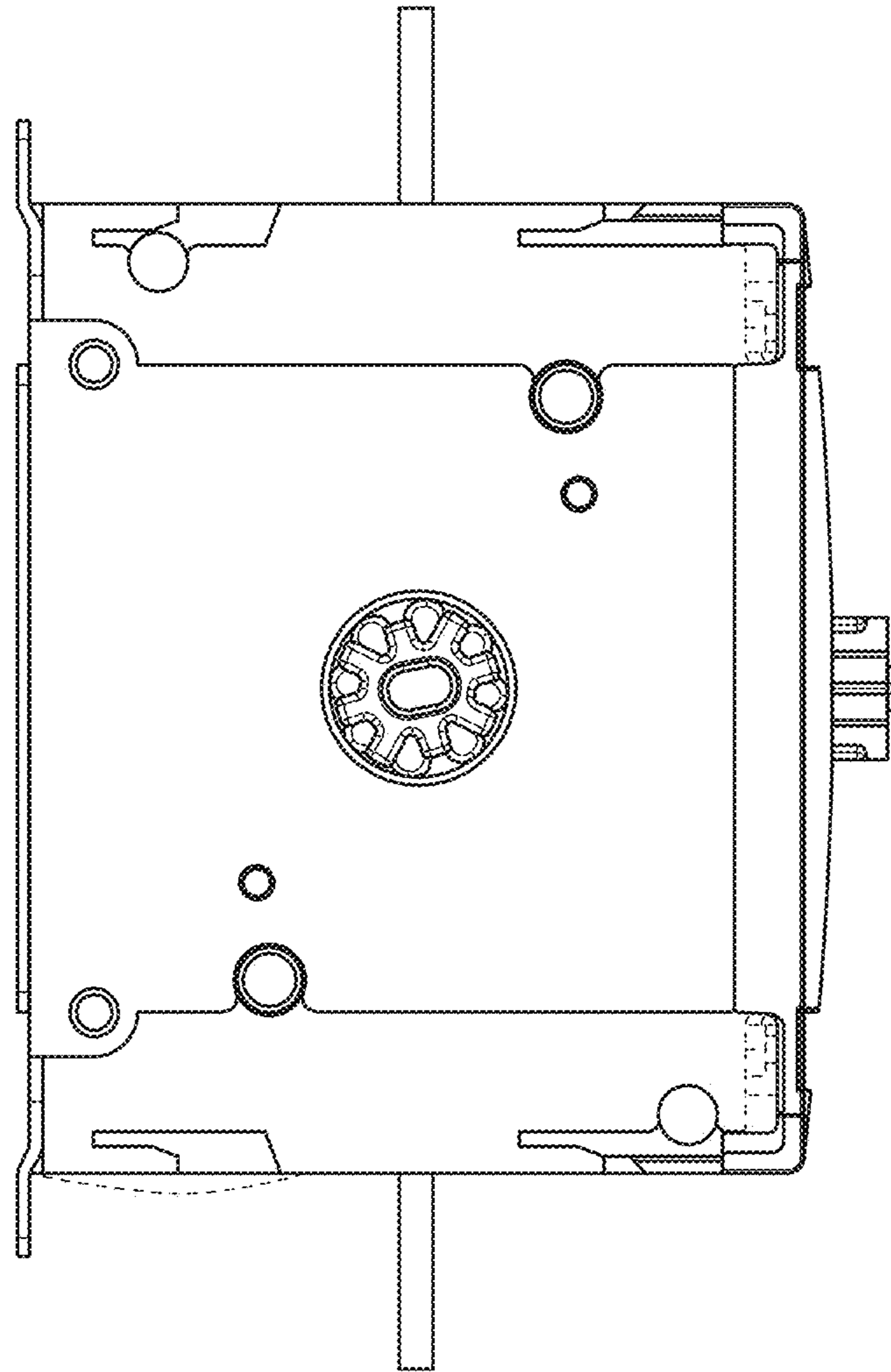


FIG. 25

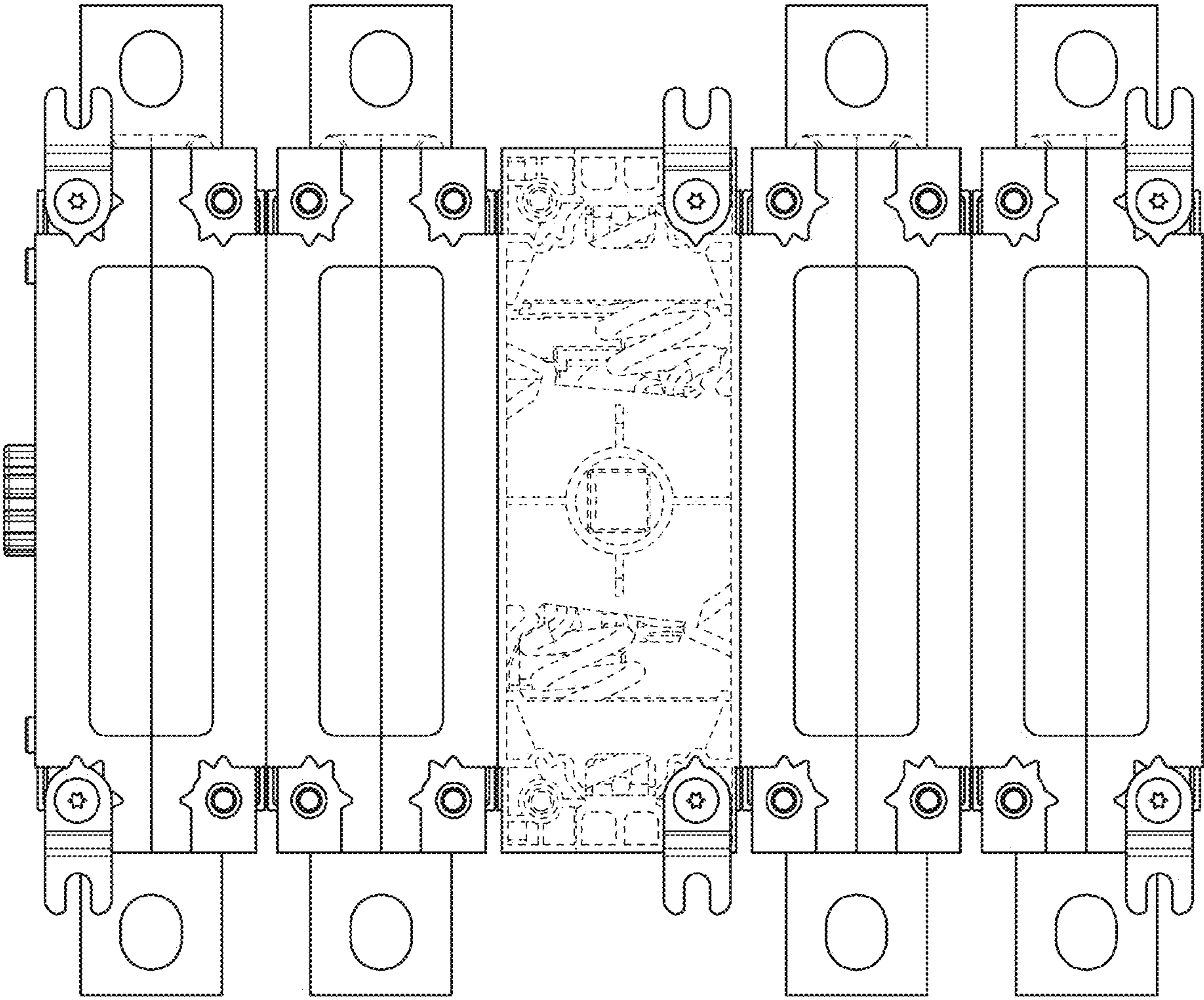


FIG. 26

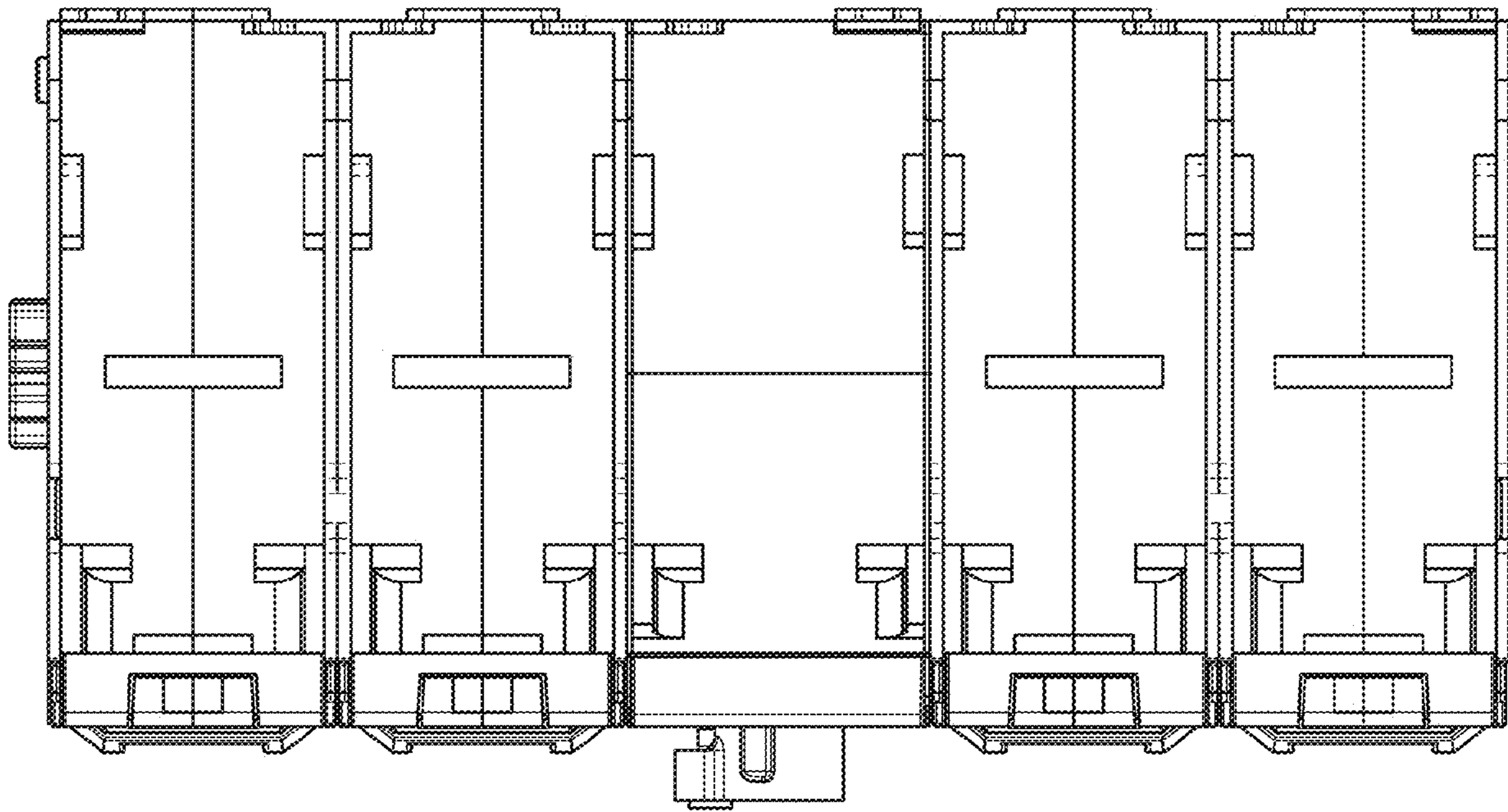


FIG. 27

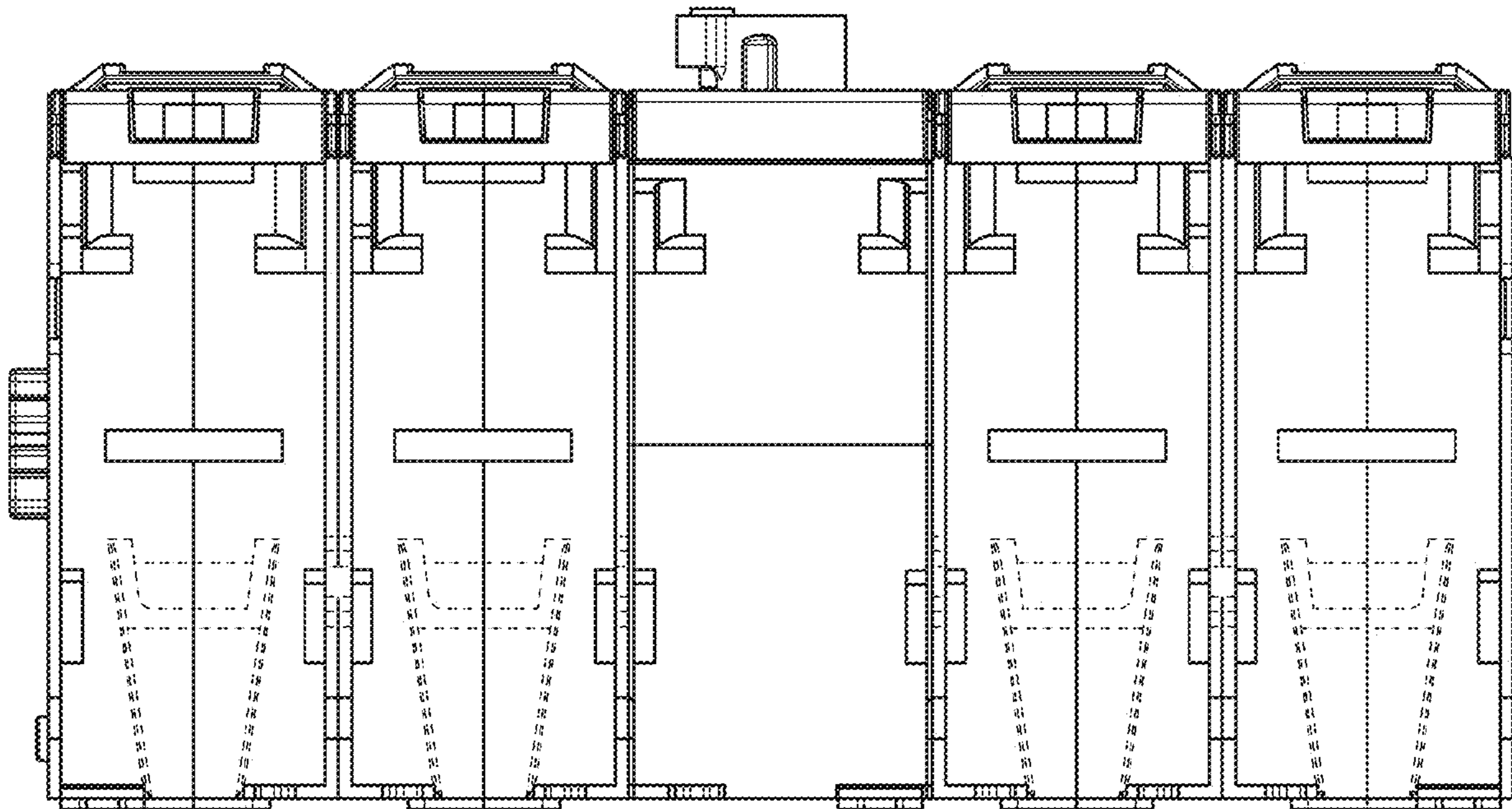


FIG. 28