



US00D937783S

(12) **United States Design Patent** (10) **Patent No.:** **US D937,783 S**  
**Liu** (45) **Date of Patent:** **\*\* Dec. 7, 2021**

(54) **CONNECTOR TERMINALS**

(71) Applicant: **Xiamen Fucon Electronics Company Co., Ltd.**, Fujian (CN)

(72) Inventor: **Junshan Liu**, Fujian (CN)

(73) Assignee: **Xiamen Fucon Electronics Company Co., Ltd.**, Xiamen (CN)

(\*\*) Term: **15 Years**

(21) Appl. No.: **29/740,862**

(22) Filed: **Jul. 8, 2020**

(30) **Foreign Application Priority Data**

Jan. 8, 2020 (CN) ..... 202030011735.0

(51) **LOC (13) Cl.** ..... **13-03**

(52) **U.S. Cl.**  
USPC ..... **D13/146**

(58) **Field of Classification Search**

USPC ..... D13/101, 110, 118, 133, 134, 146, 147,  
D13/154, 184, 199; D14/149, 432, 433  
CPC ..... H01R 9/05; H01R 9/2416; H01R 12/04;  
H01R 12/62; H01R 12/71; H01R 12/727;  
H01R 12/728; H01R 12/7076; H01R  
12/7082; H01R 13/05; H01R 13/20;  
H01R 13/24; H01R 13/501; H01R  
13/514; H01R 4/029; H01R 4/24; H01R  
4/28; H01R 4/48; H01R 4/4818; H01R  
4/4836

See application file for complete search history.

(56) **References Cited**

U.S. PATENT DOCUMENTS

D625,270	S	*	10/2010	Schafmeister	.....	D13/147
D756,304	S	*	5/2016	Wu	.....	D13/146
D756,305	S	*	5/2016	Kollmann	.....	D13/147
D810,693	S	*	2/2018	Rao	.....	D13/147
D826,168	S	*	8/2018	Mastel	.....	D13/147
2016/0006176	A1	*	1/2016	Kollmann	.....	H01R 13/6275 439/346
2016/0352028	A1	*	12/2016	Meyer	.....	H01R 9/2416

\* cited by examiner

*Primary Examiner* — Derrick E Holland

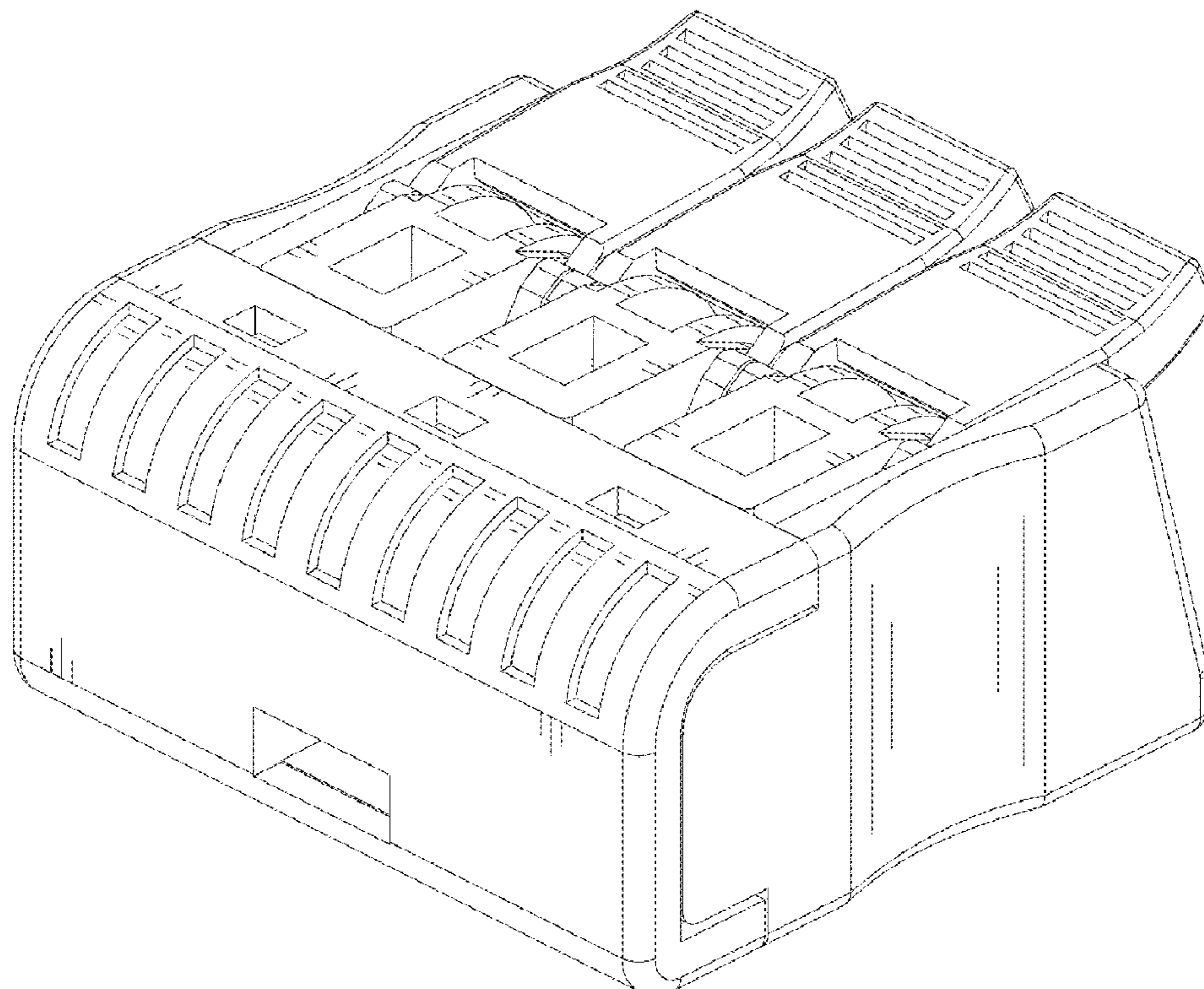
(57) **CLAIM**

The ornamental design for a connector terminals, as shown and described.

**DESCRIPTION**

FIG. 1 is a perspective view of a connector terminals showing my new design;  
FIG. 2 is another perspective view thereof;  
FIG. 3 is a front view thereof;  
FIG. 4 is a rear view thereof;  
FIG. 5 is a left side view thereof;  
FIG. 6 is a right side view thereof;  
FIG. 7 is a top plan view thereof; and,  
FIG. 8 is a bottom plan view thereof.  
The broken lines shown represent the portions of the connector terminals that form no part of the claimed design.

**1 Claim, 8 Drawing Sheets**



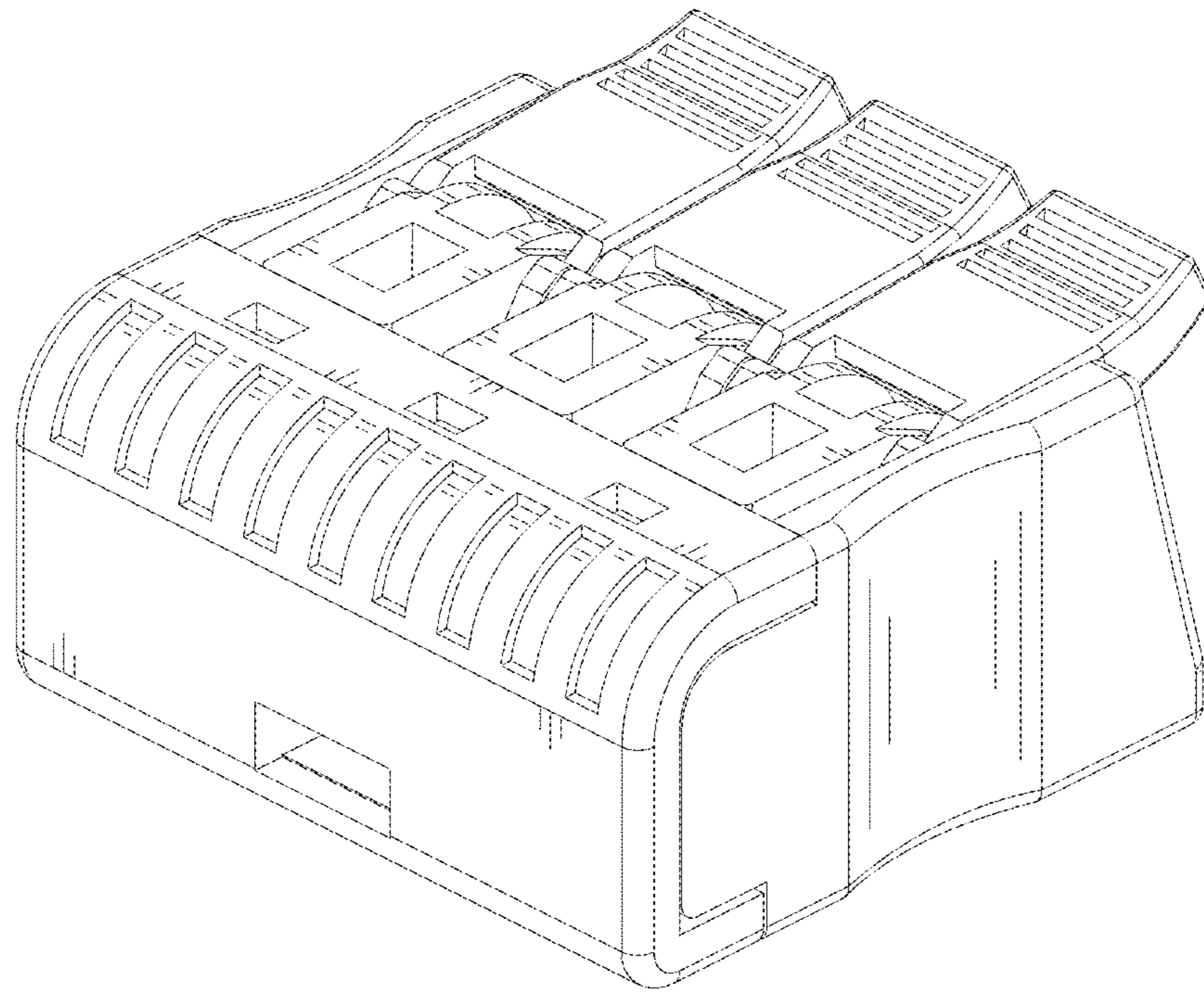


FIG. 1

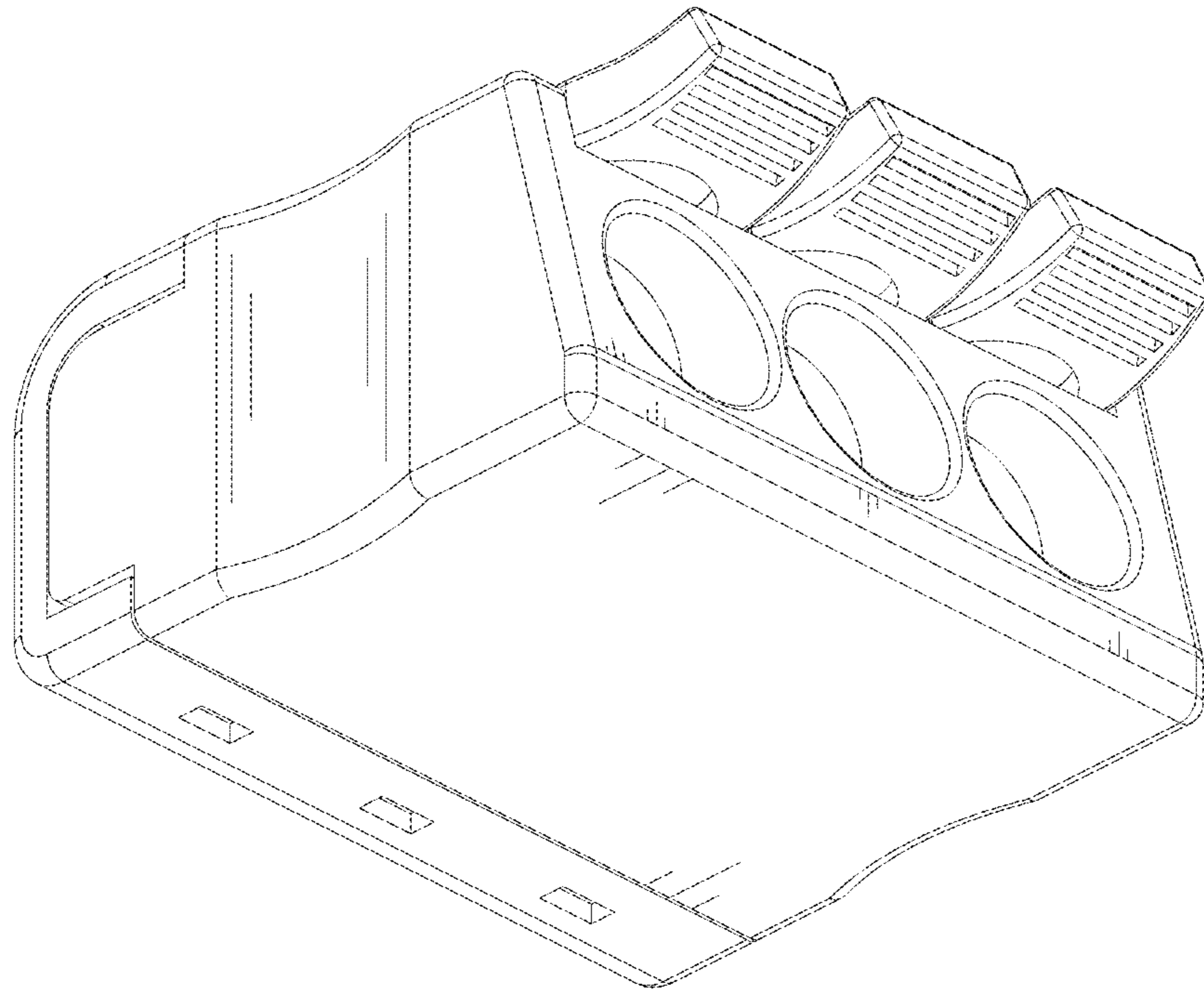


FIG. 2

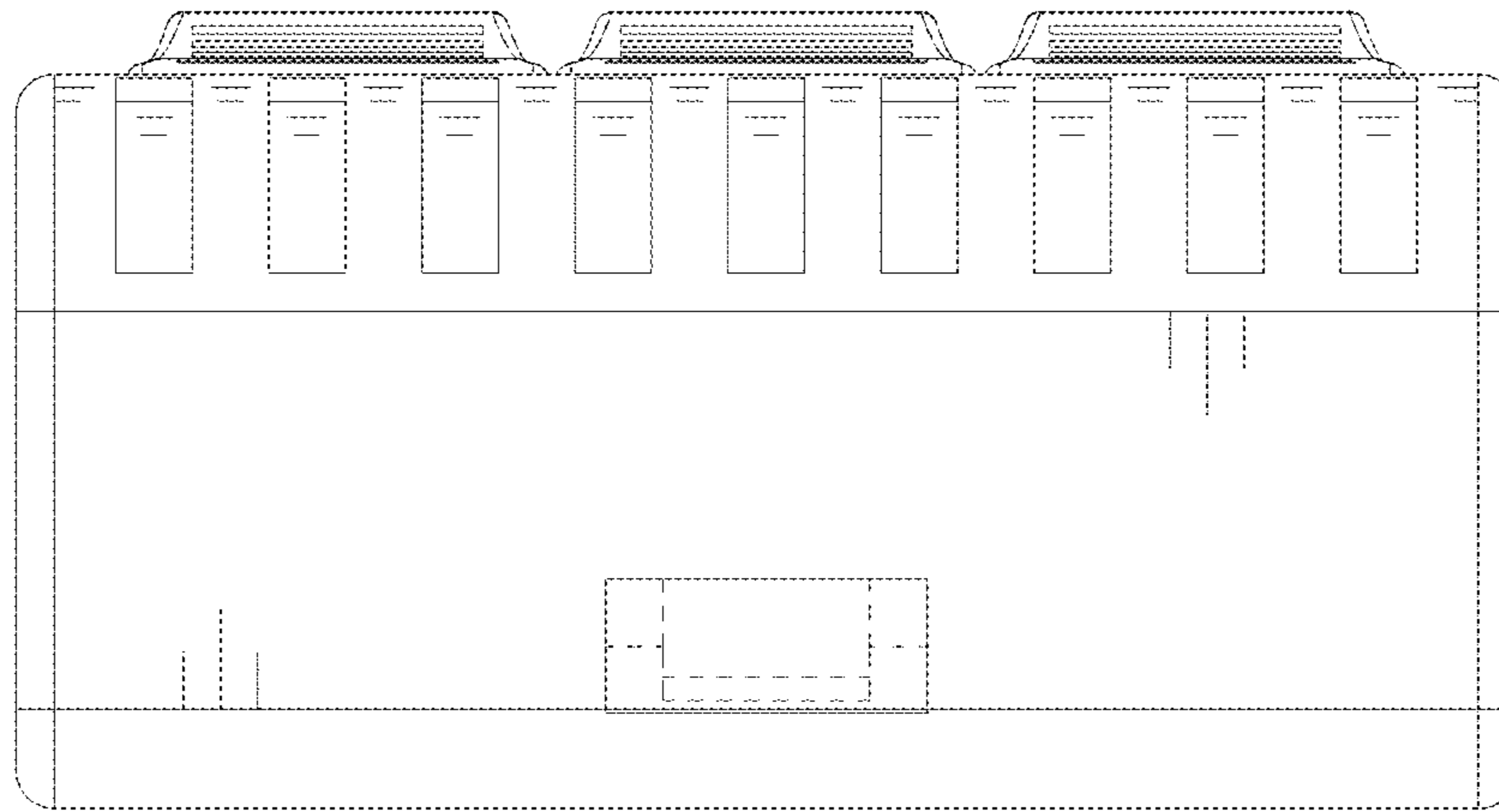


FIG. 3

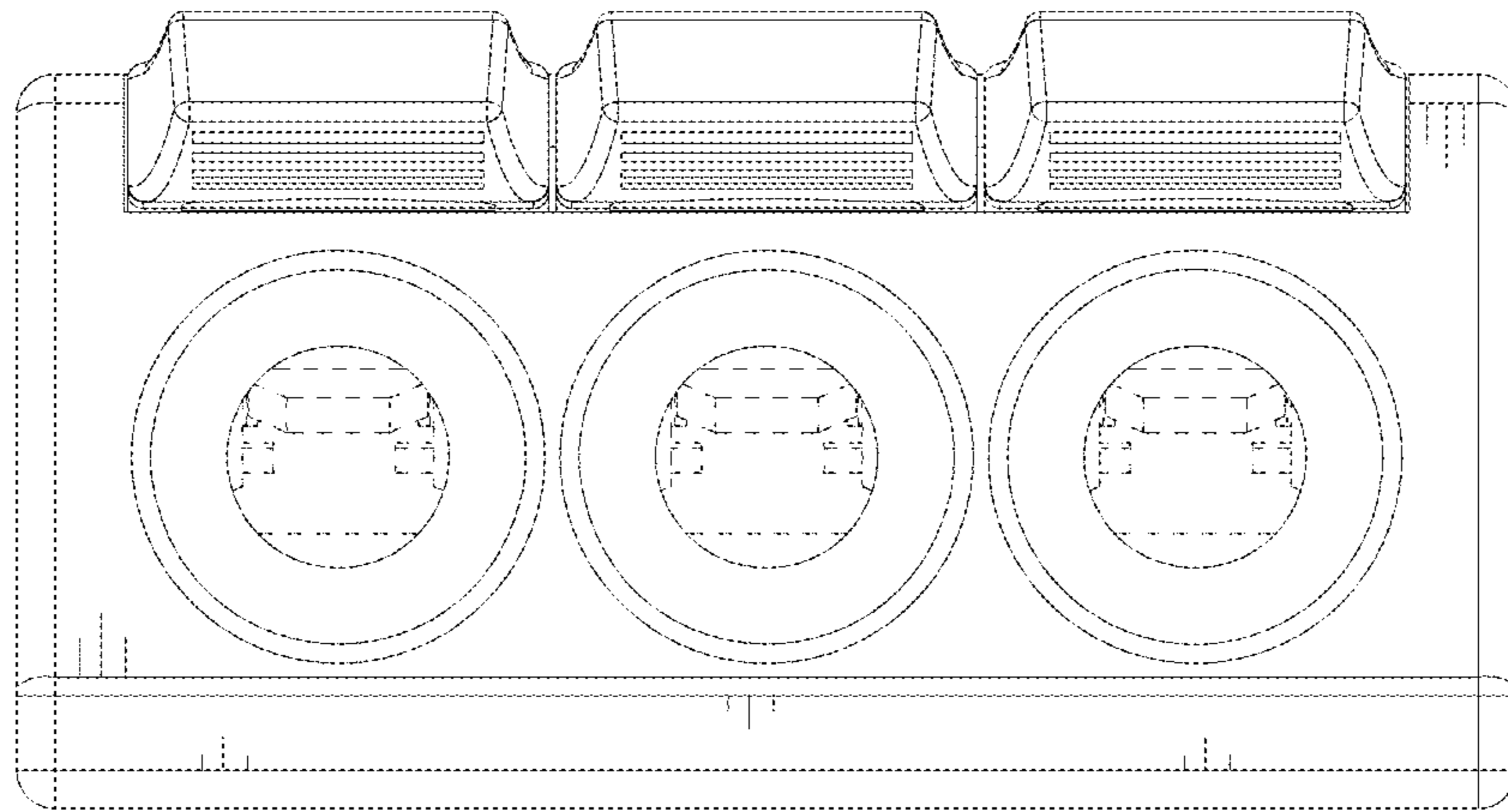


FIG. 4

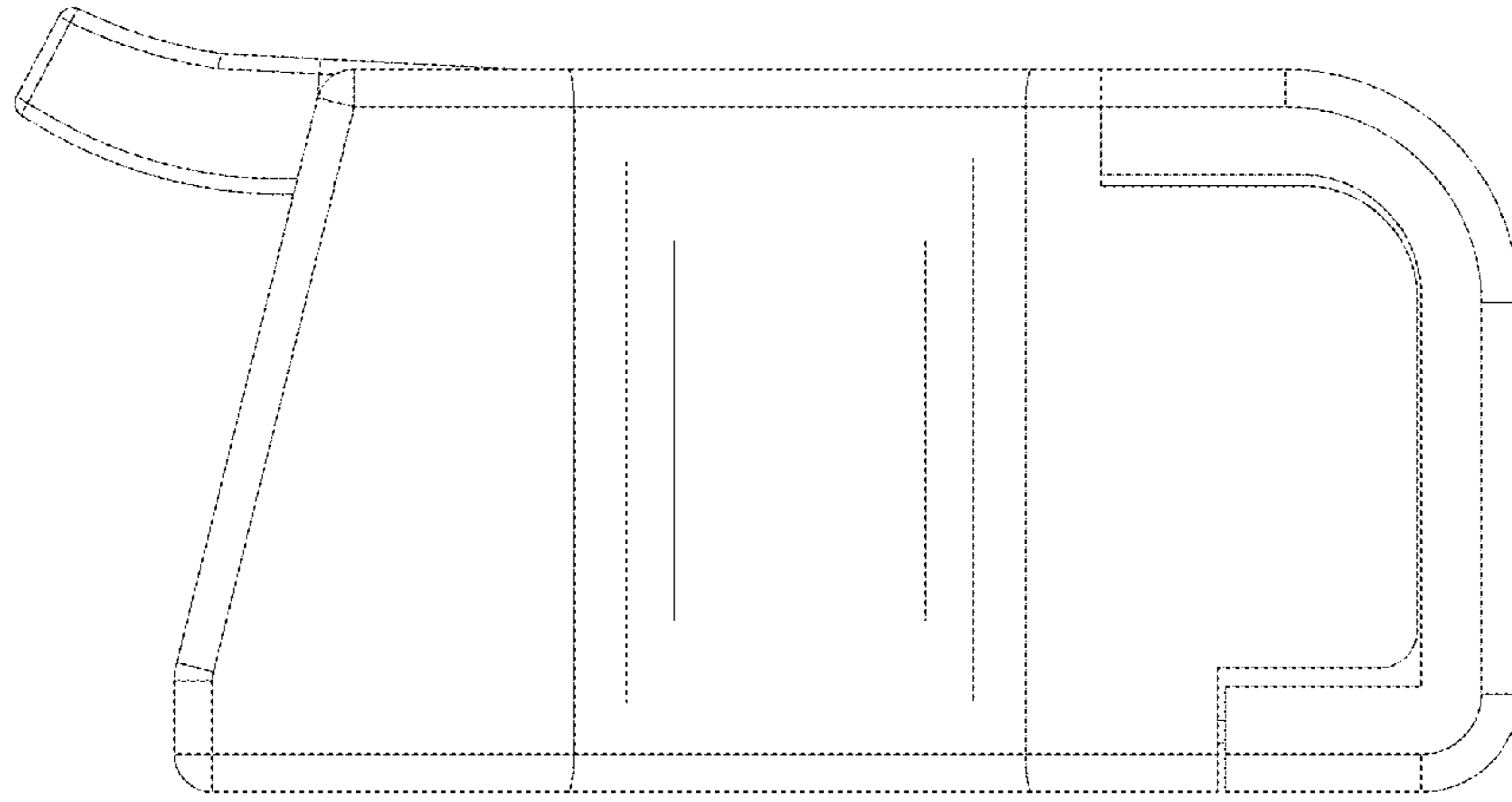


FIG. 5

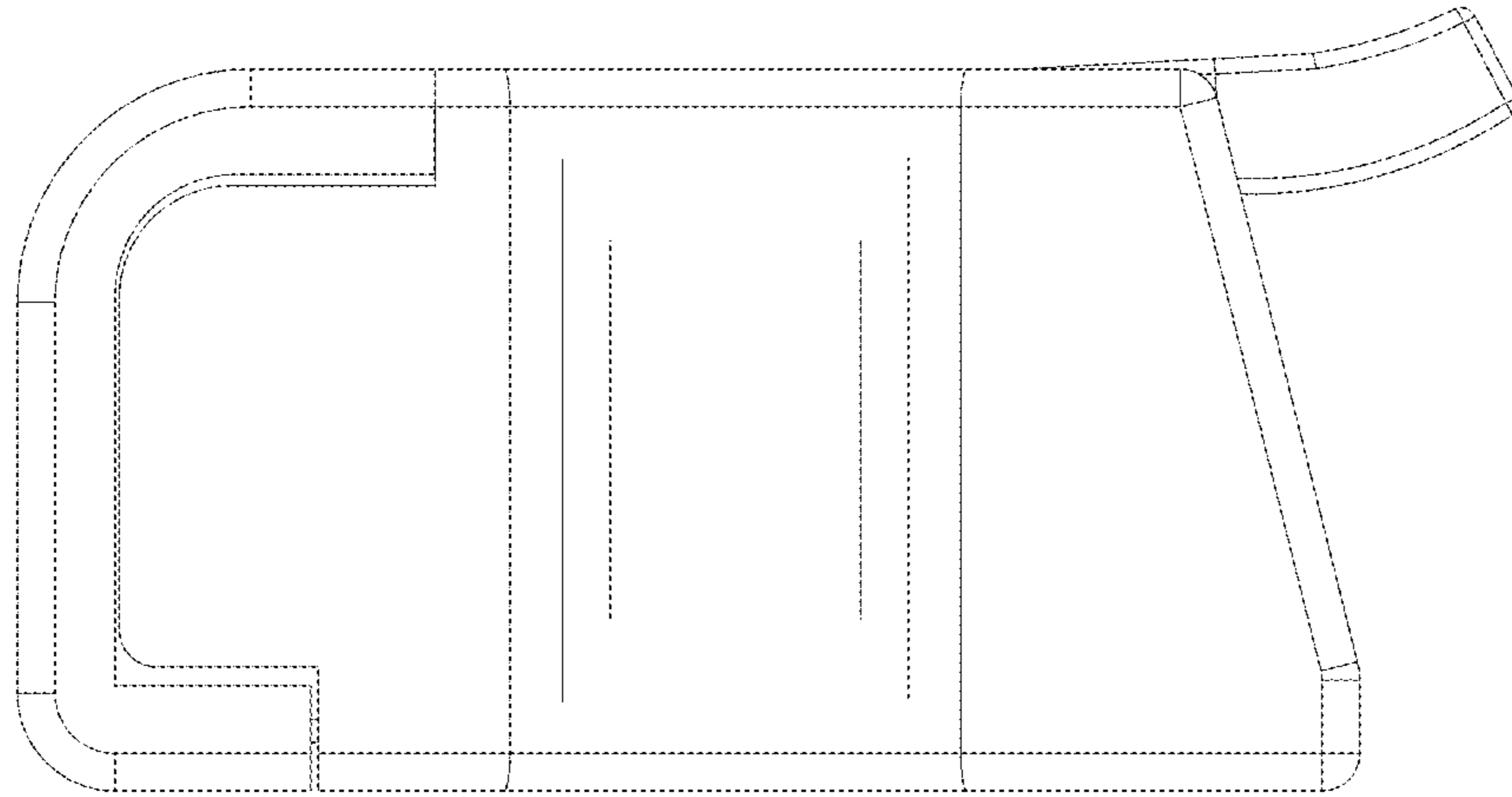


FIG. 6

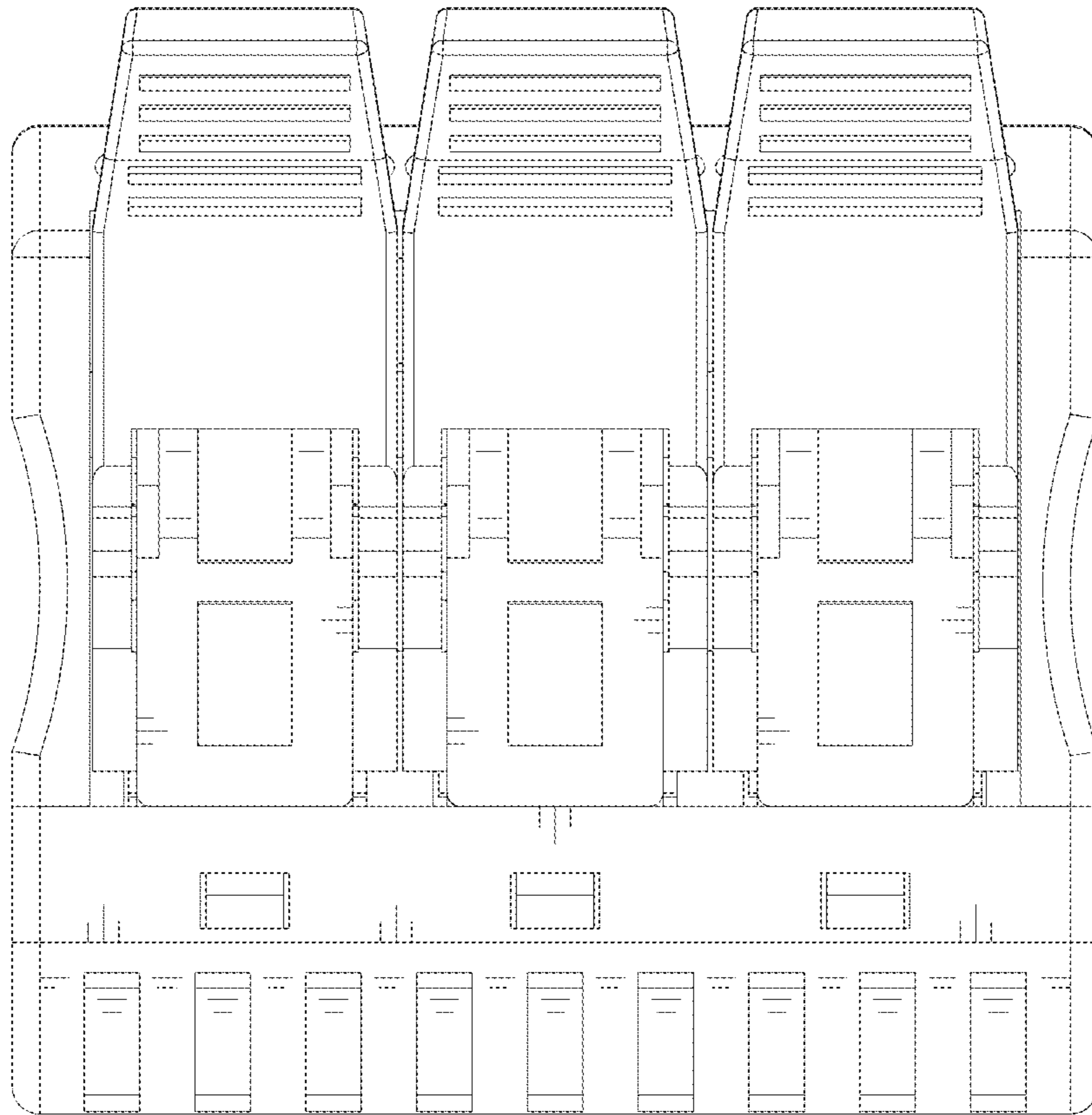


FIG. 7



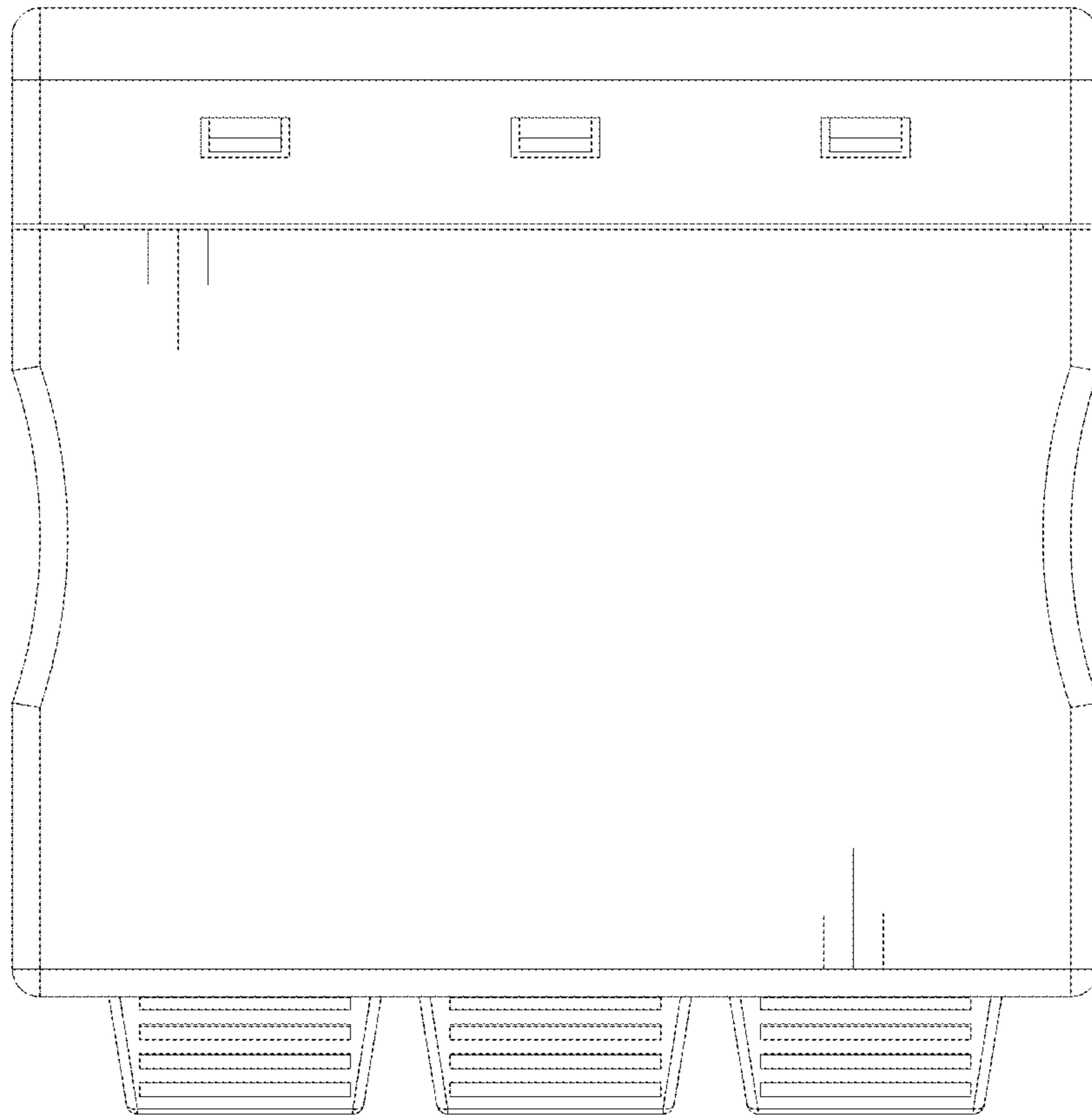


FIG. 8