



US00D937782S

(12) **United States Design Patent** (10) **Patent No.:** **US D937,782 S**
Salman (45) **Date of Patent:** **** Dec. 7, 2021**

(54) **STEREO CONNECTOR**
(71) Applicant: **Switchcraft, Inc.**, Chicago, IL (US)
(72) Inventor: **Nizar Salman**, Wheeling, IL (US)
(73) Assignee: **Switchcraft, Inc.**, Chicago, IL (US)
(**) Term: **15 Years**
(21) Appl. No.: **29/648,541**
(22) Filed: **May 22, 2018**
(51) **LOC (13) Cl.** **13-03**
(52) **U.S. Cl.**
USPC **D13/146**
(58) **Field of Classification Search**
USPC D13/110, 118, 120, 121, 123, 133, 146,
D13/147, 149, 151, 153, 154, 173, 184,
D13/199
CPC H01R 13/00; H01R 13/40; H01R 13/648;
H01R 13/658; H01R 13/6581; H01R
24/00; H01R 24/04
See application file for complete search history.

(56) **References Cited**

U.S. PATENT DOCUMENTS

4,361,375 A * 11/1982 Bailey H01R 13/6395
439/357
4,392,708 A * 7/1983 Bailey H01R 24/58
439/188
4,588,854 A * 5/1986 Bailey H05K 7/12
174/535
D345,546 S * 3/1994 Lin D13/133
D497,428 S * 10/2004 Hayamizu D24/129
D558,144 S * 12/2007 Chien D13/133
D749,510 S * 2/2016 Liu D13/108
D826,862 S * 8/2018 Salman D13/146
D910,556 S * 2/2021 Huang D13/110
2007/0128949 A1 * 6/2007 Cooper H01R 13/7039
439/668

2013/0244497 A1* 9/2013 Zhang H01R 24/58
439/676
2013/0244498 A1* 9/2013 Zhang H01R 13/40
439/676
2017/0229888 A1* 8/2017 Liu A24F 40/90

OTHER PUBLICATIONS

Radial Engineering ProRMP Studio Re-Amper Passive Re-Amping Direct Box, dated Apr. 6, 2006, [online], [site visited May 3, 2021]. Available from Internet, URL: <https://www.amazon.com/Radial-Engineering-Re-Amper-Passive-Re-Amping/dp/B000H28JBS> (Year: 2006).*

Whirlwind IMP 2 Standard Direct Box, dated Oct. 2, 2001, [online], [site visited May 3, 2021]. Available from Internet, URL: <https://www.amazon.com/Whirlwind-1-channel-Passive-Instrument-Direct/dp/B0002DUQ72> (Year: 2001).*

(Continued)

Primary Examiner — Shawn T Gingrich
(74) *Attorney, Agent, or Firm* — Polsinelli PC

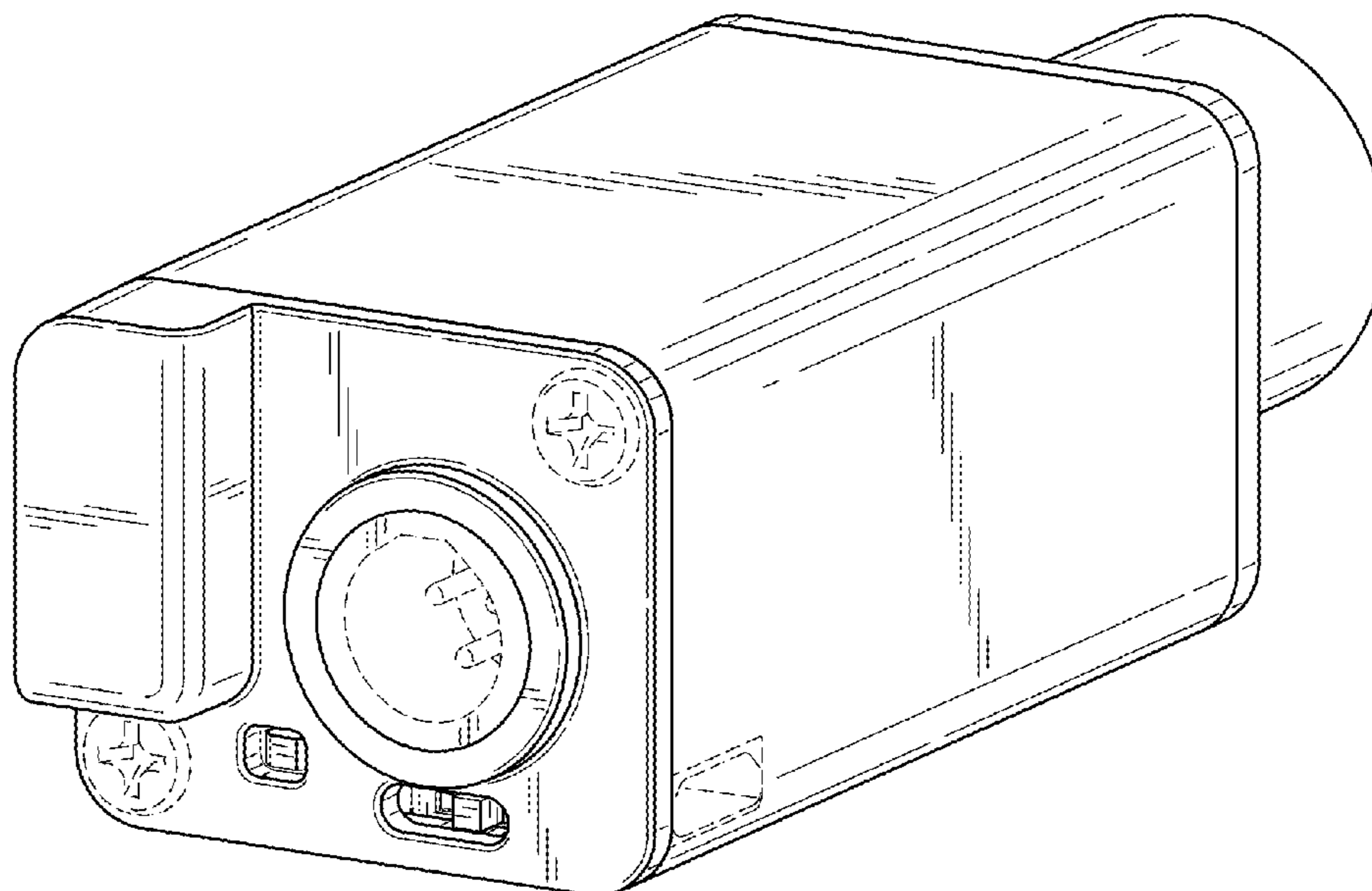
(57) **CLAIM**

The ornamental design for a stereo connector, as shown and described.

DESCRIPTION

FIG. 1 is a perspective view of the stereo connector; FIG. 2 is a front view of the stereo connector; FIG. 3 is a rear view of the stereo connector; FIG. 4 is a first side view of the stereo connector; FIG. 5 is a second side view of the stereo connector; FIG. 6 is a top view of the stereo connector; and, FIG. 7 is a bottom view of the stereo connector. The broken lines showing in the figures are included for the purpose of illustrating portions of the stereo connector that form no part of the claimed design.

1 Claim, 4 Drawing Sheets



(56)

References Cited

OTHER PUBLICATIONS

Radial IceCube IC-1 Line Isolator, dated Jul. 10, 2020, [online], [site visited May 3, 2021]. Available from Internet, URL: <https://www.sweetwater.com/store/detail/IceCube--radial-icecube-ic-1-line-isolator> (Year: 2020).*

* cited by examiner

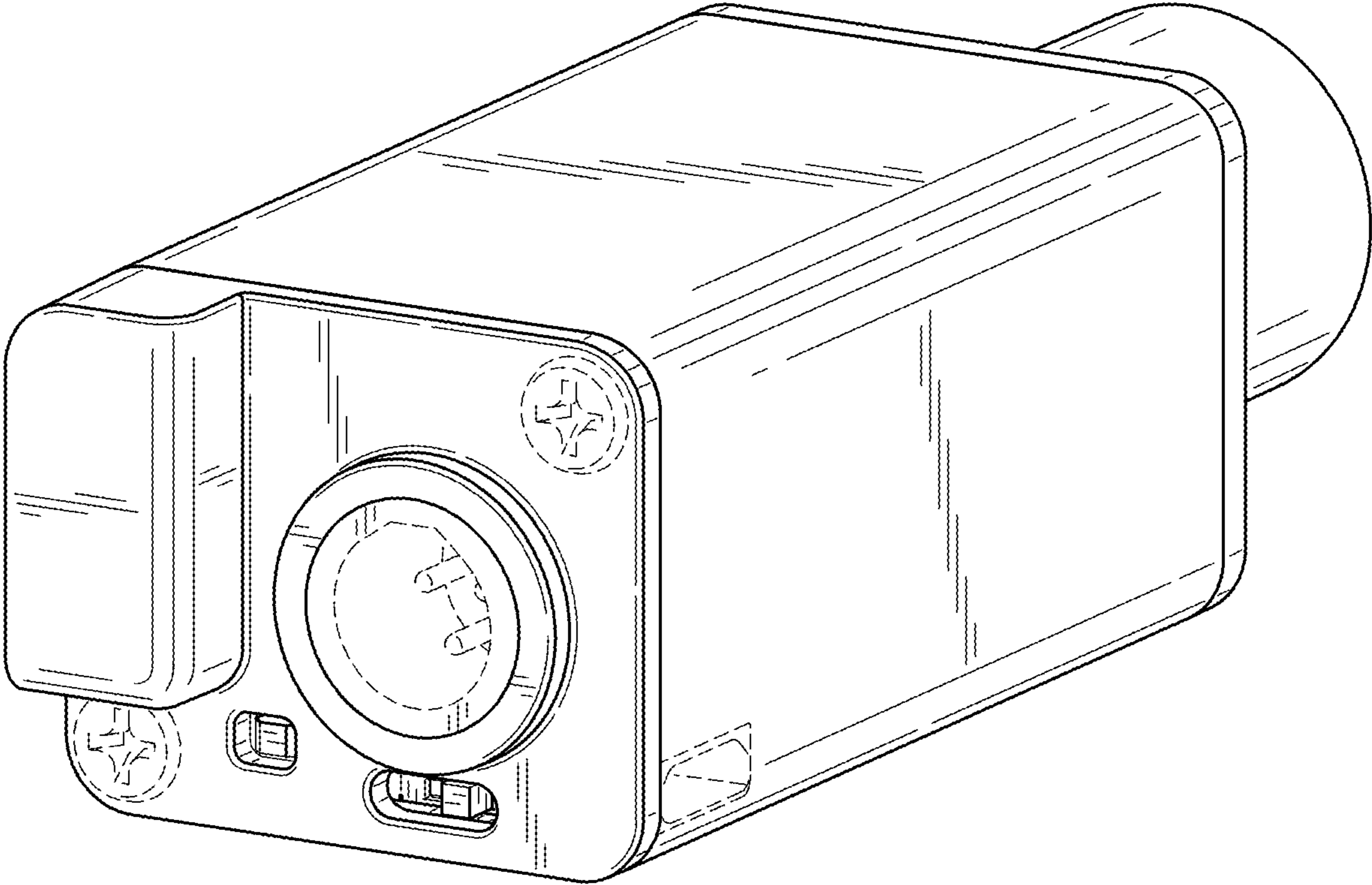


FIG. 1

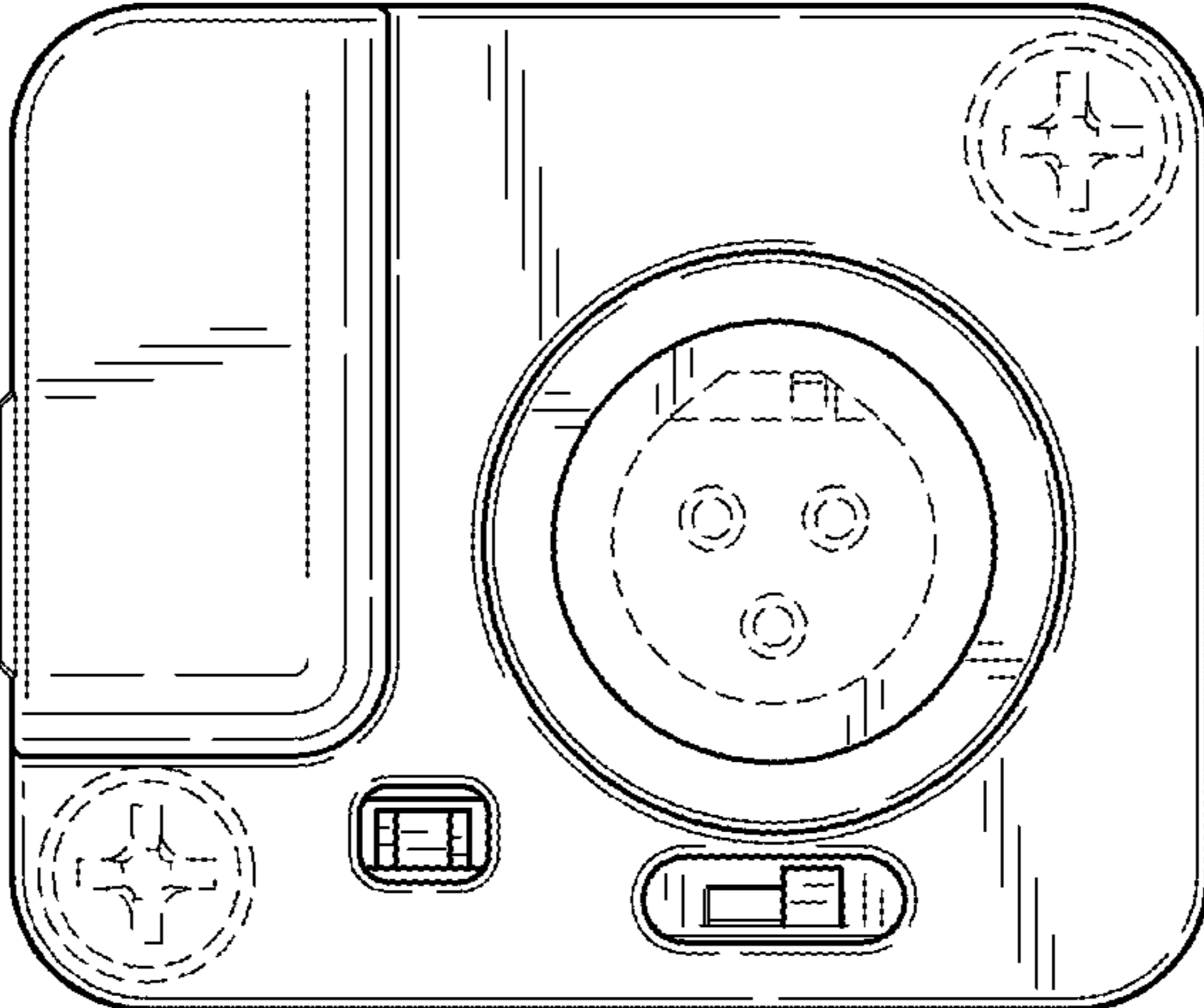


FIG. 2

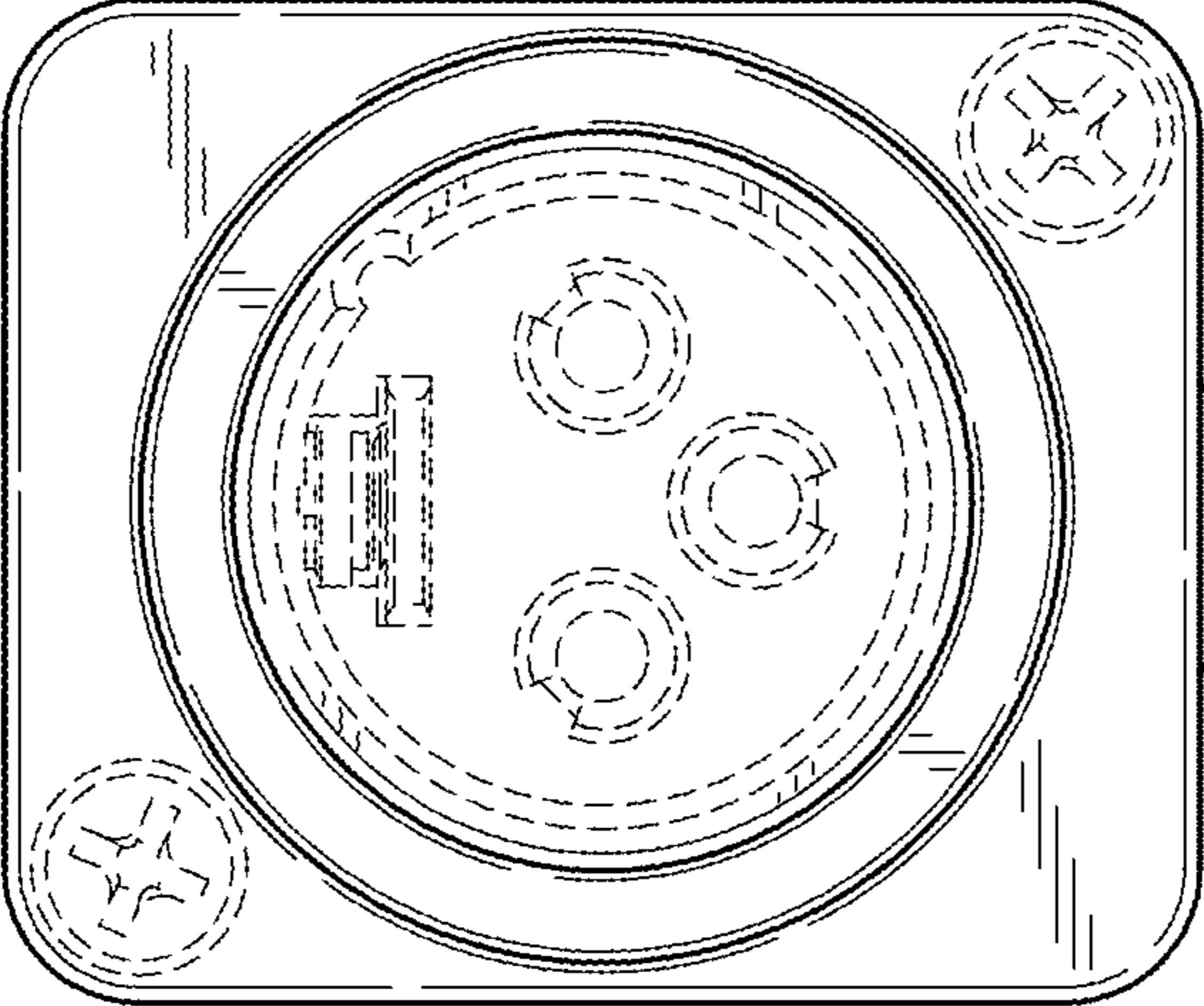


FIG. 3

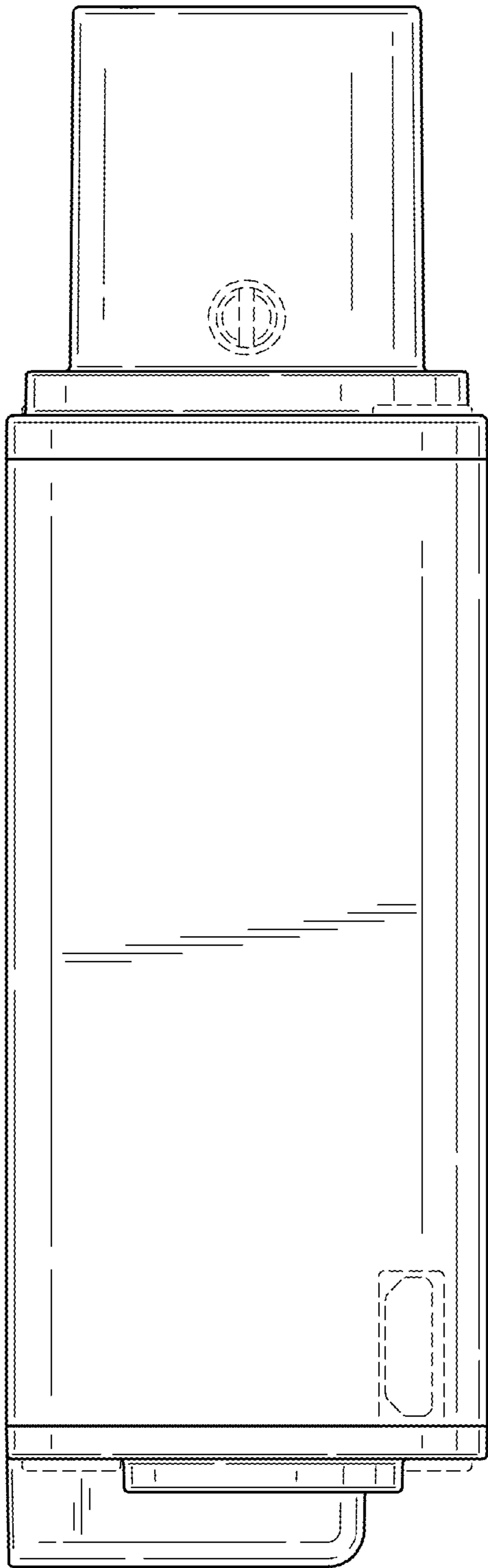


FIG. 4

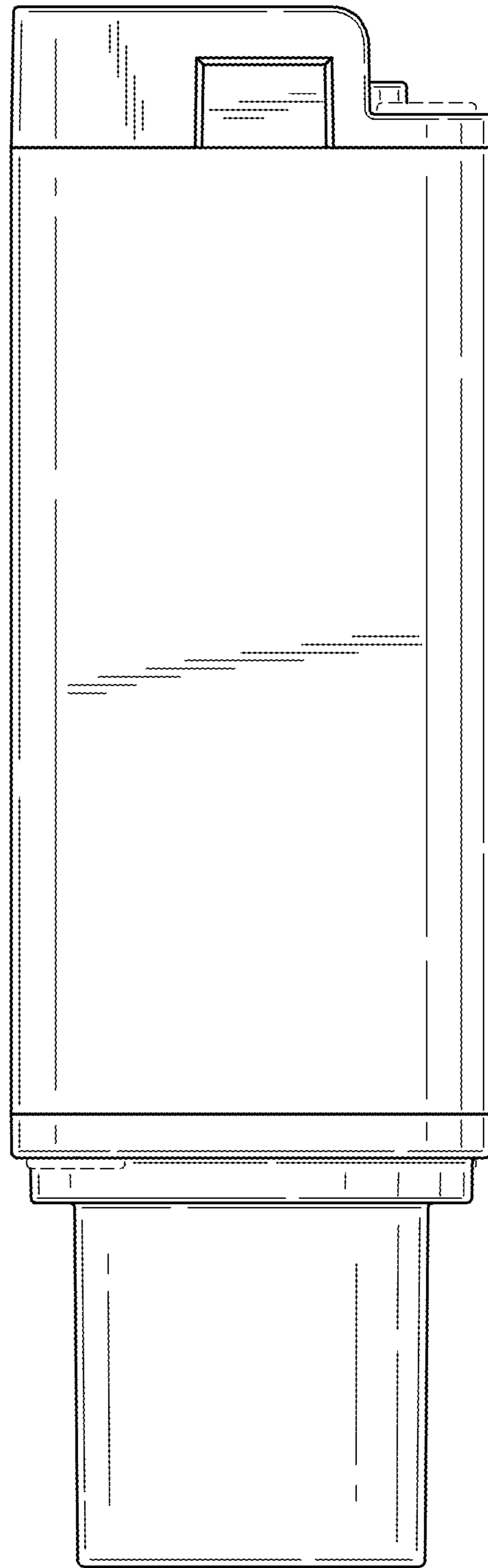


FIG. 5

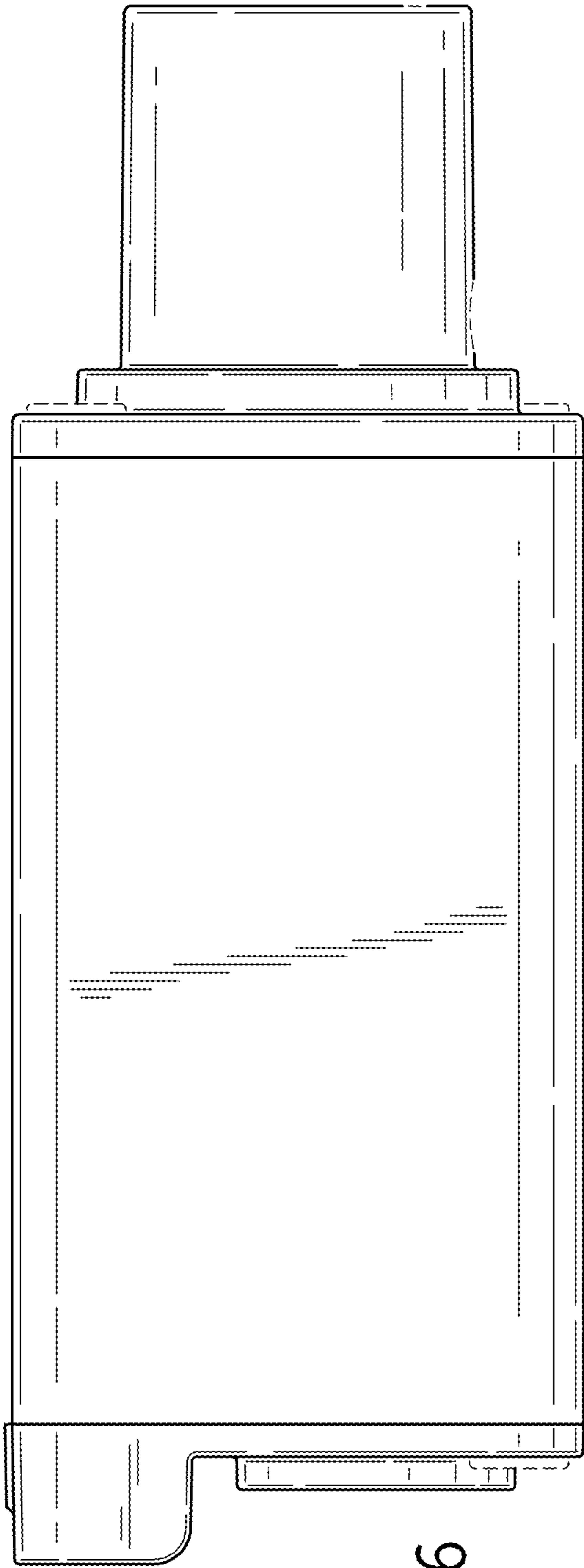


FIG. 6

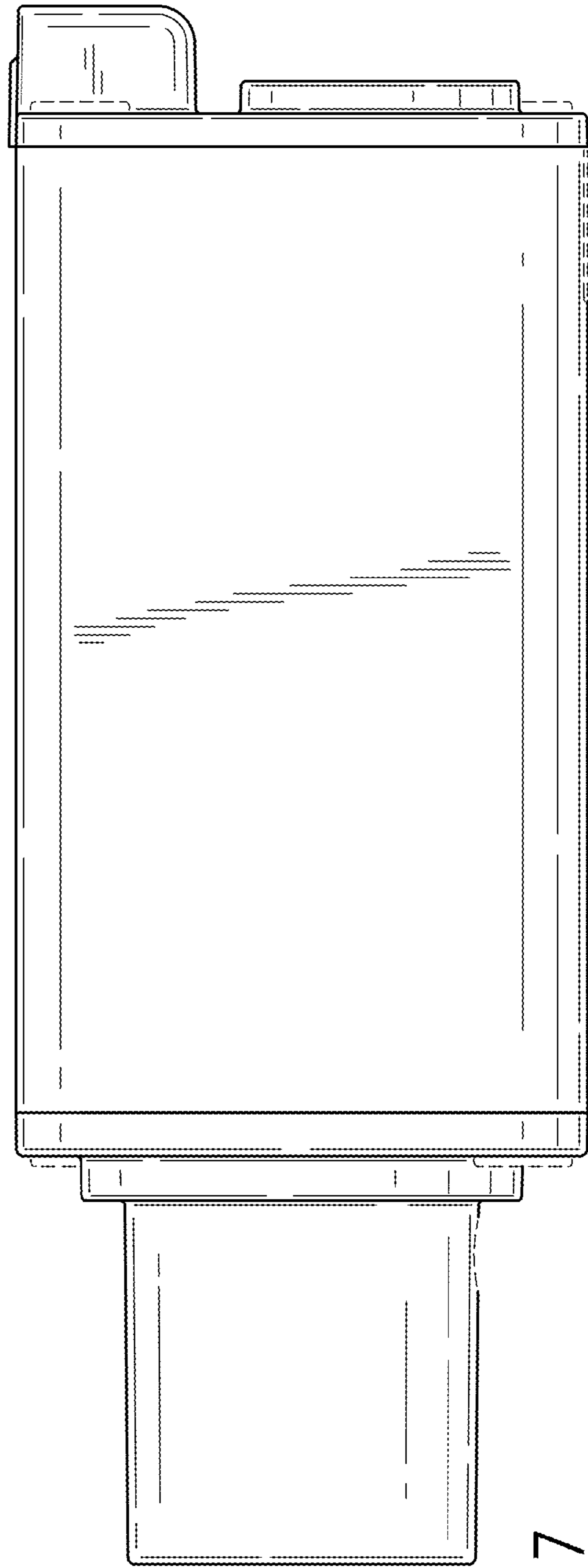


FIG. 7